



US00D428832S

# United States Patent [19]

[11] Patent Number: **Des. 428,832**

**Matthies**

[45] Date of Patent: **\*\* Aug. 1, 2000**

[54] **OUTER CAM COVER FOR MOTORCYCLE ENGINE**

*Primary Examiner*—Alan P. Douglas  
*Assistant Examiner*—Linda Brooks  
*Attorney, Agent, or Firm*—Andrew M. Hassell

[76] Inventor: **Lawayne L. Matthies**, 1888 Mountain Creek Pkwy. South, Dallas, Tex. 75211

[57] **CLAIM**

[\*\*] Term: **14 Years**

The ornamental design for an outer cam cover for motorcycle engine, as shown and described.

[21] Appl. No.: **29/098,988**

**DESCRIPTION**

[22] Filed: **Jan. 11, 1999**

[51] **LOC (7) Cl.** ..... **12-11**

FIG. 1 is a front view of the outer cam cover for motorcycle engine according to the invention;

[52] **U.S. Cl.** ..... **D12/126**

FIG. 2 is a top view of the outer cam cover for motorcycle engine according to the invention;

[58] **Field of Search** ..... D12/110, 114, D12/126; 180/219; 123/90.37, 90.38, 195 C; 280/288.4; D15/5

FIG. 3 is a left side view of the outer cam cover for motorcycle engine according to the invention;

[56] **References Cited**

**U.S. PATENT DOCUMENTS**

D. 349,079 7/1994 Matthies ..... D12/126  
5,692,466 12/1997 Hausmann et al. .... 123/195 C

FIG. 4 is a right side view of the outer cam cover for motorcycle engine according to the invention;

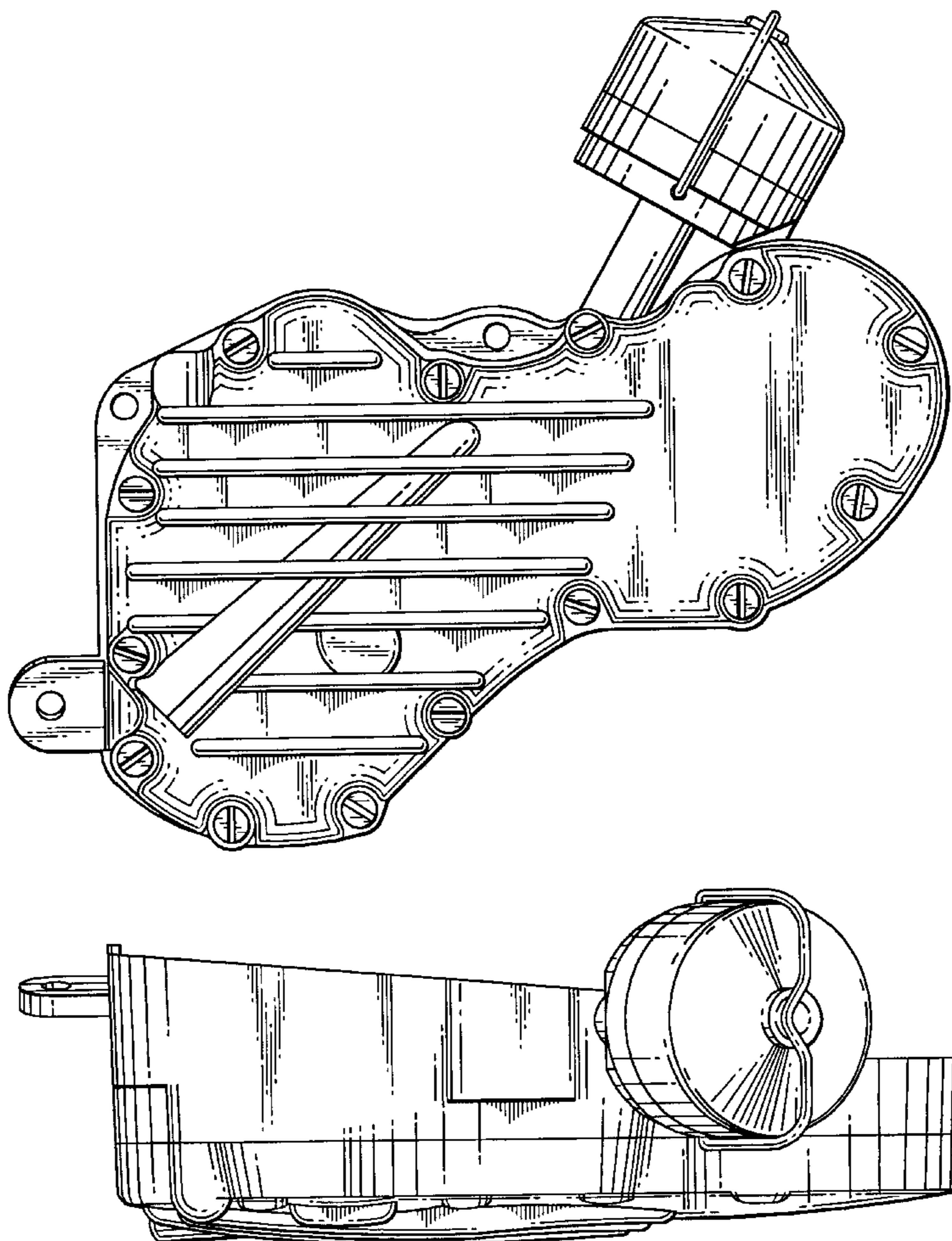
FIG. 5 is a back view of the outer cam cover for motorcycle engine according to the invention; and,

**OTHER PUBLICATIONS**

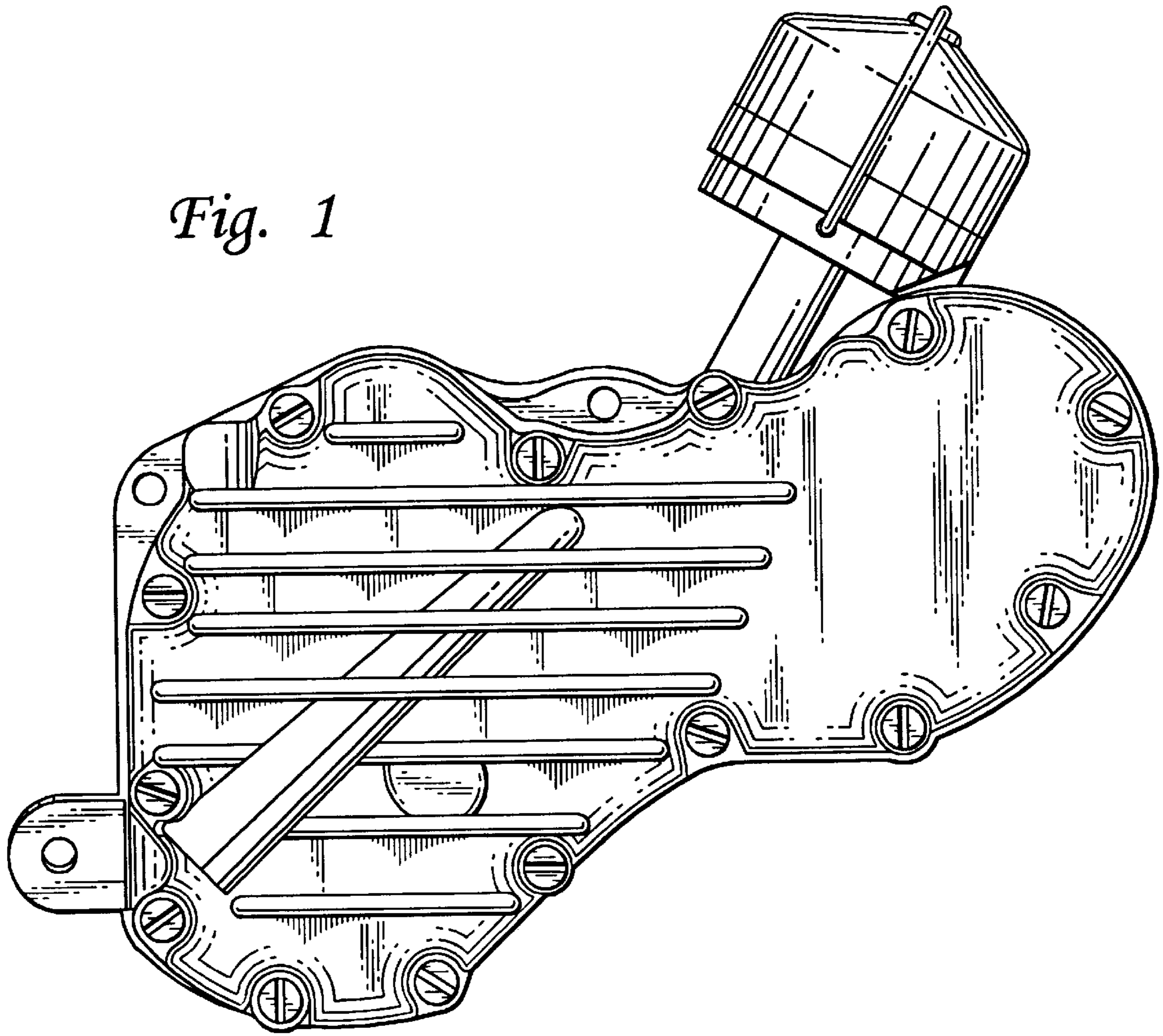
Drag Specialties, engine covers on pp. 495 and 496 Drag Specialties, 1987.  
Drag Specialties, cam covers on p. 207, 1995.

FIG. 6 is a bottom view of the outer cam cover for motorcycle engine according to the invention.

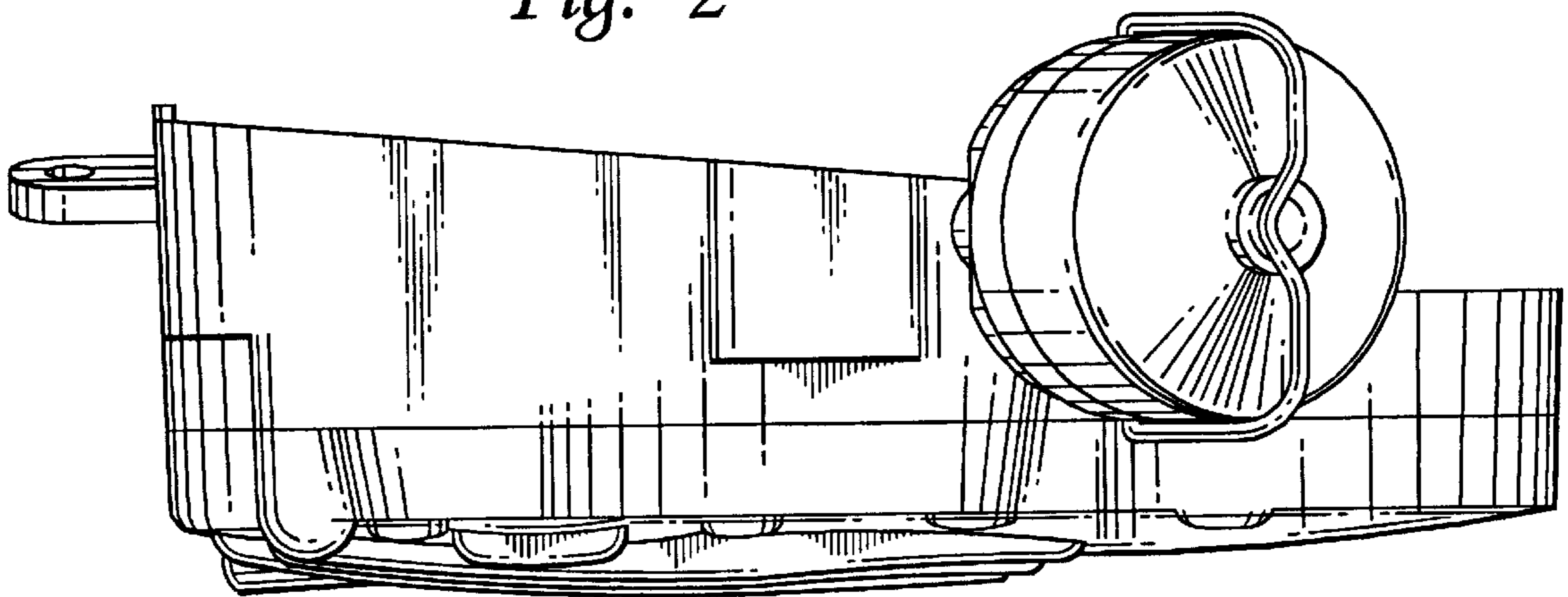
**1 Claim, 3 Drawing Sheets**

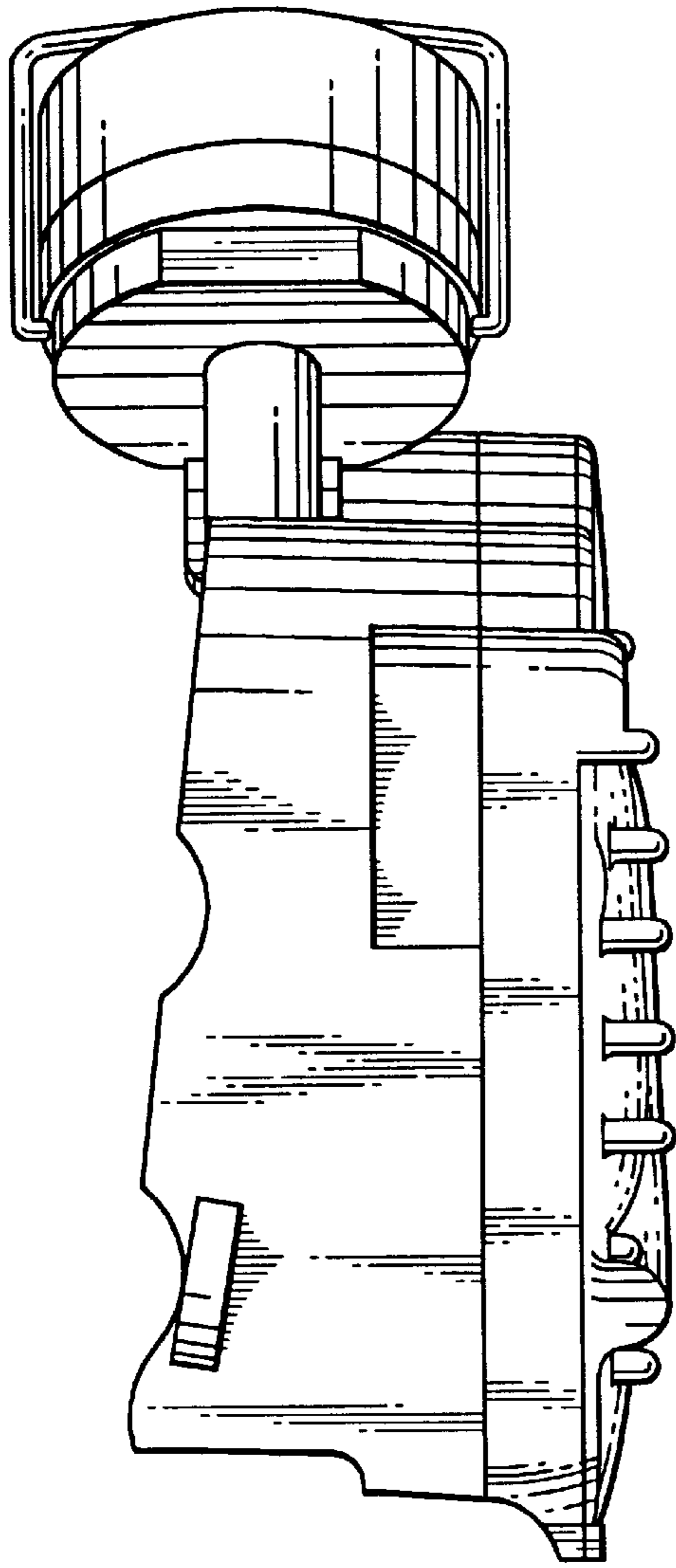


*Fig. 1*

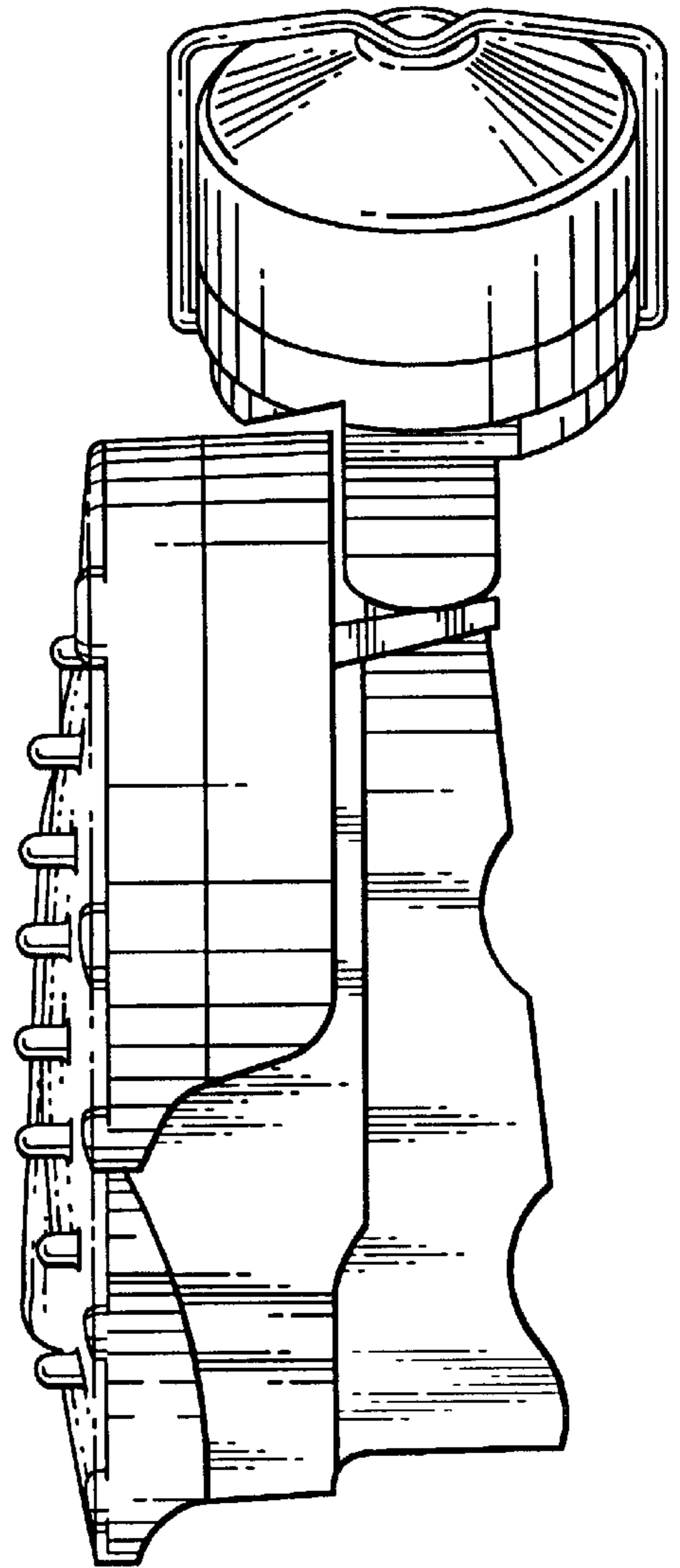


*Fig. 2*

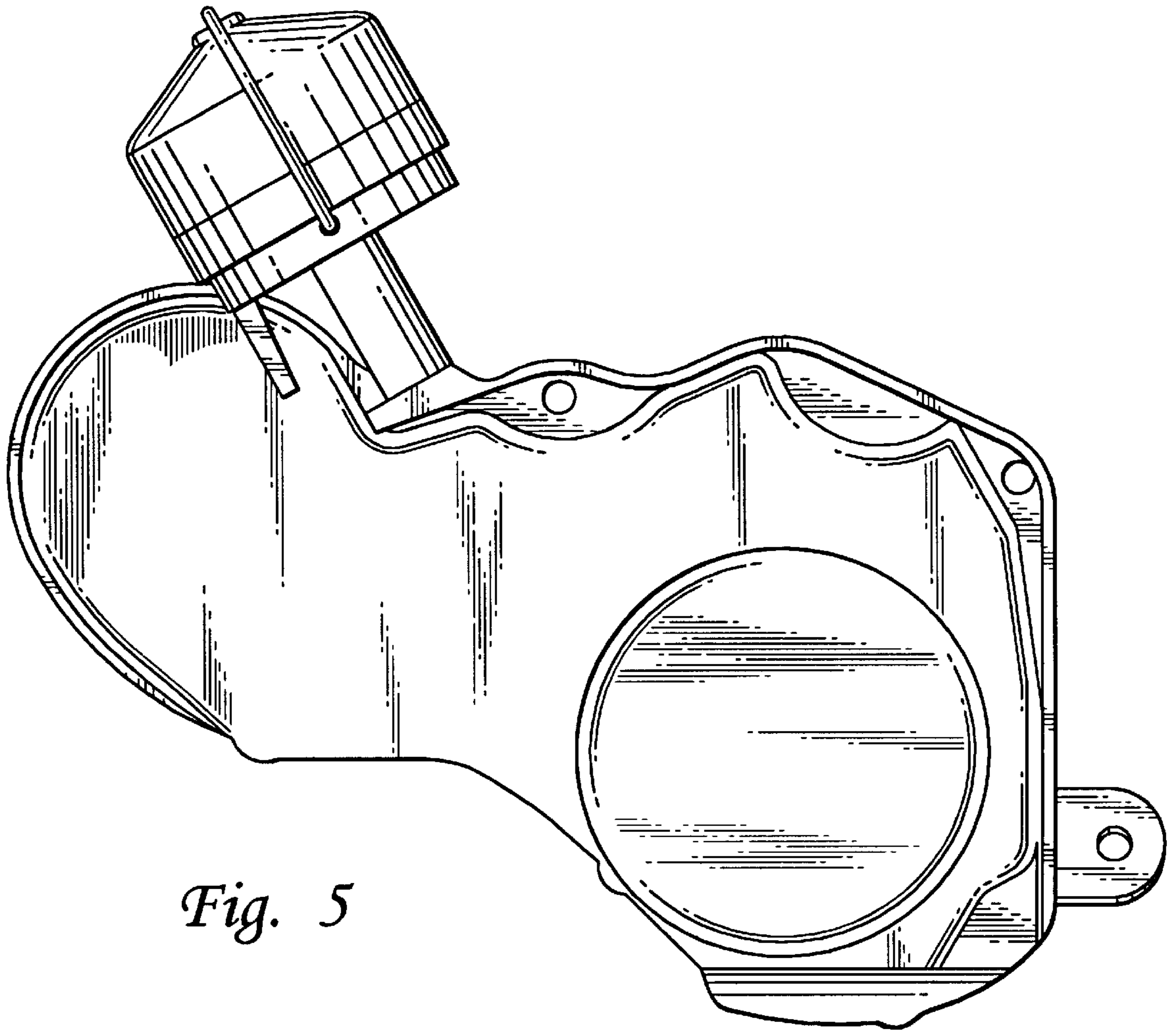




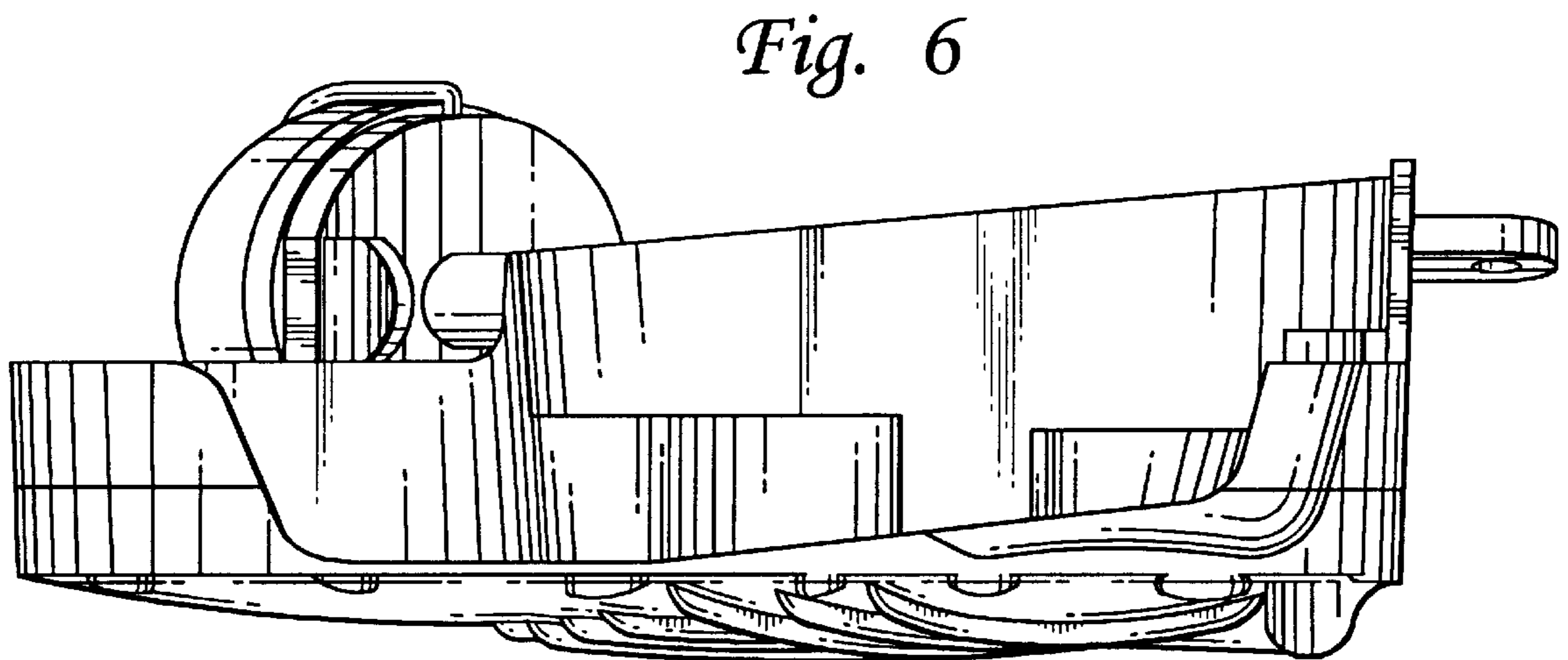
*Fig. 3*



*Fig. 4*



*Fig. 5*



*Fig. 6*