



US00D428826S

United States Patent [19]
Howard

[11] **Patent Number: Des. 428,826**

[45] **Date of Patent: ** Aug. 1, 2000**

[54] **LIGHT DISPLAY**

[76] **Inventor: Graylin Howard**, 1010 Dayton Ave.,
Fort Wayne, Ind. 46807

[**] **Term: 14 Years**

[21] **Appl. No.: 29/103,612**

[22] **Filed: Apr. 16, 1999**

[51] **LOC (7) Cl. 11-02**

[52] **U.S. Cl. D11/131**

[58] **Field of Search D11/131, 157;**
428/542.2-542.6, 917; D19/62

D. 338,315 8/1993 Larson D99/25
D. 345,322 3/1994 Menefee D11/131
D. 412,386 7/1999 De Manjarrez et al. D99/25

Primary Examiner—Dominic Simone
Attorney, Agent, or Firm—Lundy and Associates

[57] **CLAIM**

The ornamental design for a light display, as shown and described.

DESCRIPTION

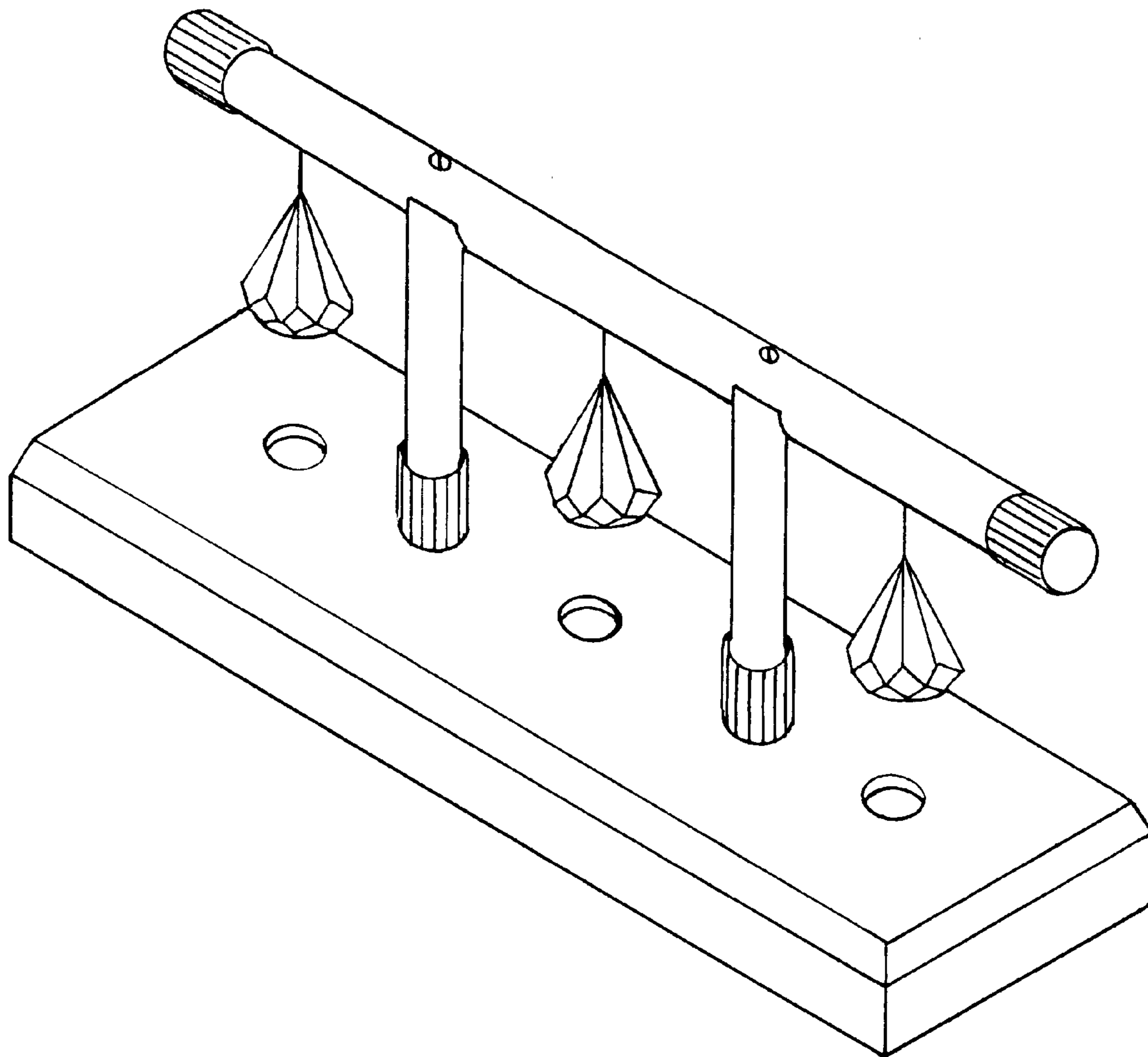
FIG. 1 is a perspective view showing the top, one end and one side of the new, original and ornamental design for a light display;
FIG. 2 is an end view thereof;
FIG. 3 is a side view thereof;
FIG. 4 is a top planar view thereof; and,
FIG. 5 is a bottom planar view thereof.

[56] **References Cited**

U.S. PATENT DOCUMENTS

D. 216,121 11/1969 Edson D19/62
D. 261,373 10/1981 Fisher D11/131
D. 293,559 1/1988 Massie D11/131

1 Claim, 2 Drawing Sheets



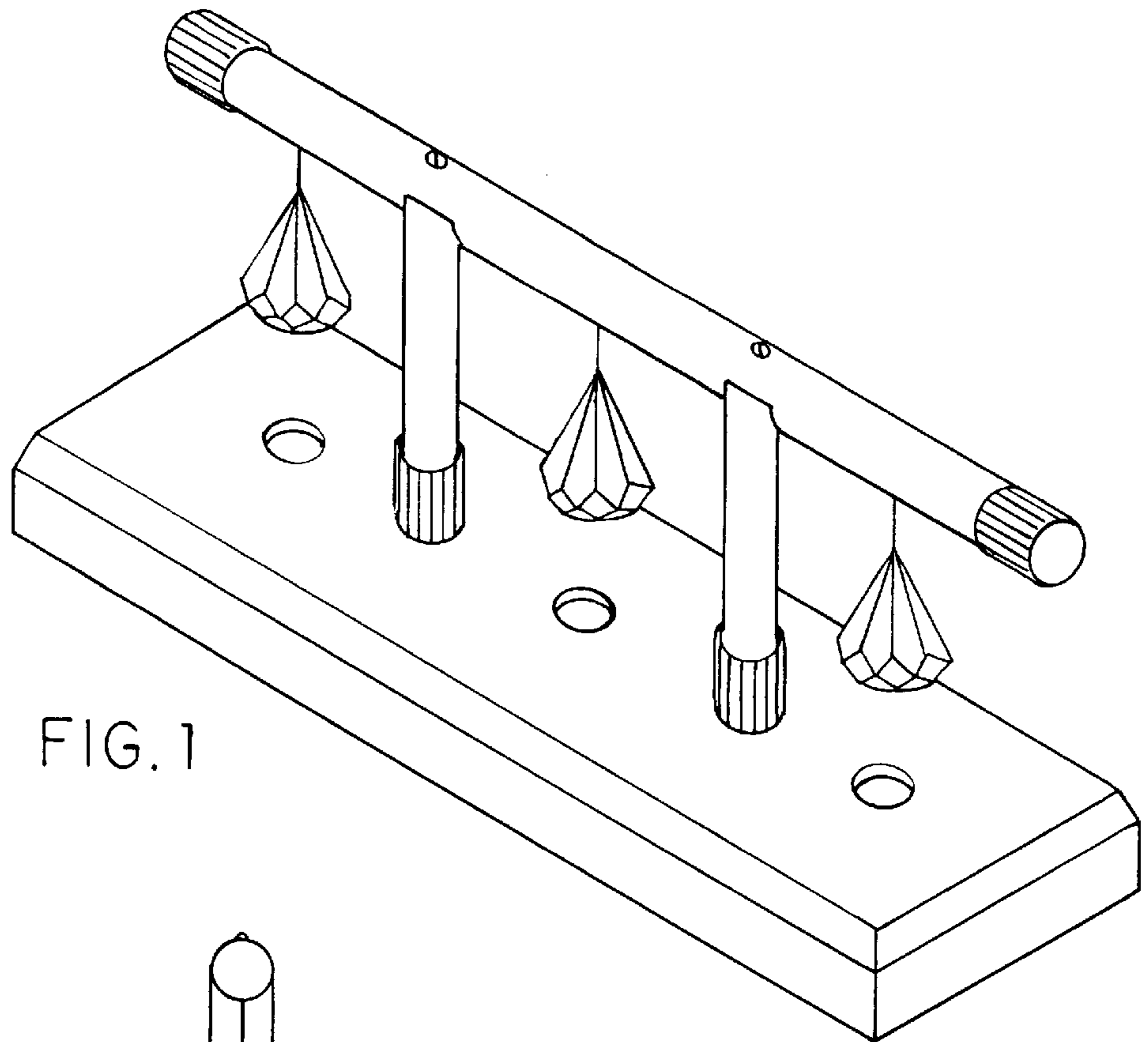


FIG. 1

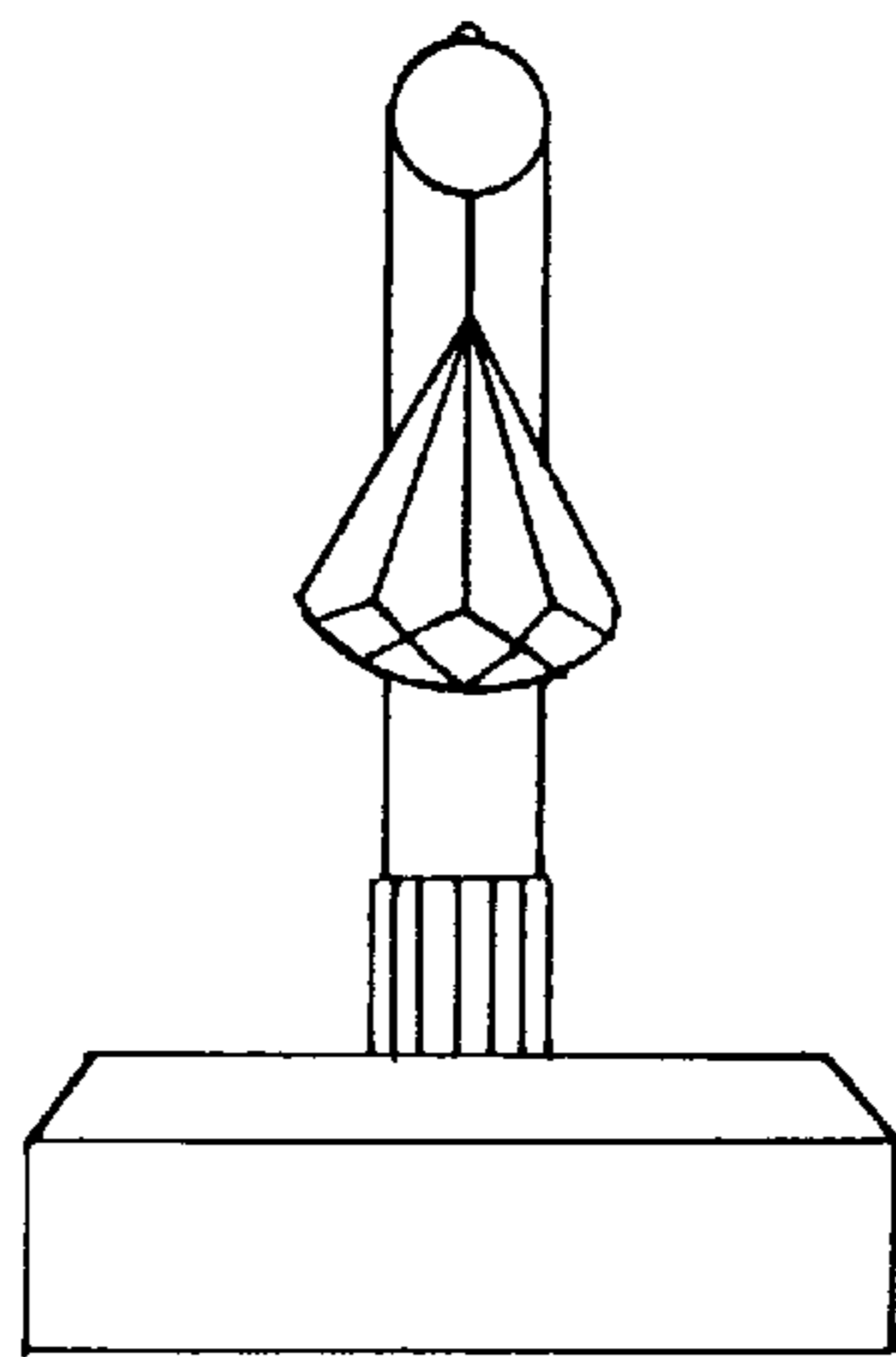


FIG. 2

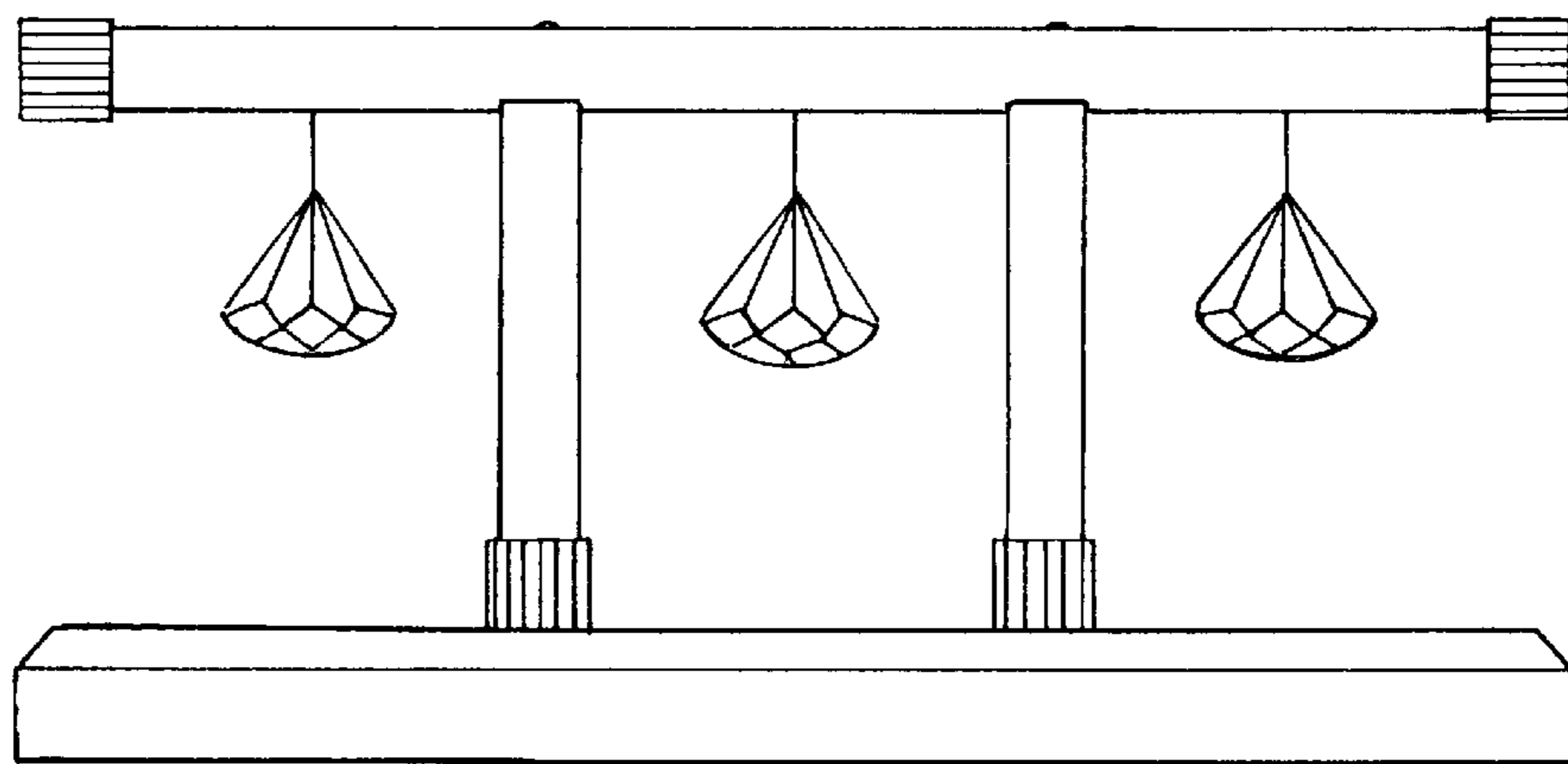


FIG. 3

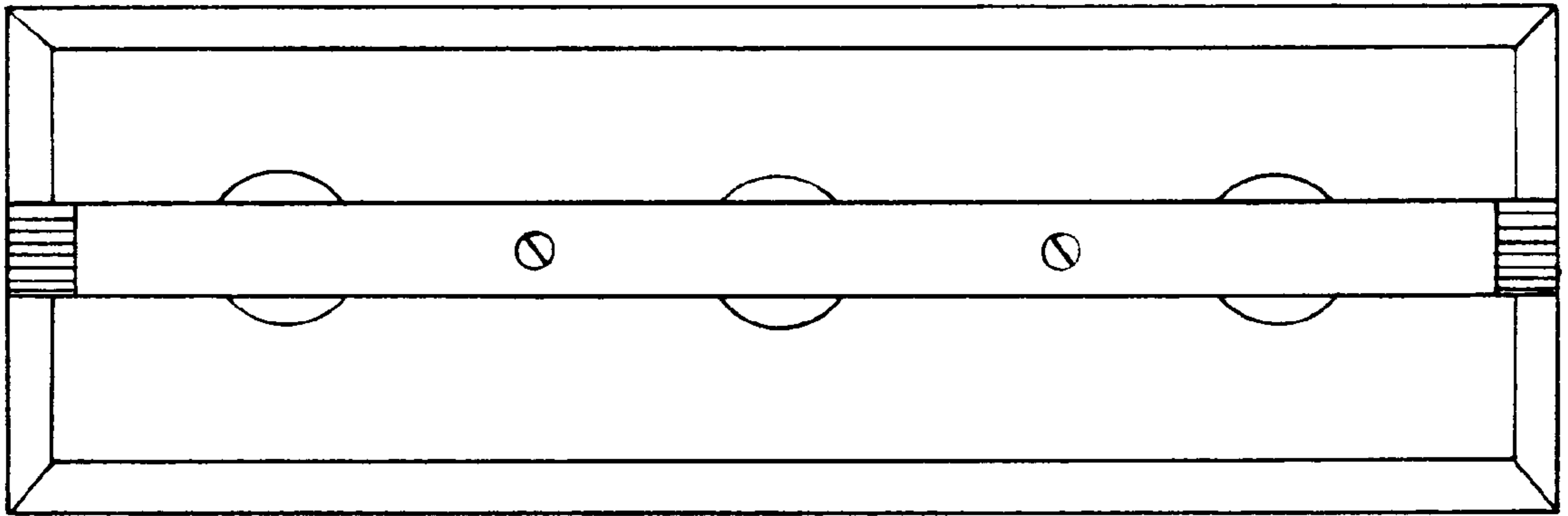


FIG. 4

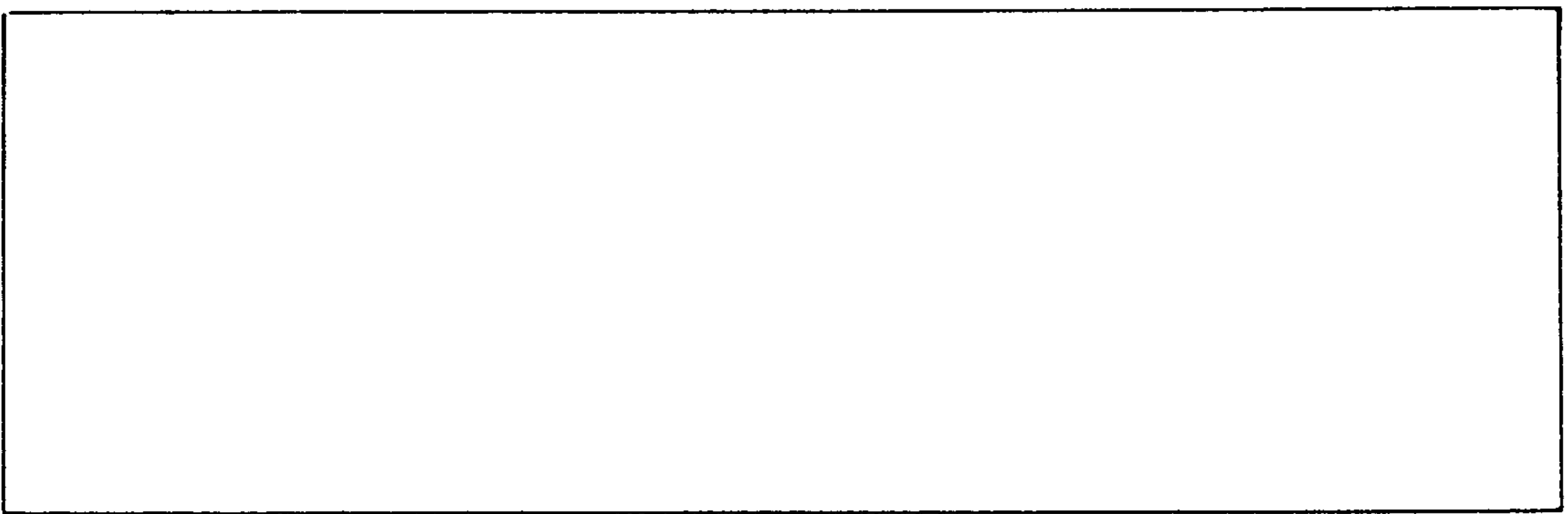


FIG. 5