



US00D428823S

United States Patent [19]

Davi

[11] Patent Number: **Des. 428,823**

[45] Date of Patent: **** Aug. 1, 2000**

[54] **BAND TO RETAIN FOLDED PAPER CURRENCY**

D. 384,499	10/1997	Gaestel	D3/247
1,445,528	2/1923	Marsh	224/222
5,279,057	1/1994	Melin et al.	40/630

[76] Inventor: **Tony J. Davi**, 271 Gingerbread St., Henderson, Nev. 89014

Primary Examiner—Ralf Seifert
Attorney, Agent, or Firm—Quirk & Tratos

[**] Term: **14 Years**

[57] **CLAIM**

[21] Appl. No.: **29/103,604**

The ornamental design for a band to retain folded paper currency, as shown and described.

[22] Filed: **Apr. 14, 1999**

DESCRIPTION

[51] **LOC (7) Cl.** **11-01**

[52] **U.S. Cl.** **D11/78.1**

[58] **Field of Search** D11/78.1, 3, 4;
D3/247, 212, 250, 253; 224/222, 236; 40/630,
633

FIG. 1 is a top-front-side view of the band according to the present invention with folded currency shown in phantom; FIG. 2 is a top view; FIG. 3 is an end view; FIG. 4 is a bottom; and, FIG. 5 is a side view.

[56] **References Cited**

U.S. PATENT DOCUMENTS

D. 368,868 4/1996 Velleco D11/78.1

1 Claim, 2 Drawing Sheets

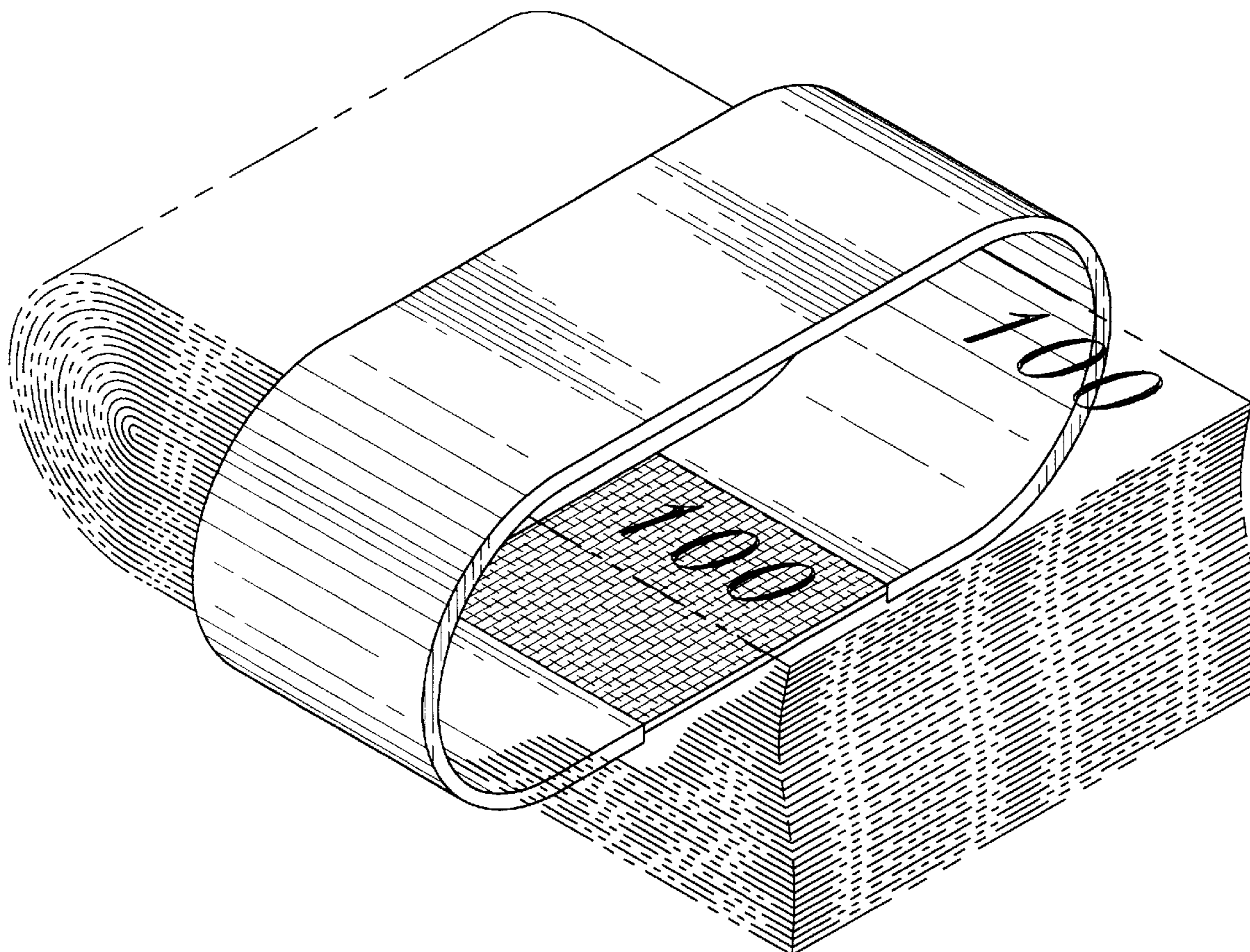


FIG. 1

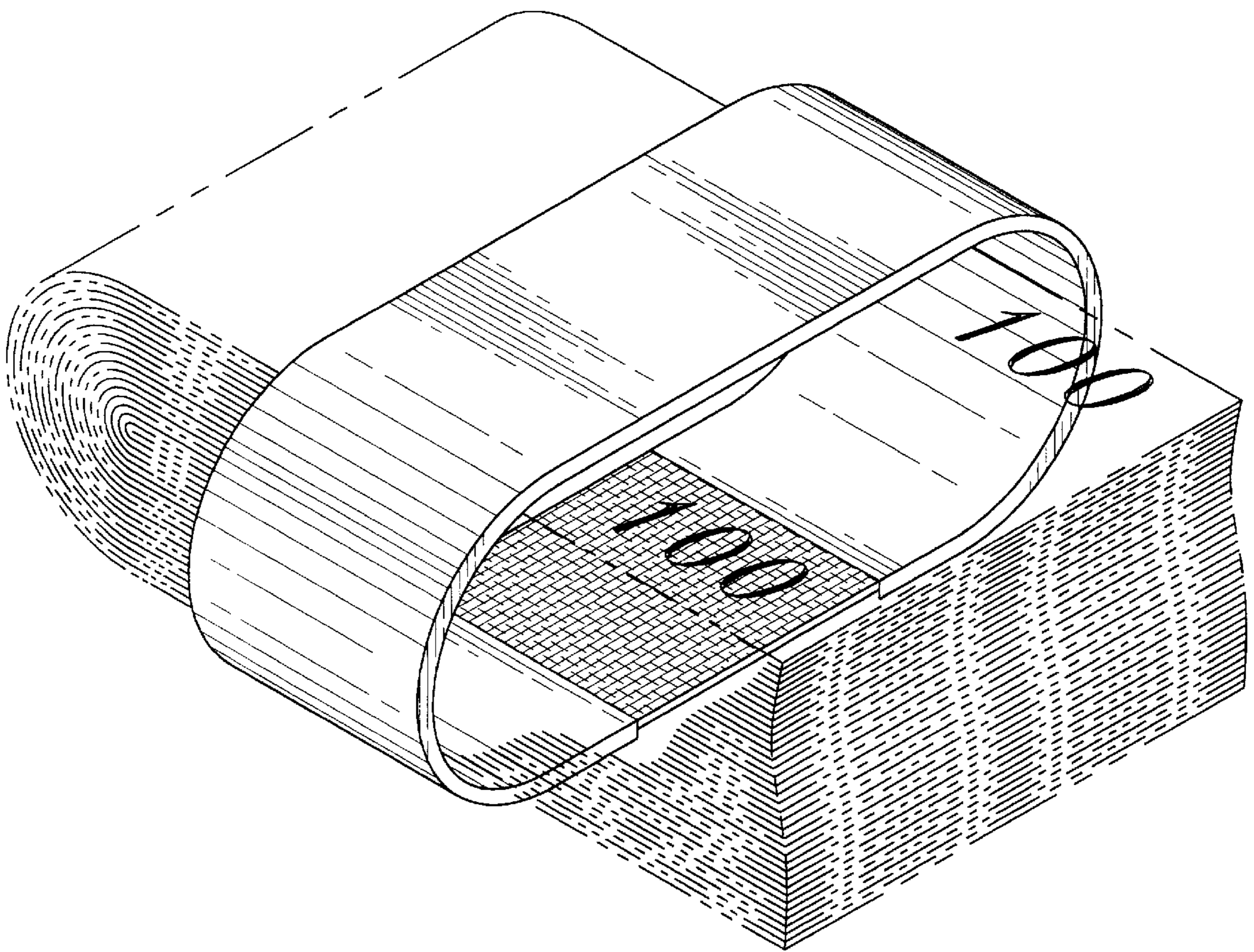


FIG. 2

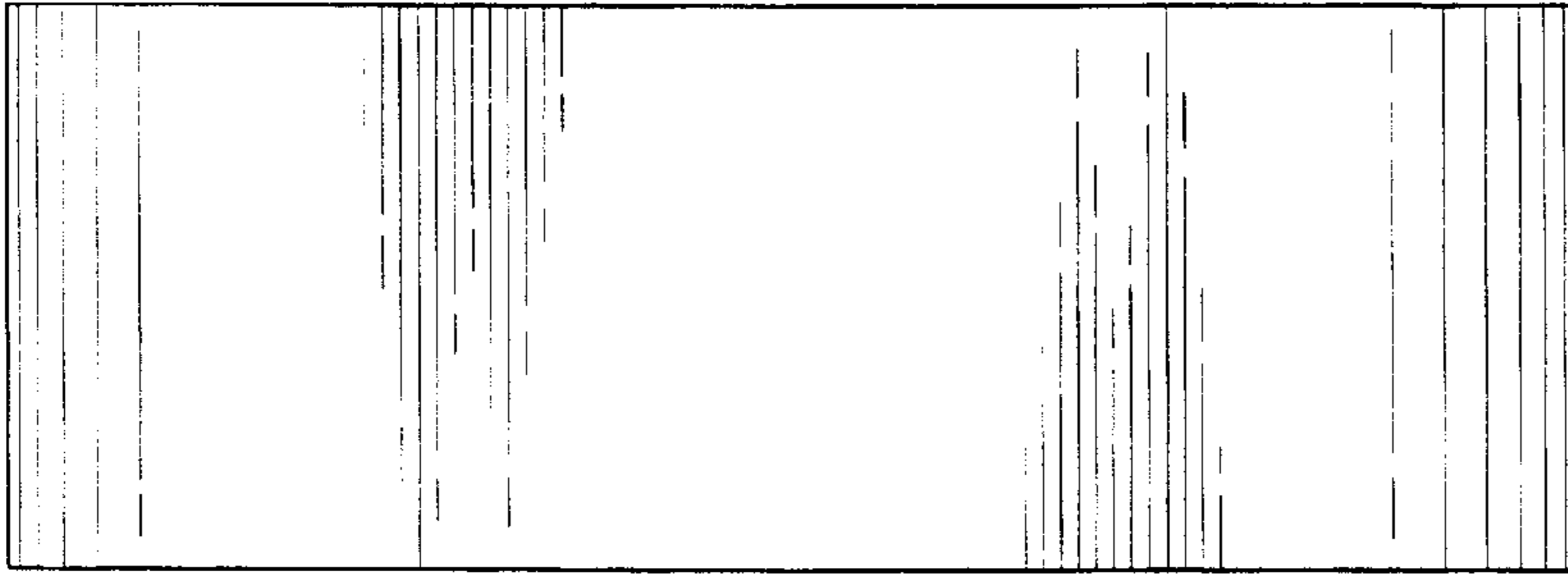


FIG. 3

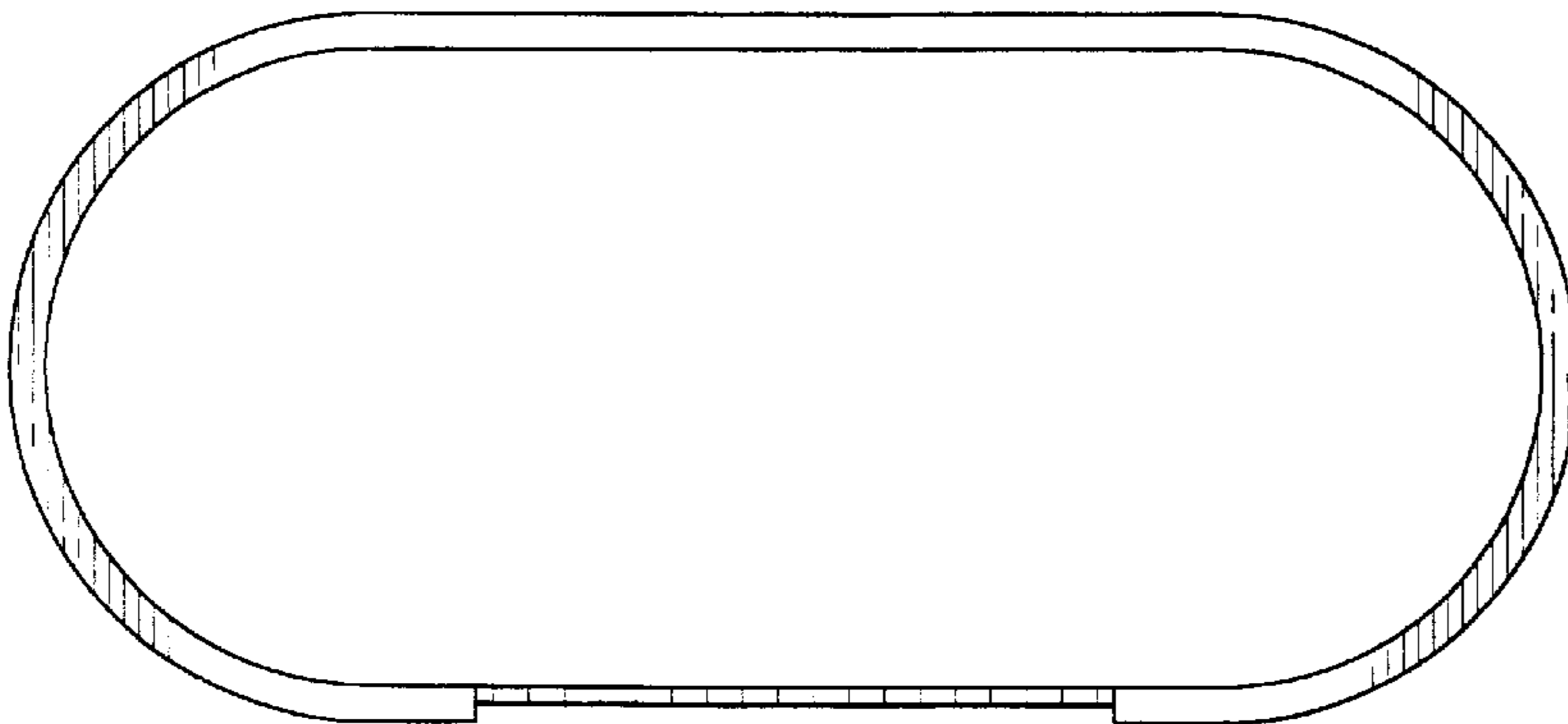


FIG. 5

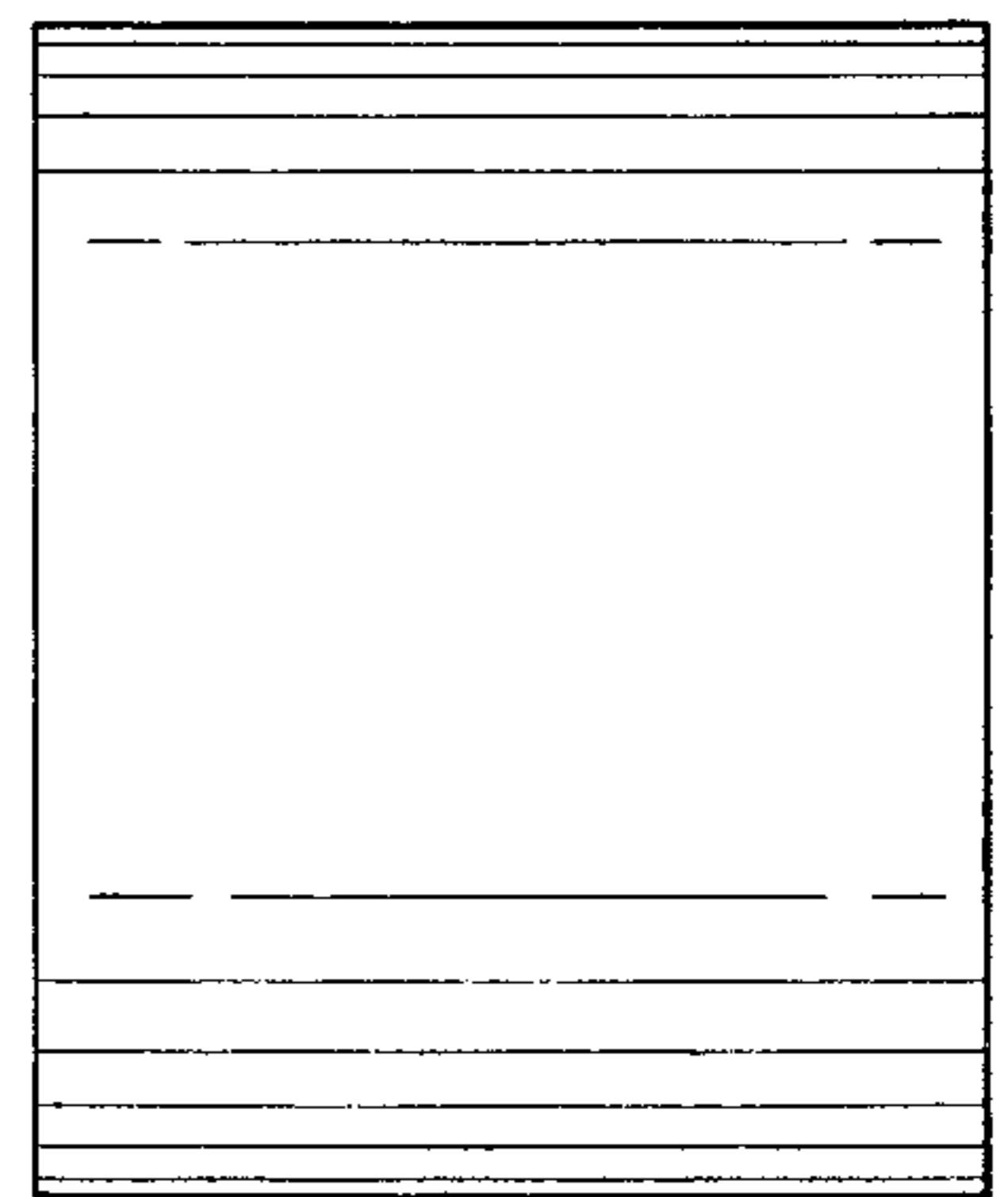


FIG. 4

