



US00D428815S

United States Patent [19]

Mooney et al.

[11] Patent Number: **Des. 428,815**

[45] Date of Patent: **** Aug. 1, 2000**

[54] **JAR BODY**

D. 420,593 2/2000 Denner et al. D9/520
5,598,941 2/1997 Semersky et al. 215/384

[75] Inventors: **Michael R. Mooney**, Wrightsville;
Richard K. Ogg, Littlestown, both of Pa.

Primary Examiner—Lucy Lieberman
Attorney, Agent, or Firm—Howson and Howson

[73] Assignee: **Graham Packaging Company LP**,
York, Pa.

[57] **CLAIM**

The ornamental design for a jar body, as shown and described.

[**] Term: **14 Years**

DESCRIPTION

[21] Appl. No.: **29/107,381**

FIG. 1 is a right side elevational view of the jar body of our new design, the left side elevational view being a mirror image thereof;

[22] Filed: **Jul. 1, 1999**

FIG. 2 is a front elevational view thereof;

[51] **LOC (7) Cl.** **09-01**

FIG. 3 is a rear elevational view thereof;

[52] **U.S. Cl.** **D9/520; D9/539; D9/553; D9/557**

FIG. 4 is a top plan view thereof; and,

[58] **Field of Search** D9/539, 520, 537,
D9/540, 553, 557; 215/381–384

FIG. 5 is a bottom plan view thereof.

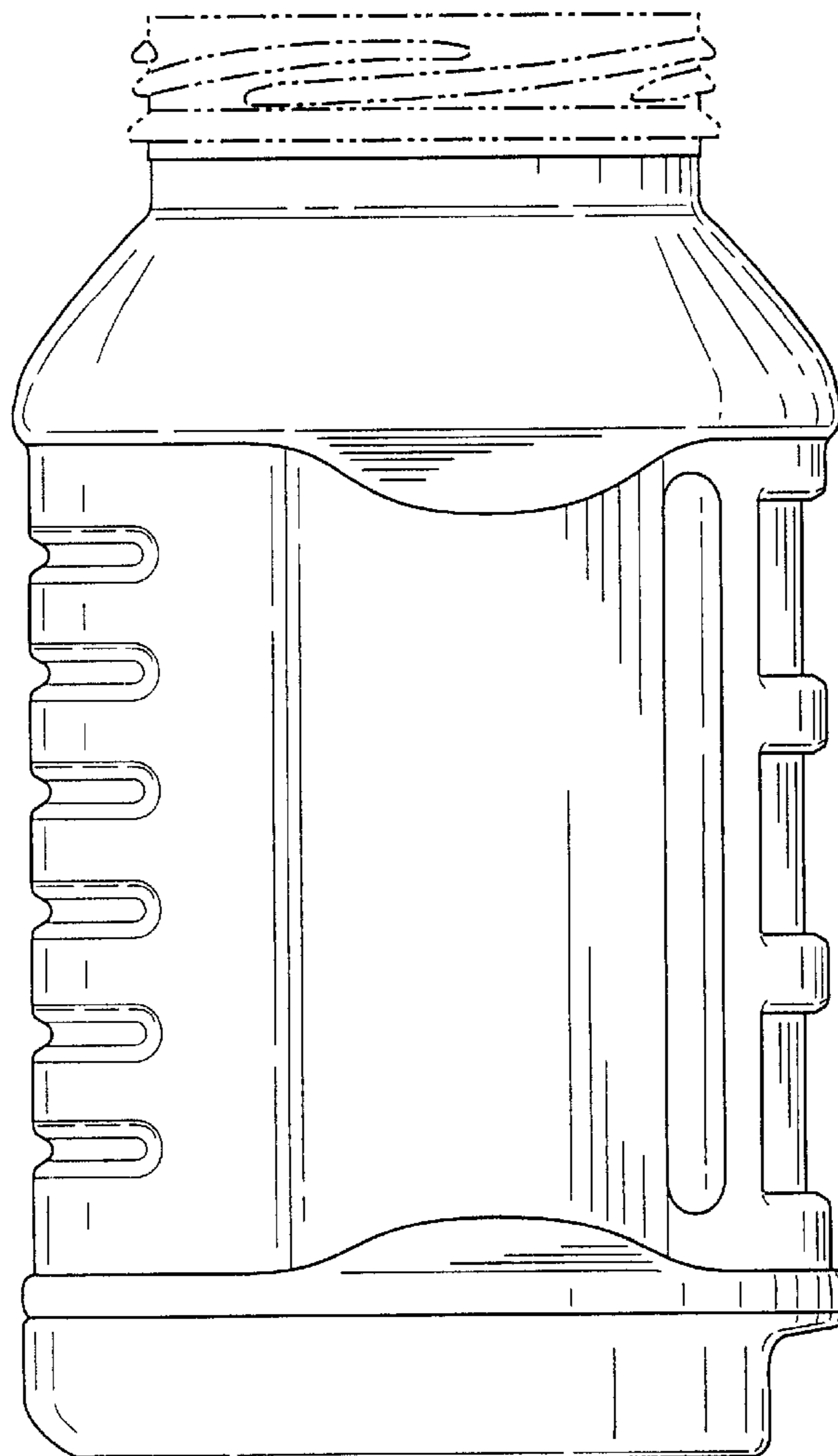
The broken line showing of the finish portion of the jar in FIGS. 1–4 is for illustrative purposes only and forms no part of the claimed design.

[56] **References Cited**

U.S. PATENT DOCUMENTS

D. 199,869 12/1964 Trombley D9/557

1 Claim, 4 Drawing Sheets



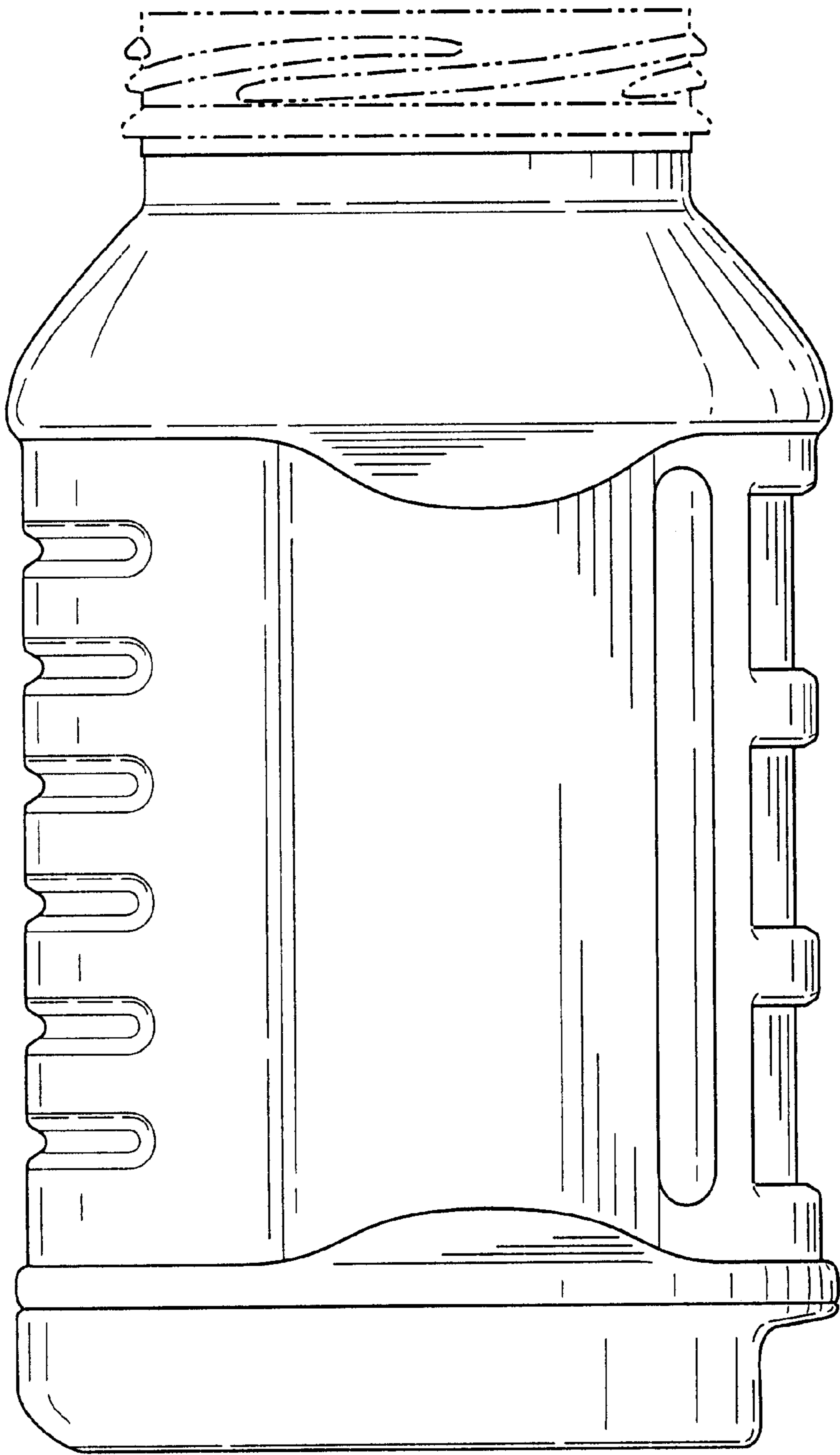


FIG. 1

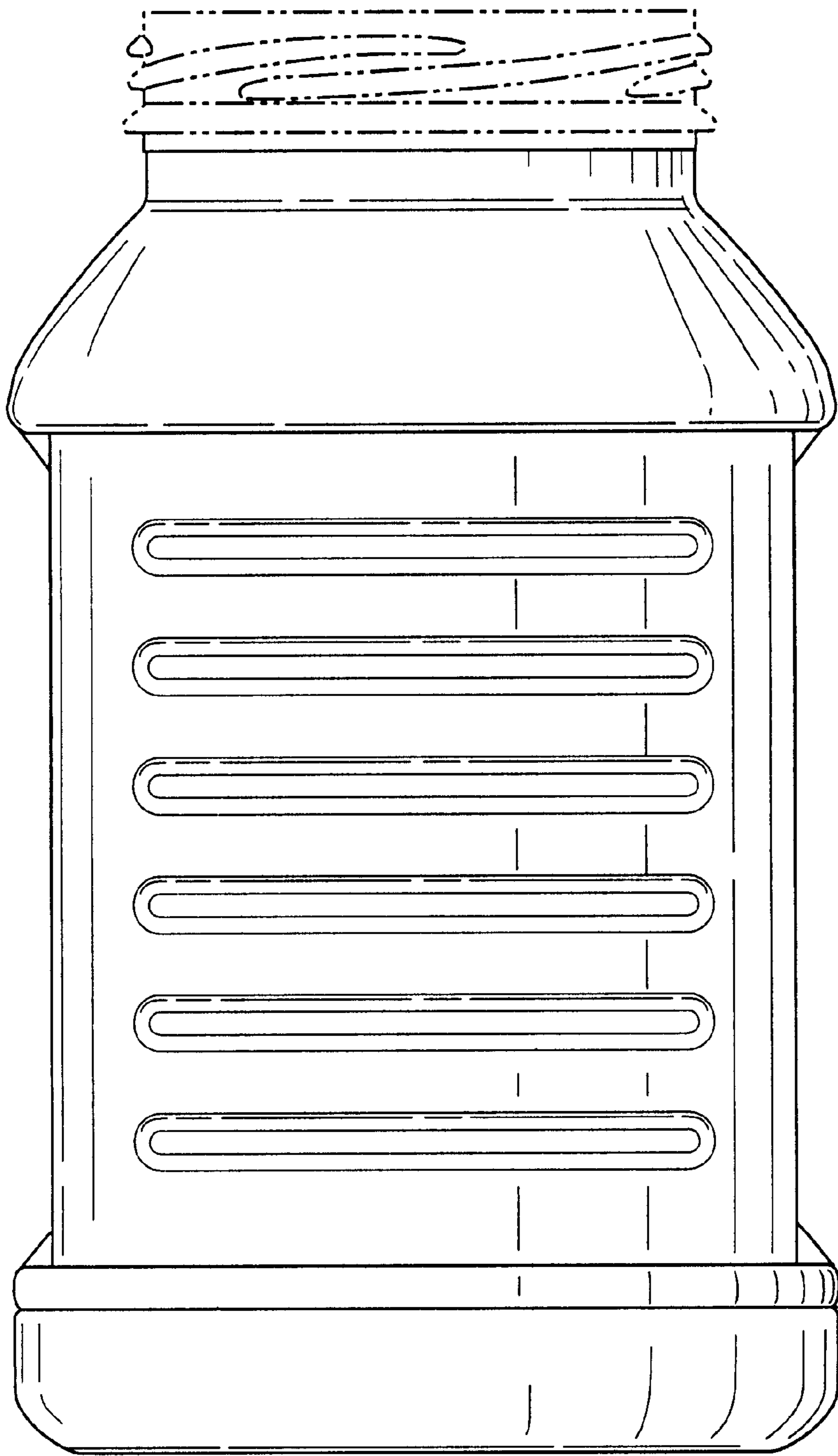


FIG. 2

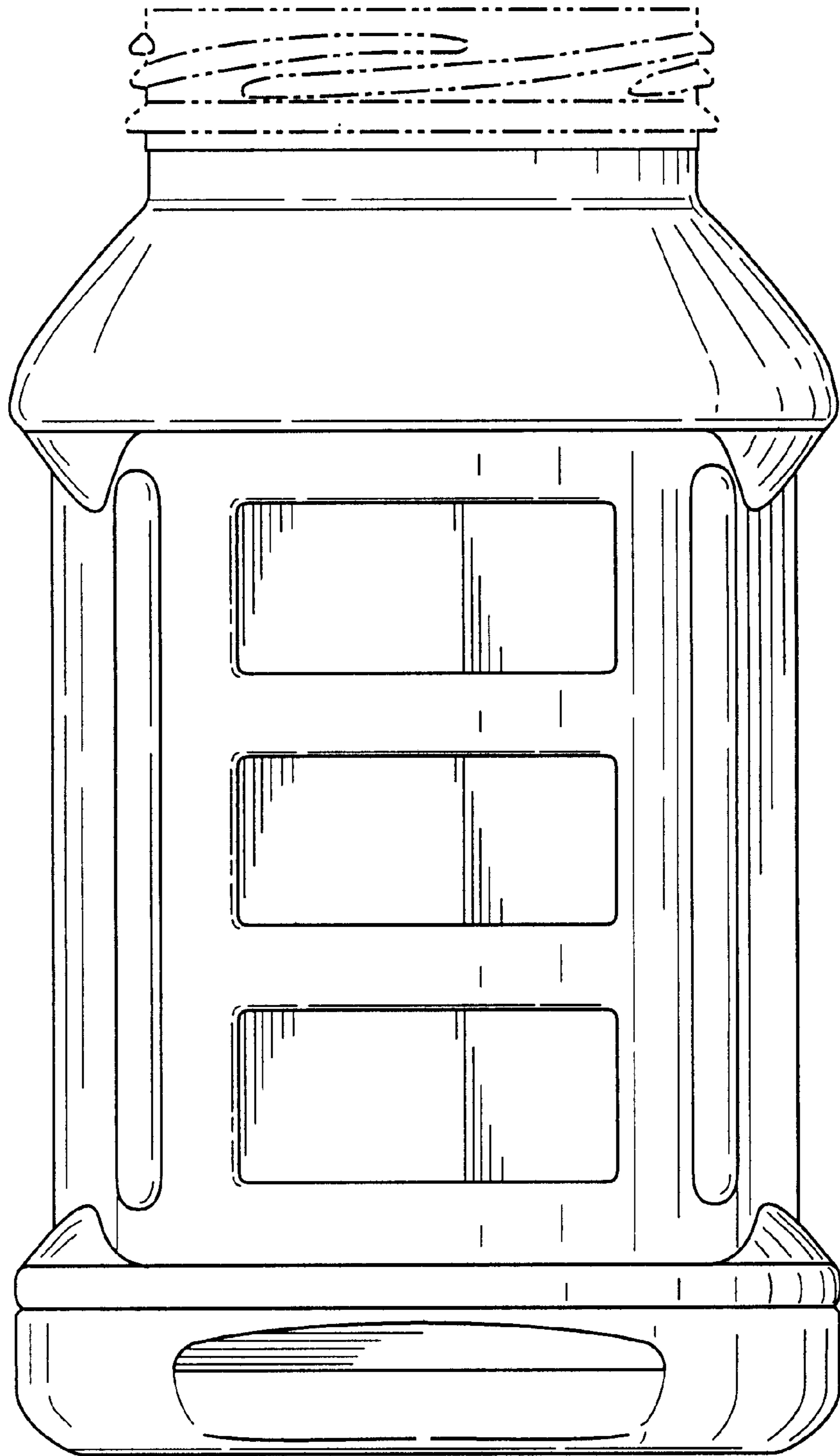


FIG. 3

FIG. 4

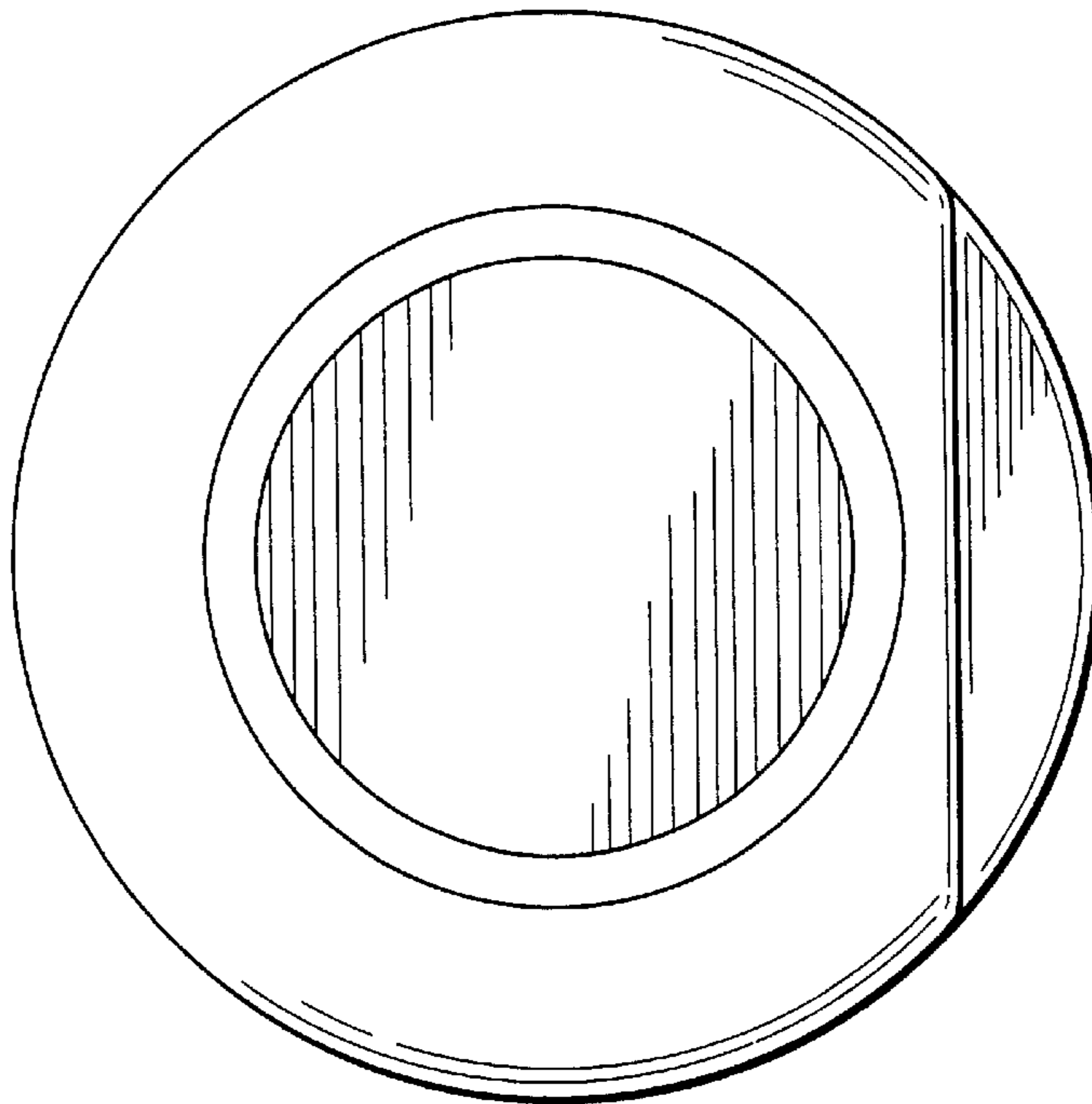
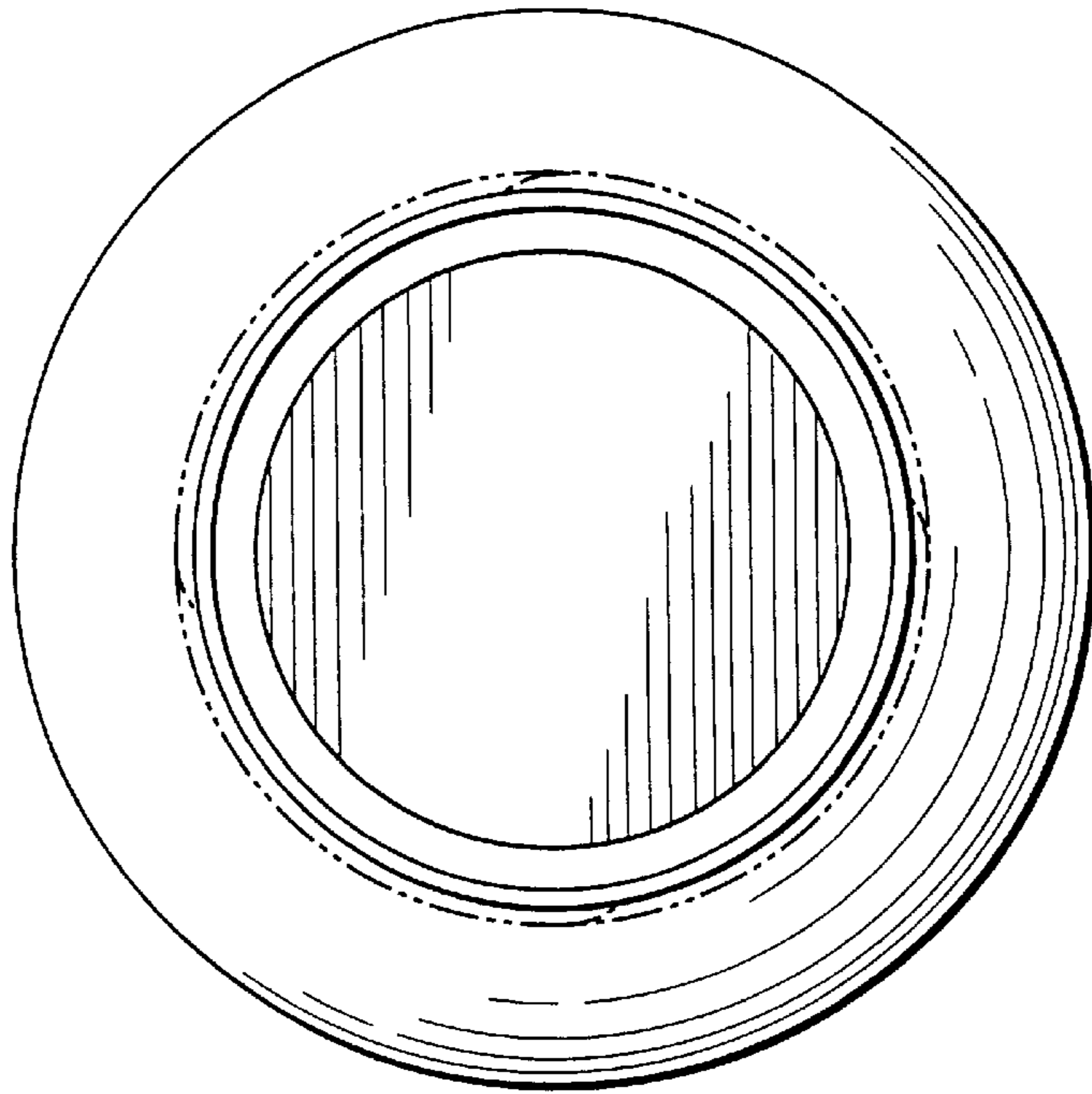


FIG. 5