



US00D428806S

United States Patent [19]

[11] Patent Number: **Des. 428,806**

Berger et al.

[45] Date of Patent: **** Aug. 1, 2000**

[54] **BELT SHORTENING DEVICE**

[75] Inventors: **Russell Berger**, Needham, Mass.;
Daniel J. Nelsen, Providence; **Aidan Petrie**, Jamestown, both of R.I.

[73] Assignee: **Sunshine Kids Juvenile Products, LLC**, Naples, Fla.

[**] Term: **14 Years**

[21] Appl. No.: **29/115,283**

[22] Filed: **Dec. 10, 1999**

[51] **LOC (7) Cl.** **08-08**

[52] **U.S. Cl.** **D8/383**

[58] **Field of Search** D8/382, 383; D11/218;
24/68 SB, 68 CD, 909, 169, 198, 196

[56] **References Cited**

U.S. PATENT DOCUMENTS

| | | | |
|------------|---------|------------------|---------|
| 169,770 | 11/1875 | Burnham . | |
| D. 328,045 | 7/1992 | Matoba | D8/383 |
| 482,035 | 9/1892 | Buckingham | 24/909 |
| 547,760 | 10/1895 | Bickel | 24/909 |
| 799,767 | 9/1905 | Weisenborn | 24/909 |
| 1,606,221 | 11/1926 | Hergesheimer . | |
| 1,620,363 | 3/1927 | Larkin . | |
| 2,526,216 | 10/1950 | Gartner | 24/71.2 |
| 3,574,342 | 4/1971 | Berns | 254/79 |
| 3,749,366 | 7/1973 | Brucker | 254/164 |

| | | | |
|-----------|---------|--------------------|----------|
| 3,826,473 | 7/1974 | Huber | 254/164 |
| 4,510,652 | 4/1985 | Van Iperen | 24/68 CD |
| 4,604,773 | 8/1986 | Weber et al. | 24/71.2 |
| 4,823,443 | 4/1989 | Waters | 24/68 |
| 4,860,606 | 8/1989 | Rousseau | 74/157 |
| 4,913,608 | 4/1990 | Royball | 410/103 |
| 4,922,582 | 5/1990 | Flanigan | 24/198 |
| 5,103,536 | 4/1992 | Kamper | 24/68 CD |
| 5,426,827 | 6/1995 | Tracy et al. | 24/68 R |
| 5,839,789 | 11/1998 | Koledin | 297/476 |
| 5,845,372 | 12/1998 | Smith et al. | 24/168 |
| 6,047,451 | 4/2000 | Berger et al. | 24/68 CD |

Primary Examiner—Alan P. Douglas
Assistant Examiner—Reid Hecker
Attorney, Agent, or Firm—Barlow, Josephs & Holmes

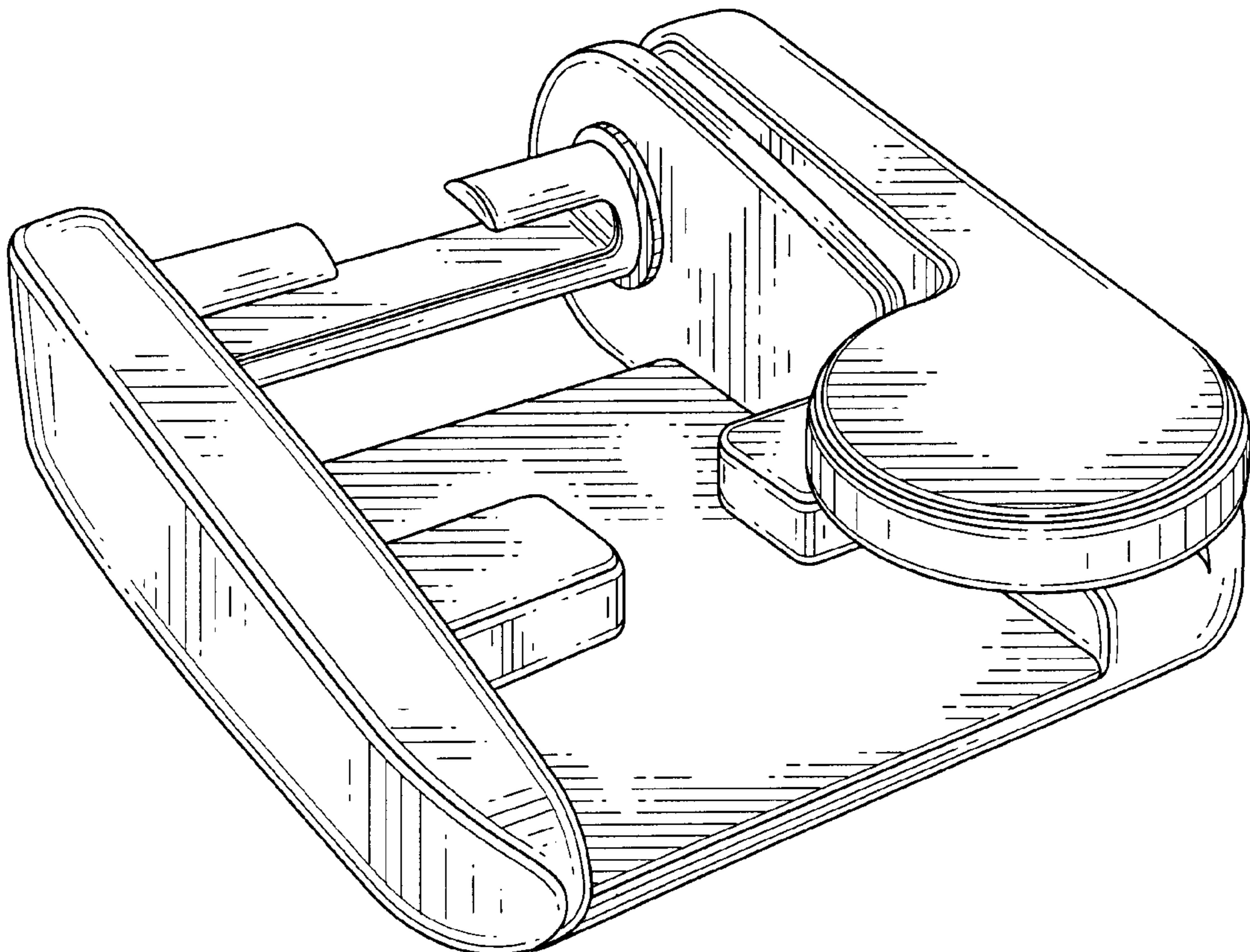
[57] **CLAIM**

The ornamental design for a belt shortening device, as shown.

DESCRIPTION

FIG. 1 is a perspective view of a belt shortening device showing our new design;
FIG. 2 is a left side elevational view thereof;
FIG. 3 is a top view thereof;
FIG. 4 is a front view thereof;
FIG. 5 is a right side elevational view thereof;
FIG. 6 is a bottom view thereof; and,
FIG. 7 is a rear elevational view thereof.

1 Claim, 4 Drawing Sheets



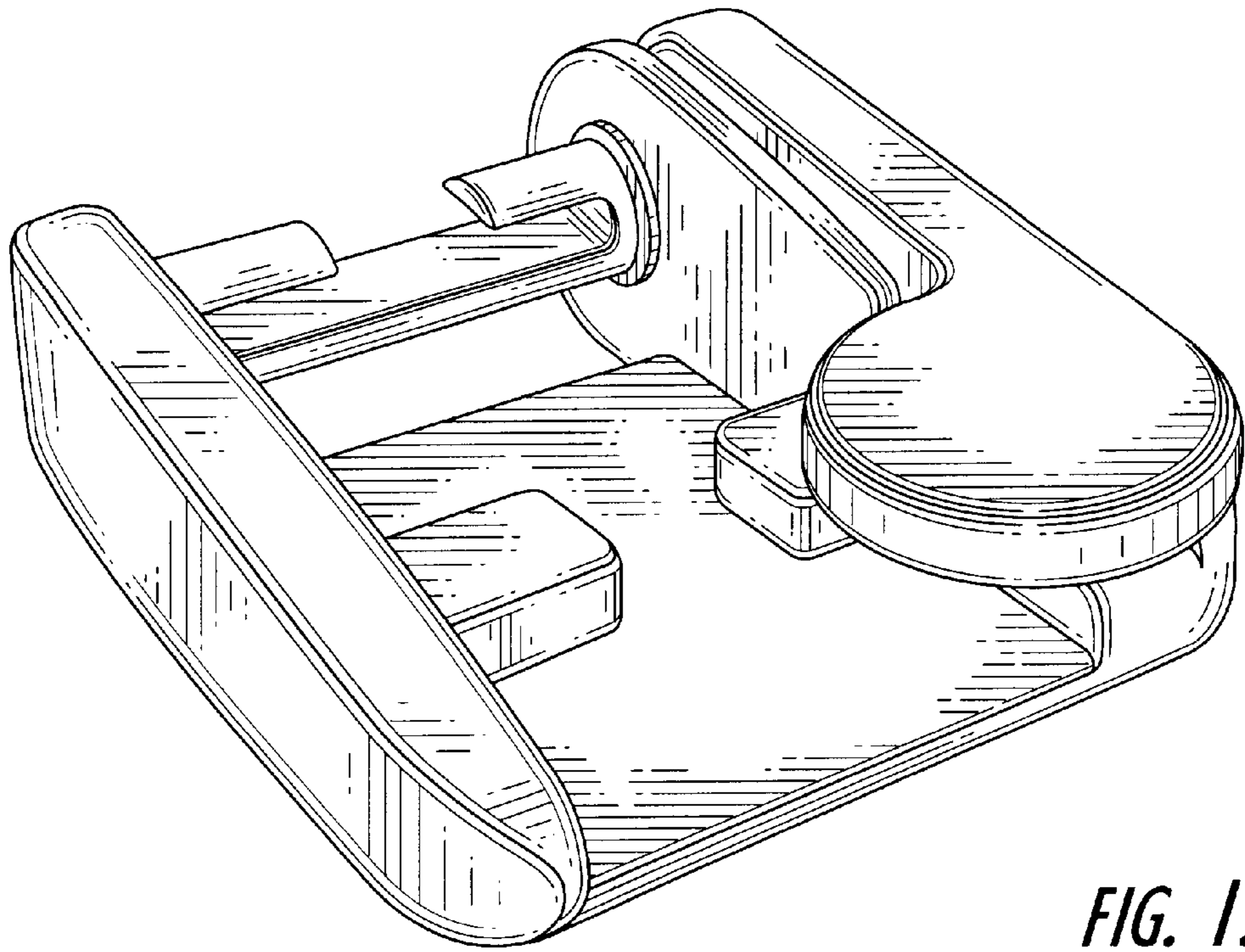


FIG. 1.

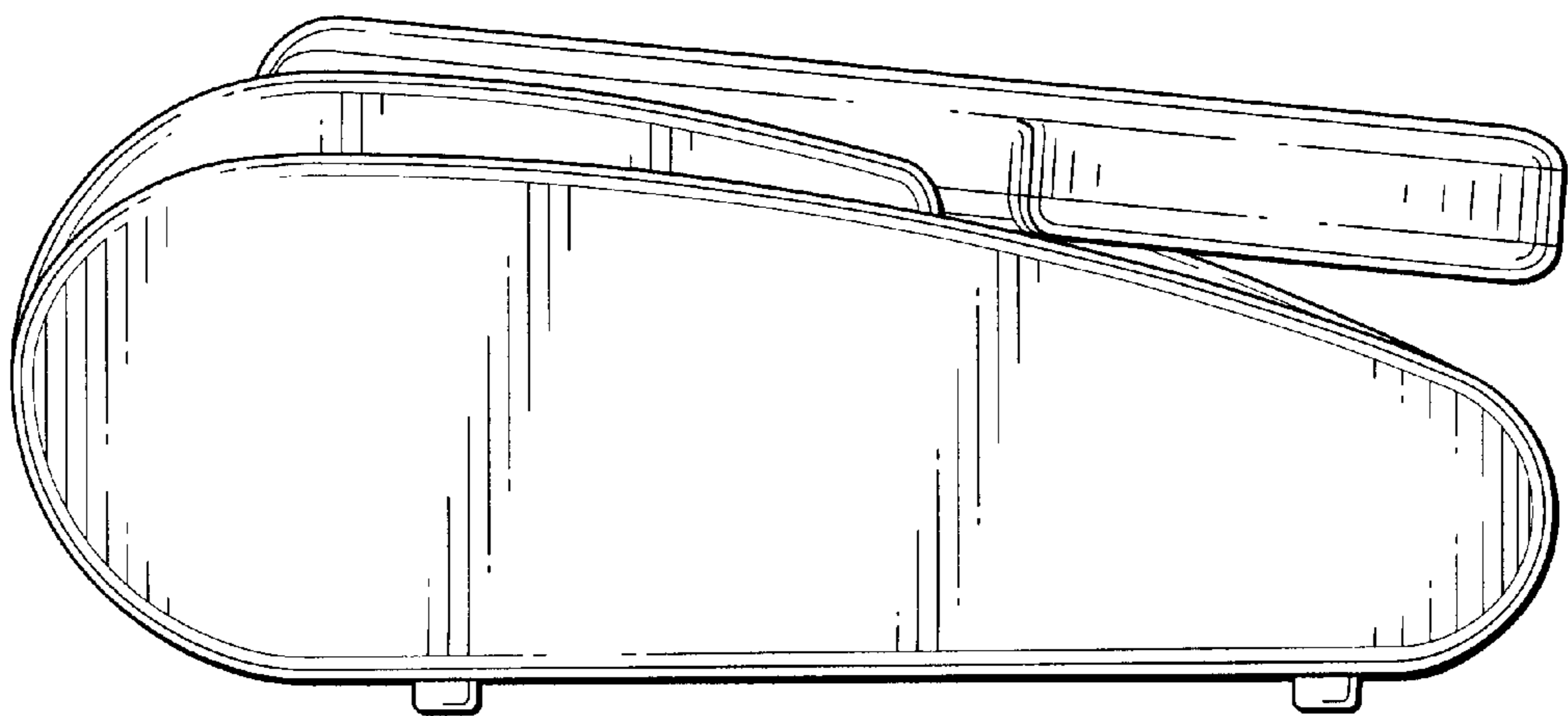


FIG. 2.

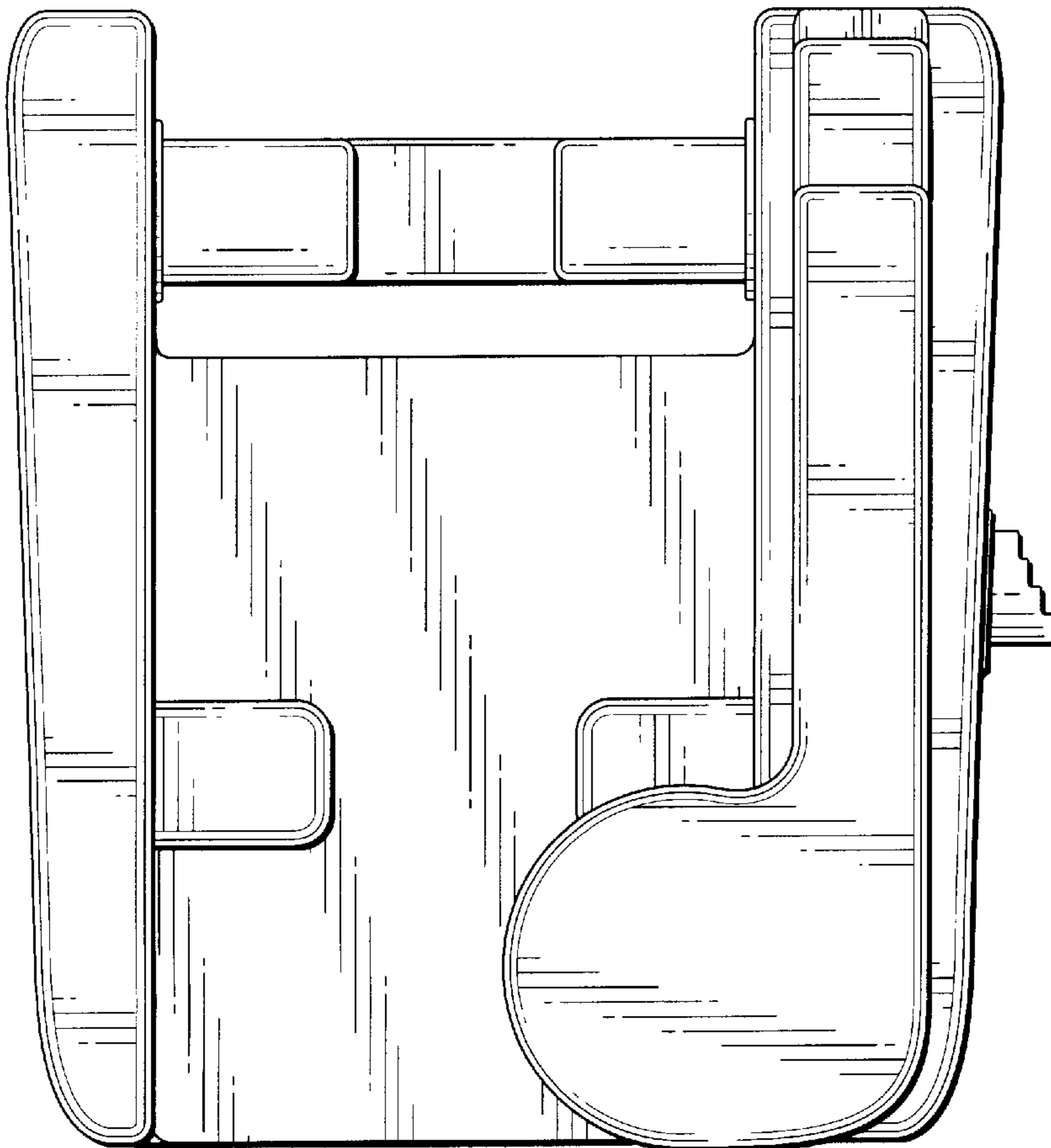


FIG. 3.

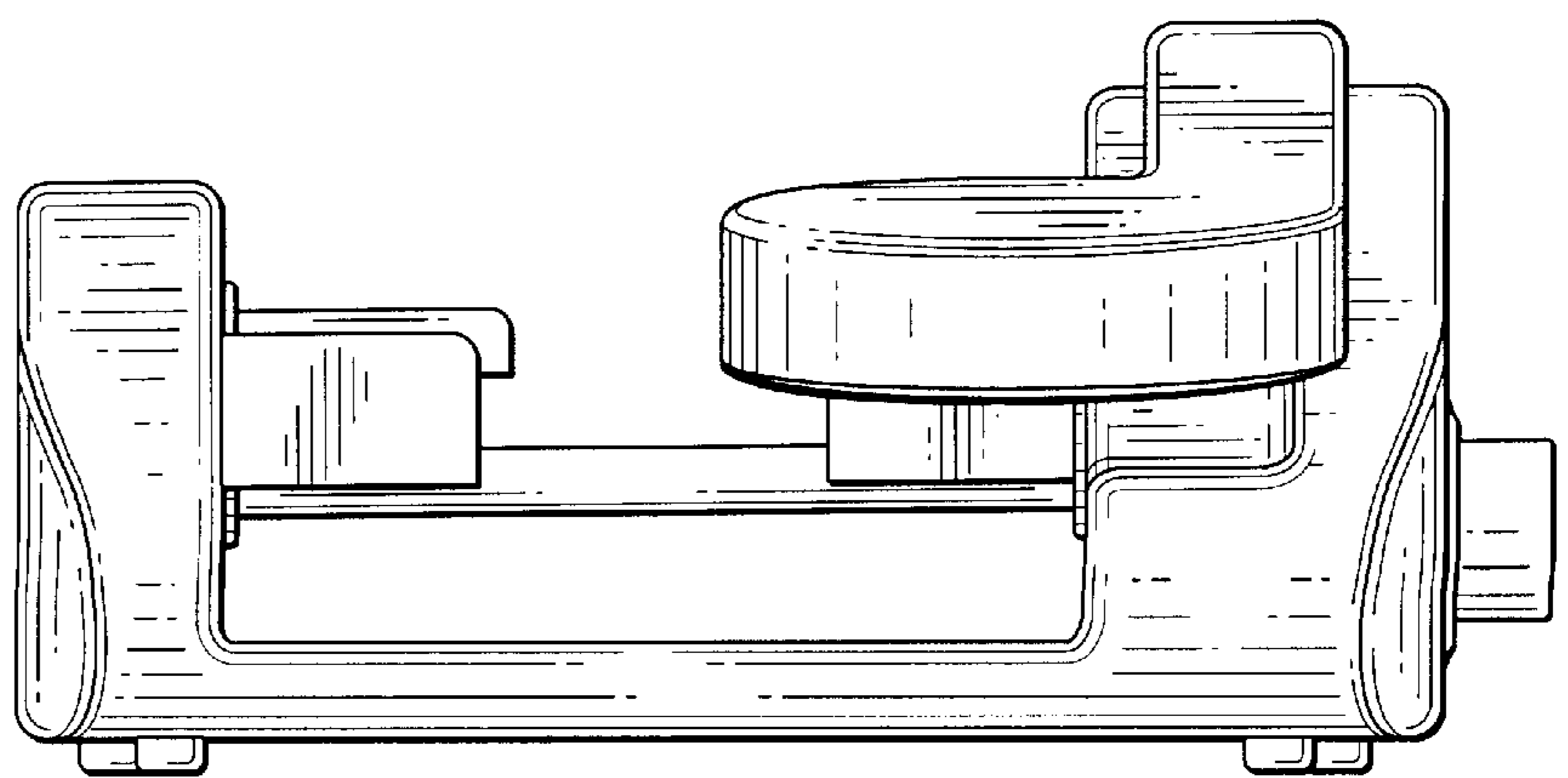


FIG. 4.

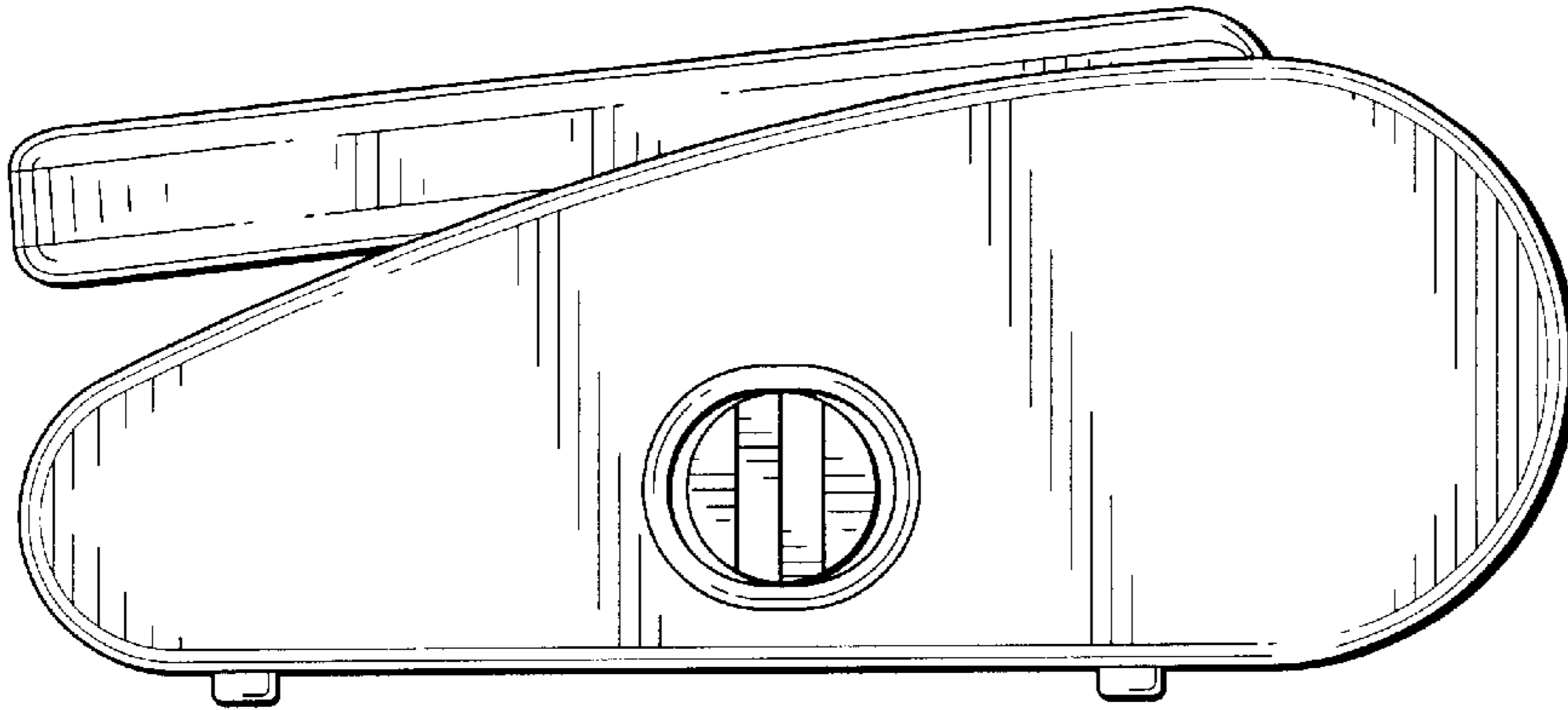


FIG. 5.

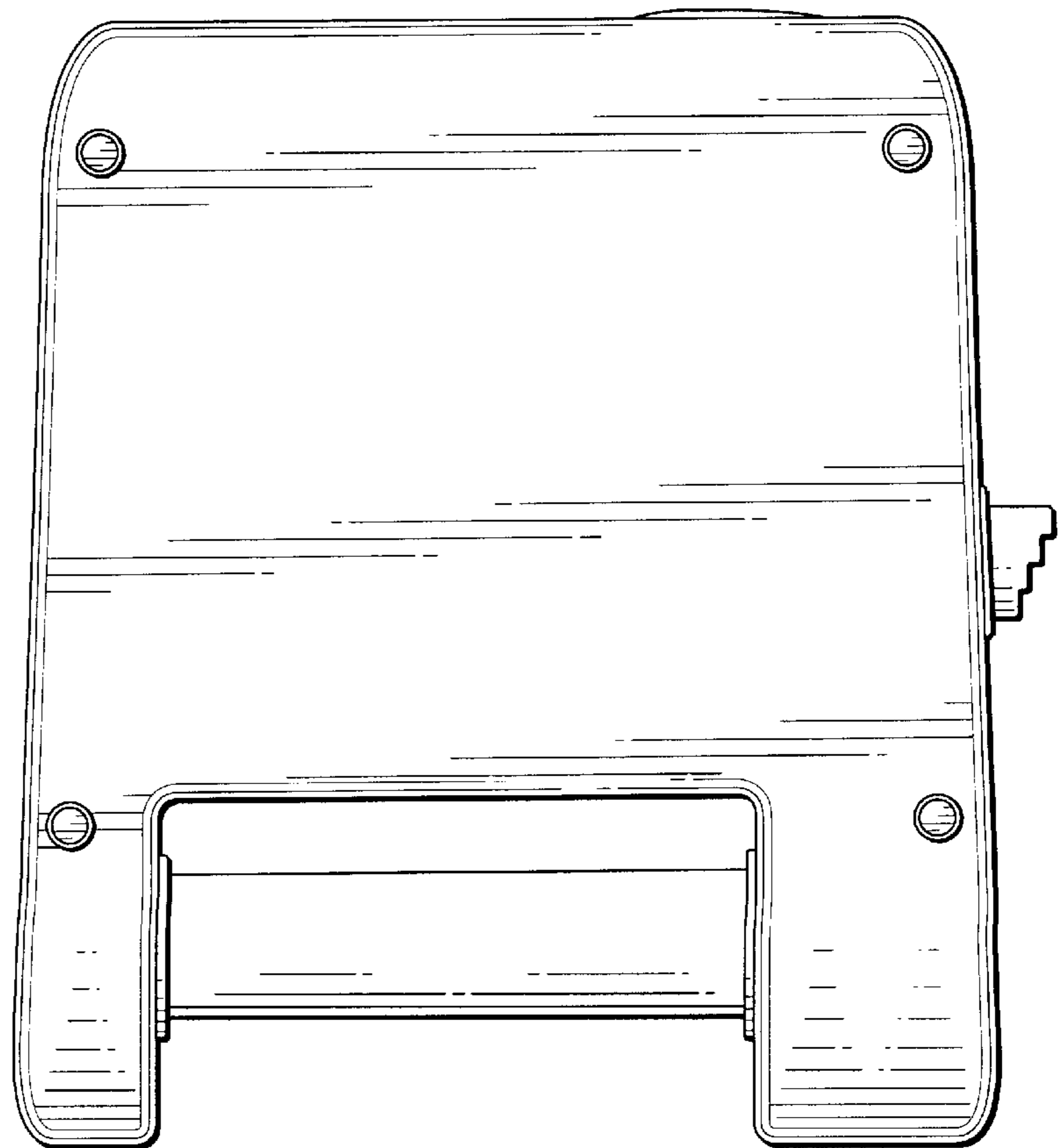


FIG. 6.

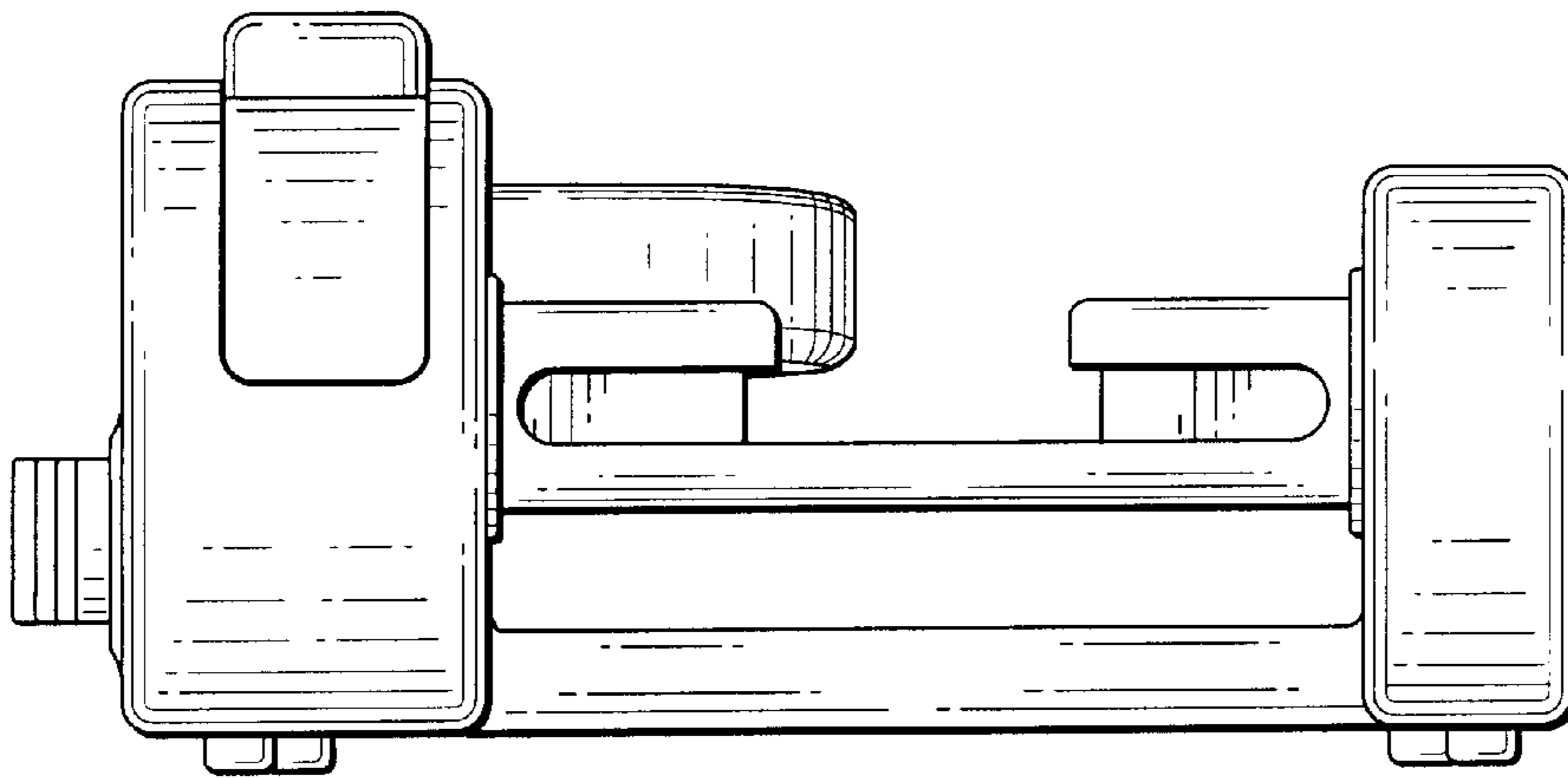


FIG. 7.