



US00D428805S

# United States Patent [19]

Sato et al.

[11] Patent Number: **Des. 428,805**

[45] Date of Patent: **\*\* Aug. 1, 2000**

[54] **FLEXIBLE JOINT**

[75] Inventors: **Taichi Sato**, Nagaokakyo; **Yasushi Fujita**, Hyogo-ken, both of Japan

[73] Assignee: **Waterworks Technology Development Organization Co., Ltd.**, Osaka, Japan

[\*\*] Term: **14 Years**

[21] Appl. No.: **29/111,825**

[22] Filed: **Oct. 1, 1999**

[51] **LOC (7) Cl.** ..... **08-08**

[52] **U.S. Cl.** ..... **D8/382; D23/262**

[58] **Field of Search** ..... D8/382; 403/169-170, 403/173-174, 205, 312, 177-178, 300, 305-306; D23/262; 288/165-166

[56] **References Cited**

**U.S. PATENT DOCUMENTS**

|            |        |                 |       |         |
|------------|--------|-----------------|-------|---------|
| D. 234,847 | 4/1975 | Hoffman         | ..... | D23/262 |
| D. 255,145 | 5/1980 | Nederman        | ..... | D23/262 |
| D. 383,053 | 9/1997 | Schrader et al. | ..... | D8/382  |
| 5,403,043  | 4/1995 | Smet            | ..... | 285/39  |

*Primary Examiner*—Holly Baynham  
*Attorney, Agent, or Firm*—Knobbe, Martens, Olson & Bear, LLP

[57] **CLAIM**

The ornamental design for a flexible joint, as shown and described.

**DESCRIPTION**

FIG. 1 is a front view of a flexible joint.  
FIG. 2 is a rear view of the flexible joint.  
FIG. 3 is a top plan view of the flexible joint.  
FIG. 4 is a bottom plan view of the flexible joint.  
FIG. 5 is a left side view of the flexible joint.  
FIG. 6 is a right side view of the flexible joint; and,  
FIG. 7 is a reduced scale perspective view of the flexible joint.

The phantom representation of the joint portions of a flexible joint is made in the drawings merely for the purpose of illustrating the environment in which this invention is used. The structure shown in broken lines is not part of the design sought to be patented.

**1 Claim, 3 Drawing Sheets**

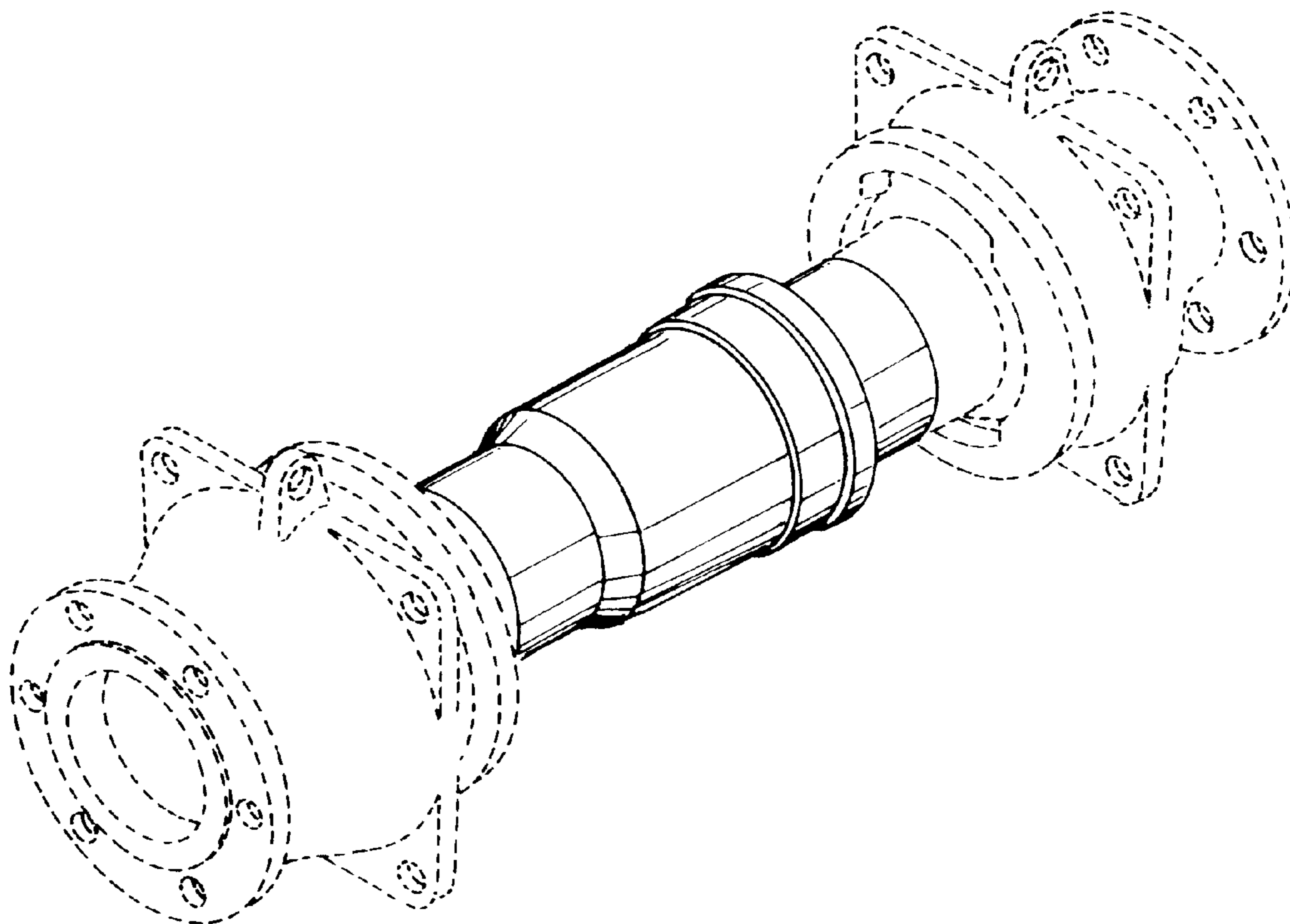


FIG. 1

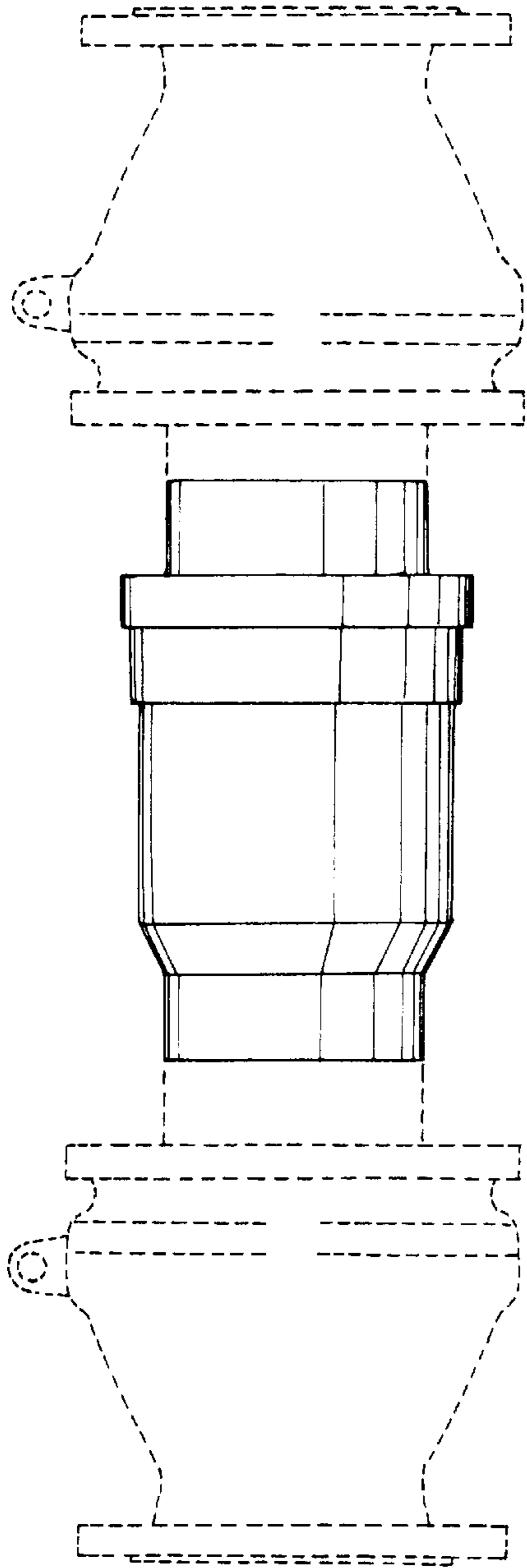


FIG. 2

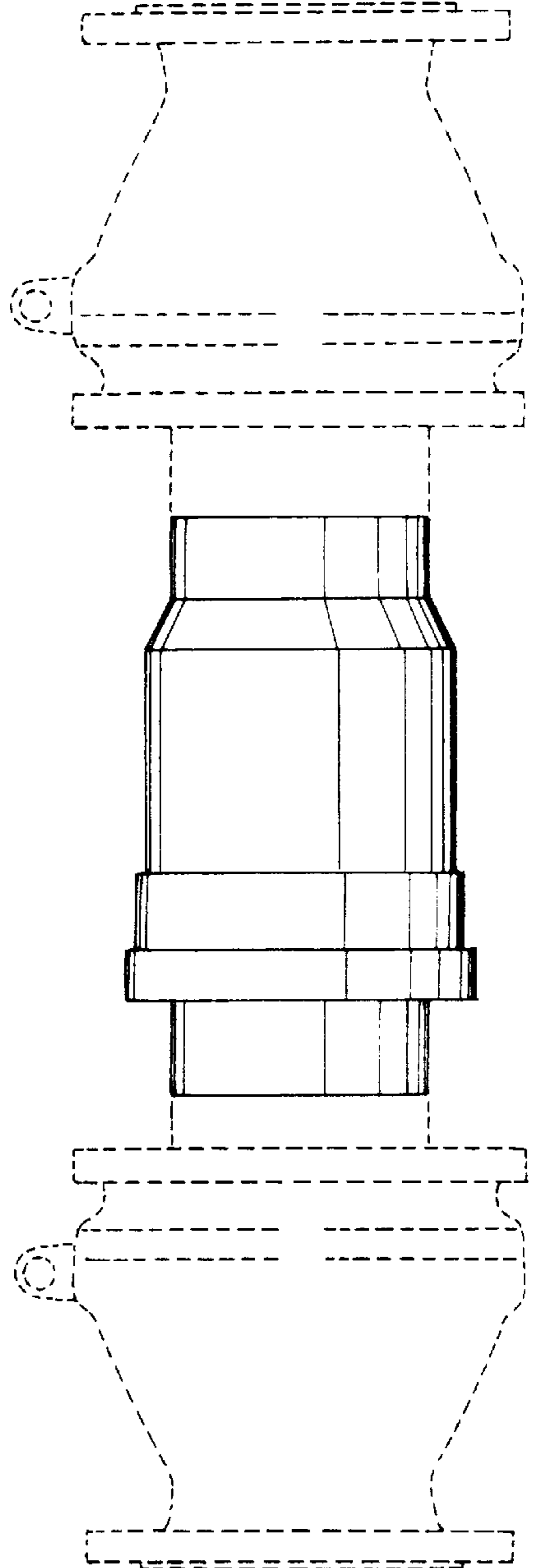


FIG. 3

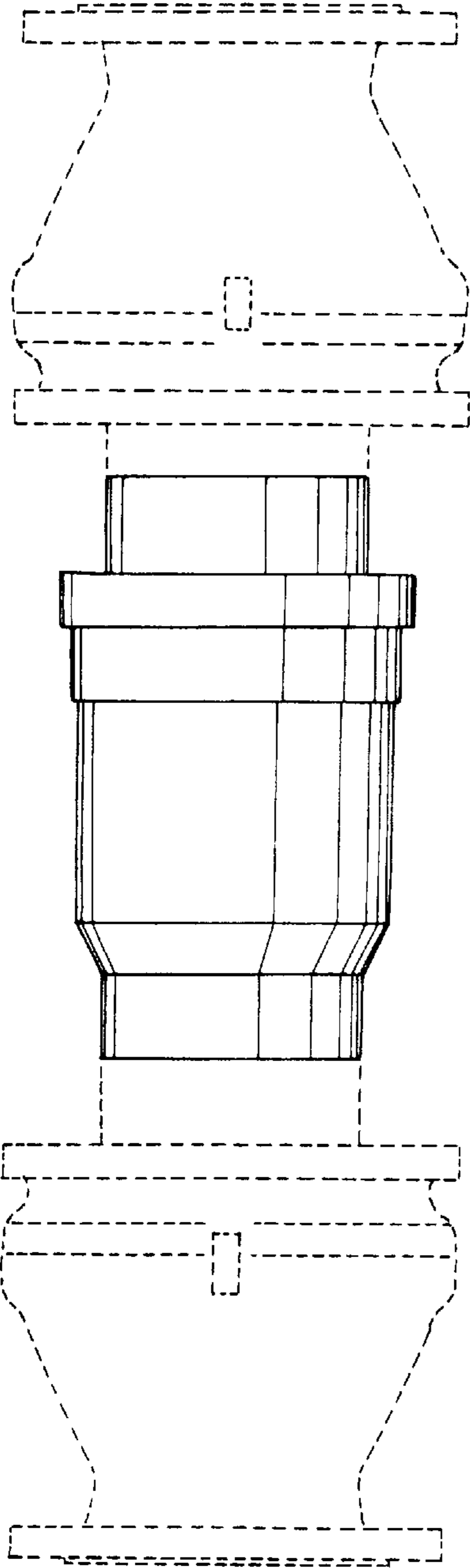


FIG. 4

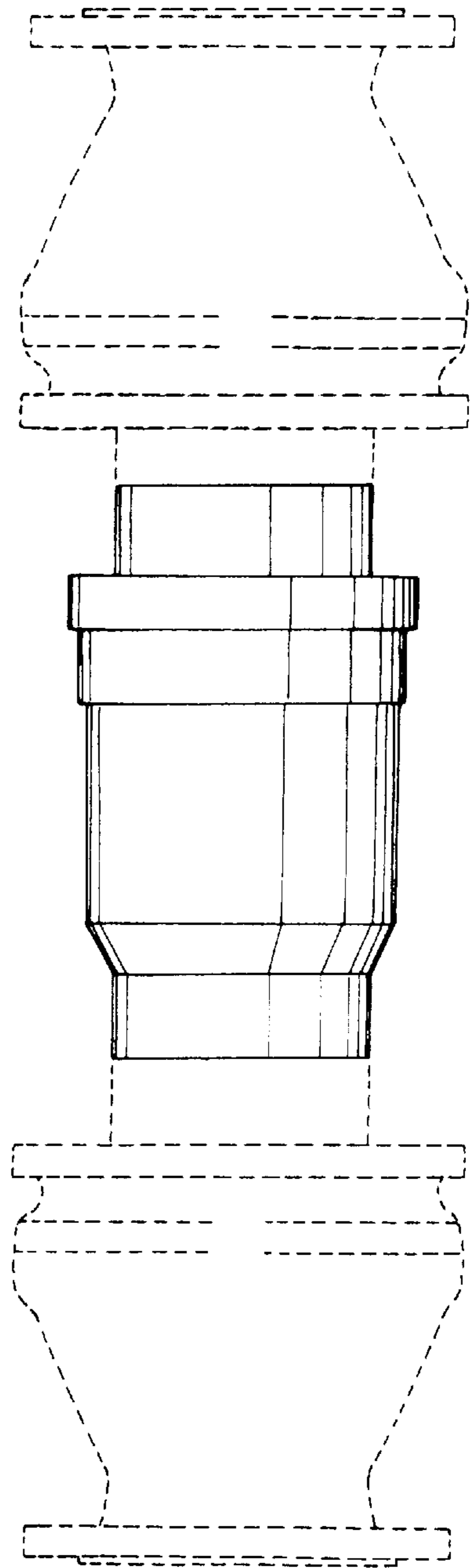


FIG.5

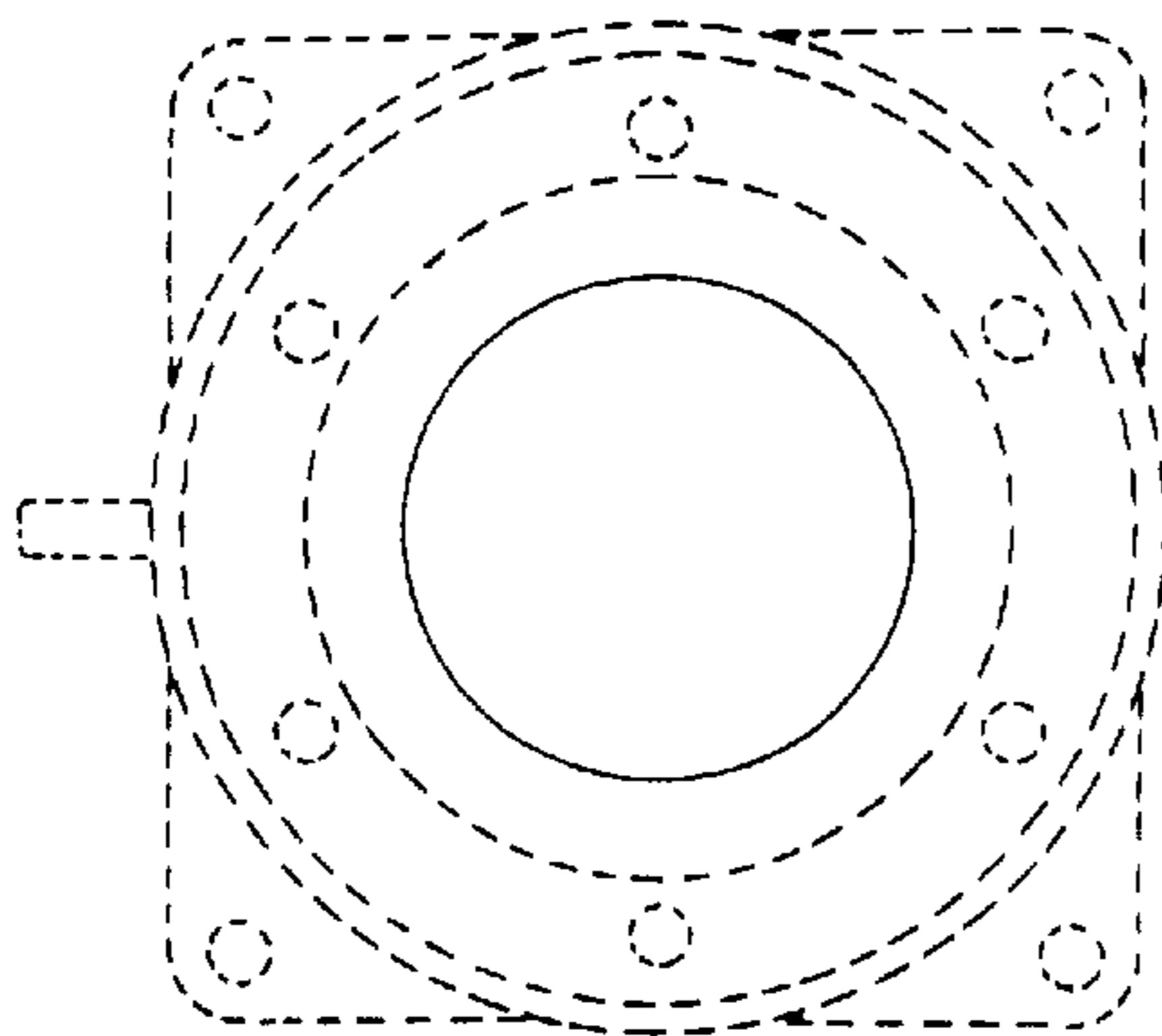


FIG.6

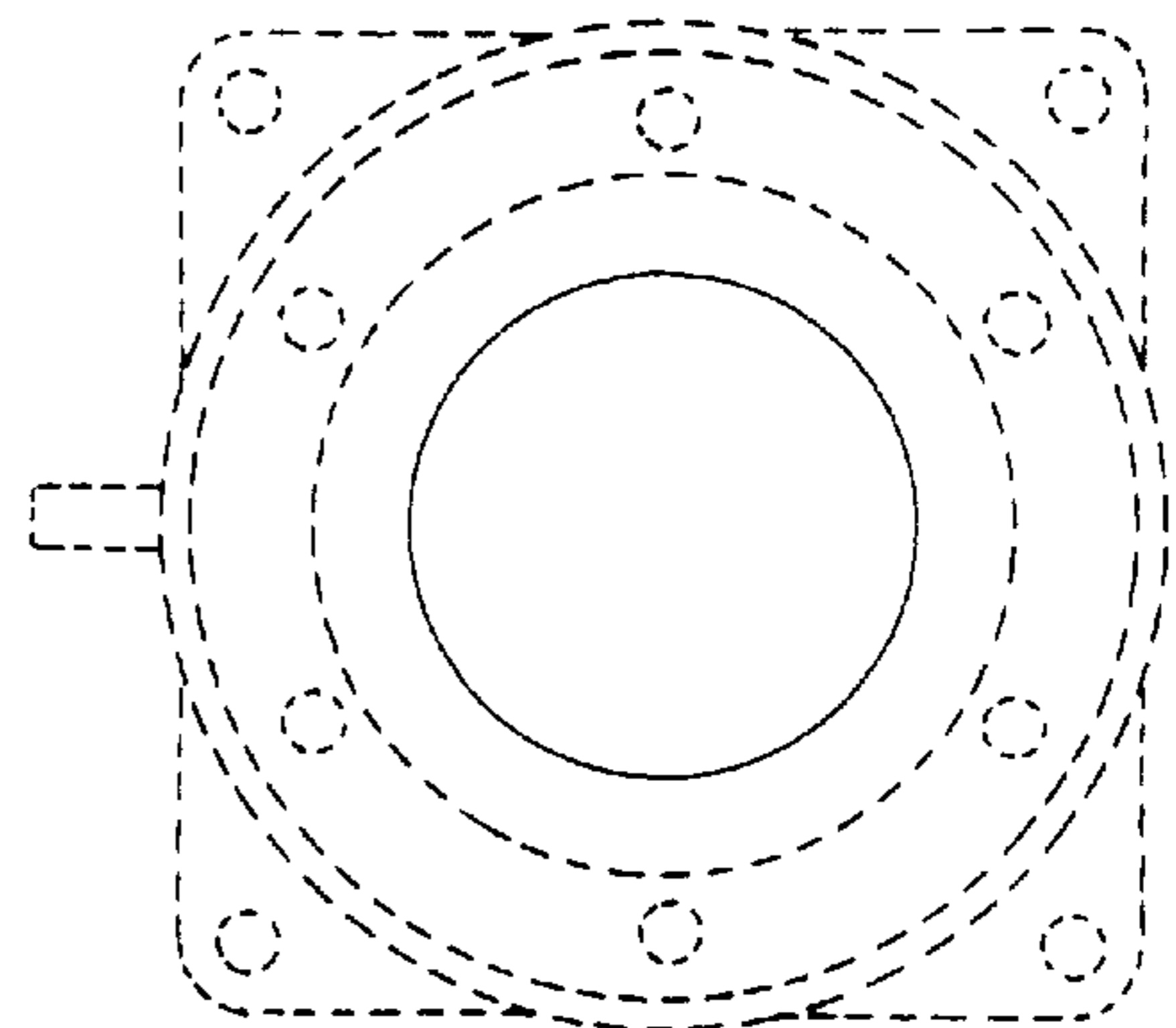


FIG.7

