



US00D428803S

United States Patent [19]
Foster

[11] **Patent Number: Des. 428,803**

[45] **Date of Patent: ** Aug. 1, 2000**

[54] **HOOK UNIT**

[76] Inventor: **Anthony Howard Foster**, P.O. Box 580698, Tulsa, Okla. 74158

[**] Term: **14 Years**

[21] Appl. No.: **29/114,727**

[22] Filed: **Nov. 30, 1999**

Related U.S. Application Data

[63] Continuation-in-part of application No. 29/098,272, Dec. 23, 1998.

[51] **LOC (7) Cl.** **08-05**

[52] **U.S. Cl.** **D8/372**

[58] **Field of Search** D8/372; D6/317, D6/566, 572; 211/87.1; 248/302, 303

[56] **References Cited**

U.S. PATENT DOCUMENTS

D. 237,142	10/1975	Barnes .	
D. 265,721	8/1982	Emgard et al.	D8/8
D. 295,344	4/1988	Pryor et al.	D8/372
2,865,049	12/1958	Duerksen	248/302
2,985,311	5/1961	Abel	211/86
4,162,015	7/1979	Hodges	211/87
4,467,926	8/1984	Percival	211/106
4,801,116	1/1989	Blankenship	248/220.4

OTHER PUBLICATIONS

Taiwan Hardware, hook, item no. 1603, Aug. 1995.
Stanley Hardware, p. 216, storage hook located in right corner, May 1980.

Primary Examiner—Holly Baynham
Attorney, Agent, or Firm—Lawrence R. Watson, Esq.; Gardere & Wynne, L.L.P.

[57] **CLAIM**

The ornamental design for a hook unit, as shown and described.

DESCRIPTION

FIG. 1 is an isometric projection view of a hook unit showing my new design.

FIG. 2 is a front elevational view thereof;

FIG. 3 is a top plan view thereof;

FIG. 4 is a right side elevational view thereof, at a slightly smaller scale than FIG. 2

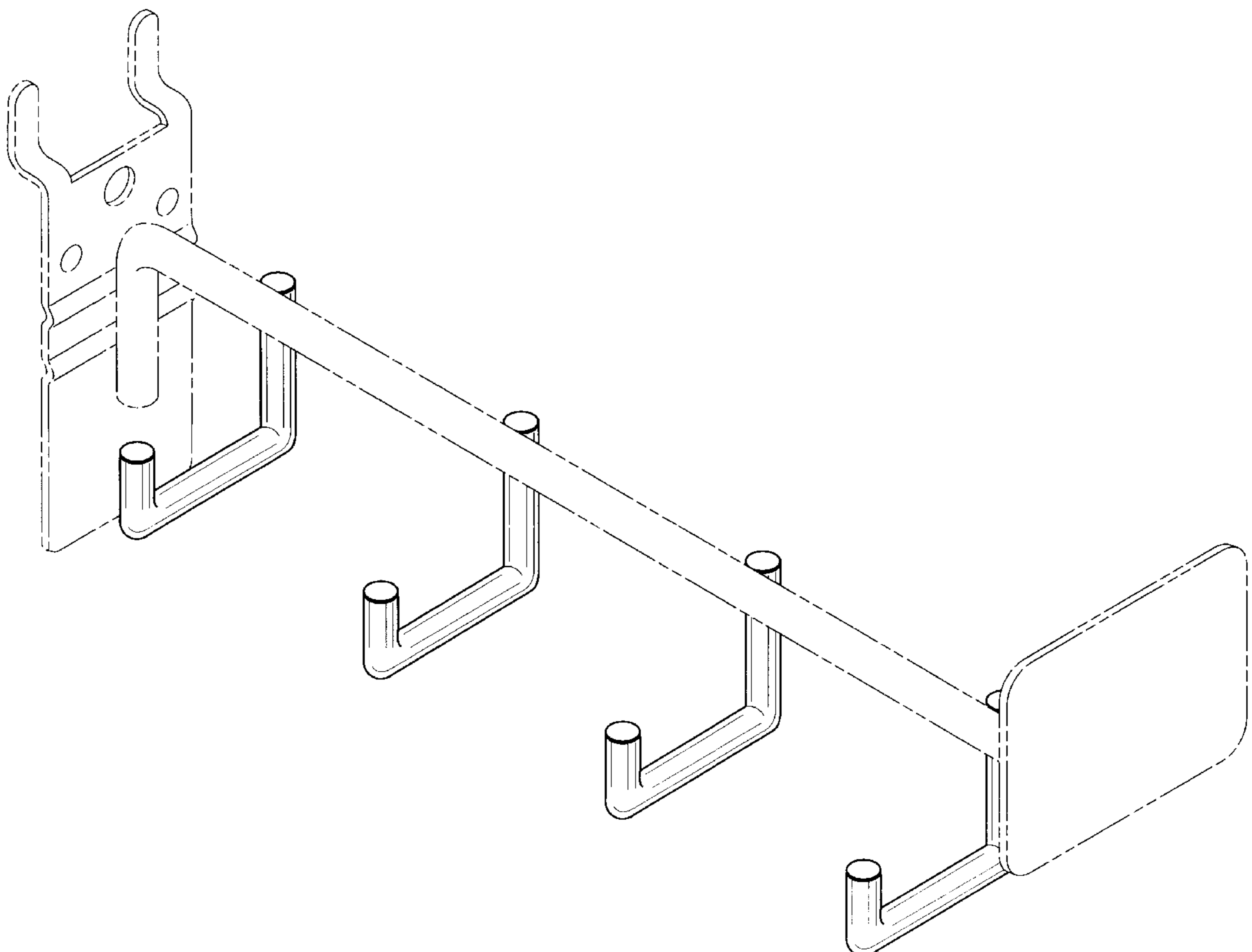
FIG. 5 is a left side elevational view thereof, at the same scale as FIG. 4.

FIG. 6 is a rear elevational view thereof, at the same scale as FIG. 2; and,

FIG. 7 is a bottom plan view thereof.

The broken line showing of hook supporting structure is for illustrative purposes only and forms no part of the claimed design.

1 Claim, 3 Drawing Sheets



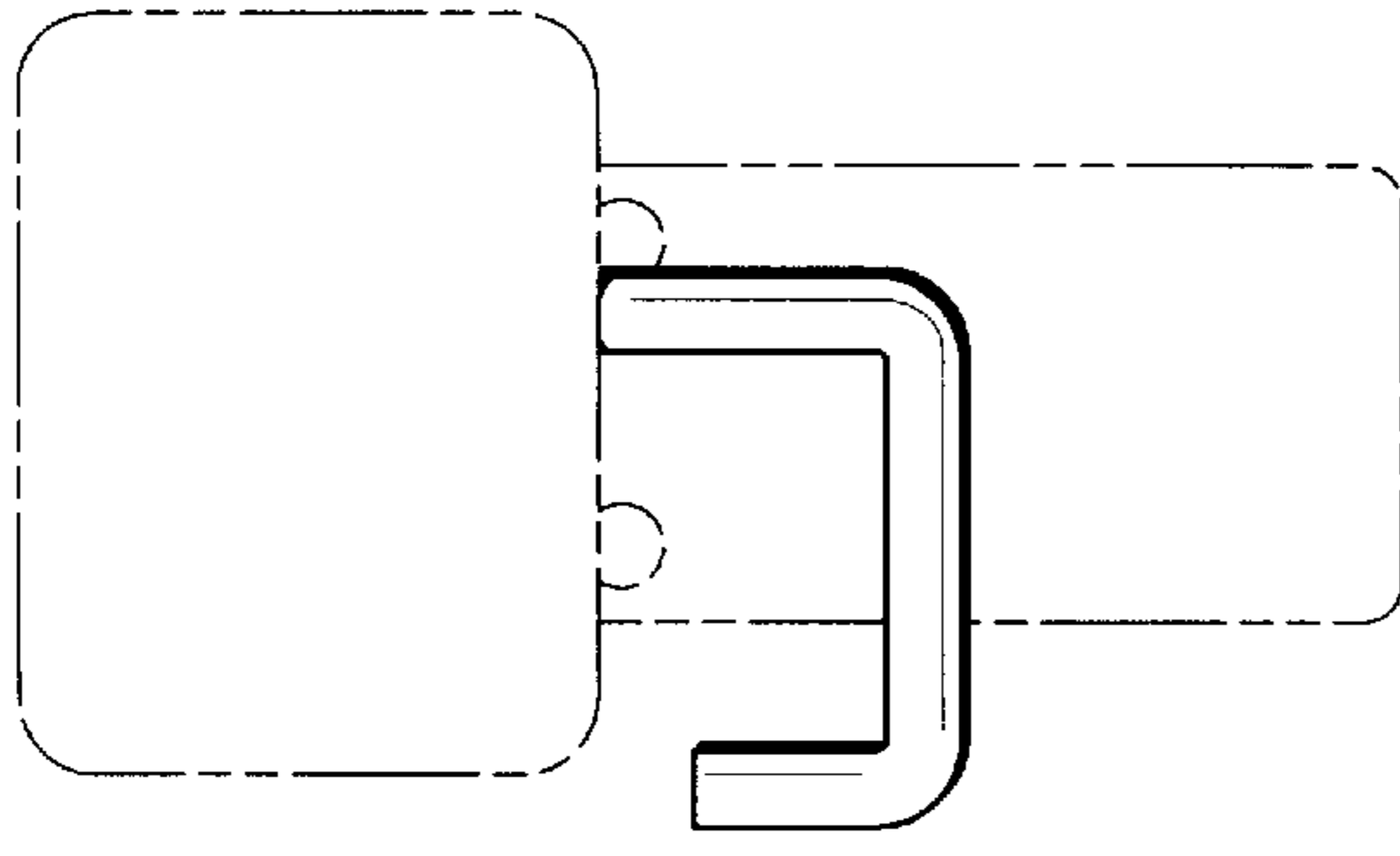


Fig. 4

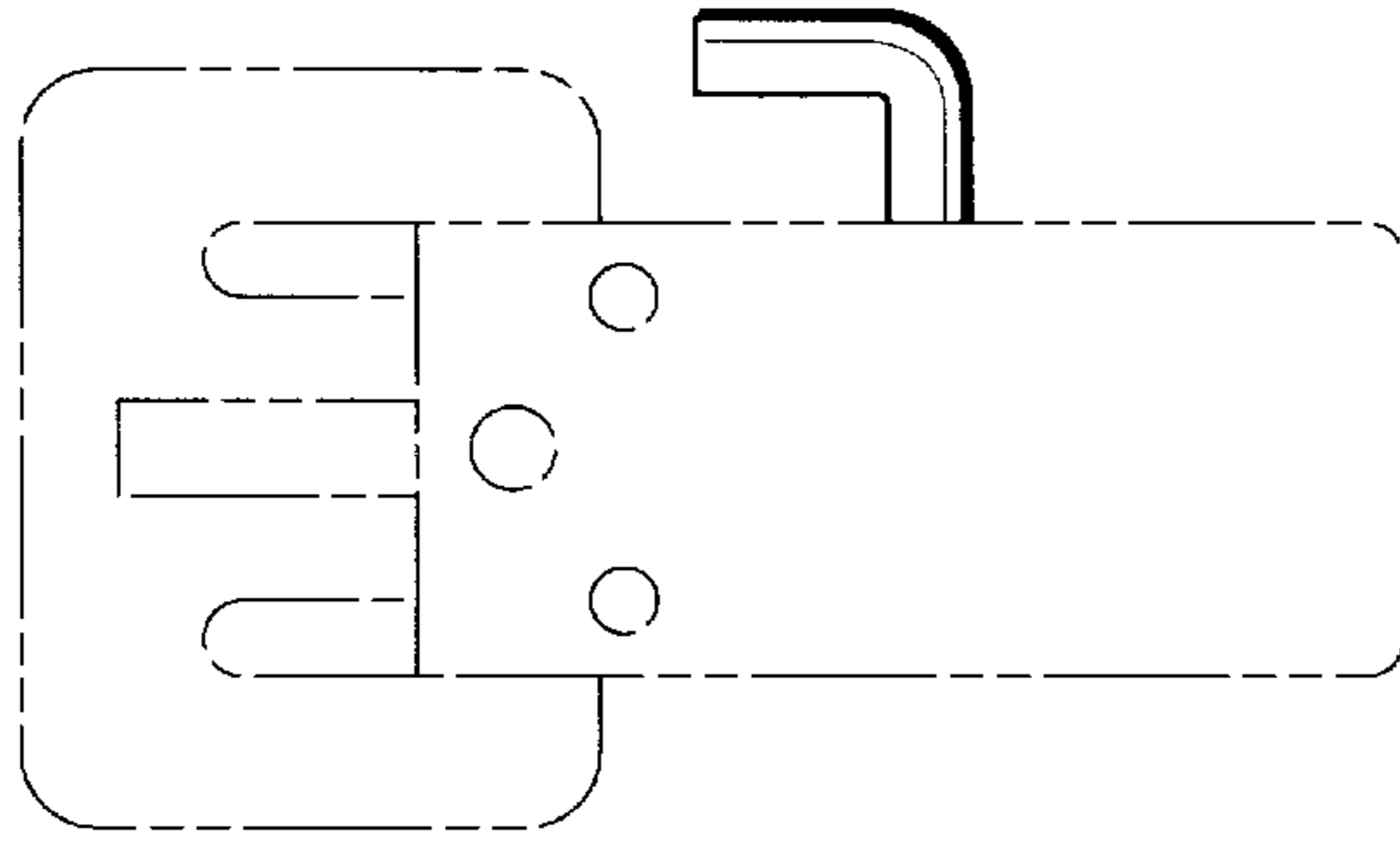


Fig. 5

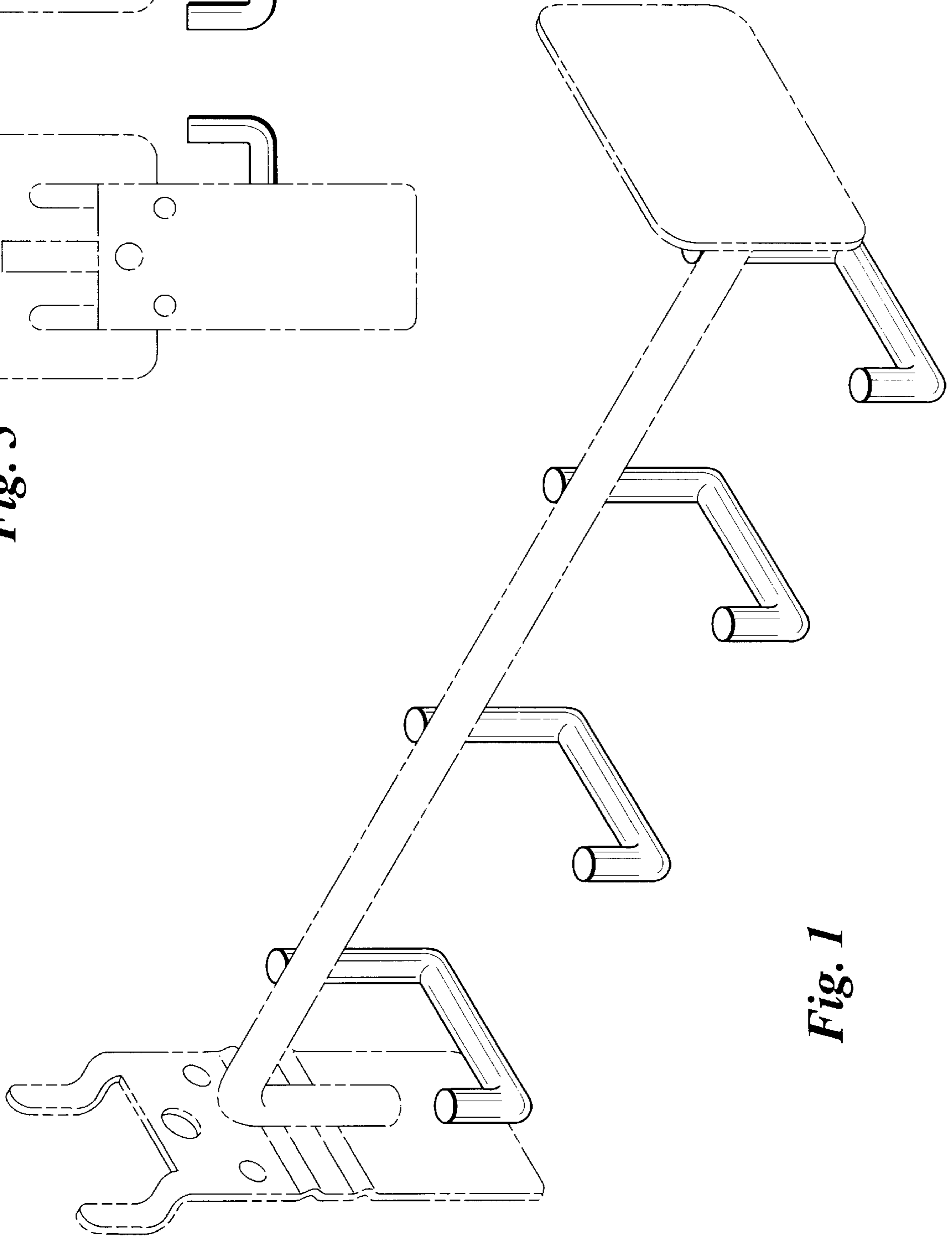


Fig. 1

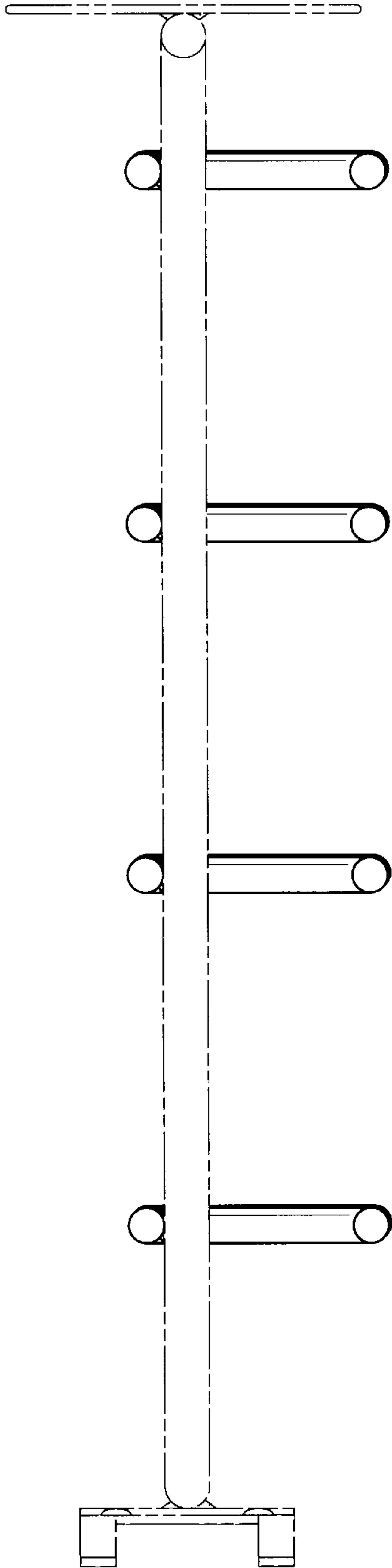


Fig. 3

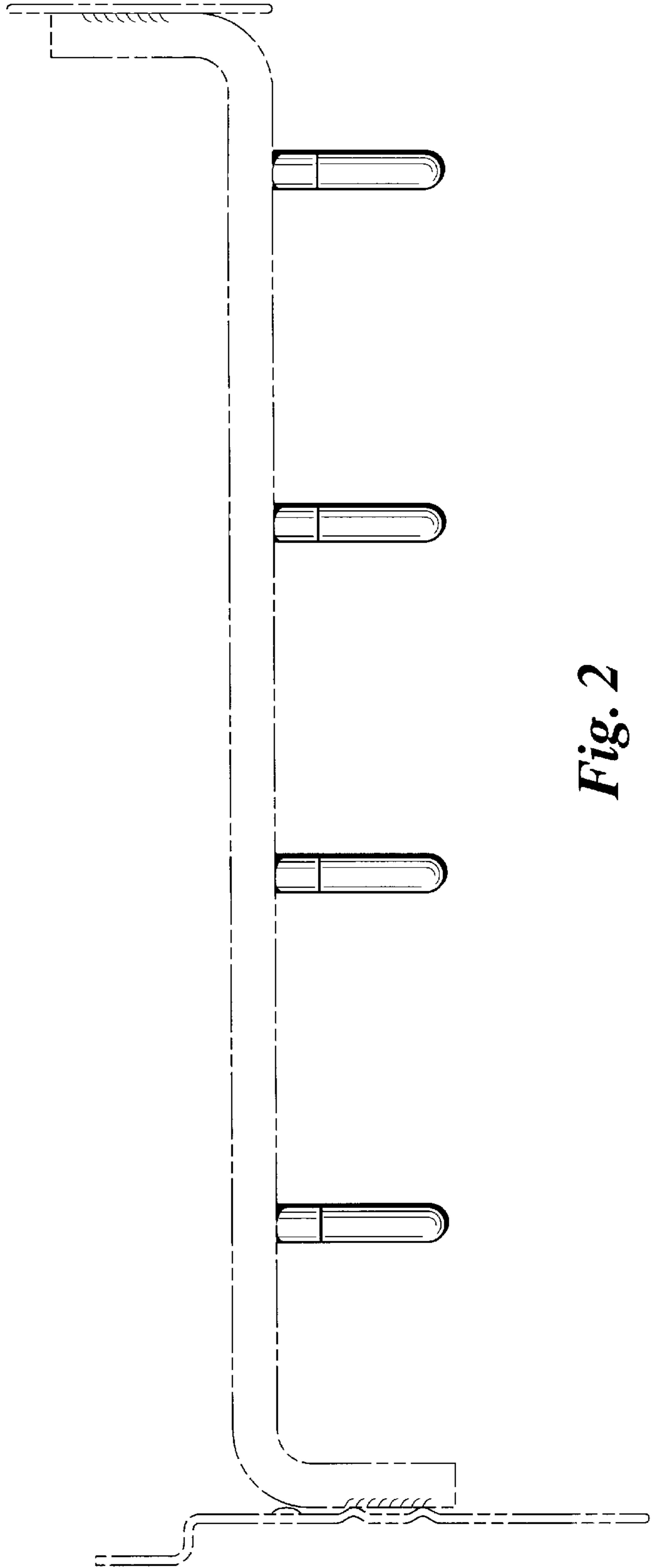


Fig. 2

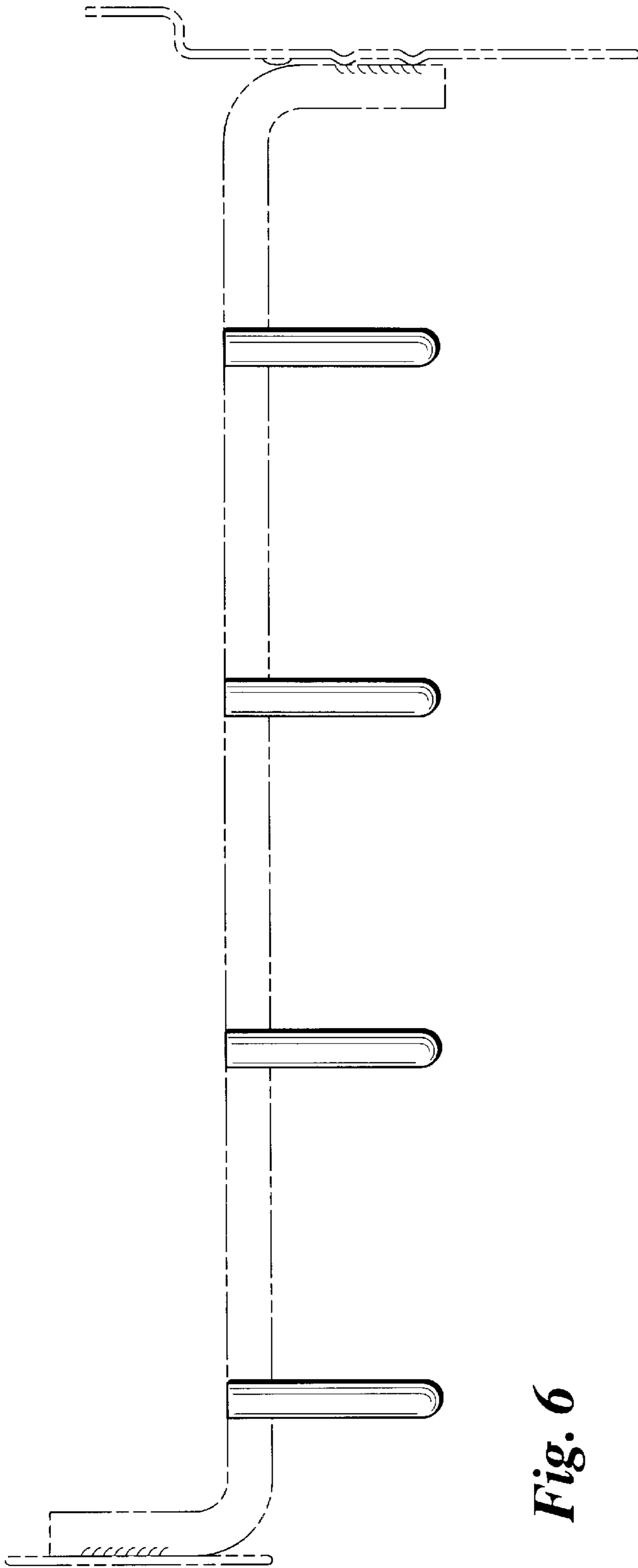


Fig. 6

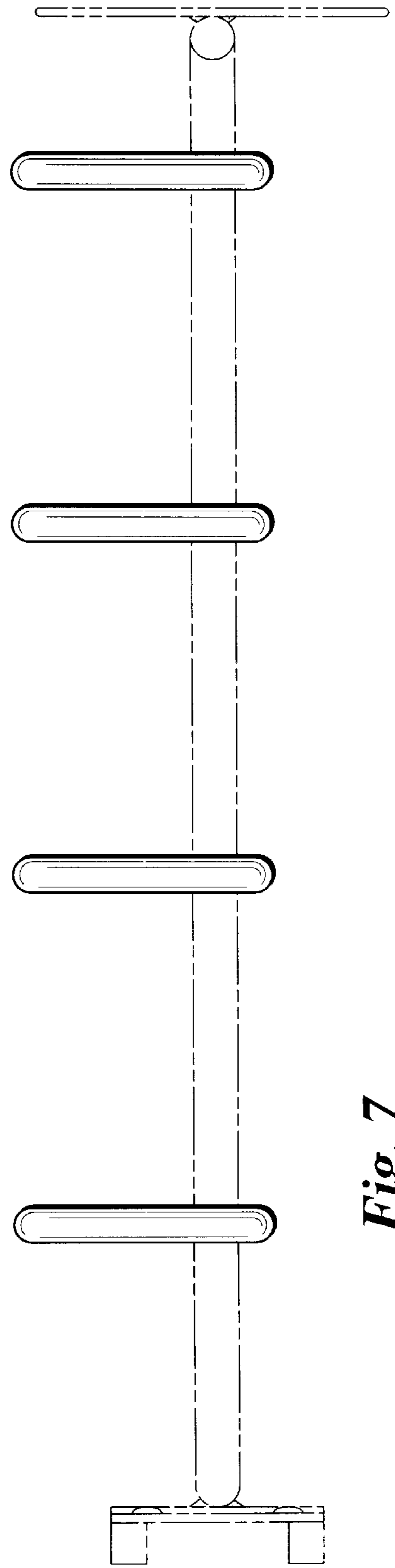


Fig. 7