



US00D428800S

United States Patent [19]
Östgren

[11] **Patent Number: Des. 428,800**

[45] **Date of Patent: ** Aug. 1, 2000**

[54] **REEL**

D. 400,082 10/1998 Colman D8/358

[75] Inventor: **Lars R. Östgren**, Göteborg, Sweden

Primary Examiner—Holly Baynham
Attorney, Agent, or Firm—Burns, Doane, Swecker & Mathis, L.L.P.

[73] Assignee: **ESAB AB**, Göteborg, Sweden

[**] Term: **14 Years**

[21] Appl. No.: **29/106,570**

[57] **CLAIM**
The ornamental design for a reel, as shown and described.

[22] Filed: **Jun. 18, 1999**

DESCRIPTION

[30] **Foreign Application Priority Data**

Dec. 18, 1998 [SE] Sweden 98-2475
Dec. 18, 1998 [SE] Sweden 98-2476

FIG. 1 is a perspective view of a reel according to my new design;

[51] **LOC (7) Cl.** **08-05**

FIG. 2 is a side elevational view thereof;

[52] **U.S. Cl.** **D8/358**

FIG. 3 is a front elevational view thereof;

[58] **Field of Search** D8/358; 242/308.8,
242/604.1, 388.1, 129

FIG. 4 is a perspective view of a reel according to a further embodiment of my new design;

FIG. 5 is a side elevational view thereof; and,

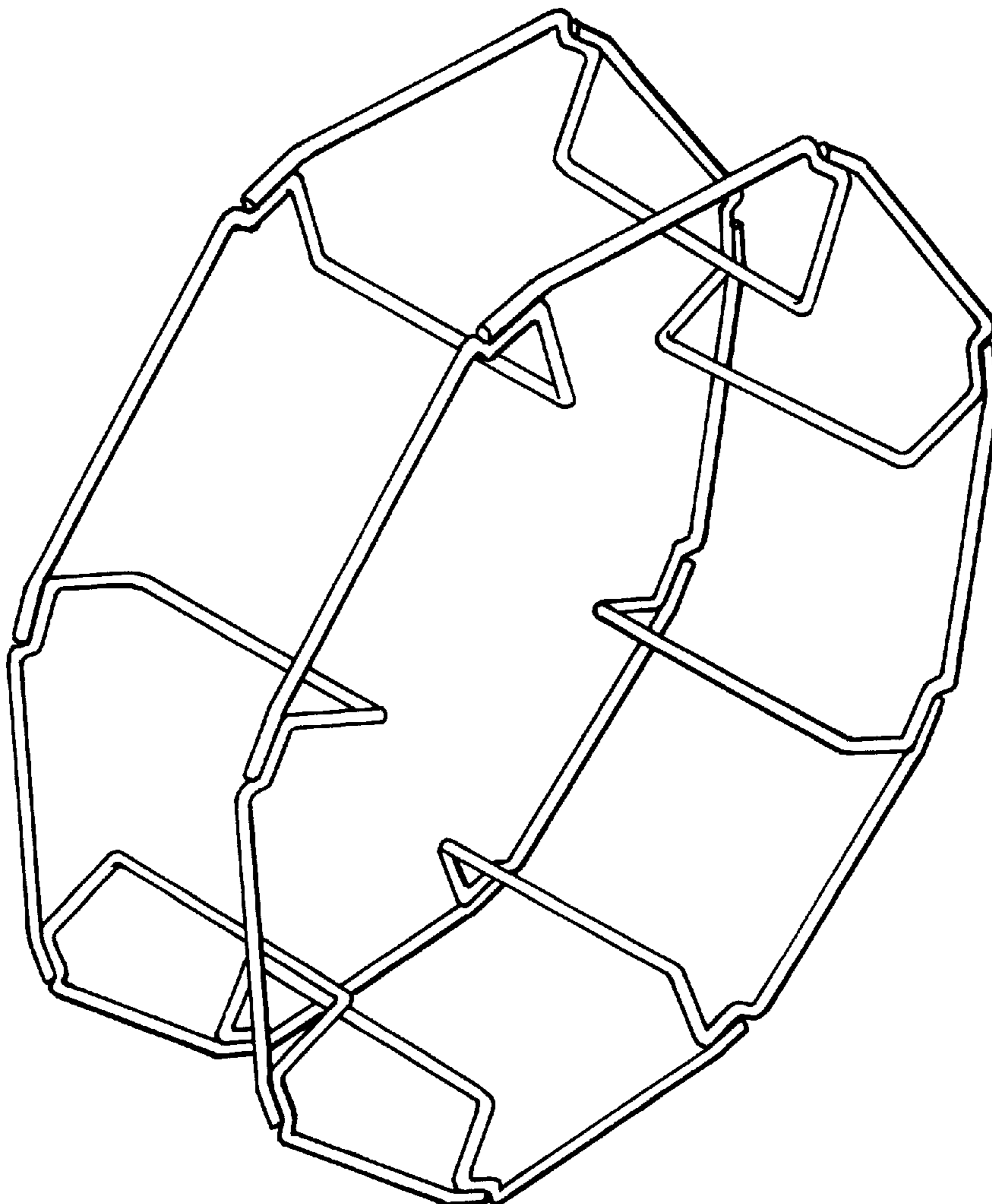
FIG. 6 is a front elevational view thereof.

[56] **References Cited**

U.S. PATENT DOCUMENTS

D. 352,230 11/1994 Colman D8/358

1 Claim, 4 Drawing Sheets



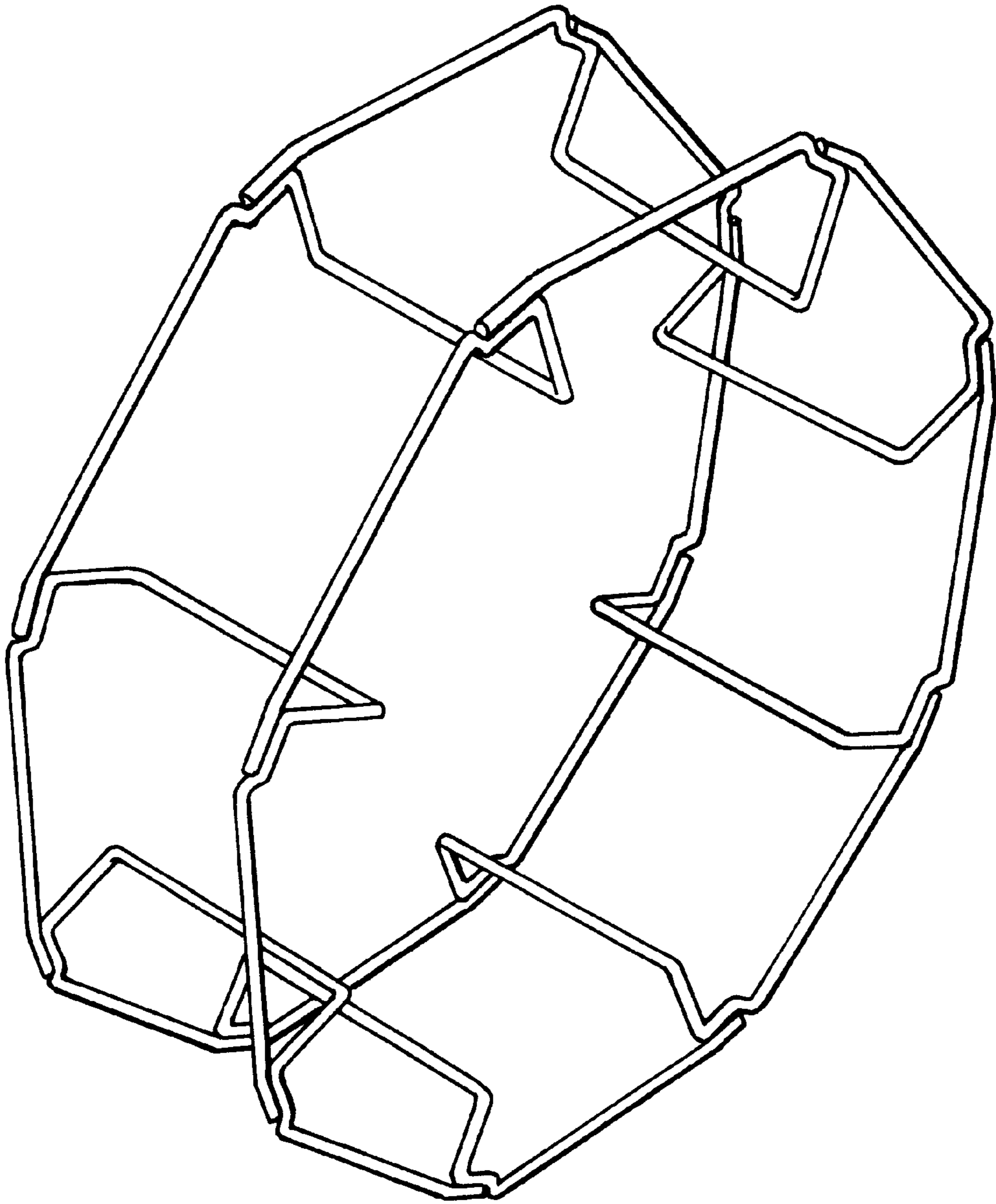


Figure 1

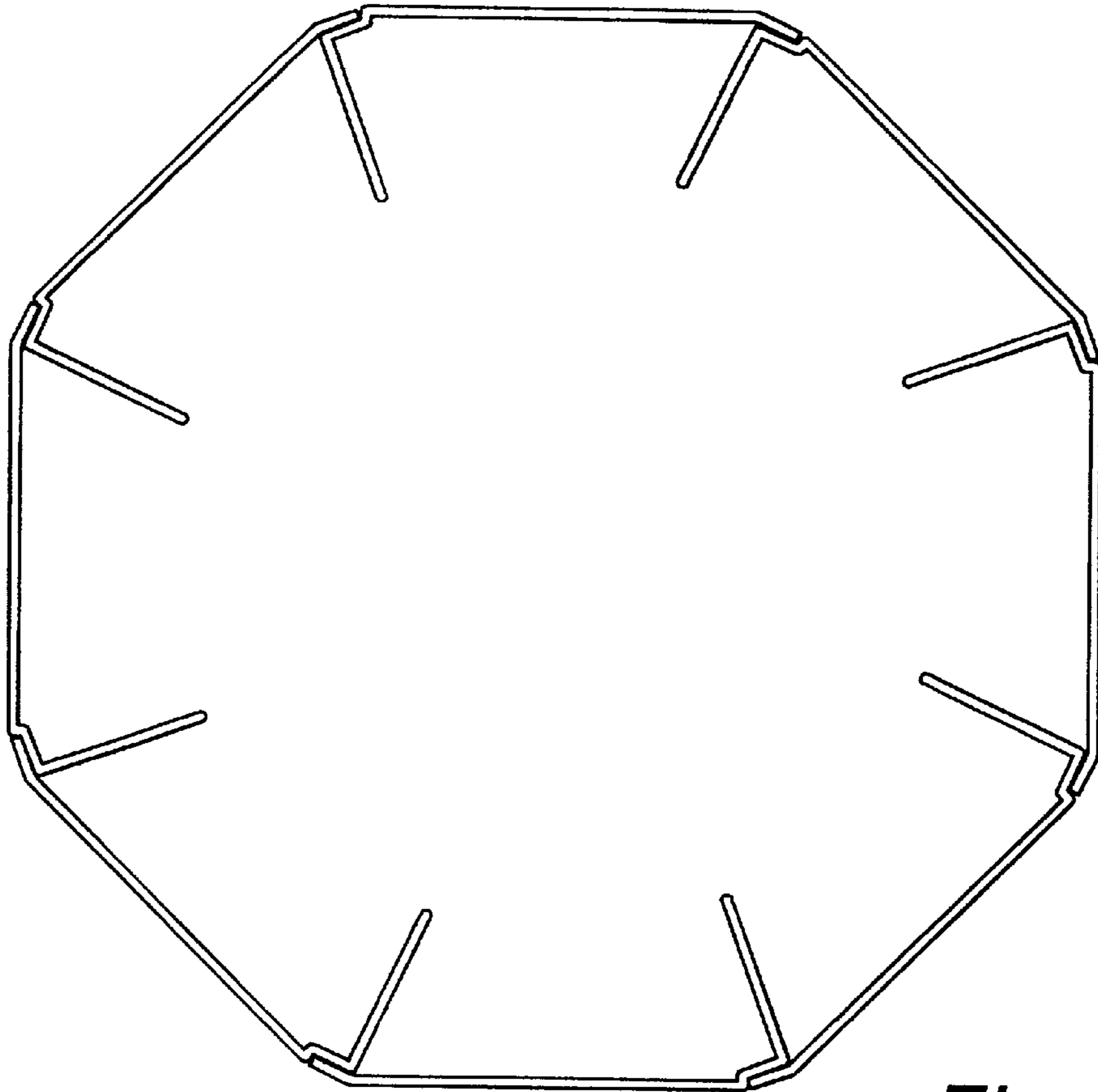


Figure 2

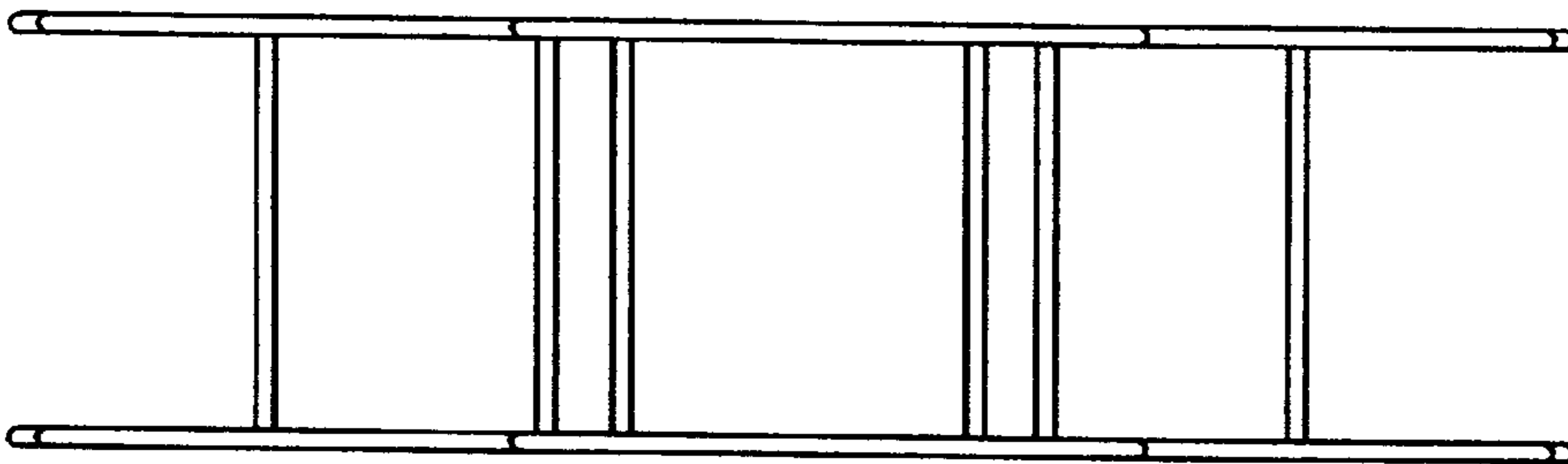


Figure 3

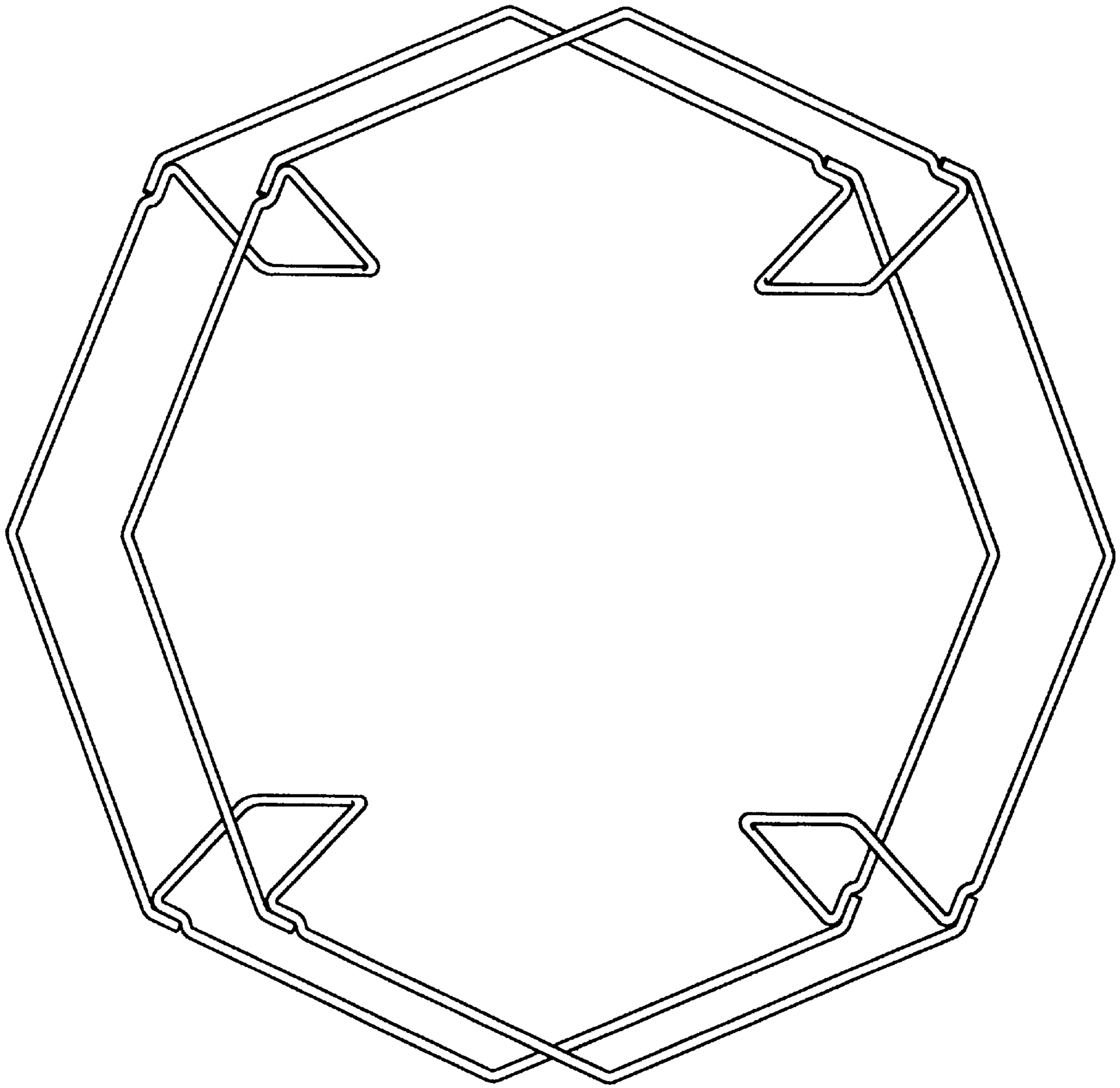


Figure 4

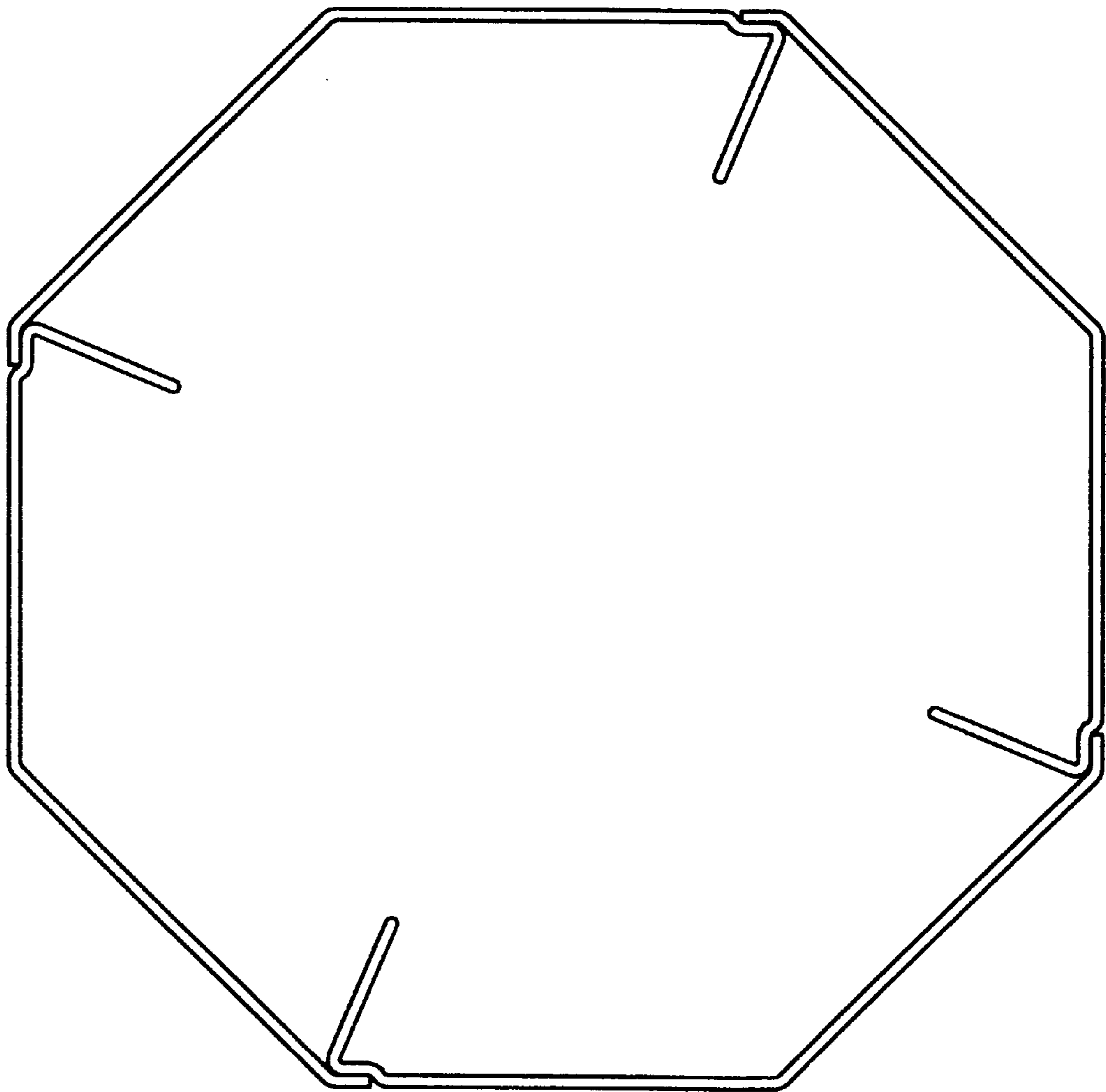


Figure 5

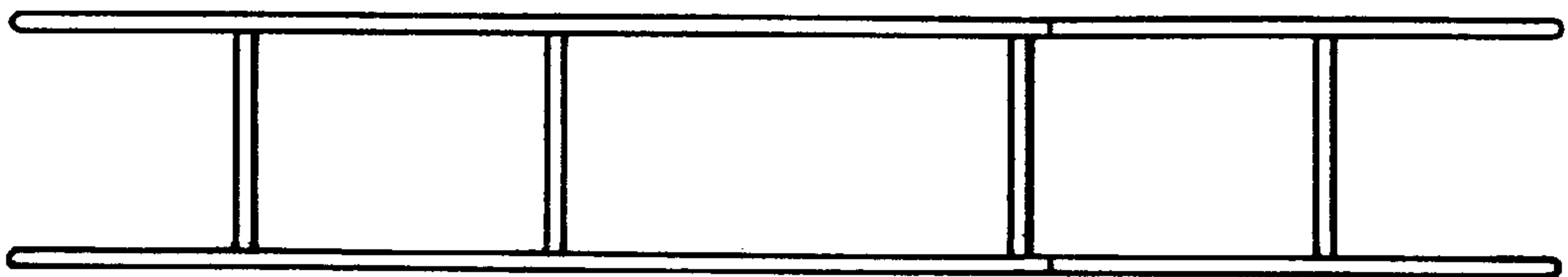


Figure 6