



US00D428797S

United States Patent [19] Lin

[11] **Patent Number: Des. 428,797**

[45] **Date of Patent: ** Aug. 1, 2000**

[54] **LUGGAGE BEZEL**

[75] Inventor: **Jer Hong Lin**, Taipei, Taiwan

[73] Assignee: **Chaw Khong Technology Co., Ltd.**,
Taiwan

[**] Term: **14 Years**

[21] Appl. No.: **29/103,932**

[22] Filed: **Apr. 26, 1999**

[51] **LOC (7) Cl.** **11-05**

[52] **U.S. Cl.** **D8/350; D8/321**

[58] **Field of Search** D8/321, 300, 350;
D3/276, 279, 281, 282, 291, 318; 190/115-118;
16/111 R

[56] **References Cited**

U.S. PATENT DOCUMENTS

D. 373,428	9/1996	Wang	D3/318
D. 392,099	3/1998	Wang	D3/318
D. 393,746	4/1998	Wang	D3/318

D. 415,008	10/1999	Wang	D8/321
5,566,798	10/1996	Tsai	190/115
5,624,012	4/1997	Wang	190/115
5,816,374	10/1998	Hsien	190/115
5,924,169	7/1999	Lu	190/115
5,927,451	7/1999	Tsai	190/115

Primary Examiner—Louis S. Zarfaz
Assistant Examiner—Robert A. Delehantz
Attorney, Agent, or Firm—Dougherty & Troxell

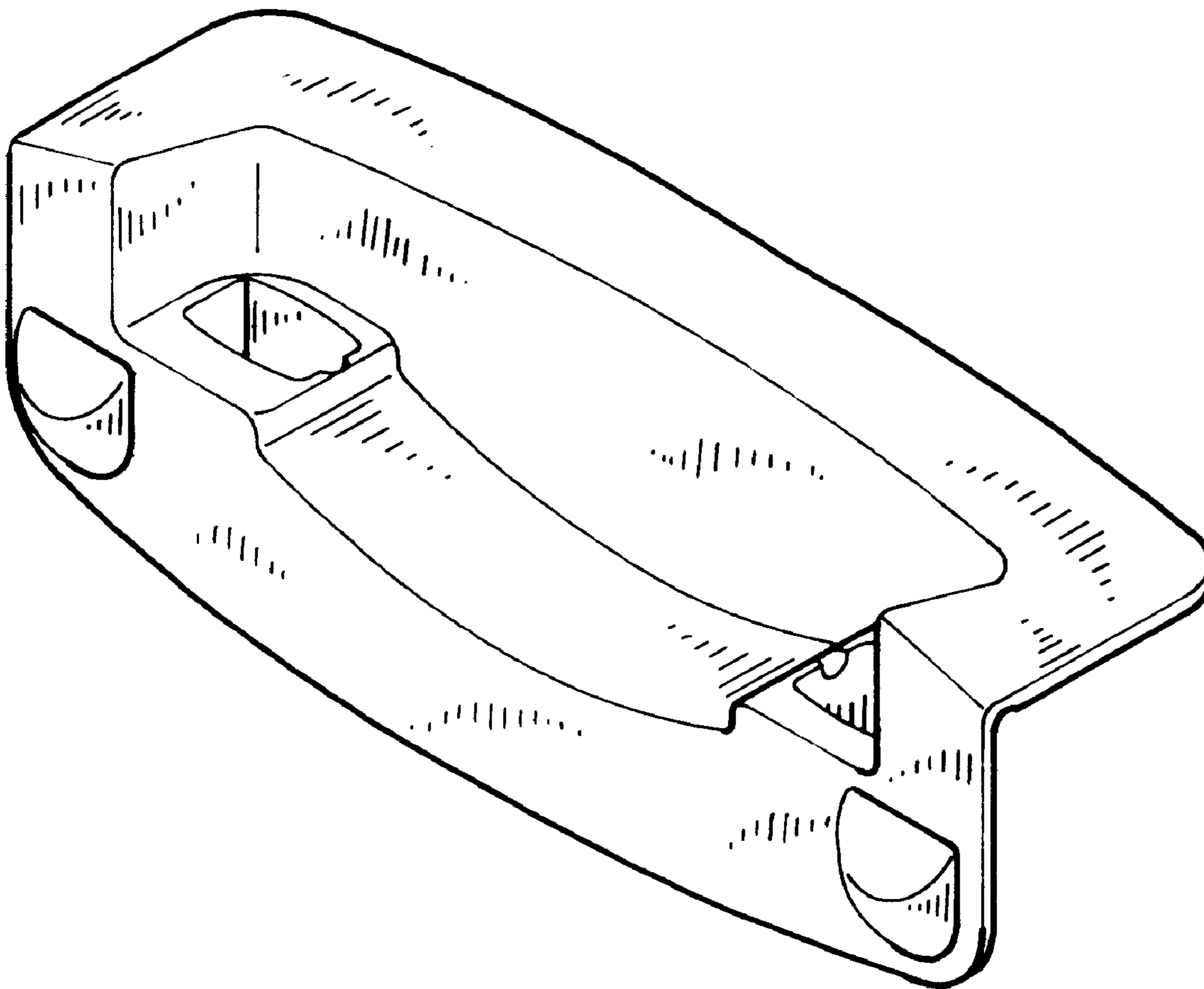
[57] **CLAIM**

The ornamental design for a luggage bezel, as shown.

DESCRIPTION

FIG. 1 is a perspective view of the luggage bezel of this invention;
FIG. 2 is a front elevational view thereof;
FIG. 3 is a rear elevational view thereof;
FIG. 4 is a left side elevational view thereof;
FIG. 5 is a right side elevational view thereof; and,
FIG. 6 is a top plan view thereof.

1 Claim, 4 Drawing Sheets



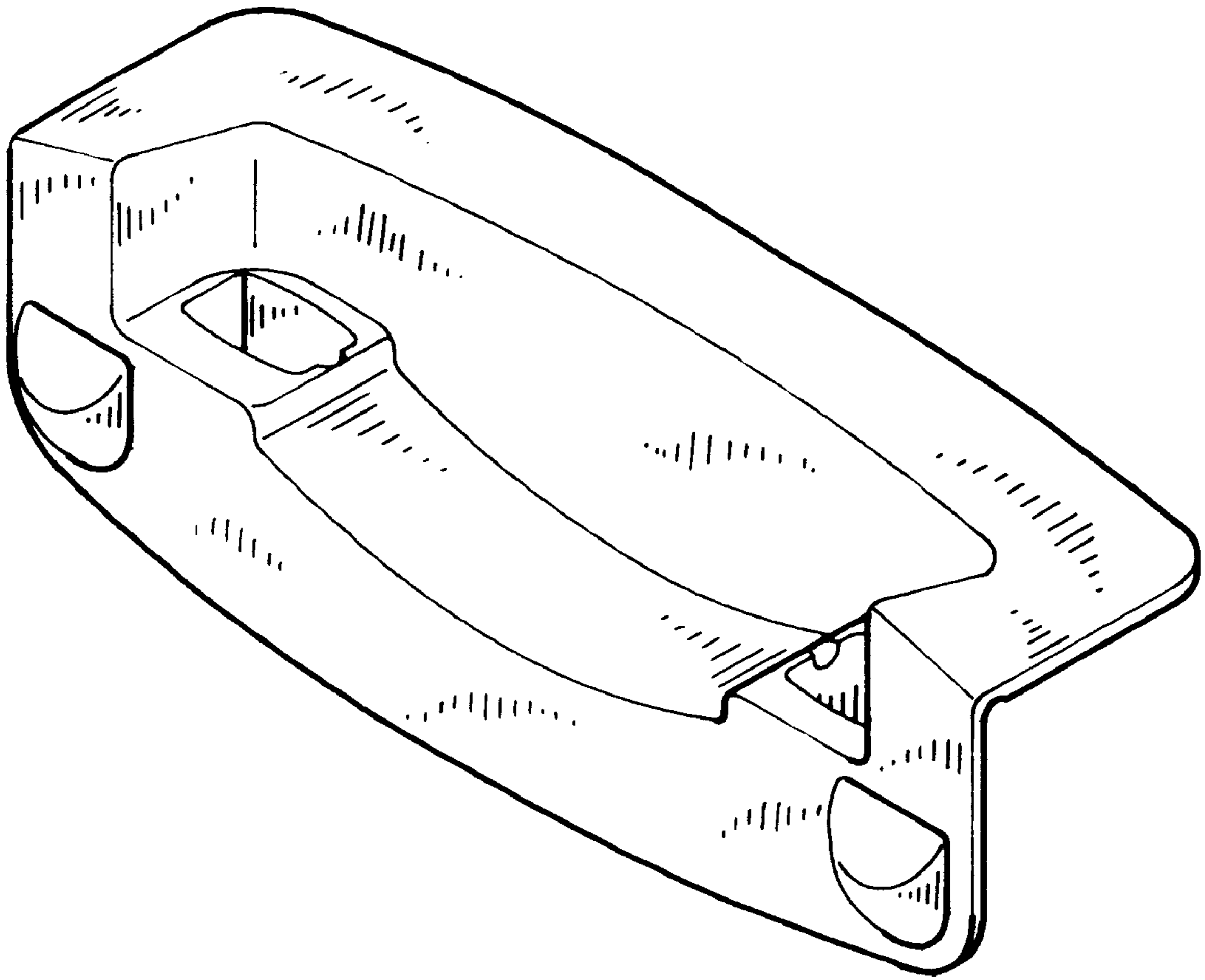


FIG. 1

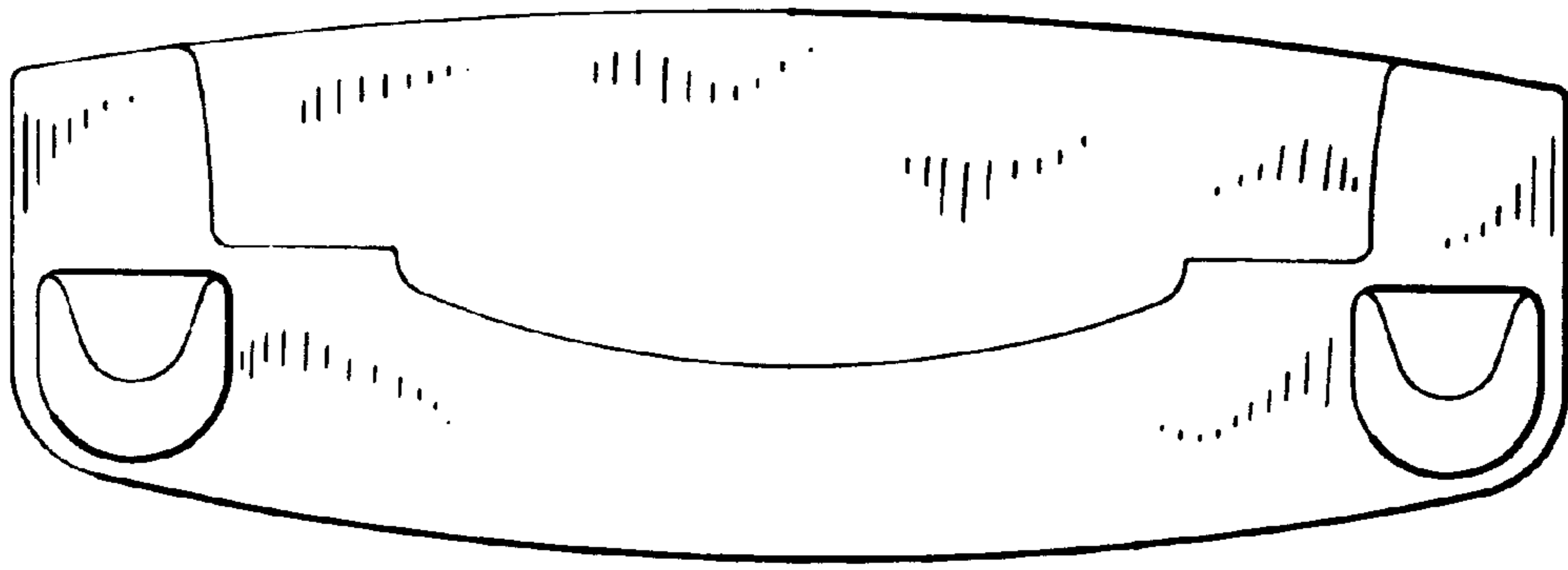


FIG. 2

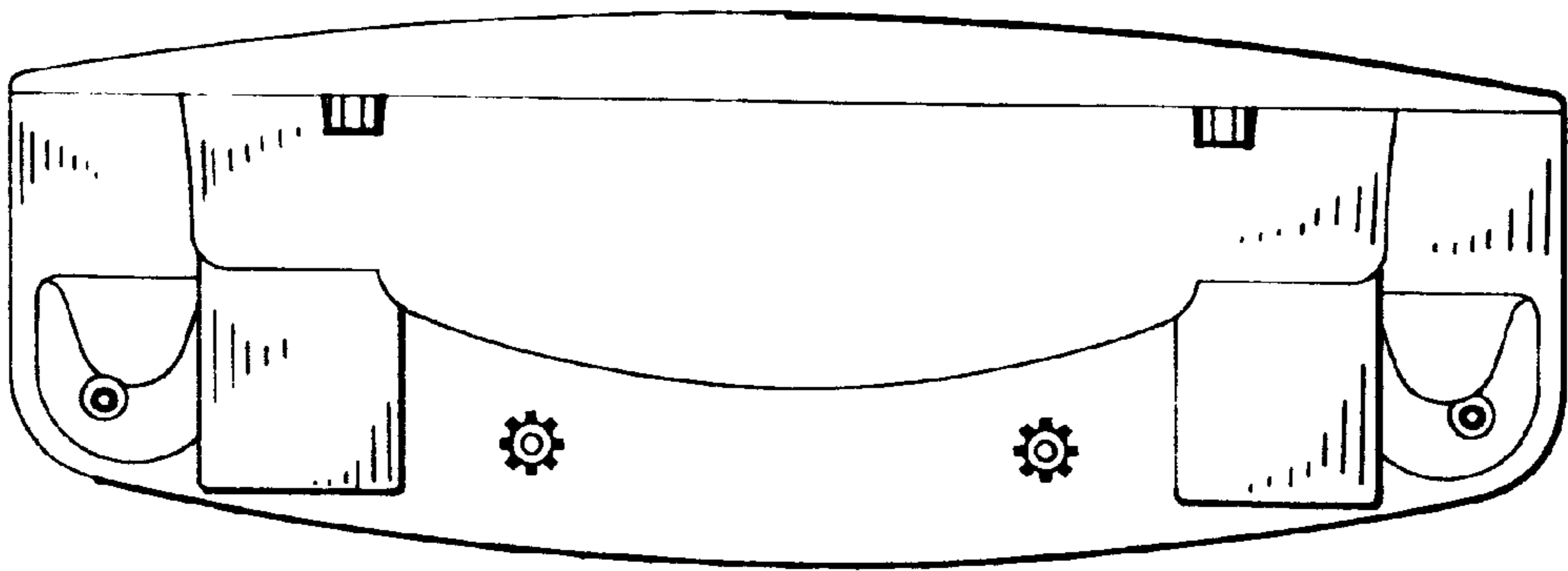


FIG. 3

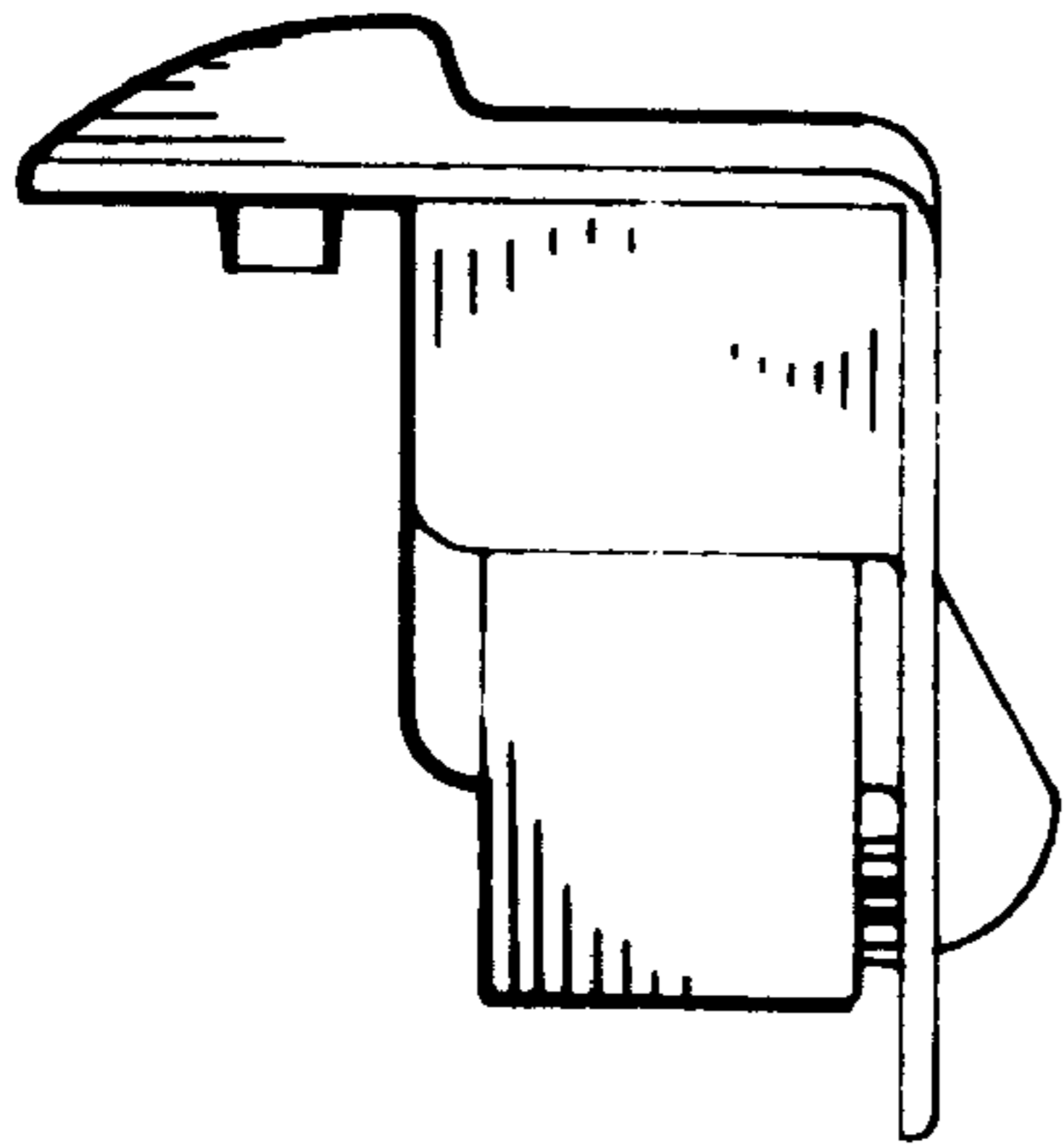


FIG. 4

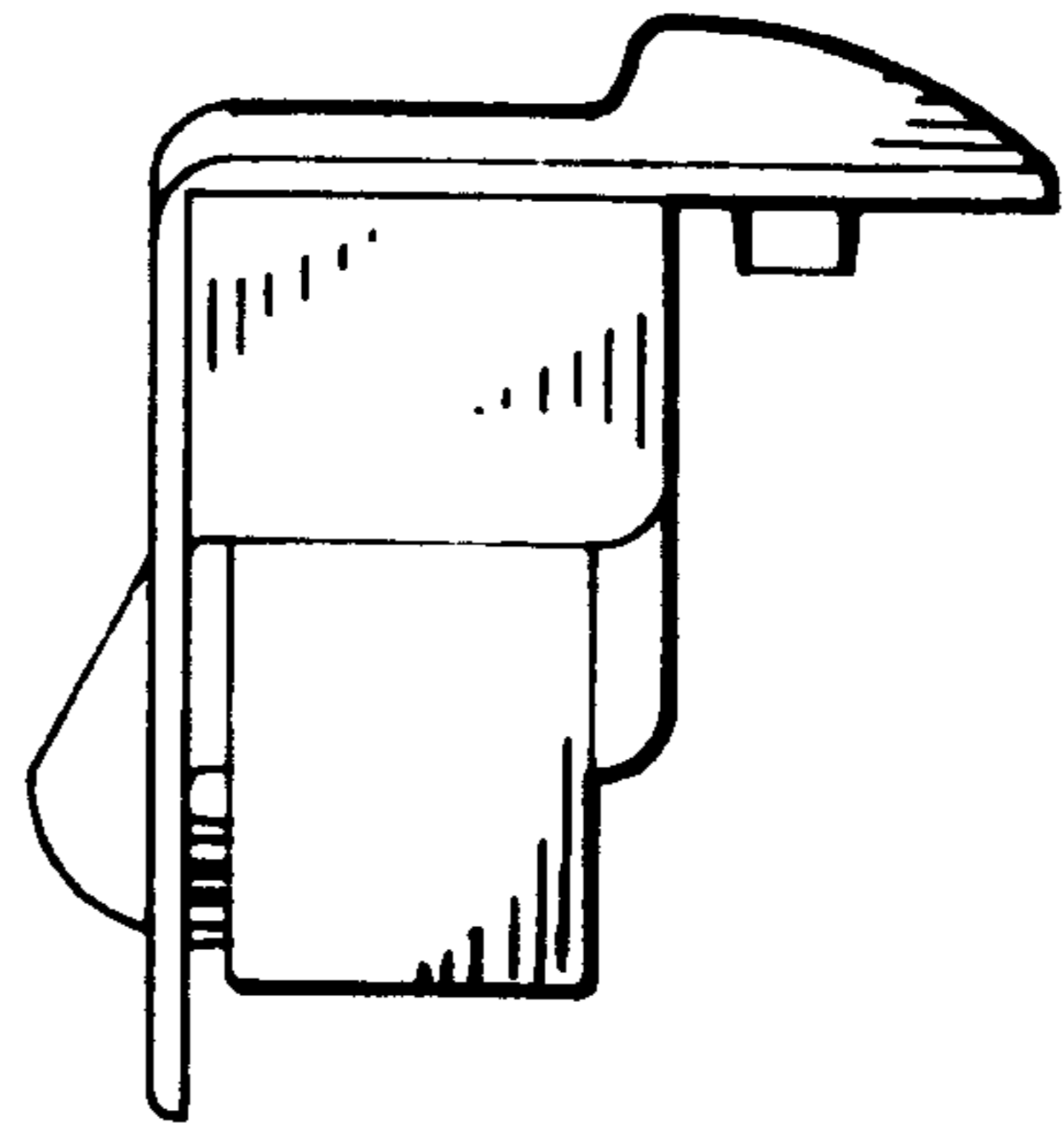


FIG. 5

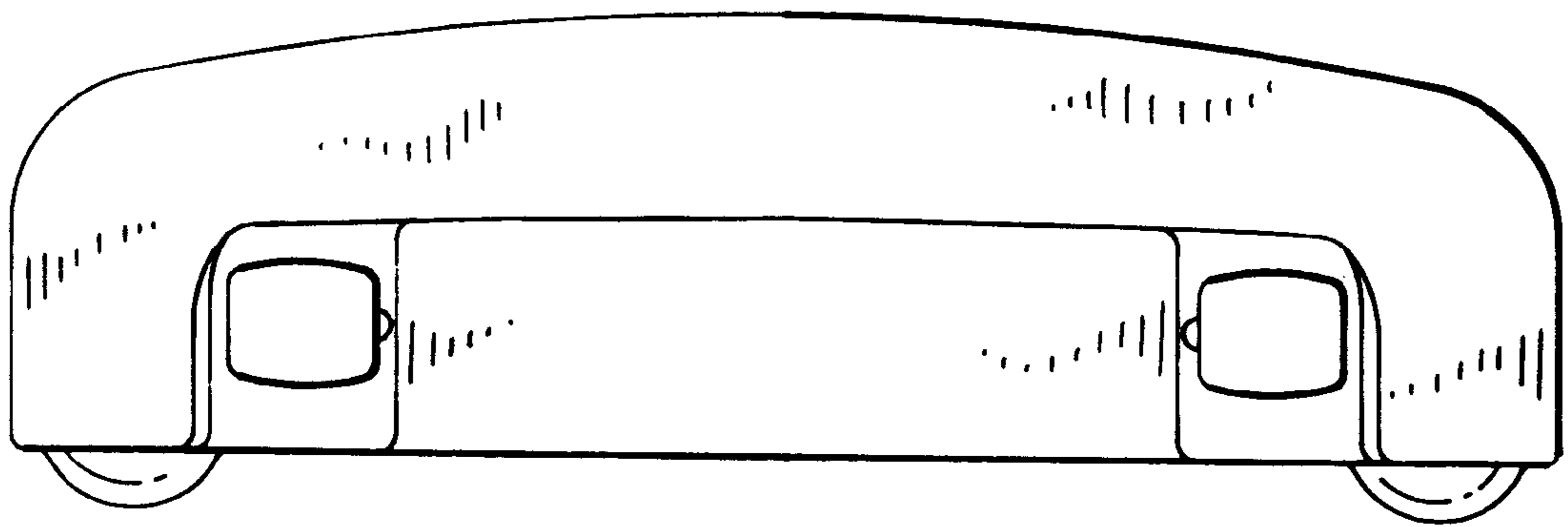


FIG. 6