



US00D428795S

United States Patent [19]
Wyers

[11] **Patent Number: Des. 428,795**

[45] **Date of Patent: ** Aug. 1, 2000**

[54] **LOCKING ROD DEVICE**

[76] Inventor: **Philip W. Wyers**, 6476 S. Ivy Ct., Englewood, Colo. 80111

[**] Term: **14 Years**

[21] Appl. No.: **29/078,962**

[22] Filed: **Oct. 27, 1997**

[51] **LOC (7) Cl.** **08-07**

[52] **U.S. Cl.** **D8/341**

[58] **Field of Search** D8/330, 331, 336, D8/339, 341, 343; 70/181, 91, 14, 34, 33; 292/86, 259 R, 156, 119, 41

[56] **References Cited**

U.S. PATENT DOCUMENTS

D. 388,686	1/1998	Goodwin et al.	D8/331
D. 396,797	8/1998	Sernoskie	D8/339
4,711,106	12/1987	Johnson	70/34
4,732,019	3/1988	Tolar	70/181 X
5,540,065	7/1996	Wyers	70/34 X

Primary Examiner—Susan J. Lucas
Assistant Examiner—Jennifer Rivard

[57] **CLAIM**

The ornamental design for a locking rod device, as shown and described.

DESCRIPTION

FIG. 1 is an end perspective view of the locking rod device. FIG. 2 is an opposite end view thereof.

FIG. 3 is a front elevation view thereof, the rear elevation view is a mirror image.

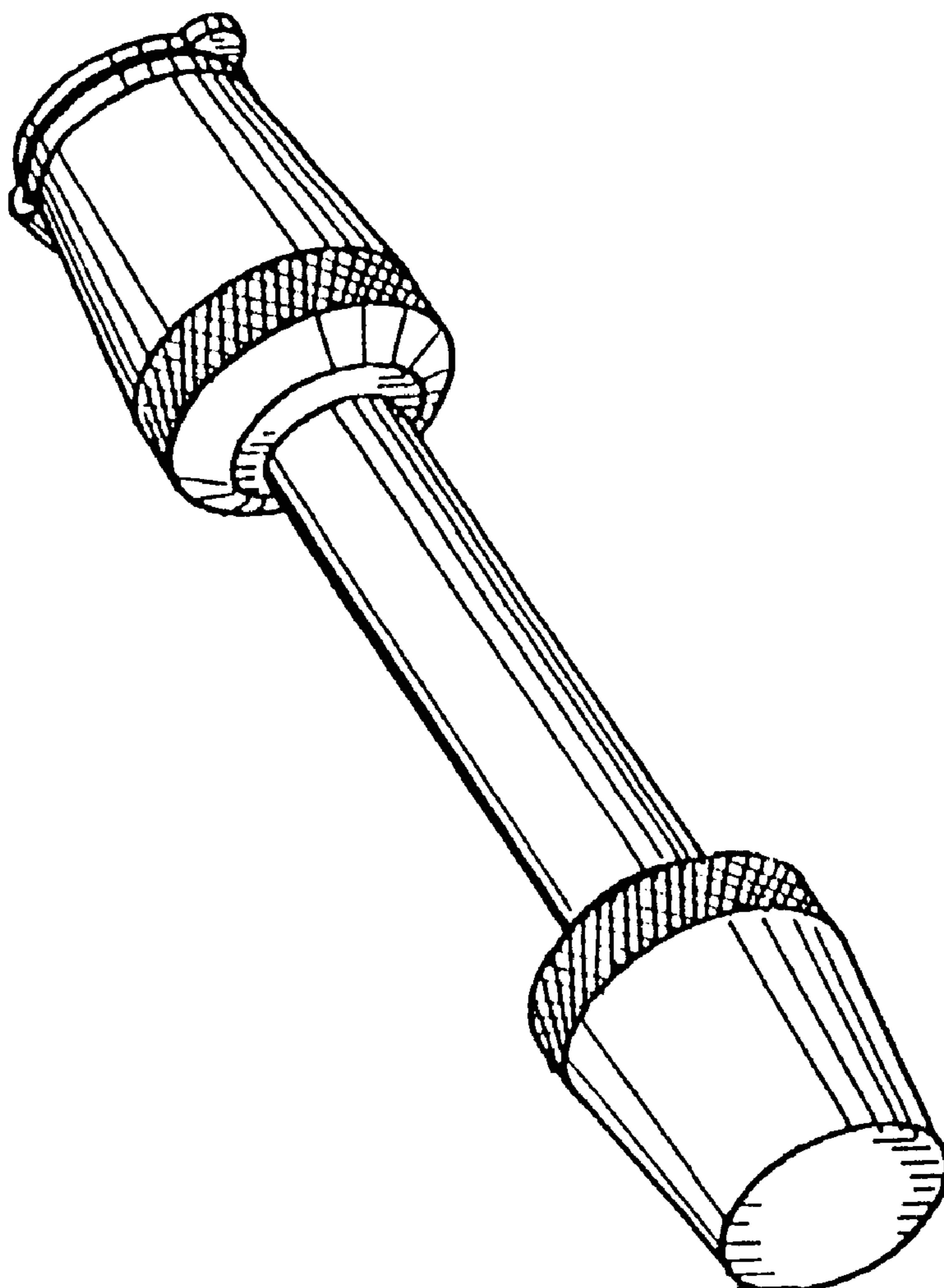
FIG. 4 is a front elevation view of a second embodiment of the locking rod device, the rear elevation view is a mirror image; and,

FIG. 5 is a front elevation view of a third embodiment of the locking rod device shown in an open position, the rear elevation is a mirror image.

The second and third embodiments differ from the first embodiment solely in the length and thickness of the rod.

The broken lines are shown for illustrative purposes only and form no part of the claimed design.

1 Claim, 2 Drawing Sheets



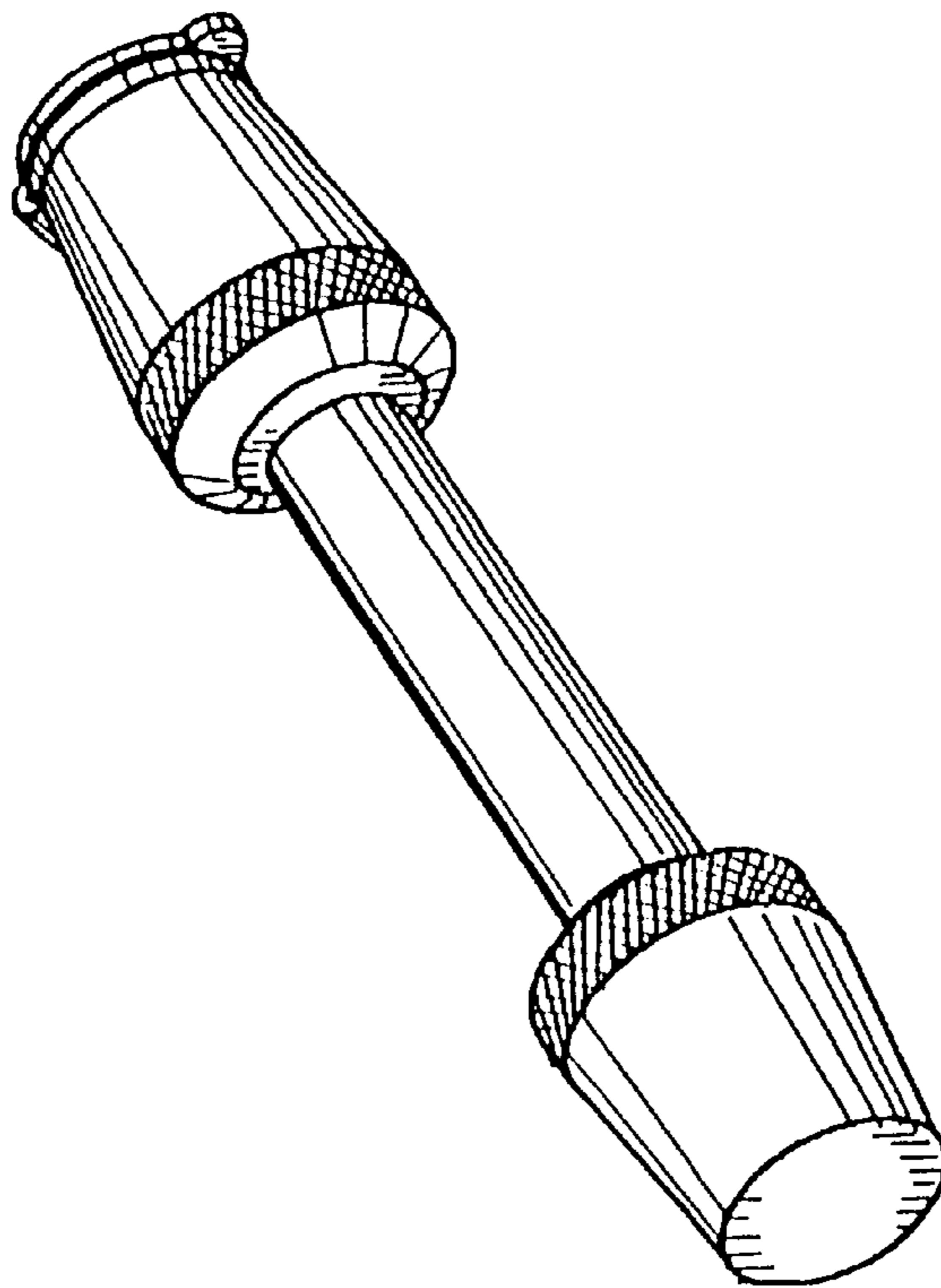


Fig. 1

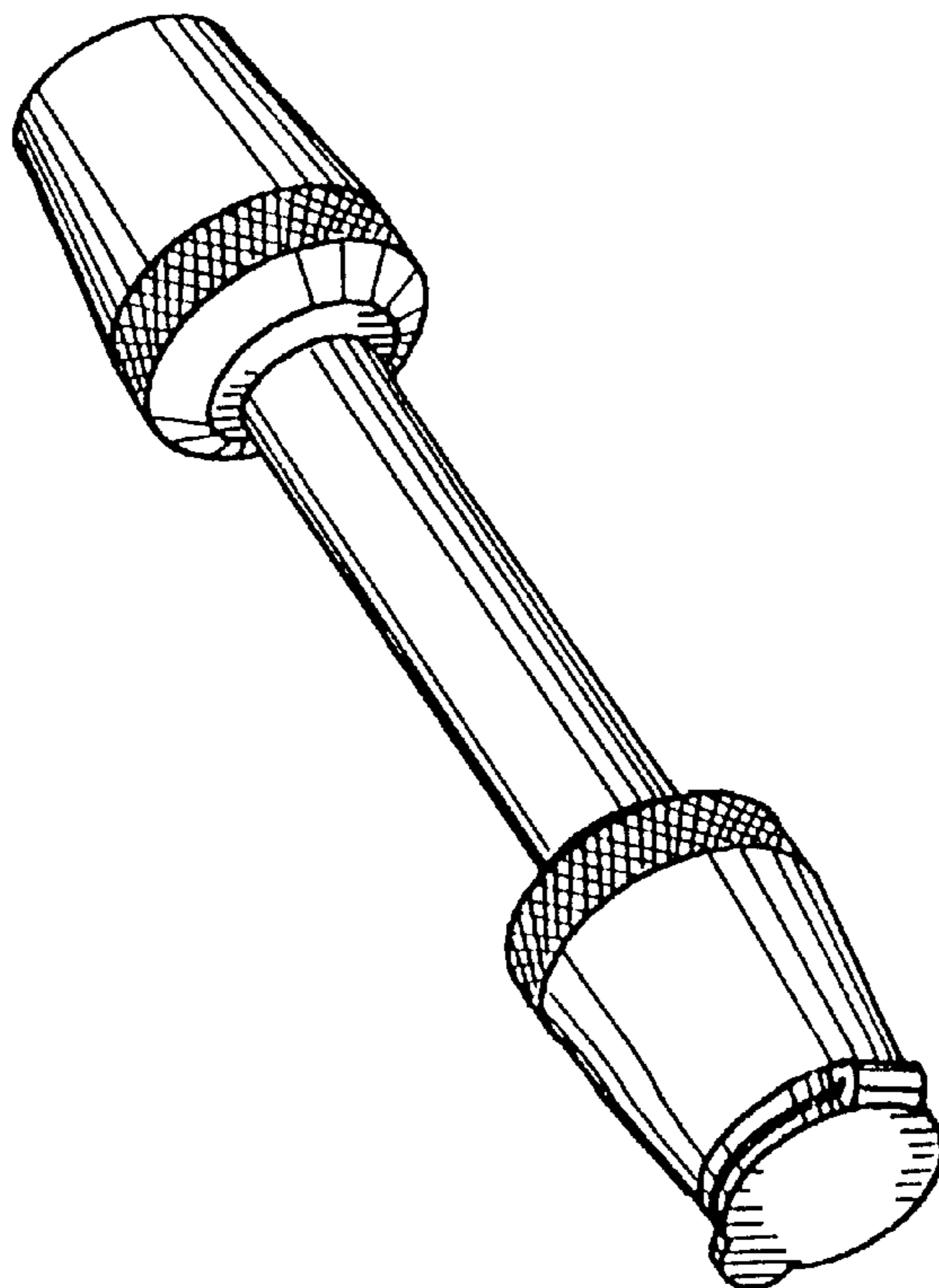


Fig. 2

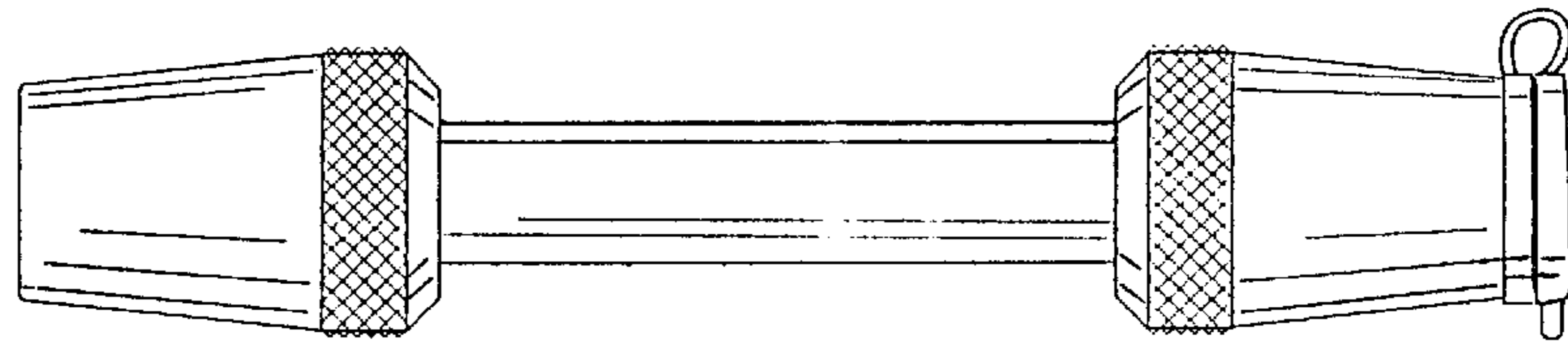


Fig. 3

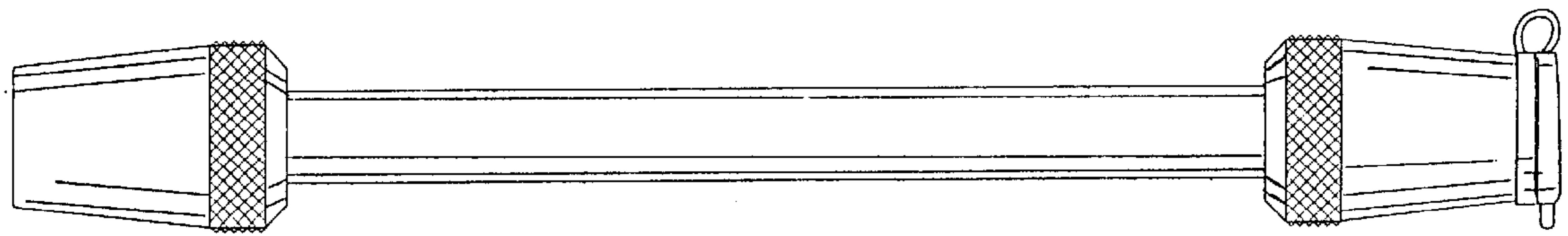


Fig. 4

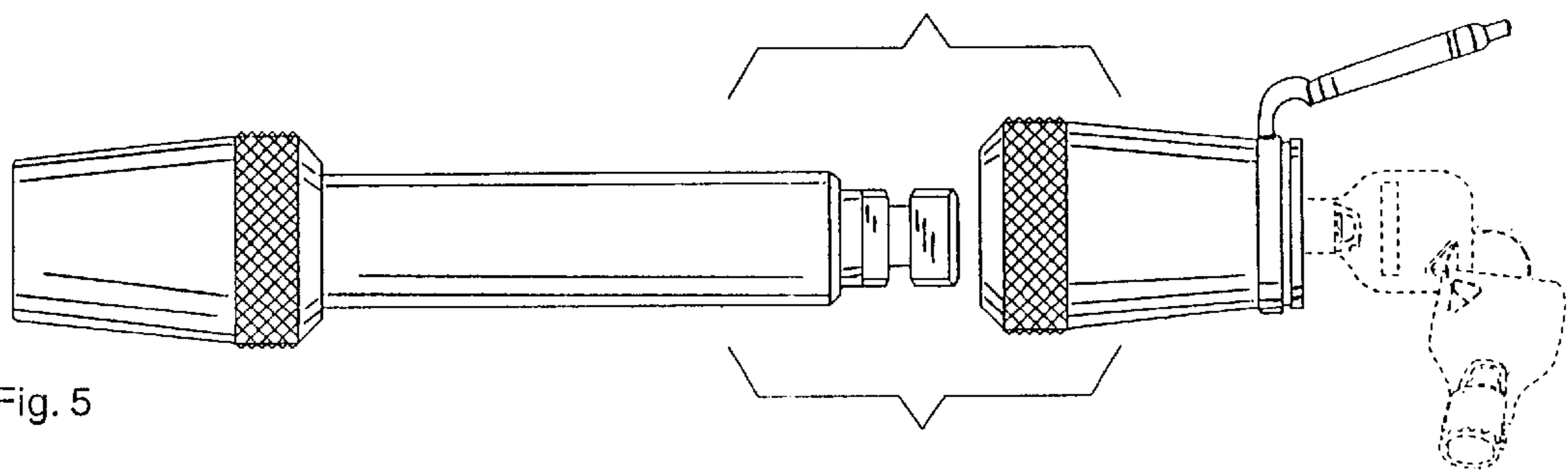


Fig. 5