



US00D428791S

# United States Patent [19]

[11] Patent Number: **Des. 428,791**

Anderson et al.

[45] Date of Patent: **\*\* Aug. 1, 2000**

[54] **PORTION OF A TOOL HANDLE WITH AN OPENING THEREIN**

[75] Inventors: **Craig J. Anderson**, Gresham;  
**Benjamin C. Rivera**, West Linn, both of Oreg.

[73] Assignee: **Leatherman Tool Group, Inc.**,  
Portland, Oreg.

[\*\*] Term: **14 Years**

[21] Appl. No.: **29/099,889**

[22] Filed: **Jan. 29, 1999**

[51] **LOC (7) Cl.** ..... **07-99**

[52] **U.S. Cl.** ..... **D8/107**

[58] **Field of Search** ..... D8/18, 33, 34,  
D8/40, 42, 105, 107; 7/151, 154; 81/3.35,  
489

[56] **References Cited**

**U.S. PATENT DOCUMENTS**

D. 413,499	9/1999	Anderson et al. ....	D8/34
5,826,338	10/1998	Chilton et al. ....	30/90.1
5,829,965	11/1998	Rubalcava .....	7/151

**OTHER PUBLICATIONS**

The Original Leatherman PST II™ At least as early as 1995.

*Primary Examiner*—Alan P. Douglas

*Assistant Examiner*—Reid Hecker

*Attorney, Agent, or Firm*—Chernoff, Vilhauer, McClung & Stenzel, LLP

[57] **CLAIM**

The ornamental design for a portion of a tool handle with an opening therein, as shown and described.

**DESCRIPTION**

FIG. 1 is an isometric view from the upper left front of a portion of a tool handle with an opening therein, wherein portions of the drawing shown in broken line are for illustrative purposes and form no part of the claimed design; FIG. 2 is an isometric view from the upper left front of the portion of a tool handle with an opening therein shown in FIG. 1;

FIG. 3 is a top plan view thereof;

FIG. 4 is a left side elevational view thereof;

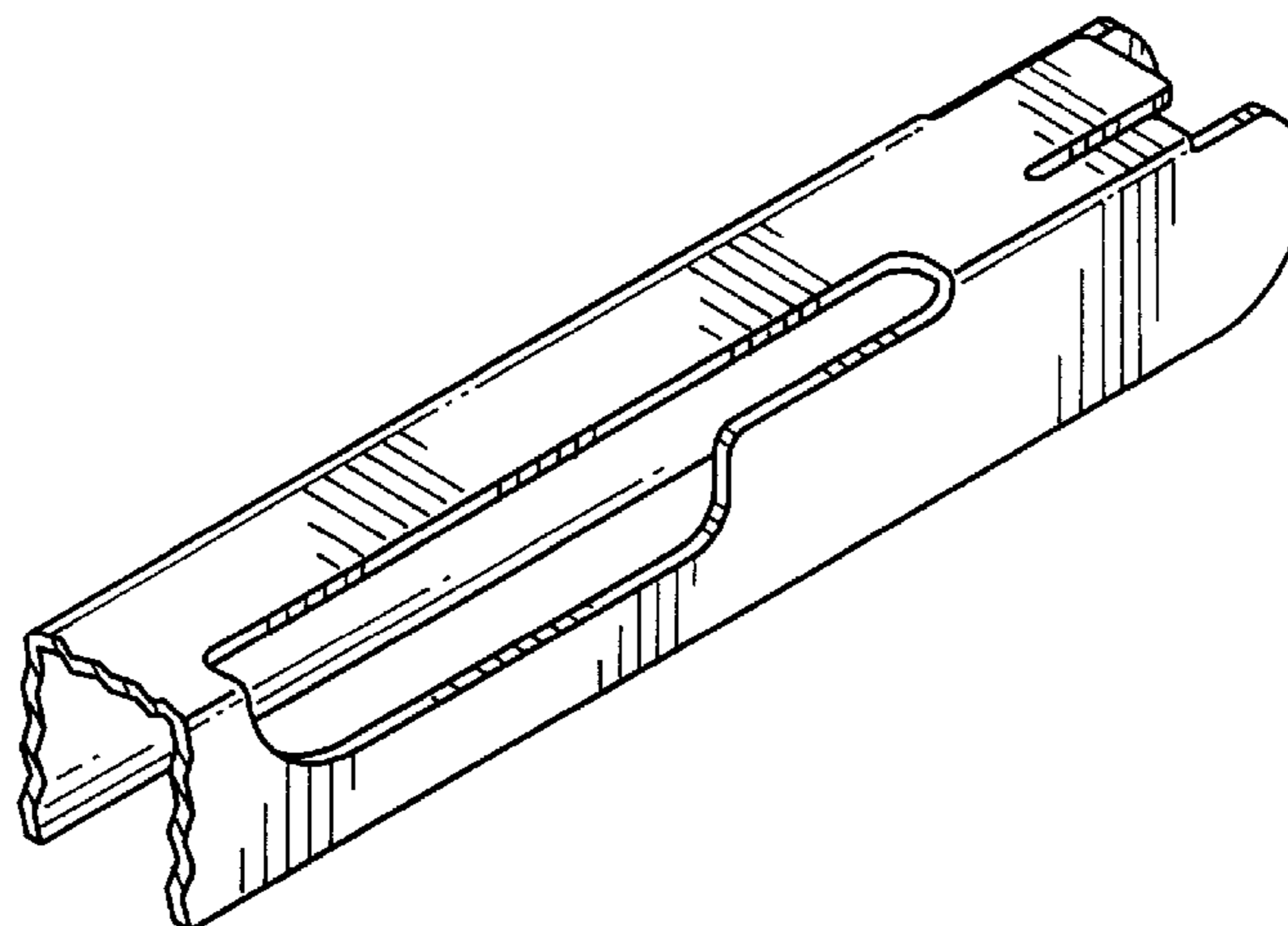
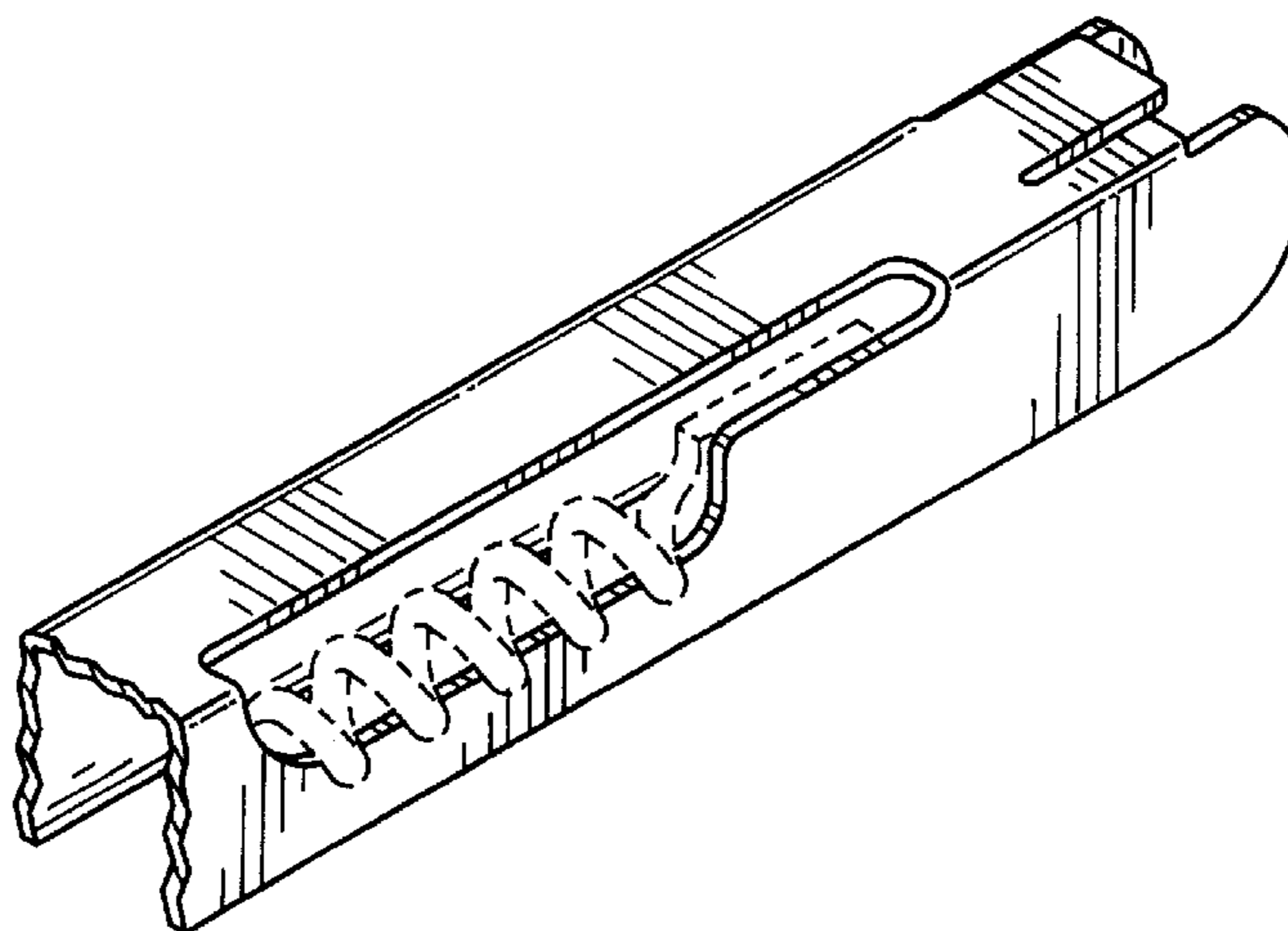
FIG. 5 is a bottom plan view thereof;

FIG. 6 is a right side elevational view thereof;

FIG. 7 is a front end elevational view thereof; and,

FIG. 8 is a rear end elevational view thereof.

**1 Claim, 2 Drawing Sheets**



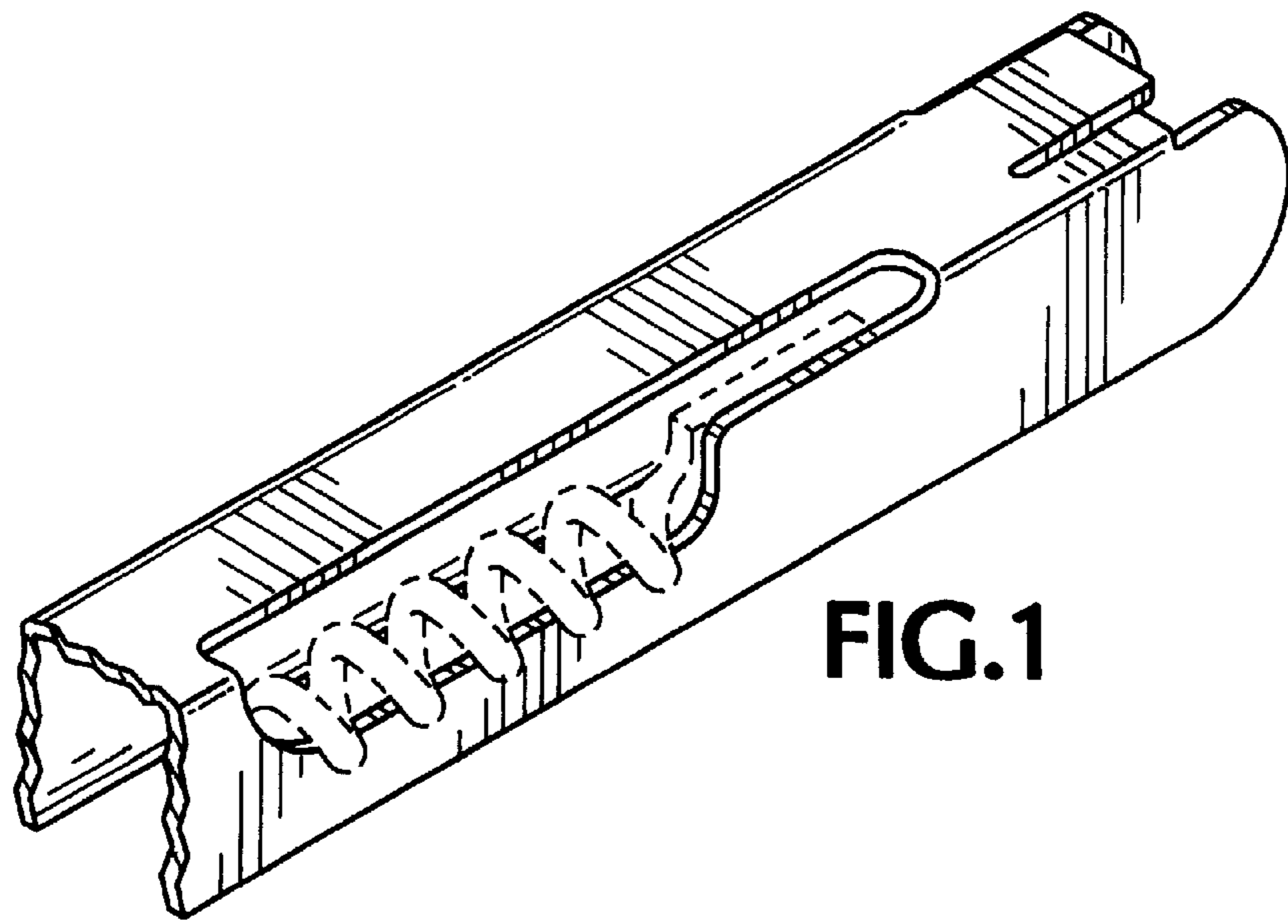


FIG. 1

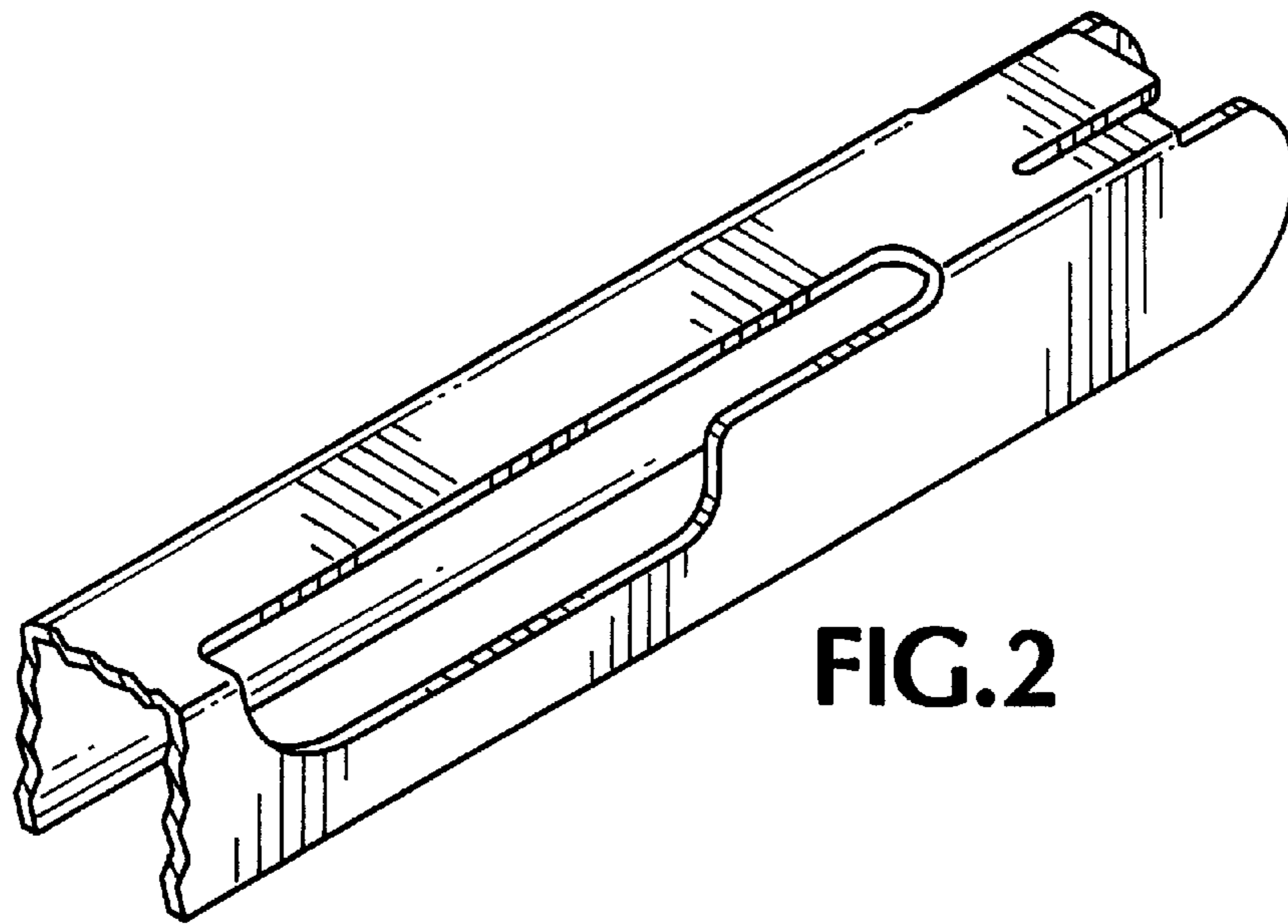


FIG. 2

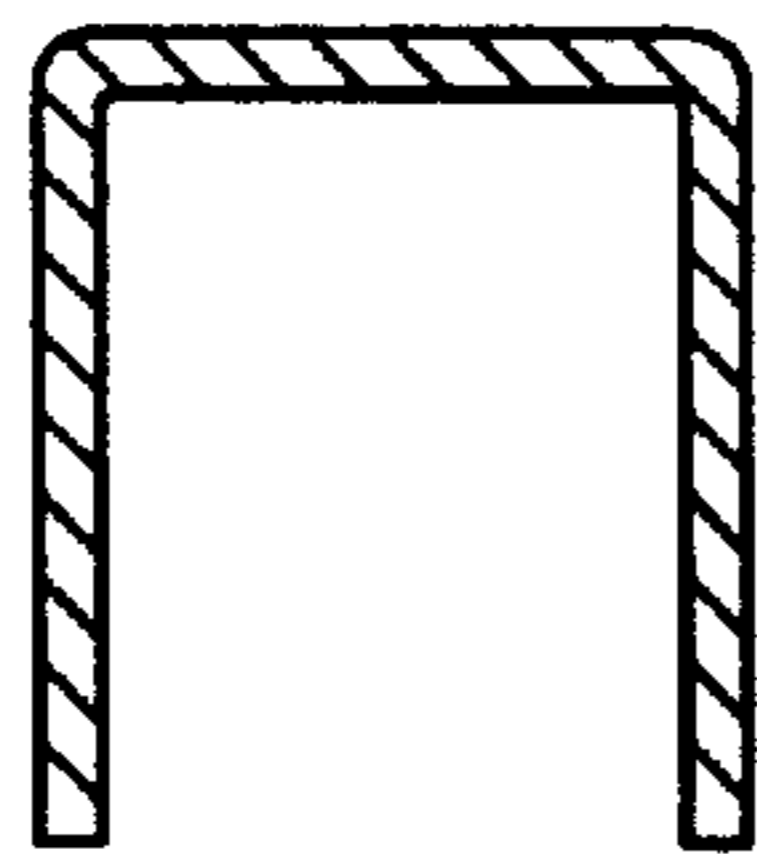


FIG. 7

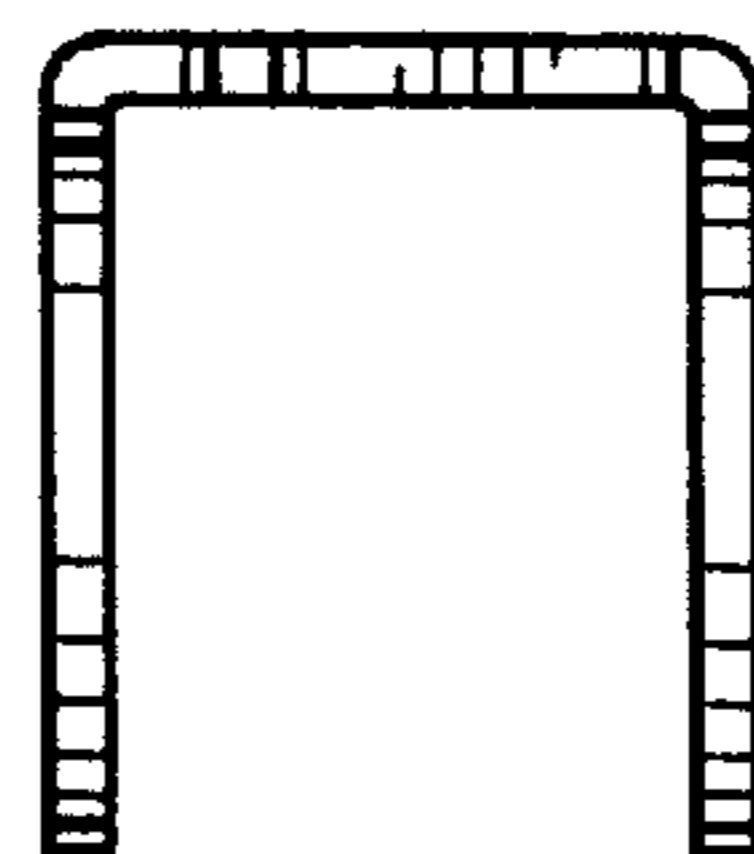


FIG. 8

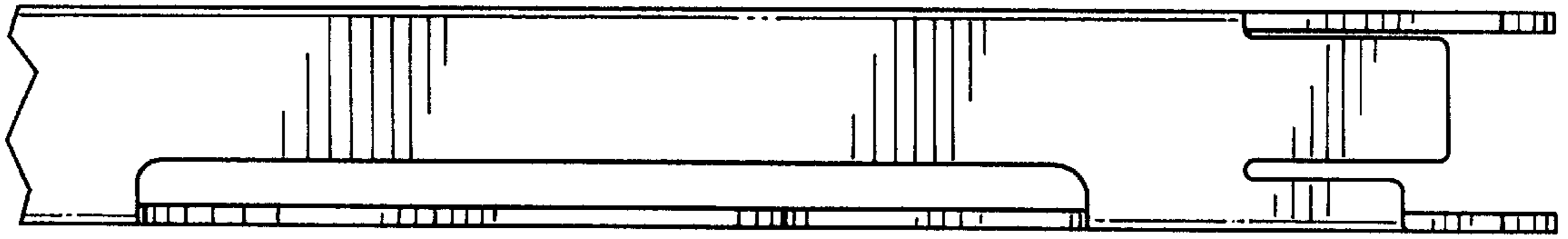


FIG.3

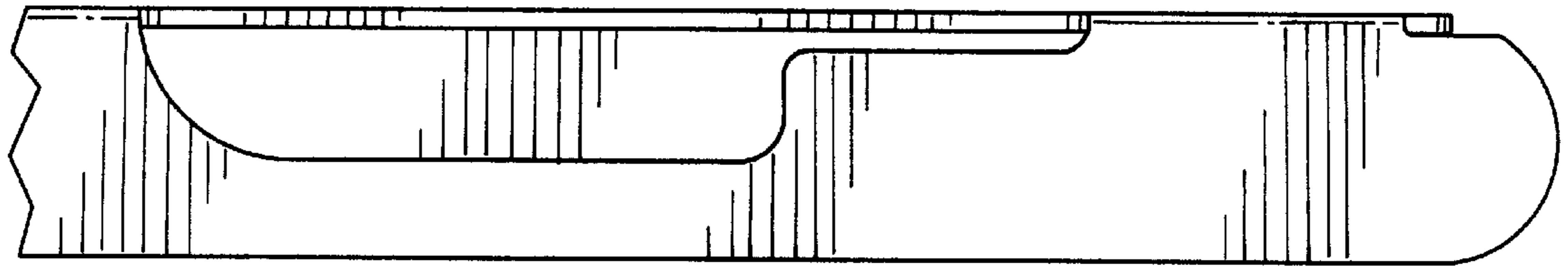


FIG.4

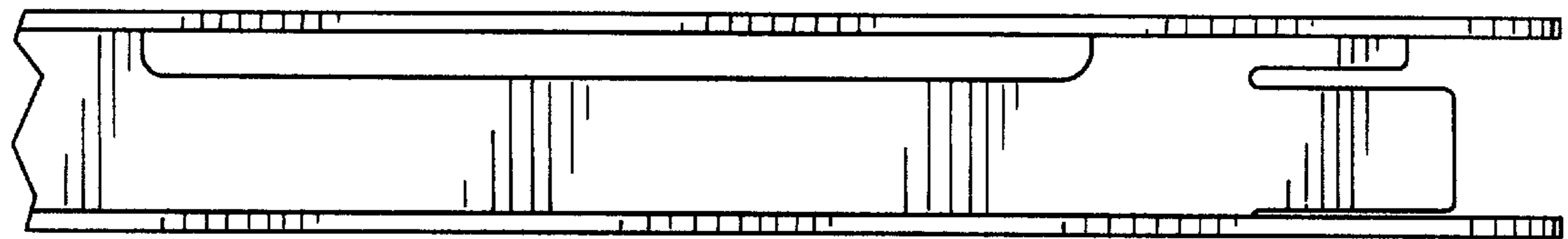


FIG.5

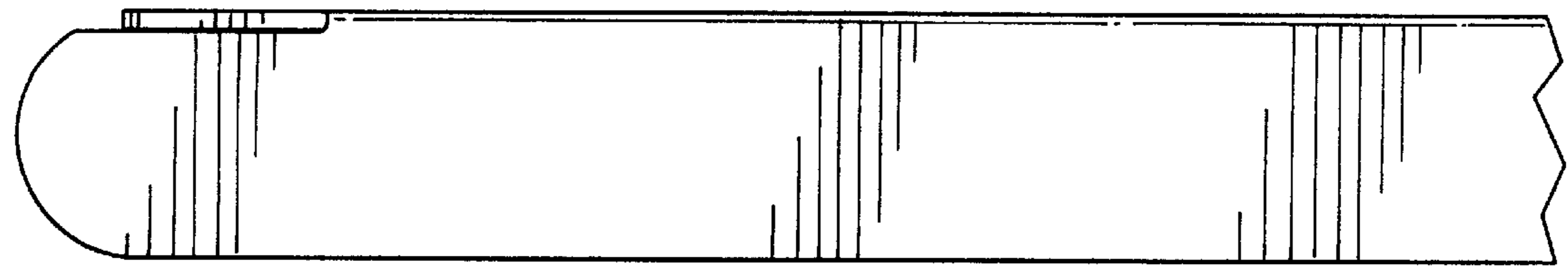


FIG.6