



US00D428786S

# United States Patent [19] Hayakawa et al.

[11] **Patent Number: Des. 428,786**

[45] **Date of Patent: \*\* Aug. 1, 2000**

[54] **PORTABLE ELECTRIC SAW**

5,940,977 8/1999 Moores, Jr. .... 30/392

[75] Inventors: **Naohiro Hayakawa; Shinsuke Mori,**  
both of Anjo, Japan

[73] Assignee: **Makita Corporation,** Anjo, Japan

[\*\*] Term: **14 Years**

[21] Appl. No.: **29/104,704**

[22] Filed: **May 10, 1999**

### [30] Foreign Application Priority Data

Nov. 11, 1998 [JP] Japan ..... 10-32709  
Nov. 11, 1998 [JP] Japan ..... 10-32710

[51] **LOC (7) Cl. .... 08-03**

[52] **U.S. Cl. .... D8/64; D8/69**

[58] **Field of Search .... D8/61, 62, 64,**  
D8/65, 66, 68, 69, 70, 107, DIG. 7; 30/166.3,  
519, 272.1, 374-377, 392-394; 81/489;  
83/699.21, 746, 747

### [56] References Cited

#### U.S. PATENT DOCUMENTS

D. 388,676 1/1998 Niwa et al. .... D8/68  
D. 401,128 11/1998 Zurwelle ..... D8/64  
D. 416,180 11/1999 Sakai et al. .... D8/64  
5,083,376 1/1992 Lentino ..... 30/392  
5,212,887 5/1993 Farmerie ..... 30/393  
5,855,070 1/1999 Grabowski ..... 30/376

### OTHER PUBLICATIONS

Excerpt from Dewalt catalog, dated prior to 1997.

*Primary Examiner*—Martie K. Holtje  
*Attorney, Agent, or Firm*—Dennison, Scheiner, Schultz & Wakeman

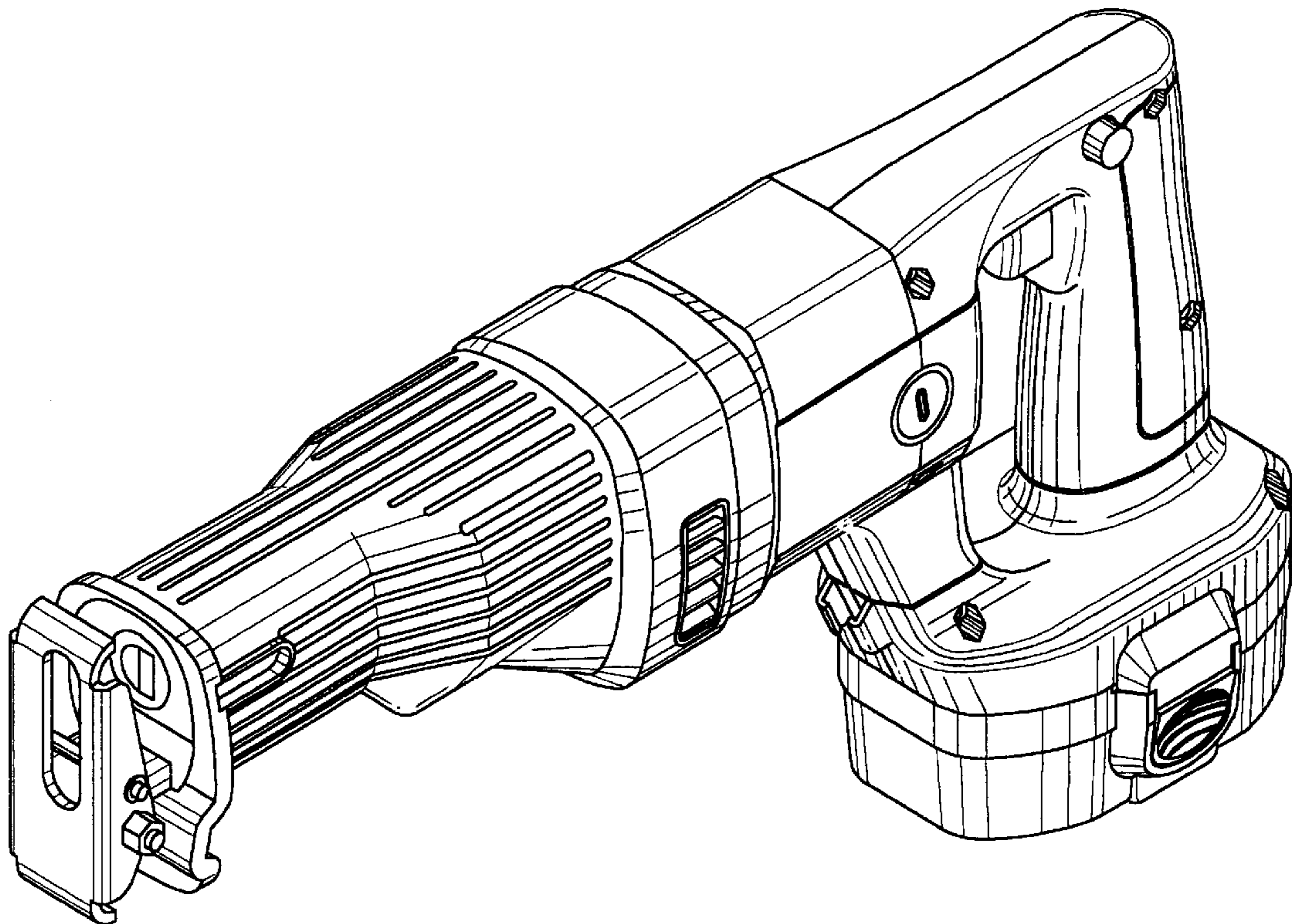
### [57] CLAIM

The ornamental design for a portable electric saw, as shown and described.

### DESCRIPTION

FIG. 1 is a perspective view of a portable electric saw showing our new design;  
FIG. 2 is a front elevation view thereof;  
FIG. 3 is a rear elevation view thereof;  
FIG. 4 is a left side elevation view thereof;  
FIG. 5 is a right side elevation view thereof;  
FIG. 6 is a top plan view thereof;  
FIG. 7 is a bottom plan view thereof;  
FIG. 8 is a perspective view of a second embodiment of the portable electric saw shown in FIG. 1;  
FIG. 9 is a front elevation view thereof;  
FIG. 10 is a rear elevation view thereof;  
FIG. 11 is a left side elevation view thereof;  
FIG. 12 is a right side elevation view thereof;  
FIG. 13 is a top plan view thereof; and,  
FIG. 14 is a bottom plan view thereof.

**1 Claim, 10 Drawing Sheets**



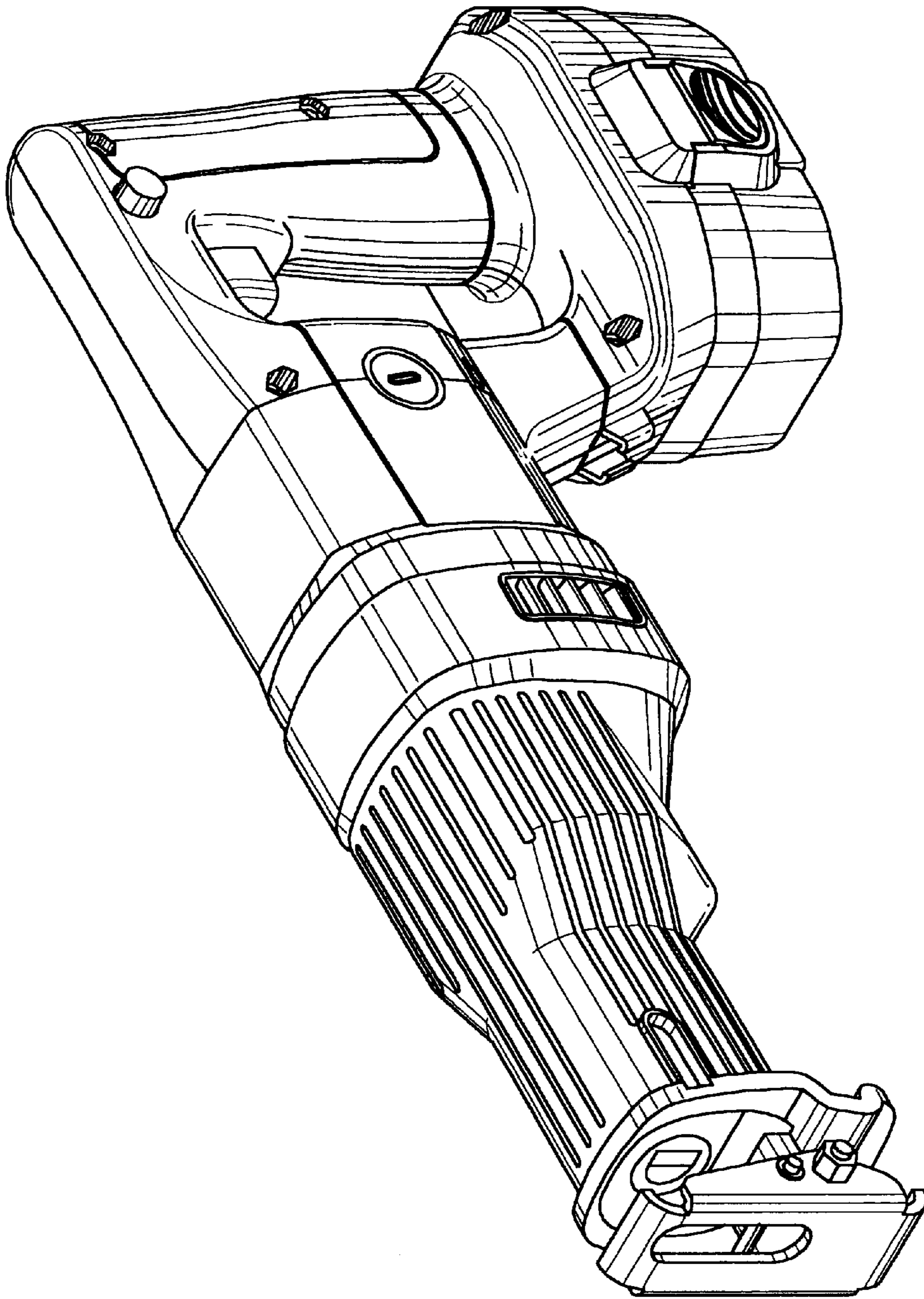


FIG. 1

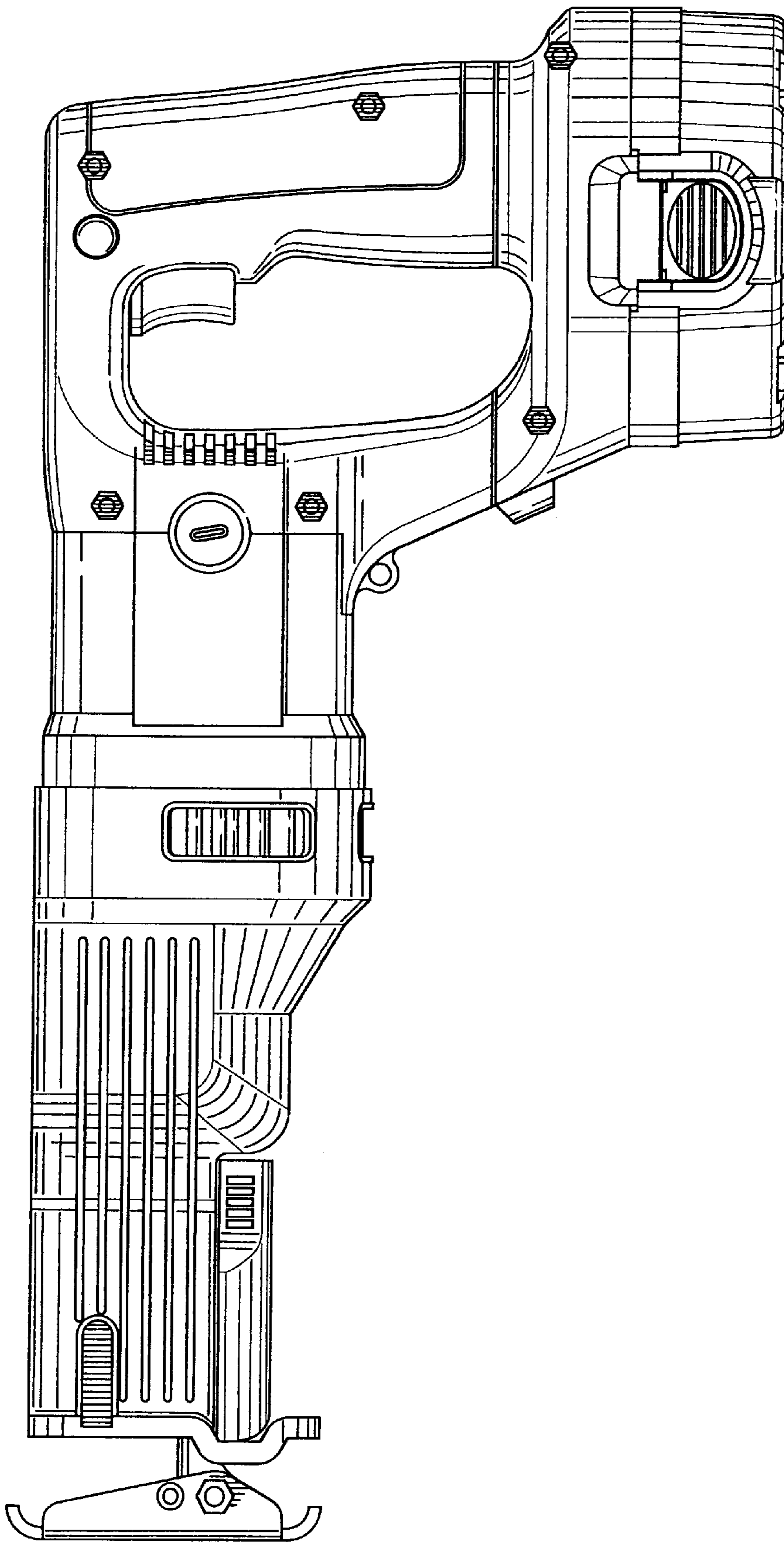


FIG. 2

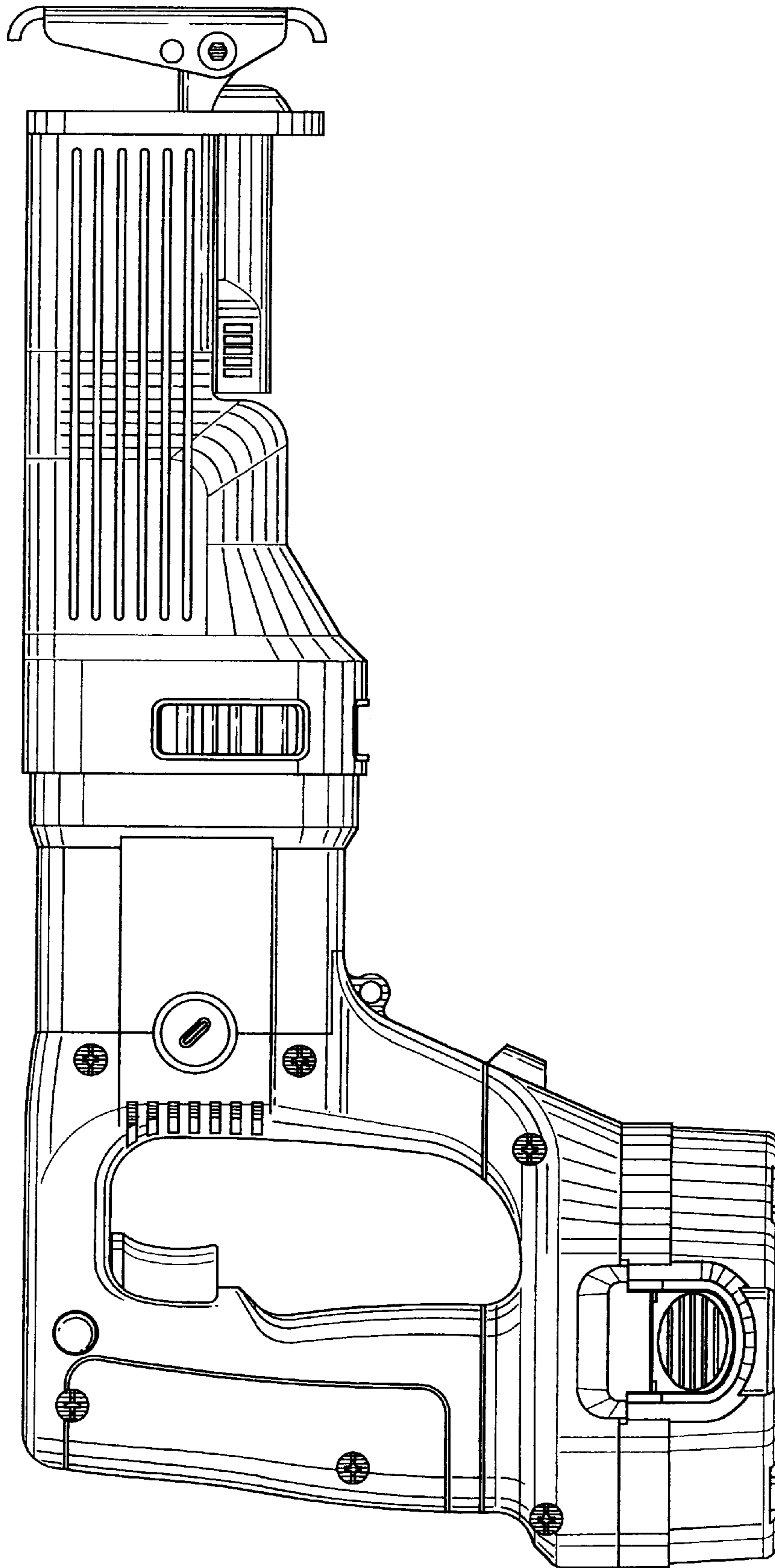


FIG. 3

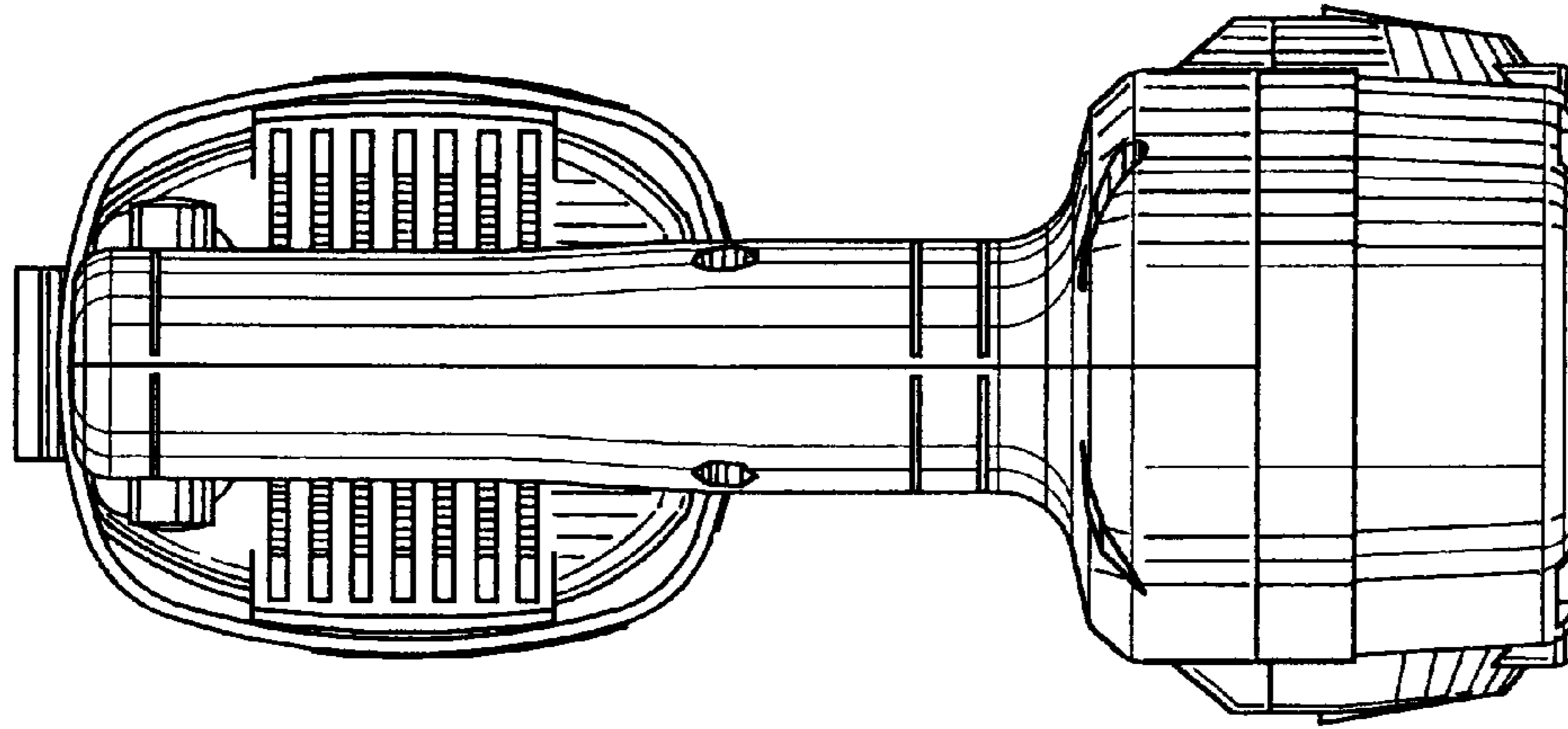


FIG. 5

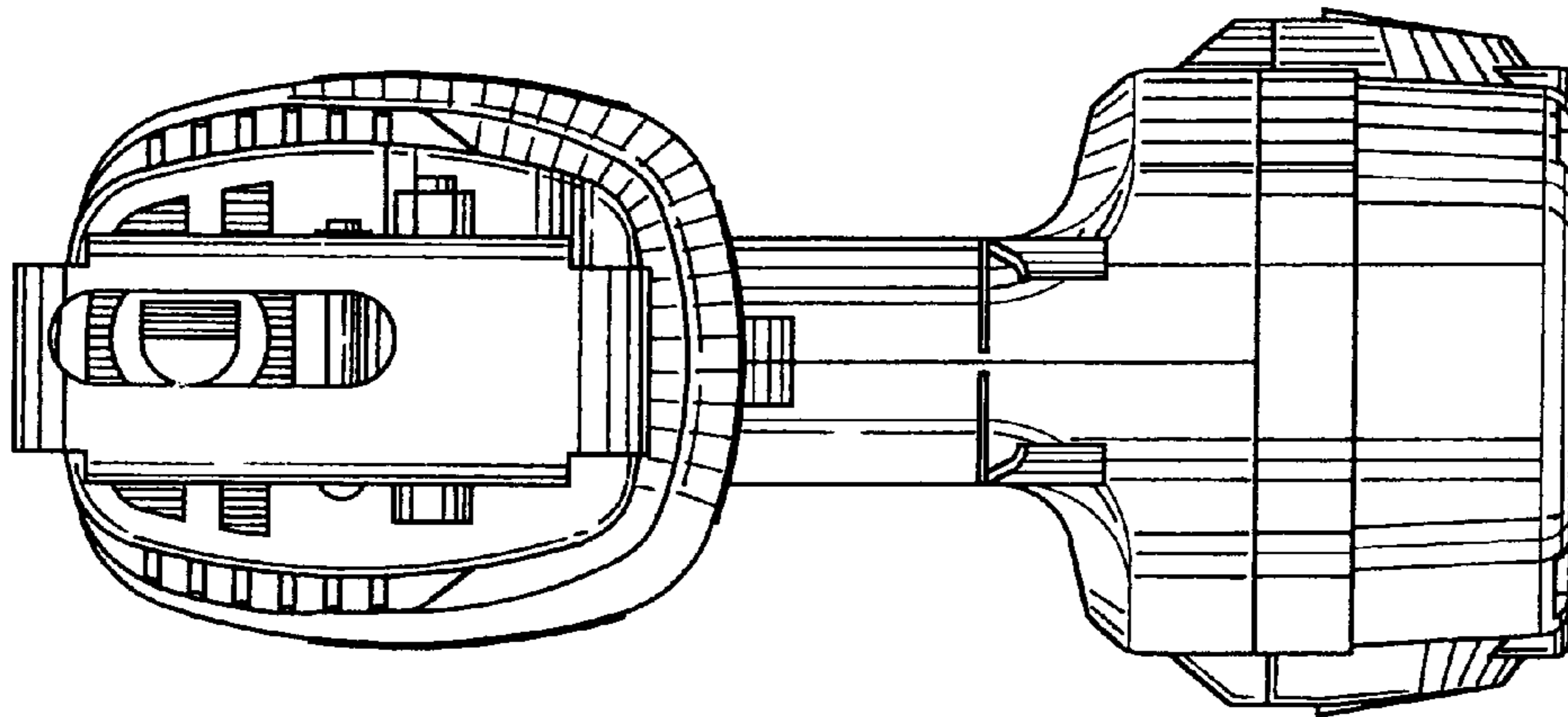


FIG. 4

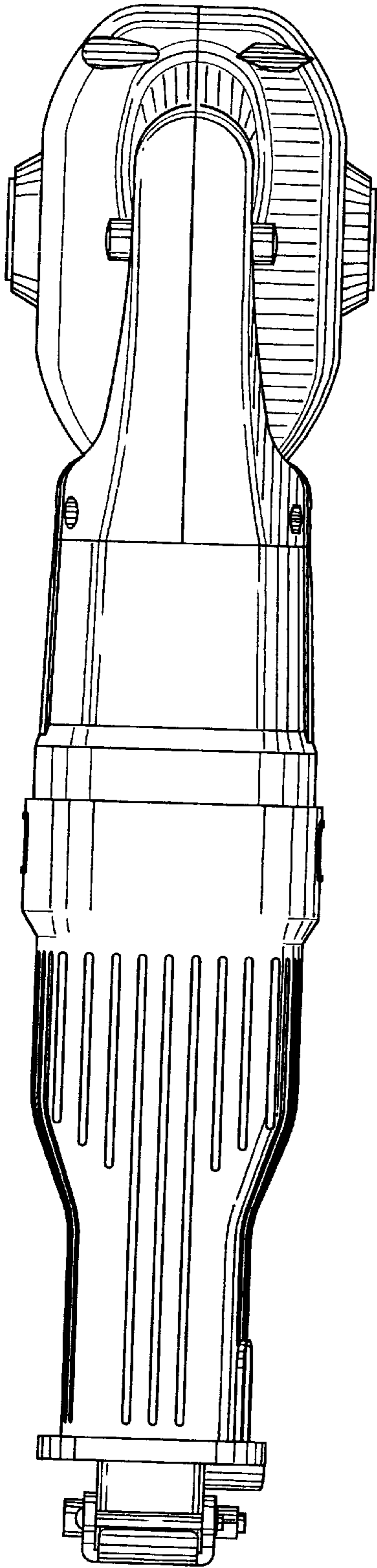


FIG. 6

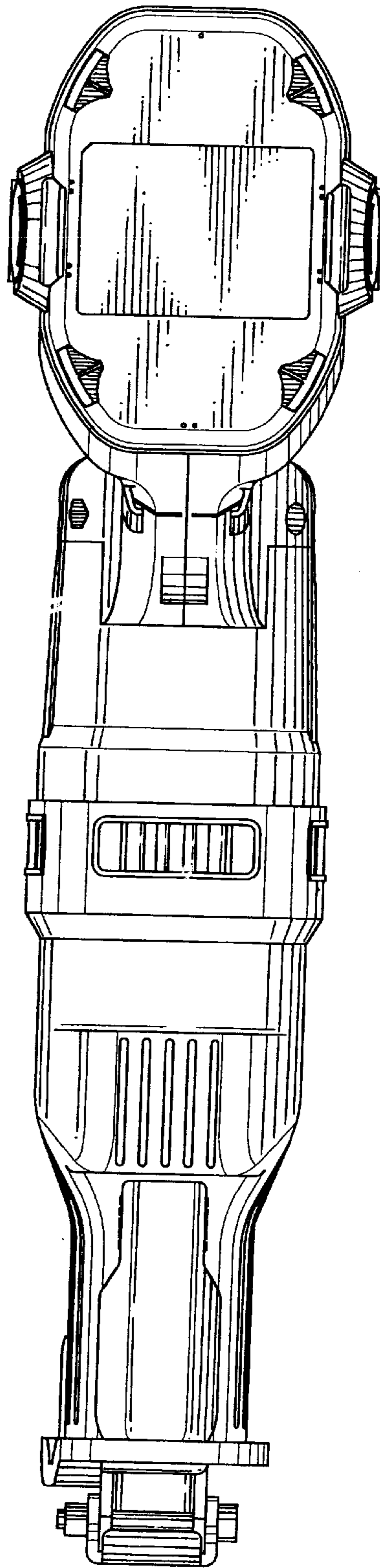


FIG. 7

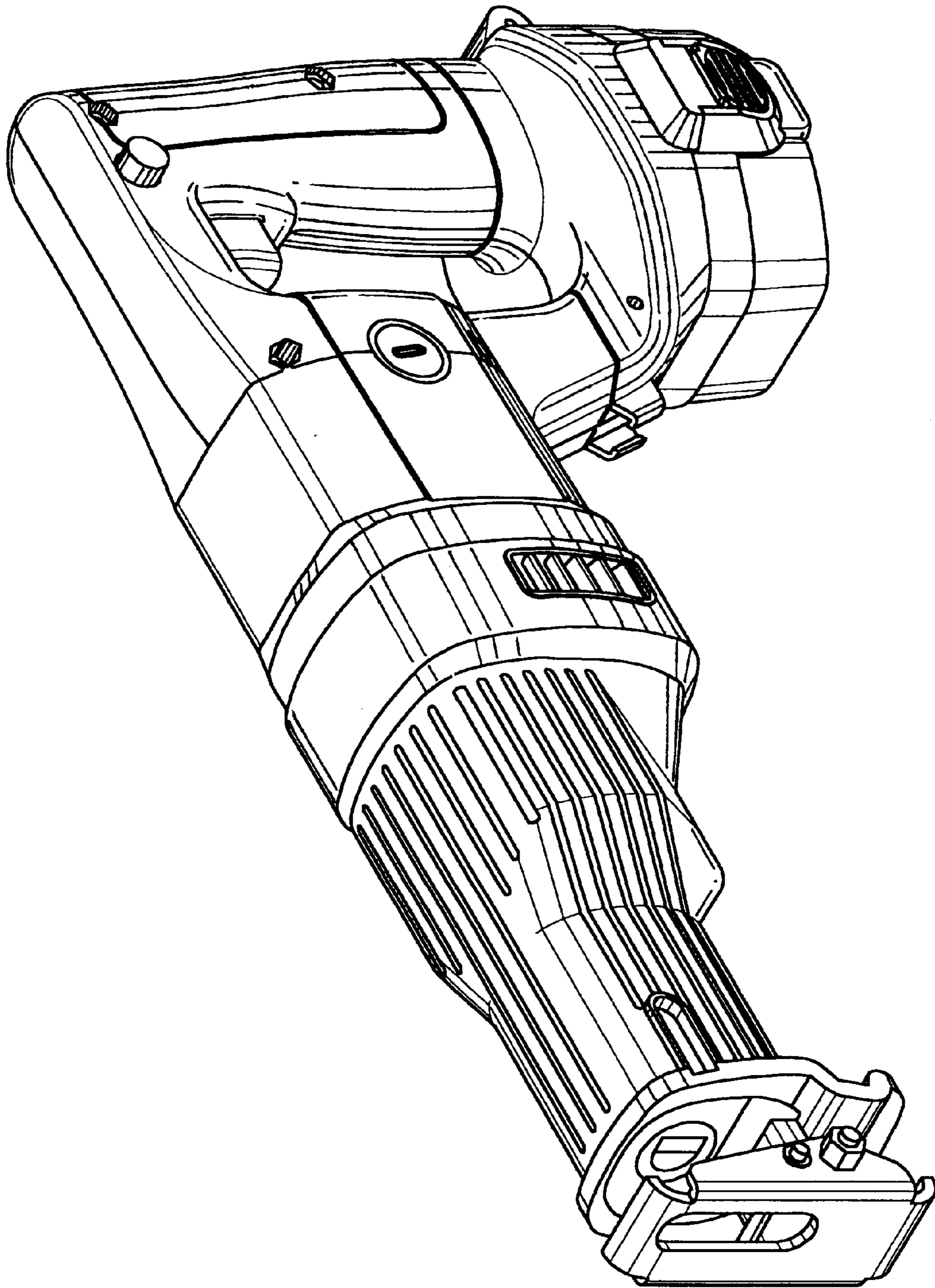


FIG. 8

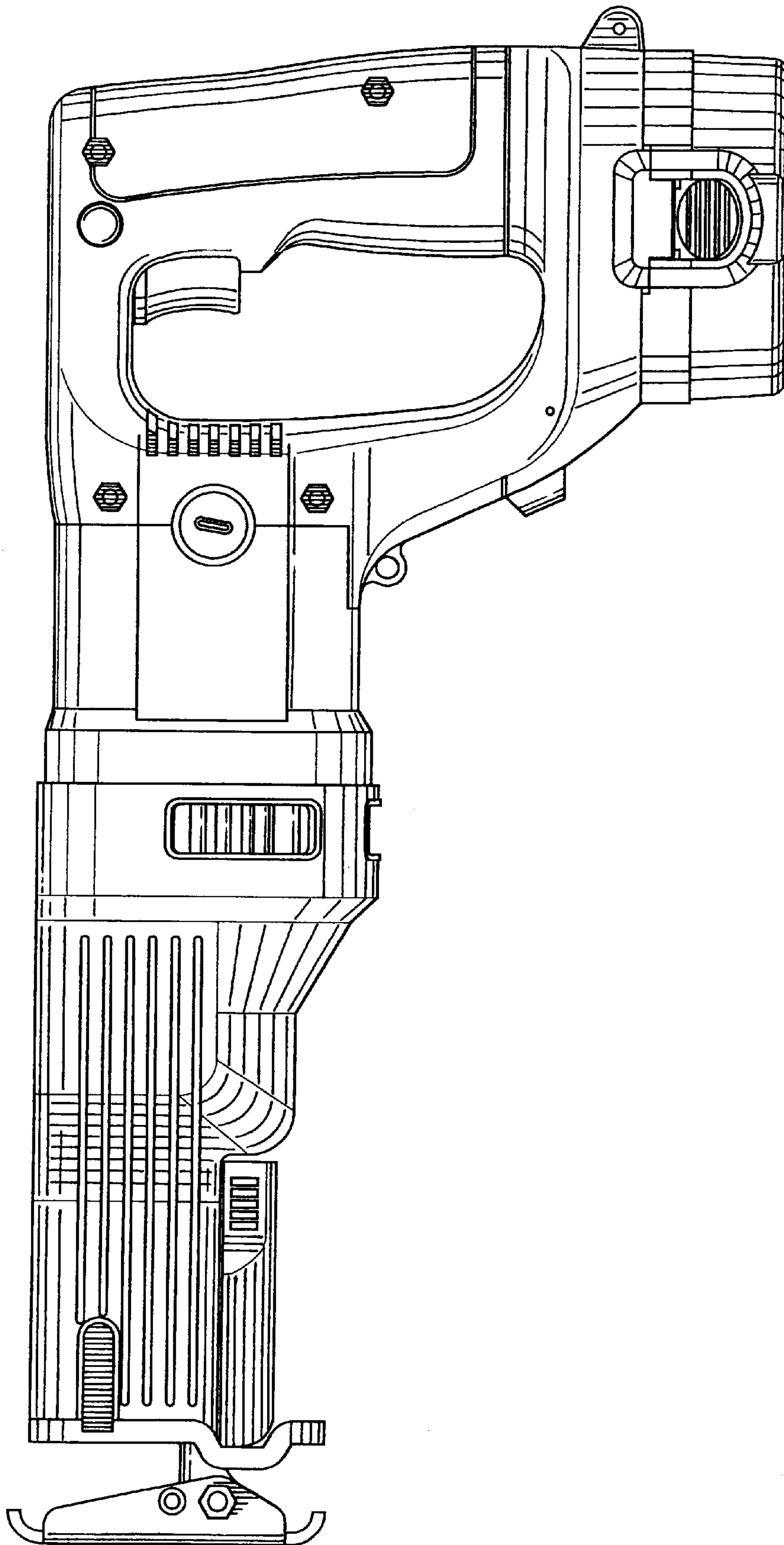


FIG. 9



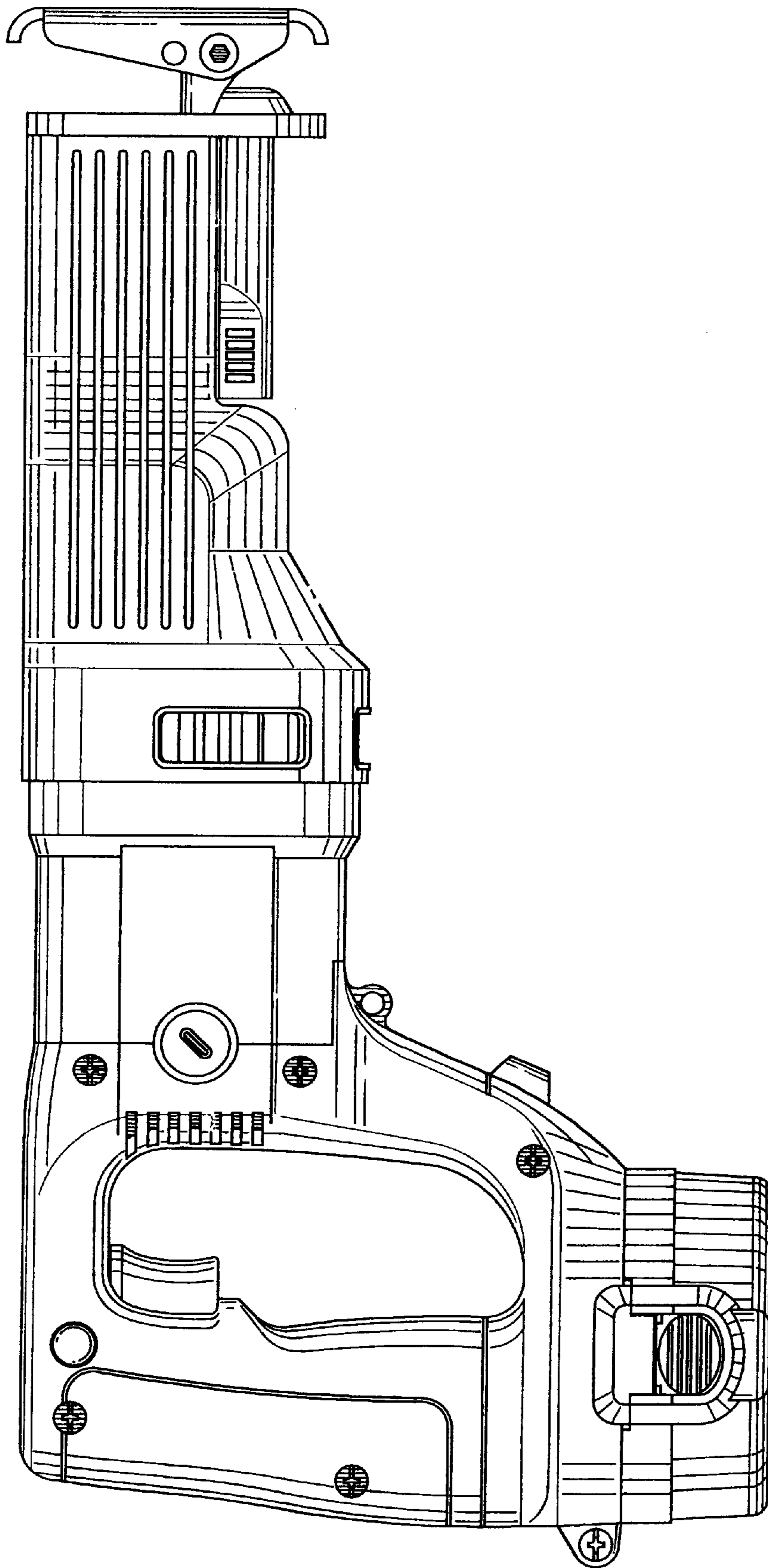


FIG. 10

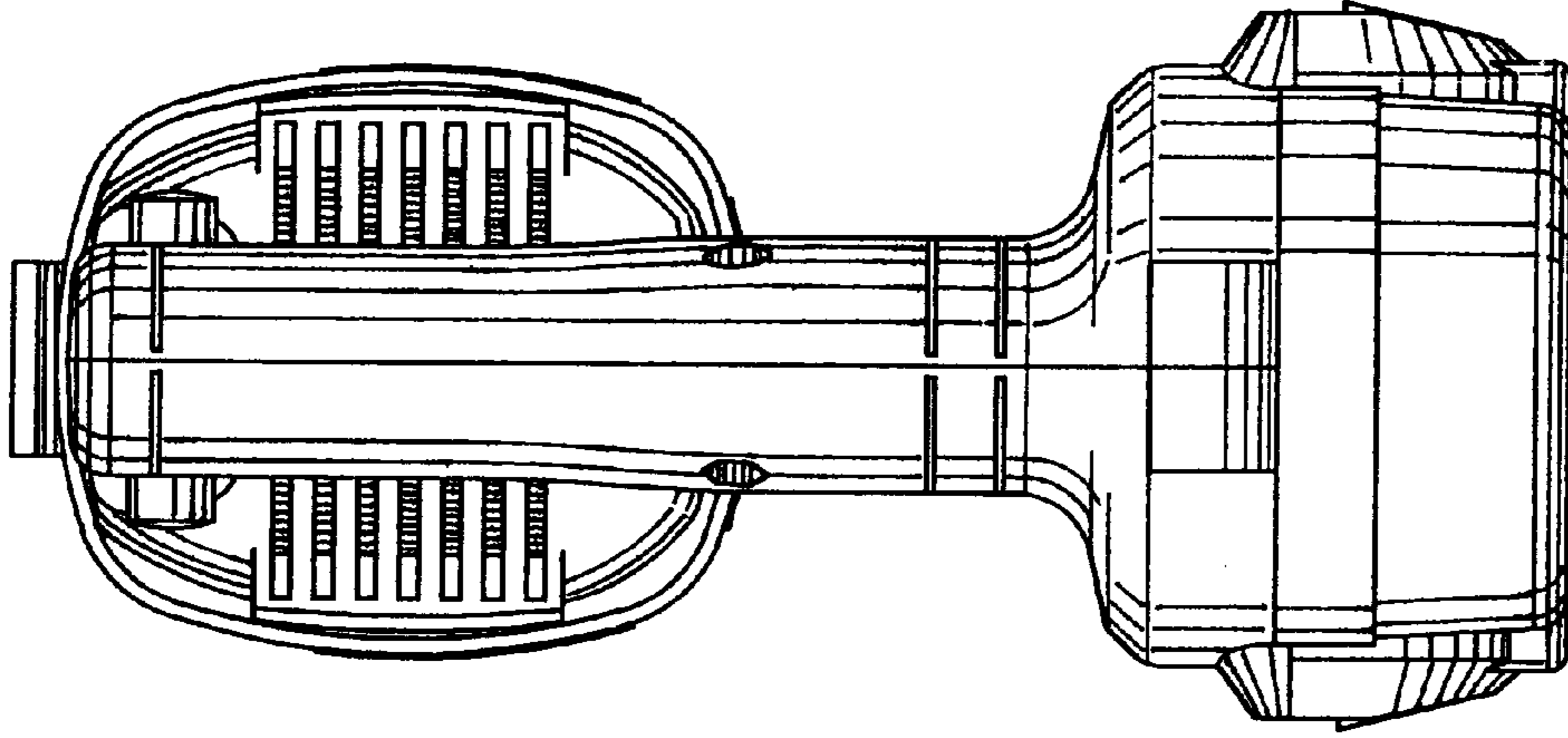


FIG. 12

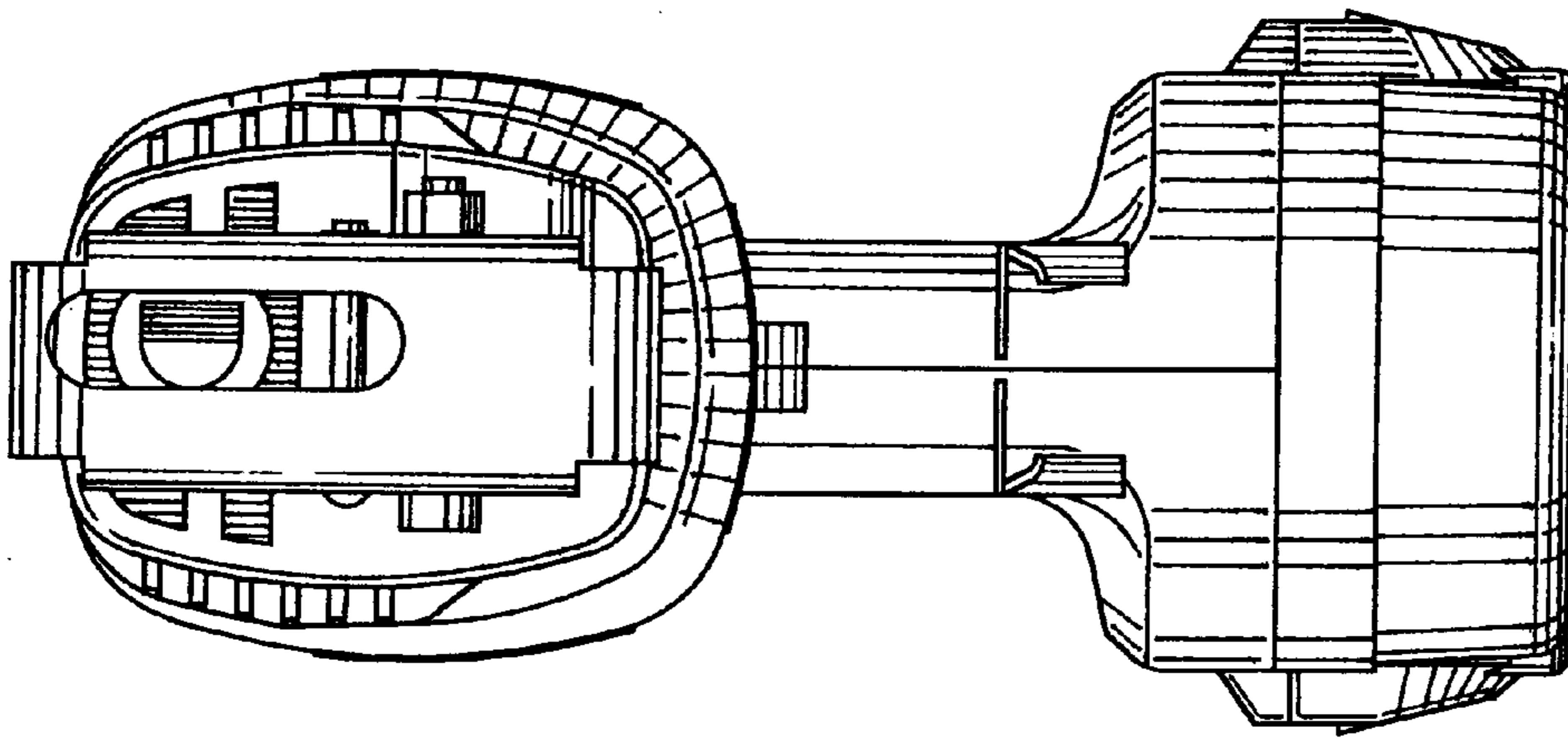


FIG. 11

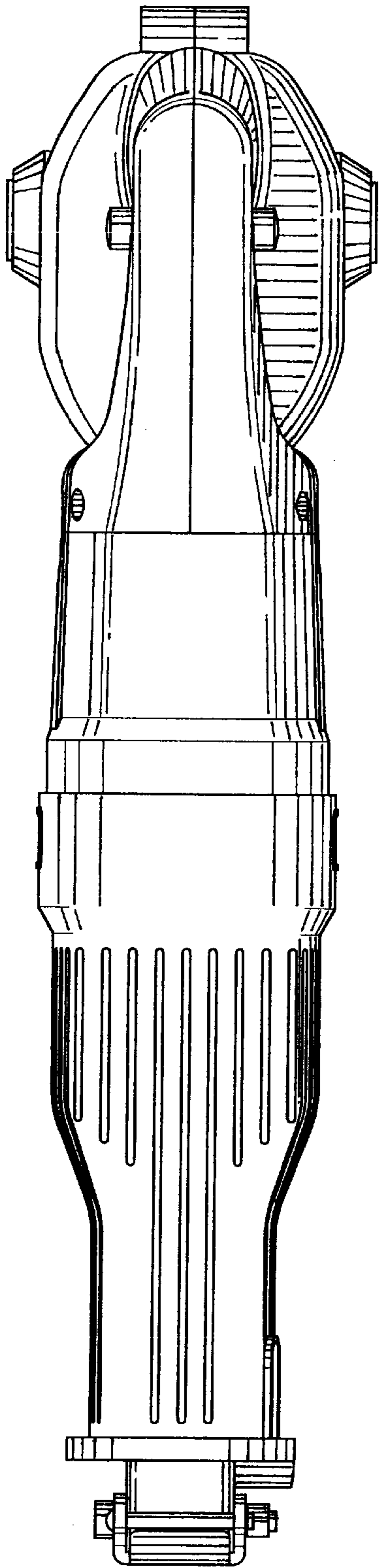


FIG. 13

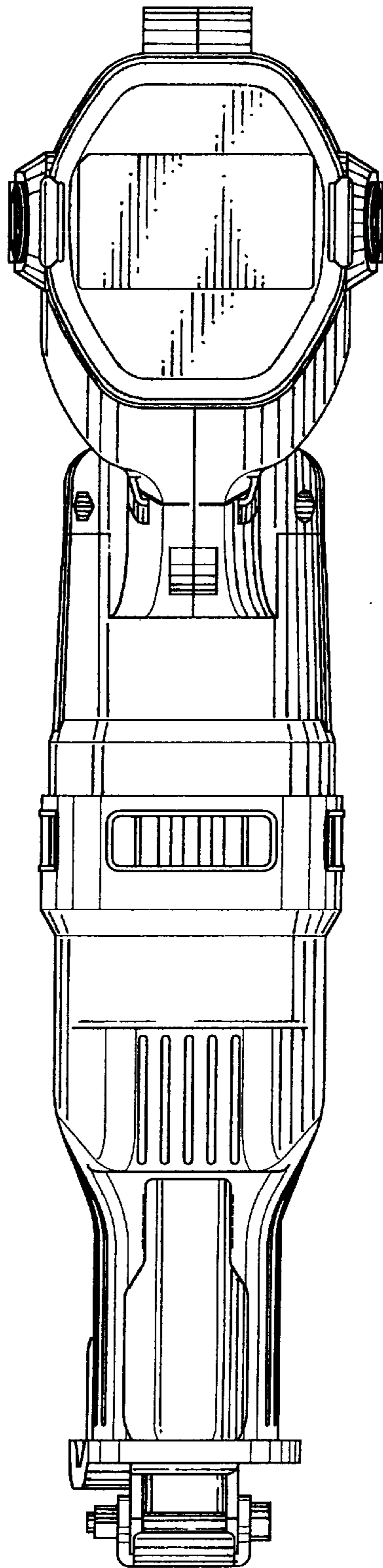


FIG. 14