



US00D428781S

# United States Patent [19] Tanner

[11] Patent Number: **Des. 428,781**

[45] Date of Patent: **\*\* Aug. 1, 2000**

[54] **TREE AND PLANT PROTECTOR**

5,839,222 11/1998 Sittner ..... 47/25

[76] Inventor: **Paul D Tanner**, 44 Lincoln Drive,  
Bulleen Melbourne, Victoria 3105,  
Australia

*Primary Examiner*—Robin V. Taylor

[\*\*] Term: **14 Years**

[57] **CLAIM**

The ornamental design for a tree and plant protector, as shown and described.

[21] Appl. No.: **29/111,686**

### DESCRIPTION

[22] Filed: **Oct. 1, 1999**

FIG. 1 is a top plan view of the tree and plant protector of the present invention;

[51] **LOC (7) Cl.** ..... **08-01**

FIG. 2 is a bottom plan view of the tree and plant protector of FIG. 1;

[52] **U.S. Cl.** ..... **D8/1**

FIG. 3 is a left side elevational view of the tree and plant protector of FIG. 1;

[58] **Field of Search** ..... D8/1; 47/23, 24,  
47/25, 33; 52/102

FIG. 4 is a right side elevational view of the tree and plant protector of FIG. 1;

### [56] **References Cited**

#### U.S. PATENT DOCUMENTS

D. 292,474	10/1987	Young	.....	D8/1
D. 295,491	5/1988	Drumheller	.....	D8/1
D. 301,536	6/1989	Spear	.....	D8/1
2,782,561	2/1957	Smith	.....	47/23
4,934,093	6/1990	Yanna	.....	47/33
4,976,063	12/1990	Young	.....	47/33
5,353,556	10/1994	Hand et al.	.....	52/102
5,367,822	11/1994	Beckham	.....	47/25
5,605,009	2/1997	Elder	.....	47/25

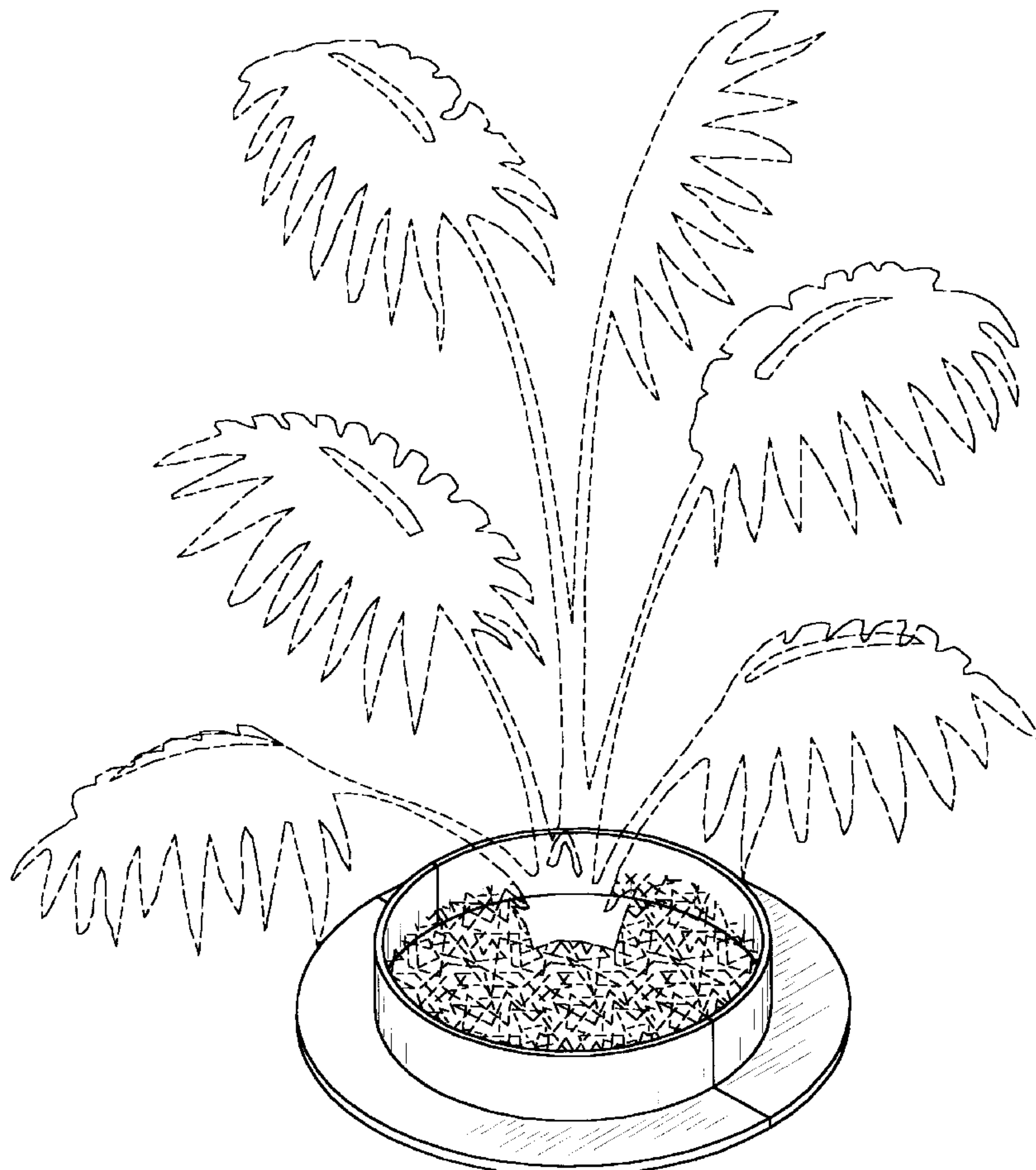
FIG. 5 is a rear elevational view of the tree and plant protector of FIG. 1;

FIG. 6 is a front elevational view of the tree and plant protector of FIG. 1; and,

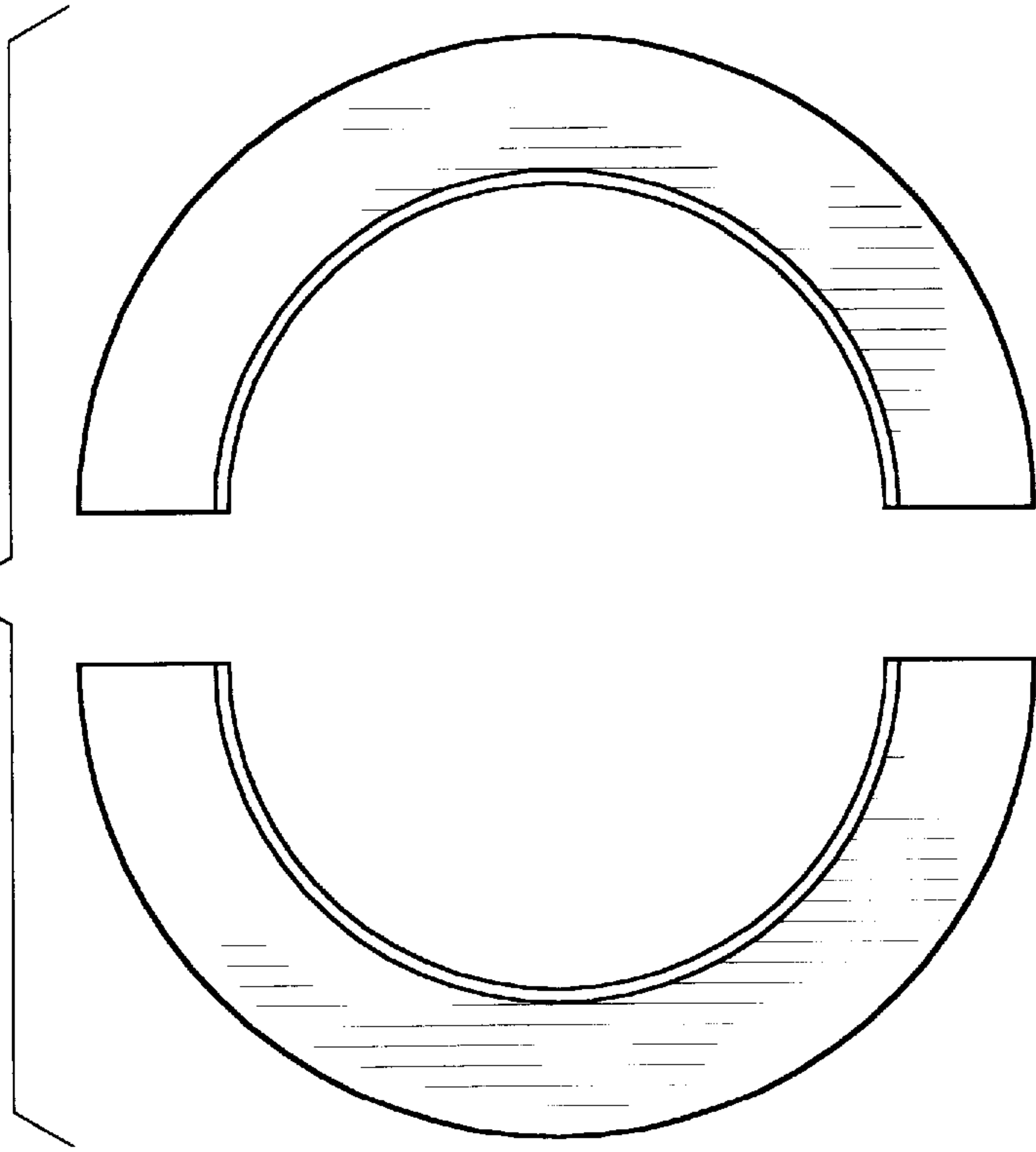
FIG. 7 is a top, front, right side perspective view of the tree and plant protector of FIG. 1.

The broken lines showing of a plant in FIG. 7 are for illustrative purposes only and form no part of the claimed design.

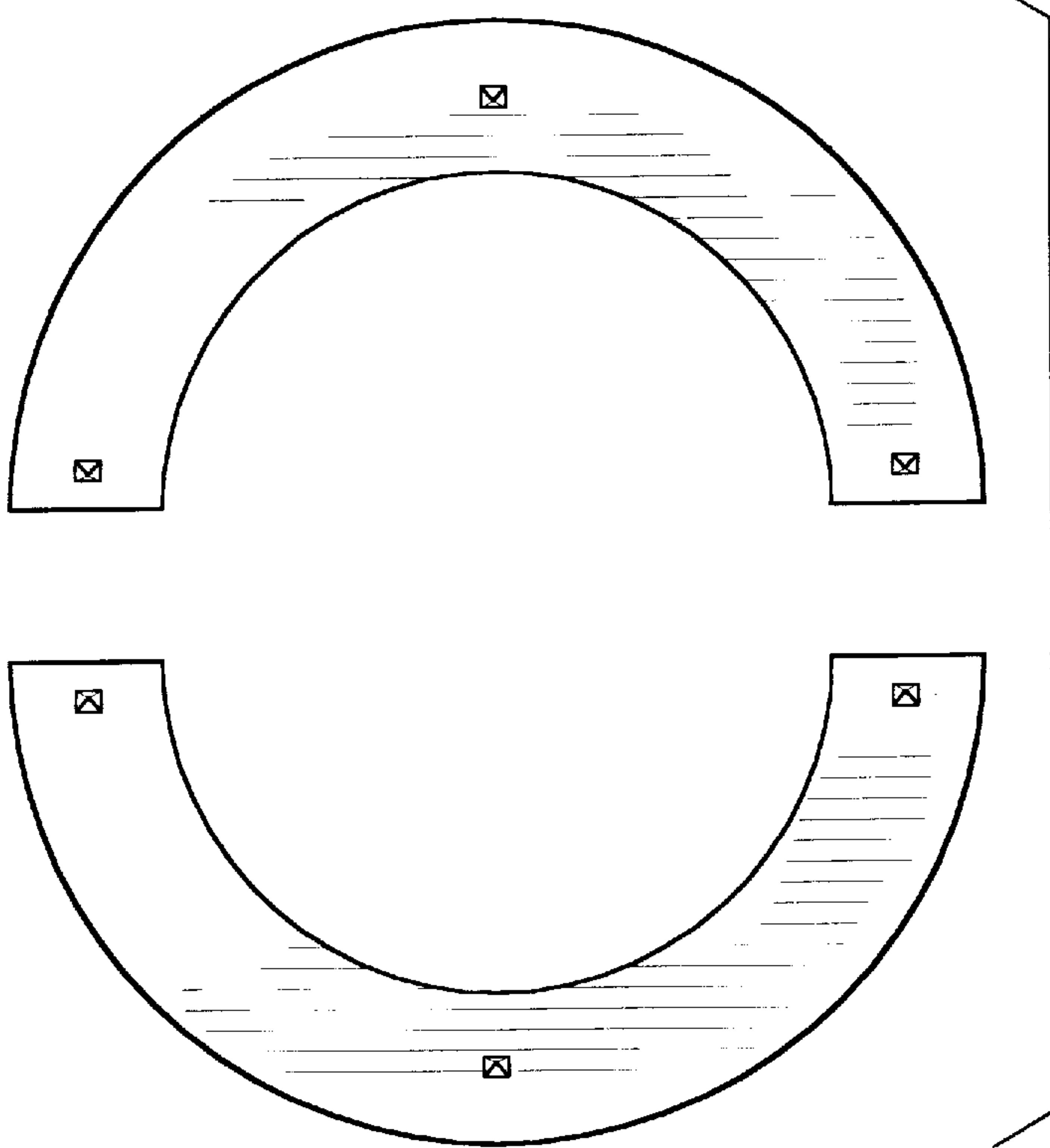
**1 Claim, 3 Drawing Sheets**



*Fig. 1*



*Fig. 2*



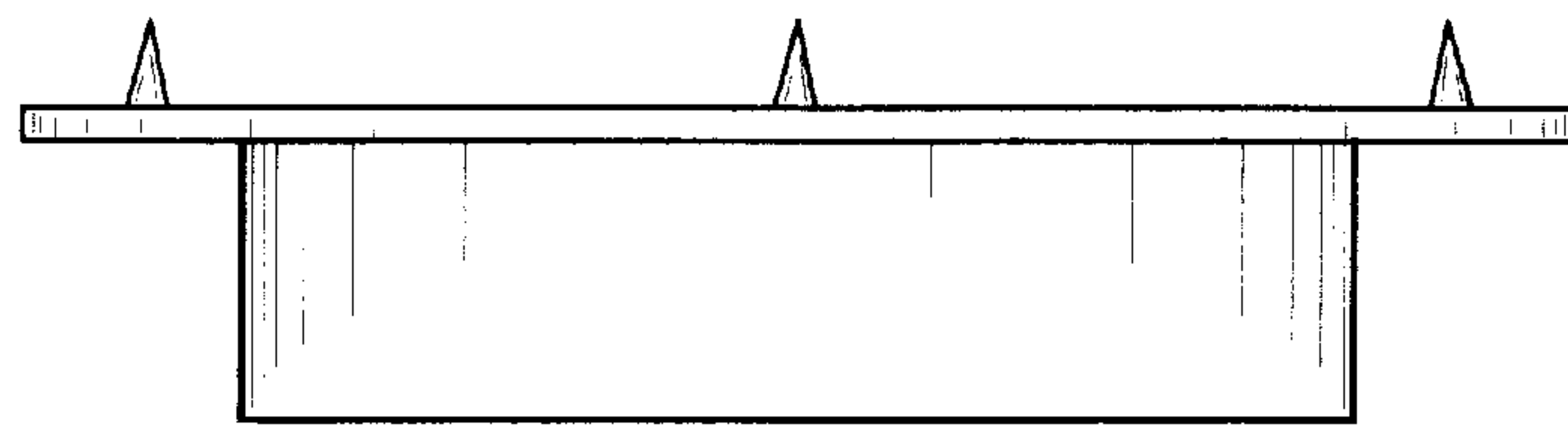
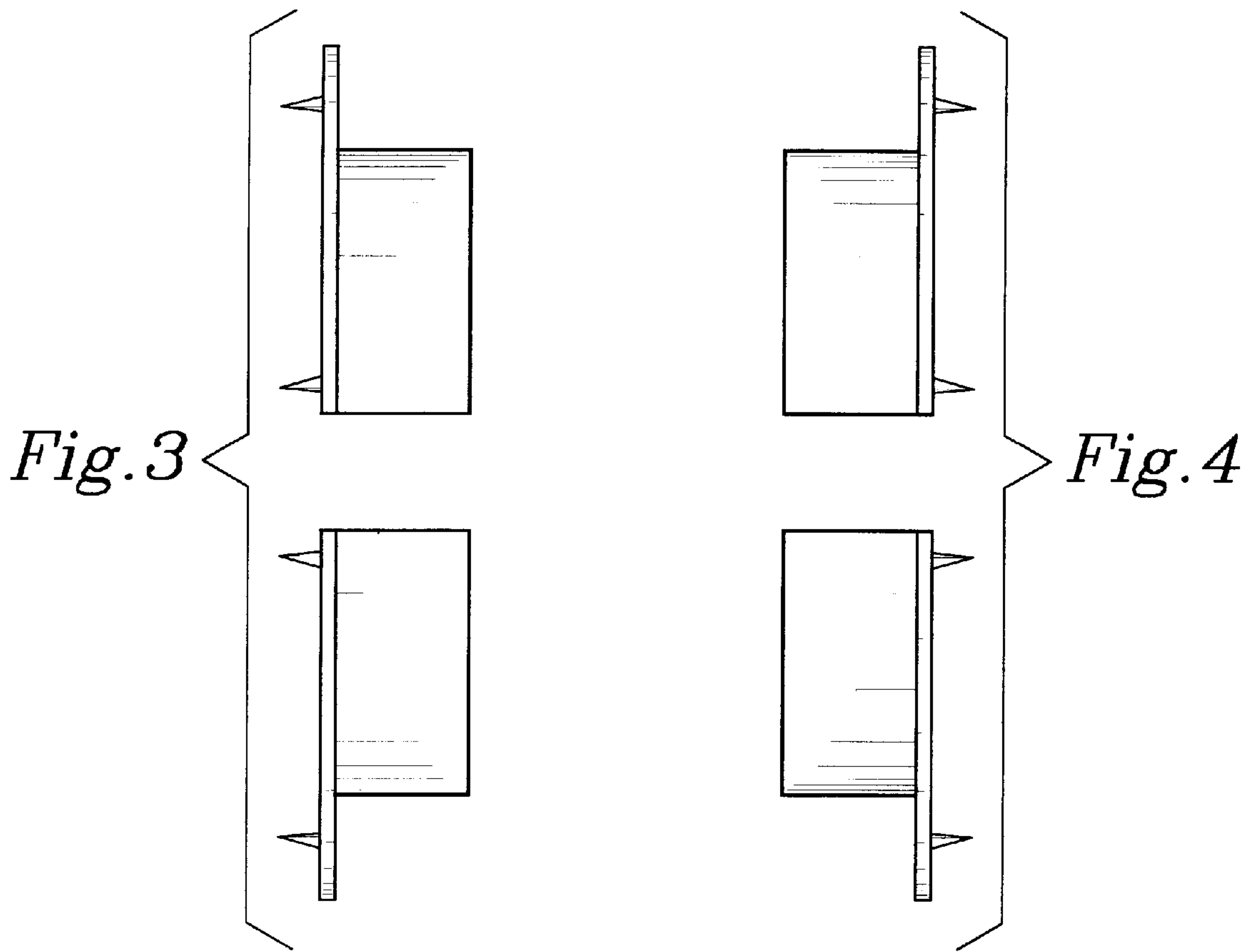


Fig. 5

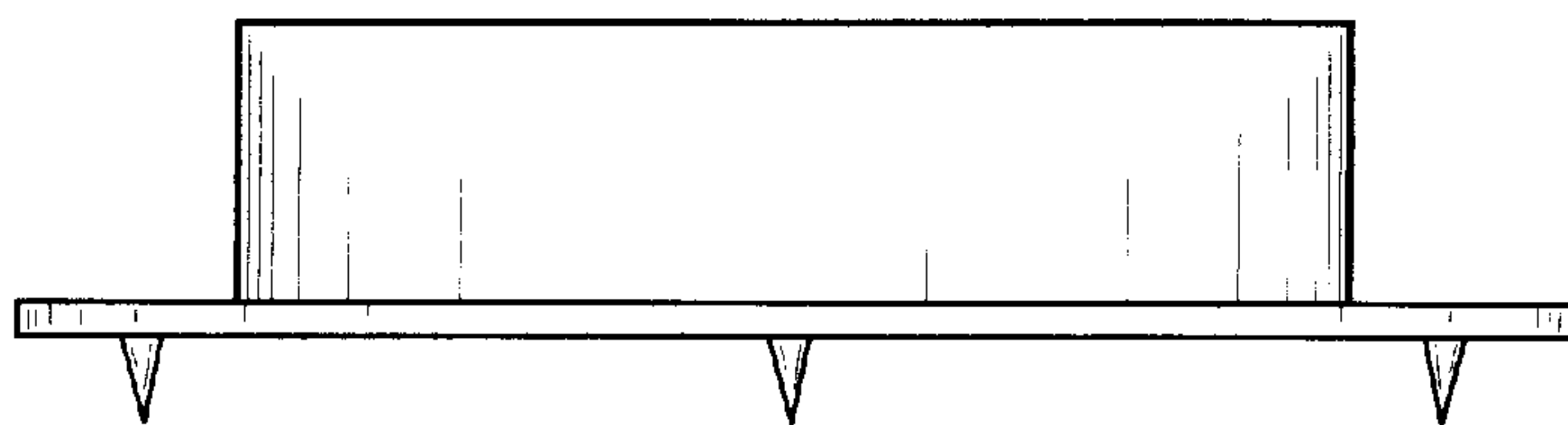
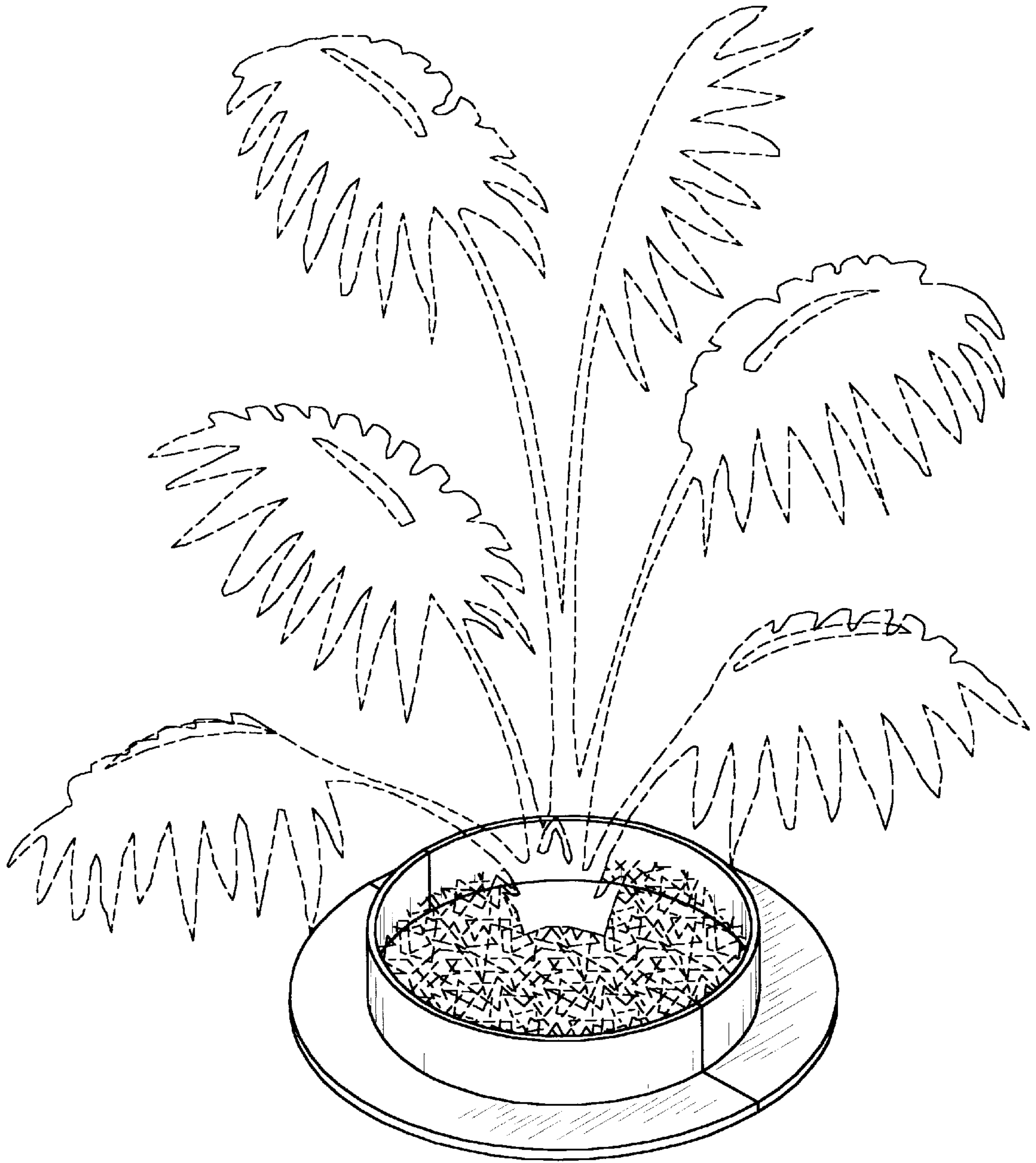


Fig. 6



*Fig. 7*