



US00D428779S

United States Patent [19]

Walker et al.

[11] Patent Number: **Des. 428,779**

[45] Date of Patent: **** Aug. 1, 2000**

[54] **BABY BOTTLE TONGS**

3,628,818 12/1971 Pittman 294/118

[76] Inventors: **William Walker; Khristine Walker**,
both of 207 Wilderness Acres, East
Stroudsburg, Pa. 18301

Primary Examiner—Terry A. Wallace

[**] Term: **14 Years**

[57] **CLAIM**

The ornamental design for a baby bottle tongs, as shown and described.

[21] Appl. No.: **29/112,713**

DESCRIPTION

[22] Filed: **Oct. 22, 1999**

[51] **LOC (7) Cl.** **07-06**

[52] **U.S. Cl.** **D7/687**

[58] **Field of Search** D7/686, 687; D24/199;
99/380-382, 538, 565; 294/99.1, 99.2, 118,
119

FIG. 1 is a top plan view of the baby bottle tongs of the present invention; the bottom view being a mirror image thereof;

FIG. 2 is a right side elevational view of the baby bottle tongs of FIG. 1; the left view being a mirror image thereof; FIG. 3 is a rear elevational view of the baby bottle tongs of FIG. 1; and,

FIG. 4 is a front elevational view of the baby bottle tongs of FIG. 1.

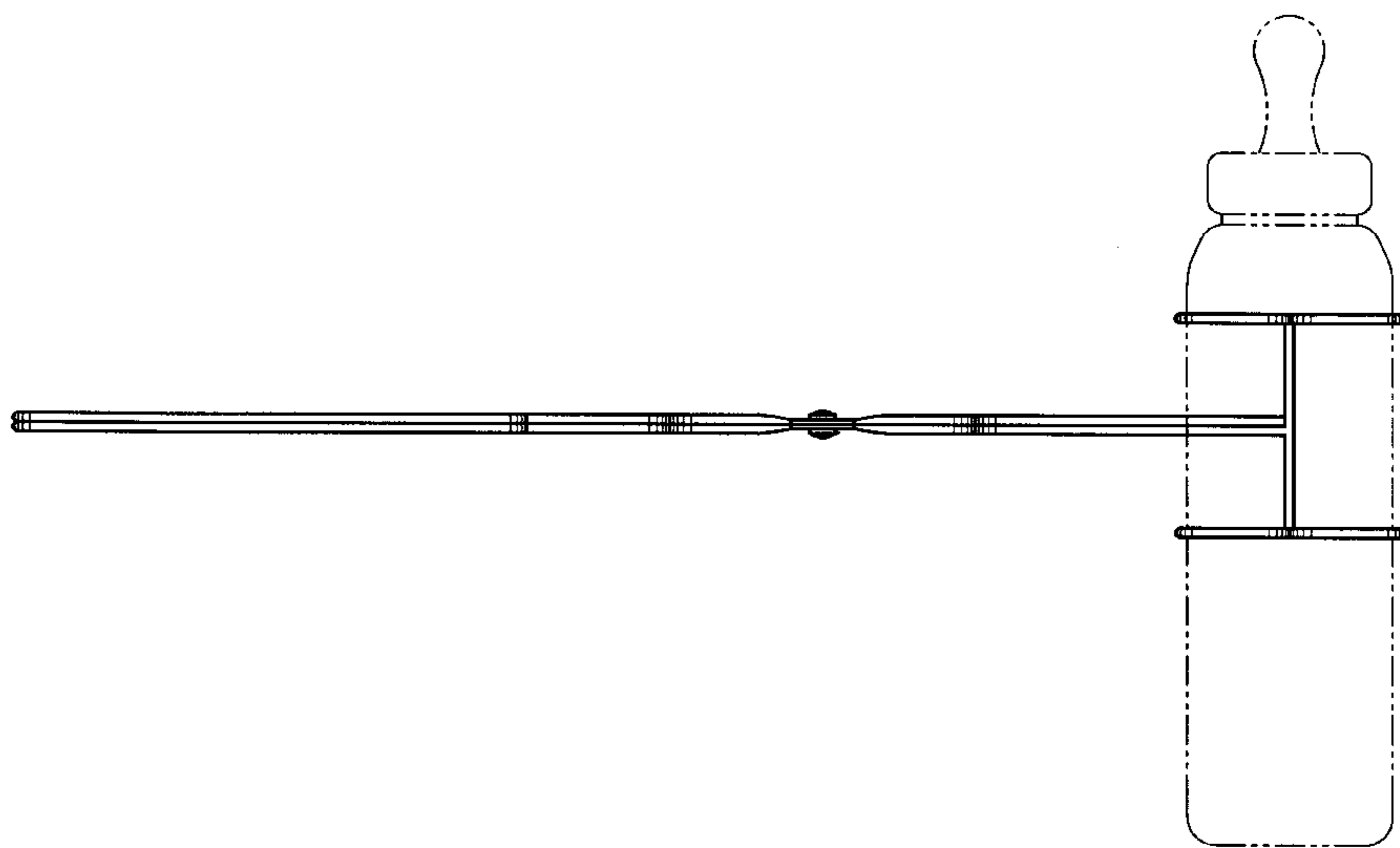
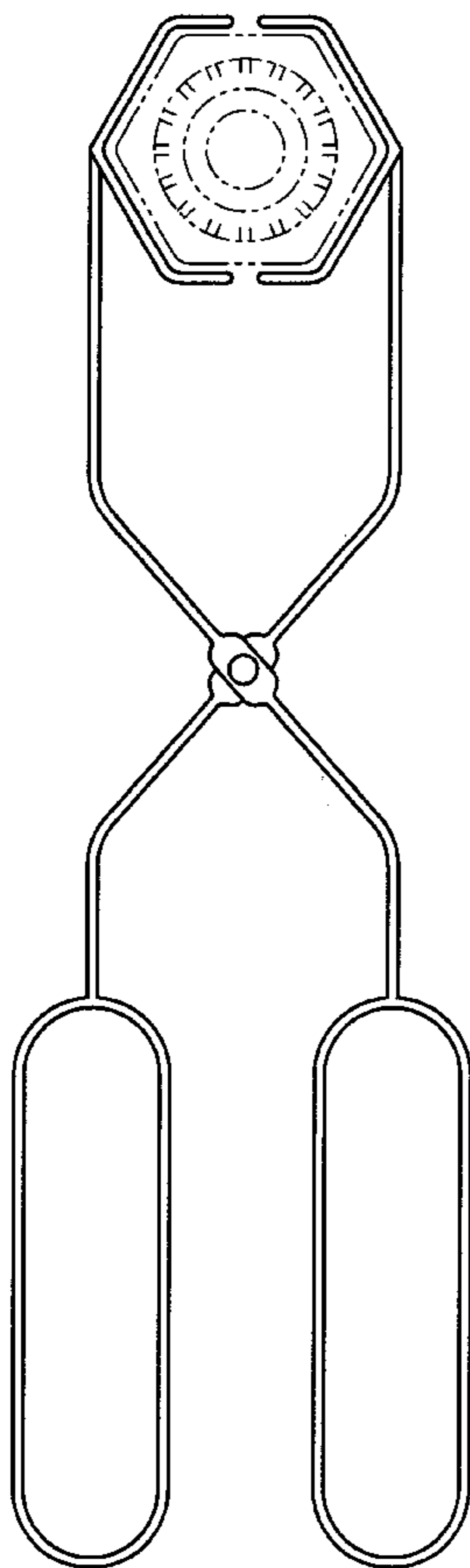
The broken lines showing of a bottle in FIGS. 1 and 2 are for illustrative purposes only and form no part of the claimed design.

[56] **References Cited**

U.S. PATENT DOCUMENTS

D. 165,221	11/1951	Dixon	D7/687
D. 236,678	9/1975	Radar	D7/687
3,292,963	12/1966	Materyn	294/29
3,361,468	1/1968	Case	294/118 X

1 Claim, 3 Drawing Sheets



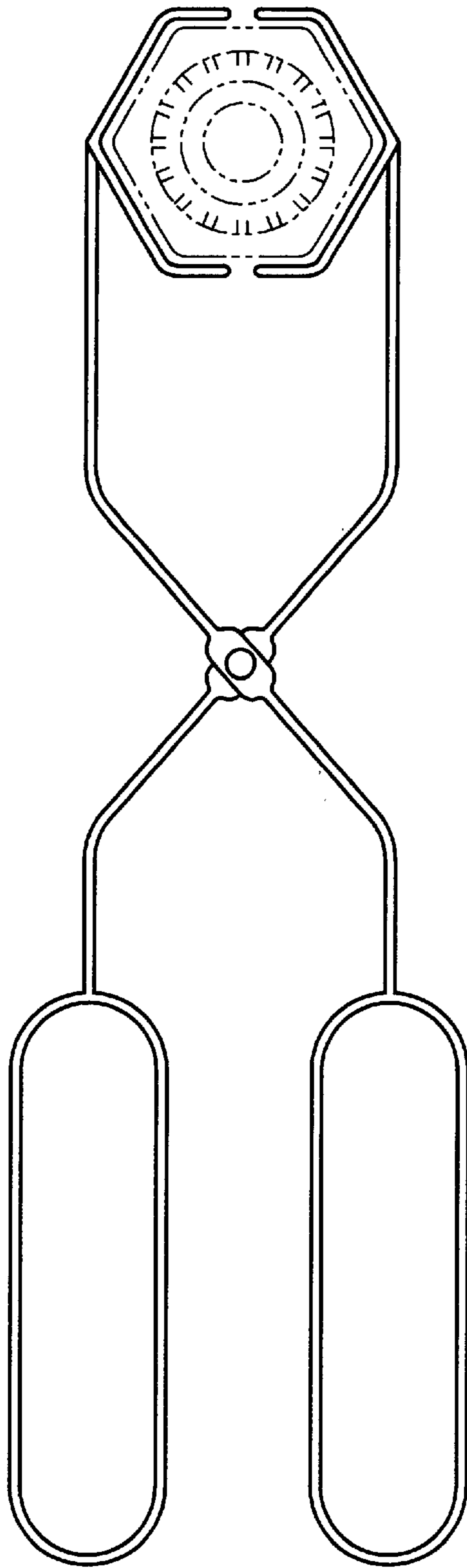


FIG. 1

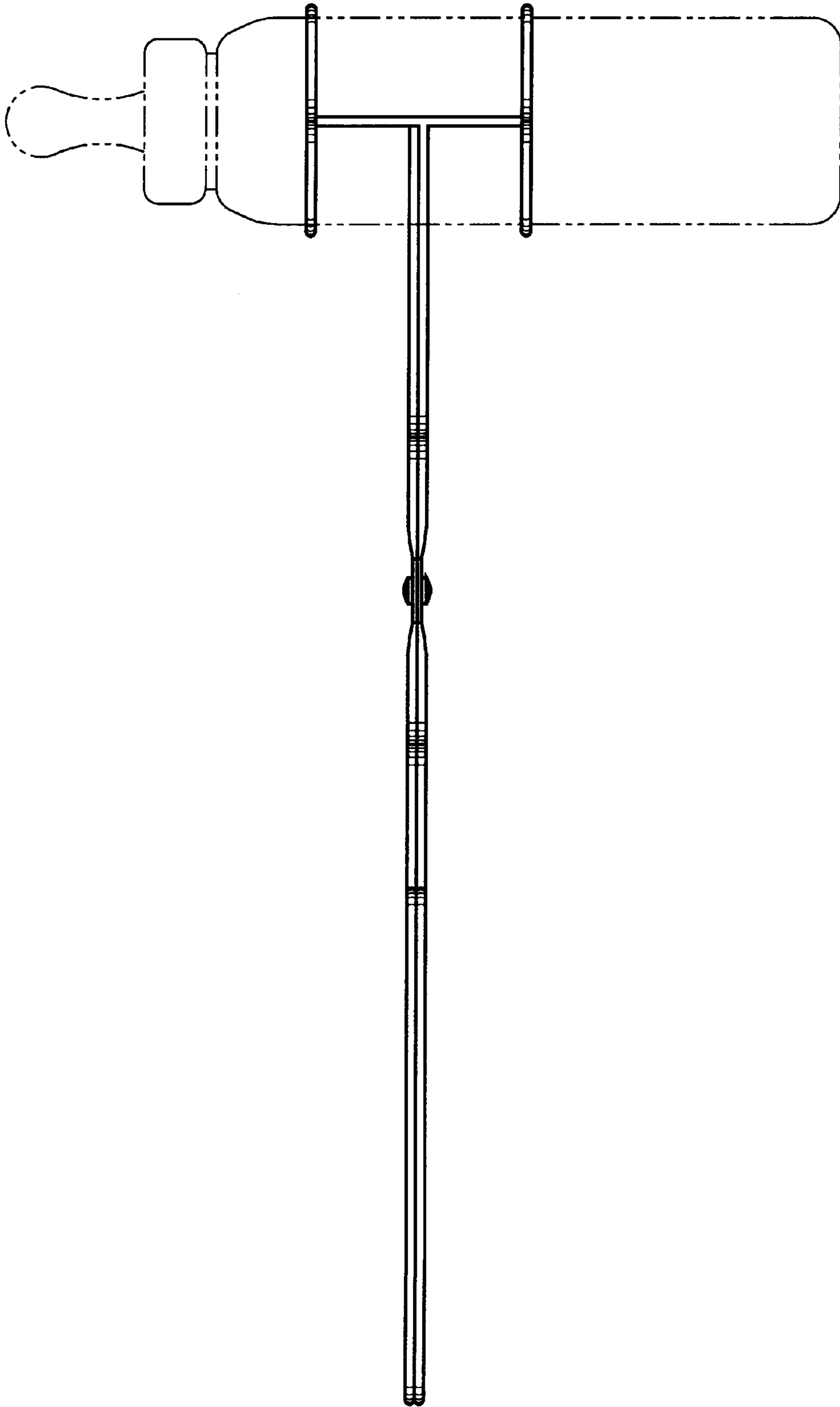


FIG. 2

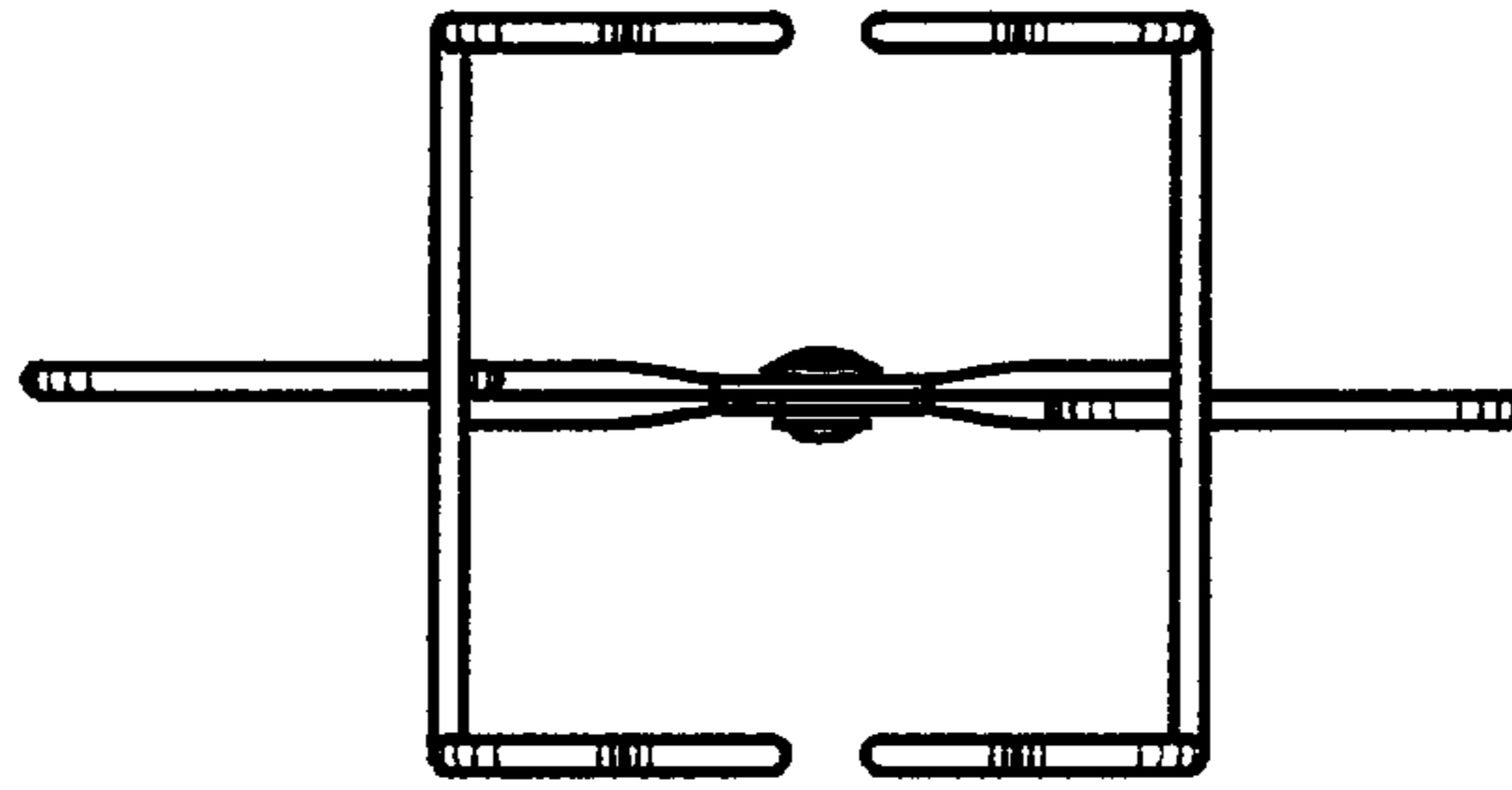


FIG. 3

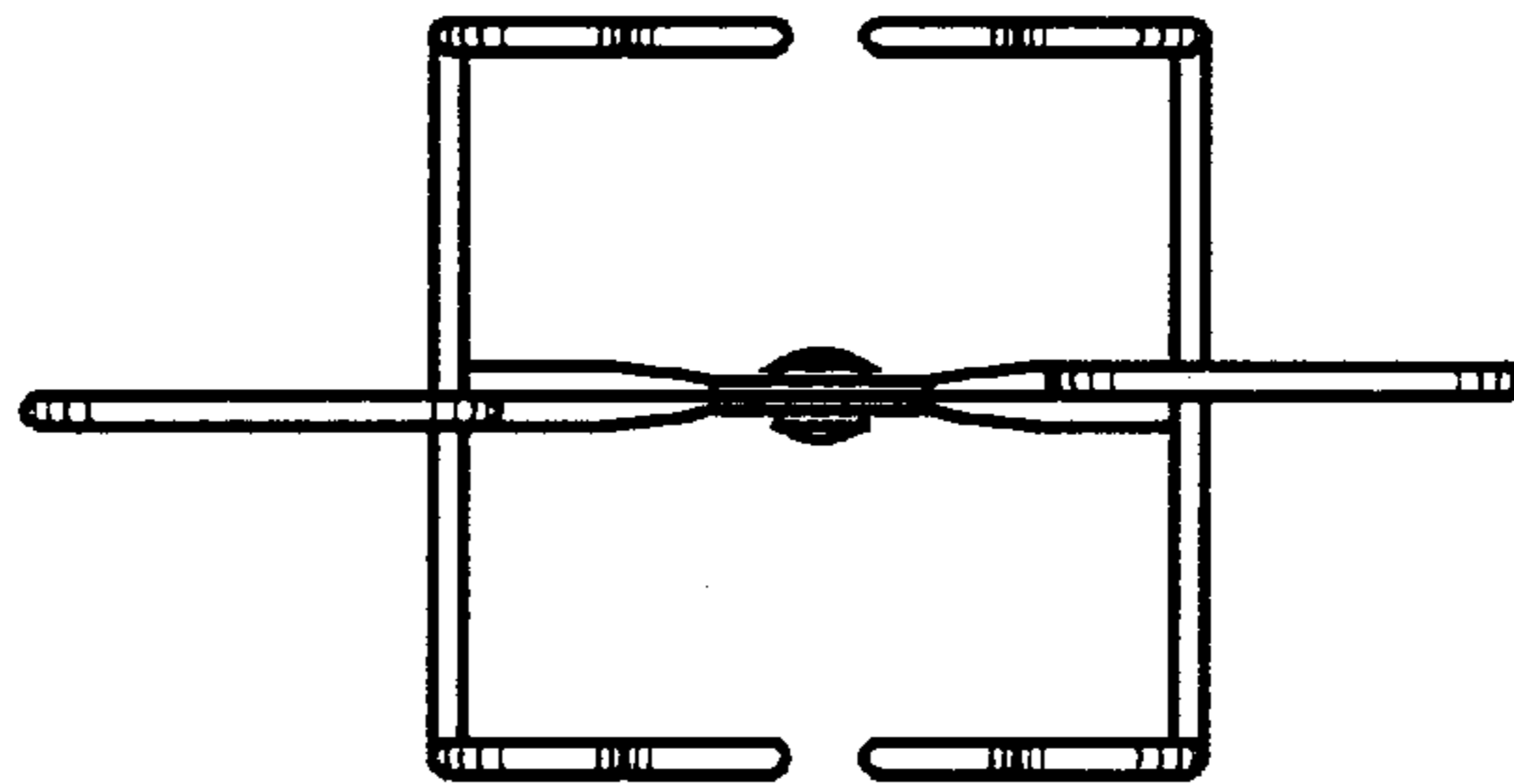


FIG. 4