



US00D428775S

**United States Patent** [19]  
**Chen**

[11] **Patent Number: Des. 428,775**

[45] **Date of Patent: \*\* Aug. 1, 2000**

[54] **BREAD BOX**

[76] Inventor: **Kuo-Chang Chen**, No. 469-4, Chung Shan Rd., Hsi Kang Hsiang, Tainan Hsien, Taiwan

[\*\*] Term: **14 Years**

[21] Appl. No.: **29/110,329**

[22] Filed: **Sep. 7, 1999**

[30] **Foreign Application Priority Data**

Aug. 19, 1999 [TW] Taiwan ..... 88305411

[51] **LOC (7) Cl.** ..... **07-07**

[52] **U.S. Cl.** ..... **D7/609**

[58] **Field of Search** ..... D7/609, 629; 99/483, 99/467; 211/49.1; 220/4.21, 331, 334, 558, 626; 312/229, 328, 284

[56] **References Cited**

**U.S. PATENT DOCUMENTS**

D. 166,225	3/1952	Popeil	.....	D7/609
D. 372,399	8/1996	Wang	.....	D7/609
2,736,452	2/1956	Roop	.....	220/4.21
5,494,187	2/1996	Schuelein et al.	.....	220/334 X

**OTHER PUBLICATIONS**

Williams-Sonoma Catalog, p. 55, Bread Box, upper, right corner, Aug. 1997.

*Primary Examiner*—Terry A. Wallace  
*Attorney, Agent, or Firm*—Rosenberg, Klein & Lee

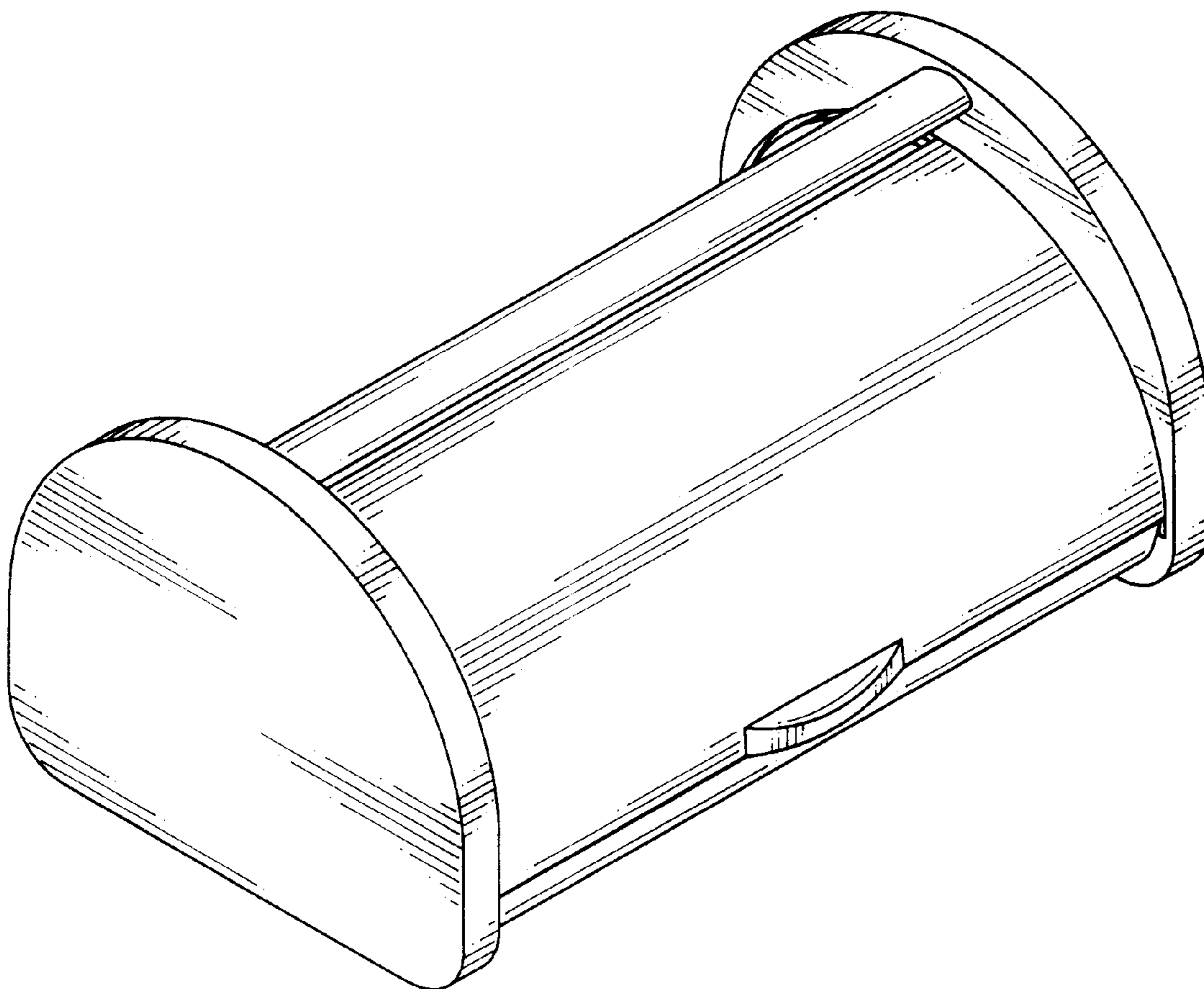
[57] **CLAIM**

The ornamental design for a bread box, as shown and described.

**DESCRIPTION**

FIG. 1 is a front-left-top perspective view of a bread box showing my new design;  
FIG. 2 is a front view thereof;  
FIG. 3 is a rear view thereof;  
FIG. 4 is a left side view thereof;  
FIG. 5 is a right side view thereof;  
FIG. 6 is a top plan view thereof;  
FIG. 7 is a bottom plan view thereof; and,  
FIG. 8 is a perspective view showing an embodiment of the claimed design, wherein a cover is opened relative to the box of the claimed design.

**1 Claim, 5 Drawing Sheets**



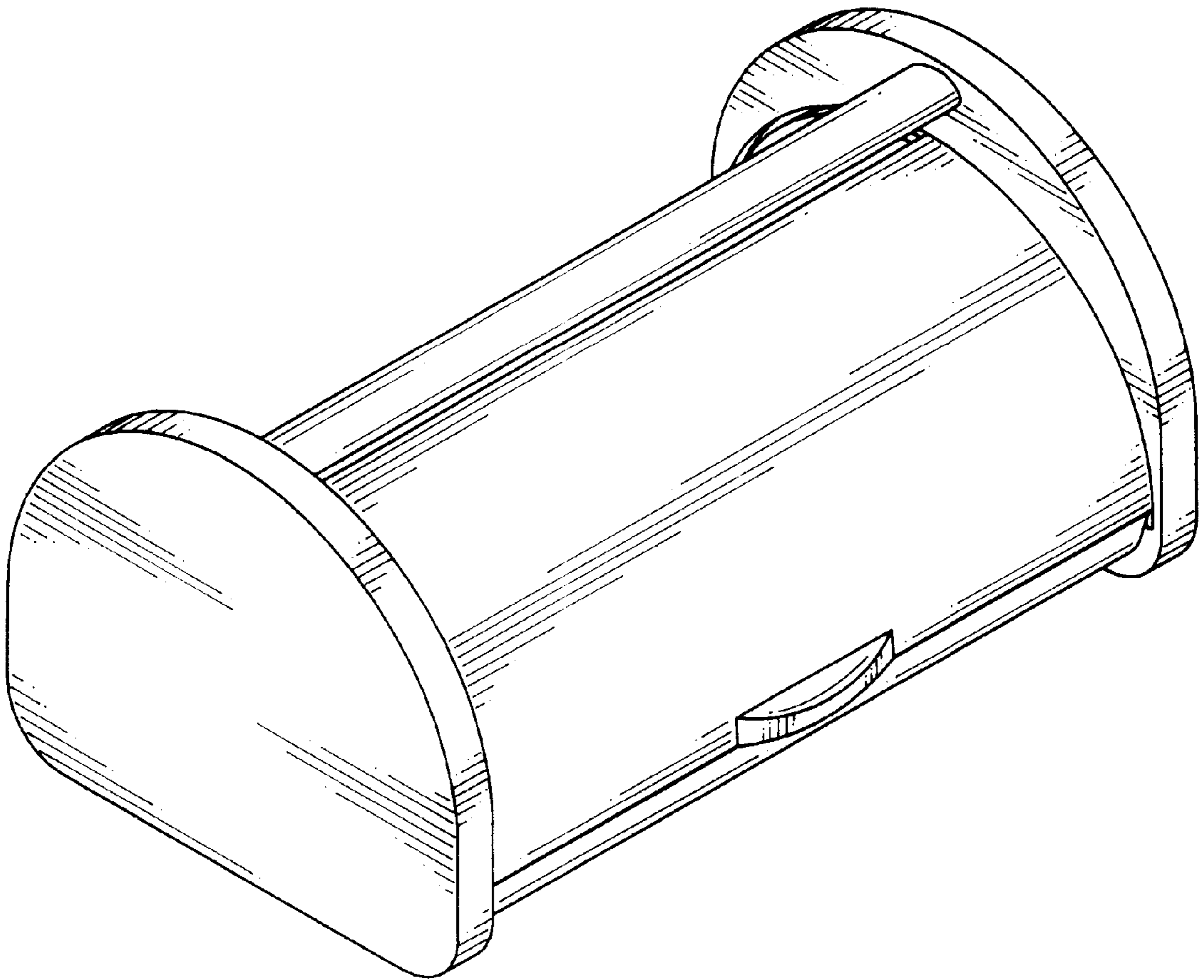


FIG.1

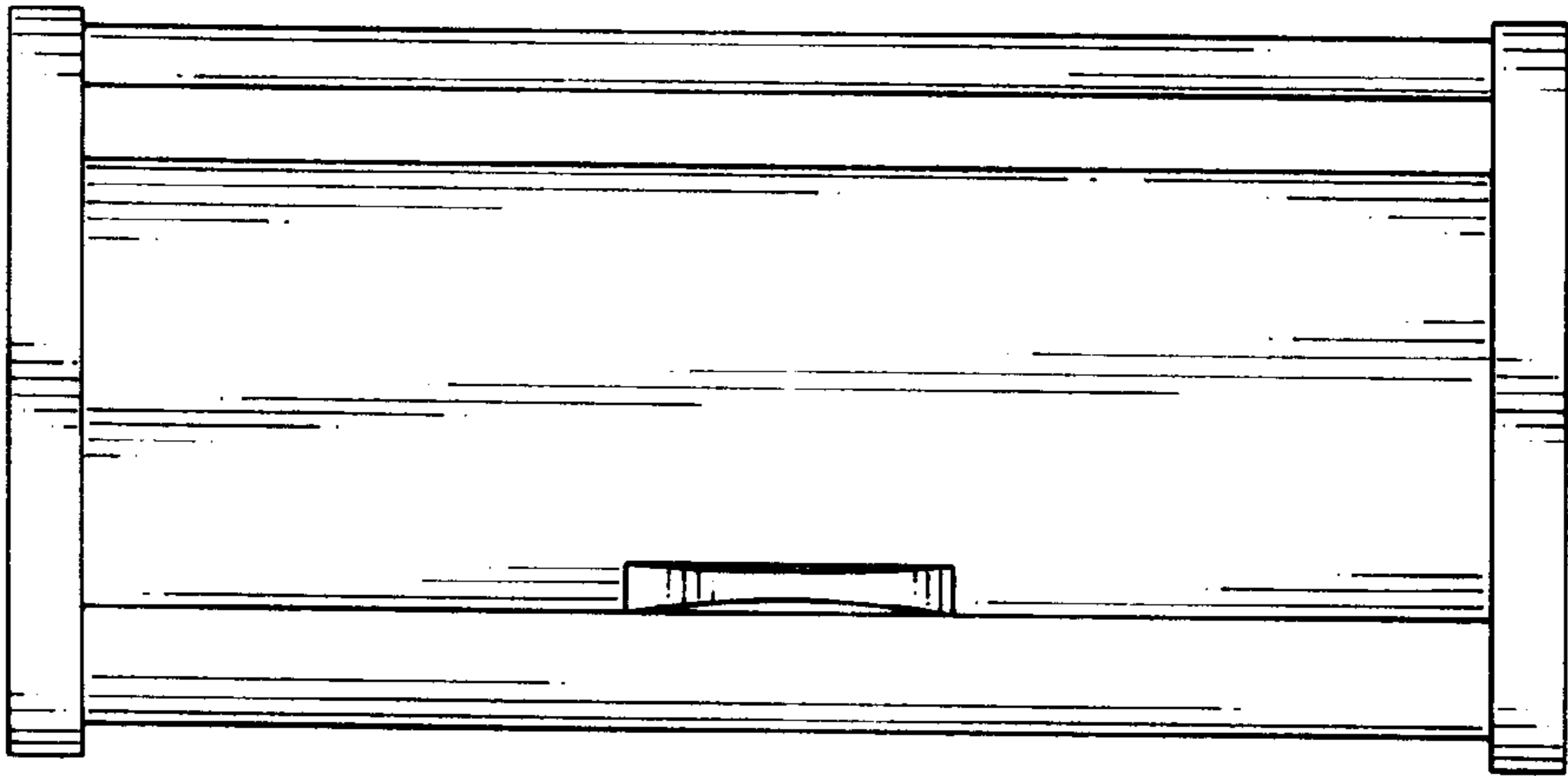


FIG. 2

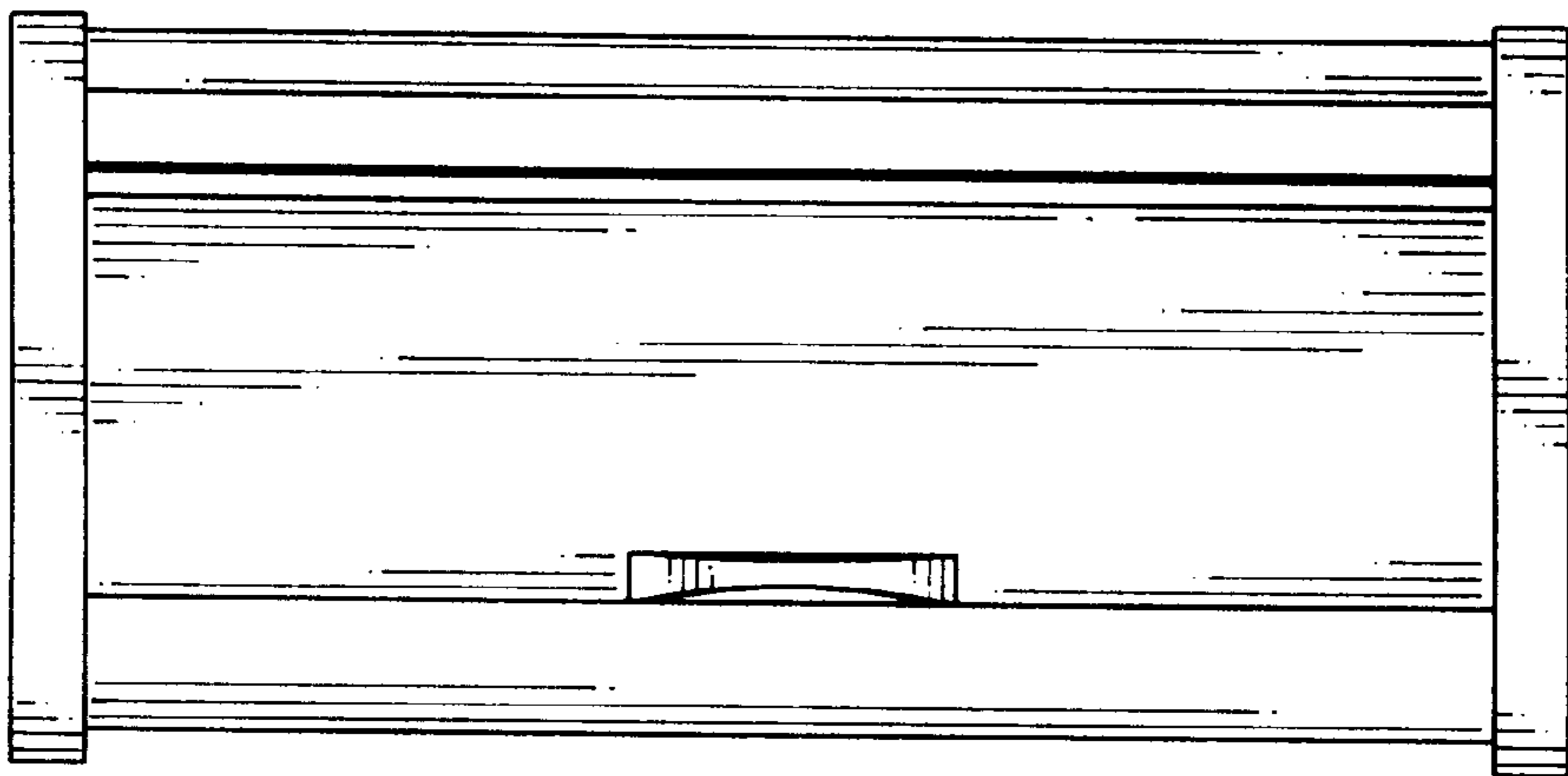


FIG. 3

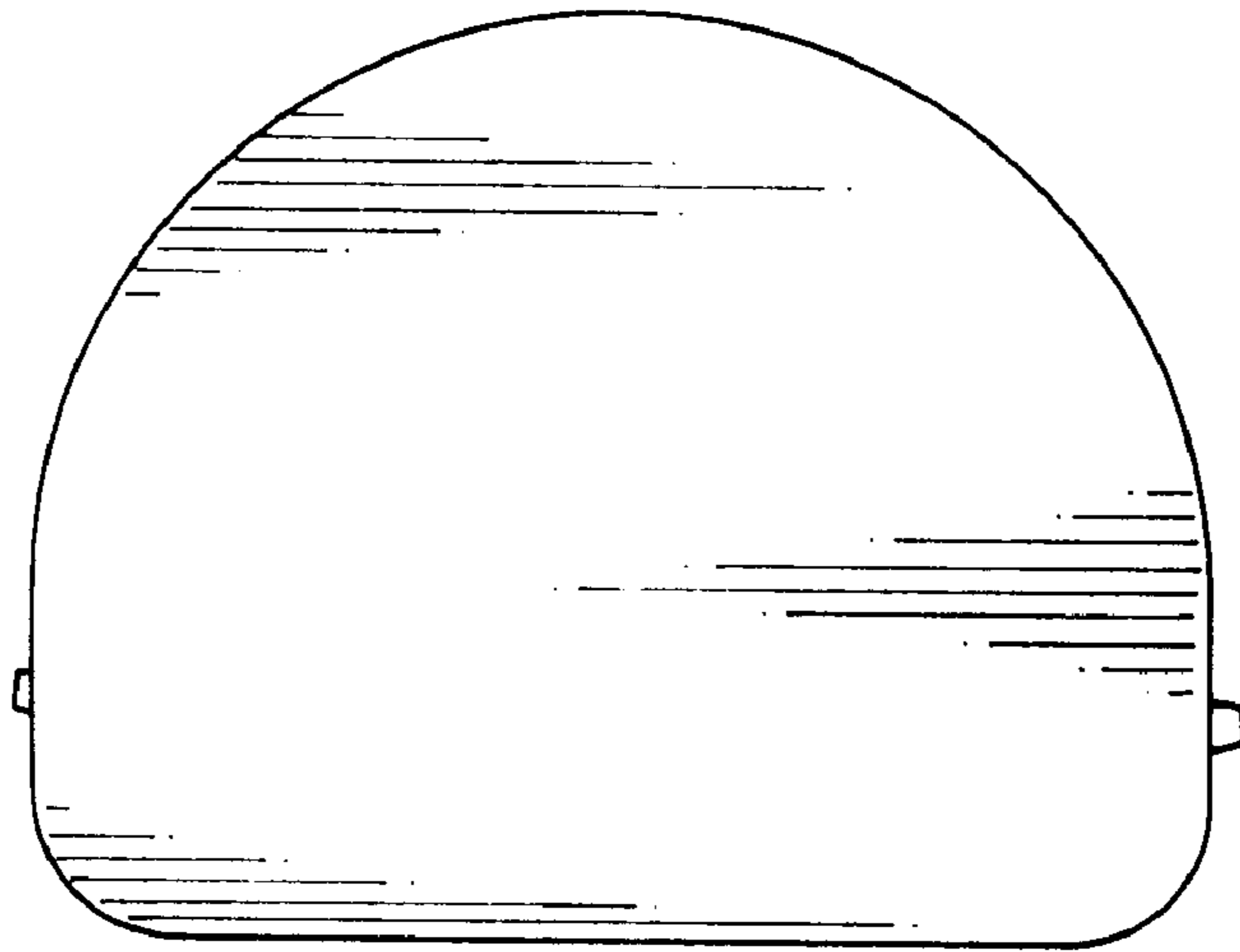


FIG. 4

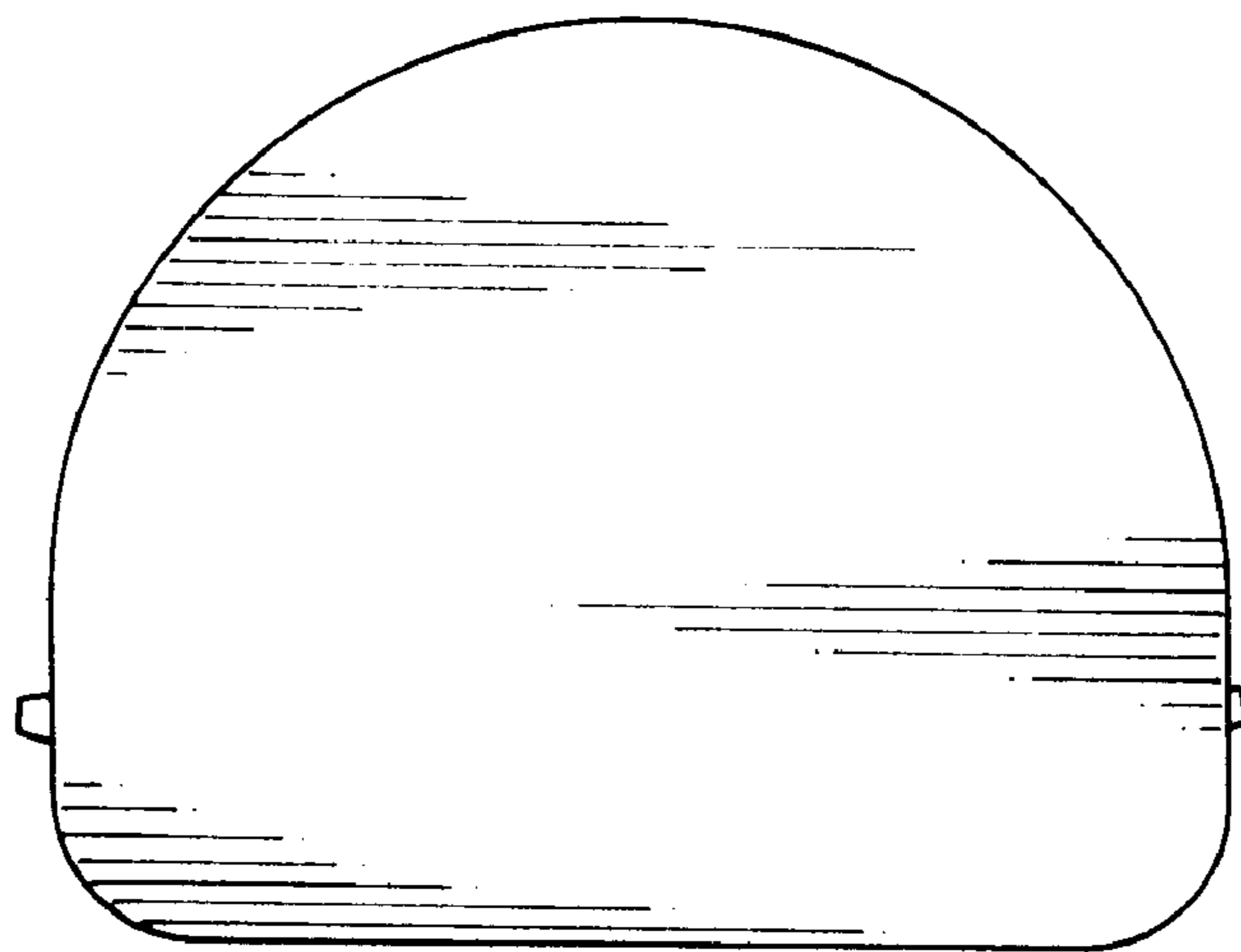


FIG. 5

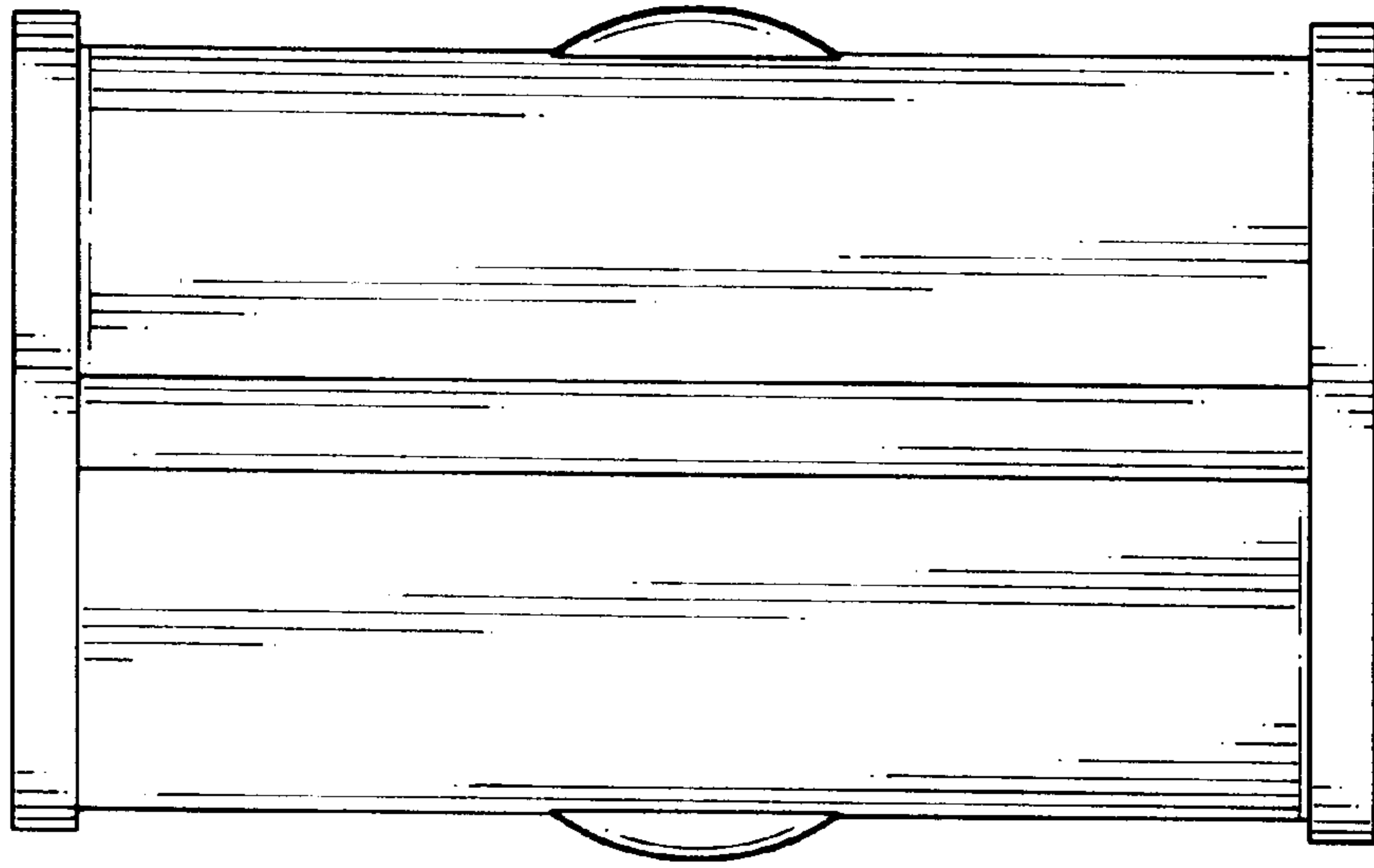


FIG. 6

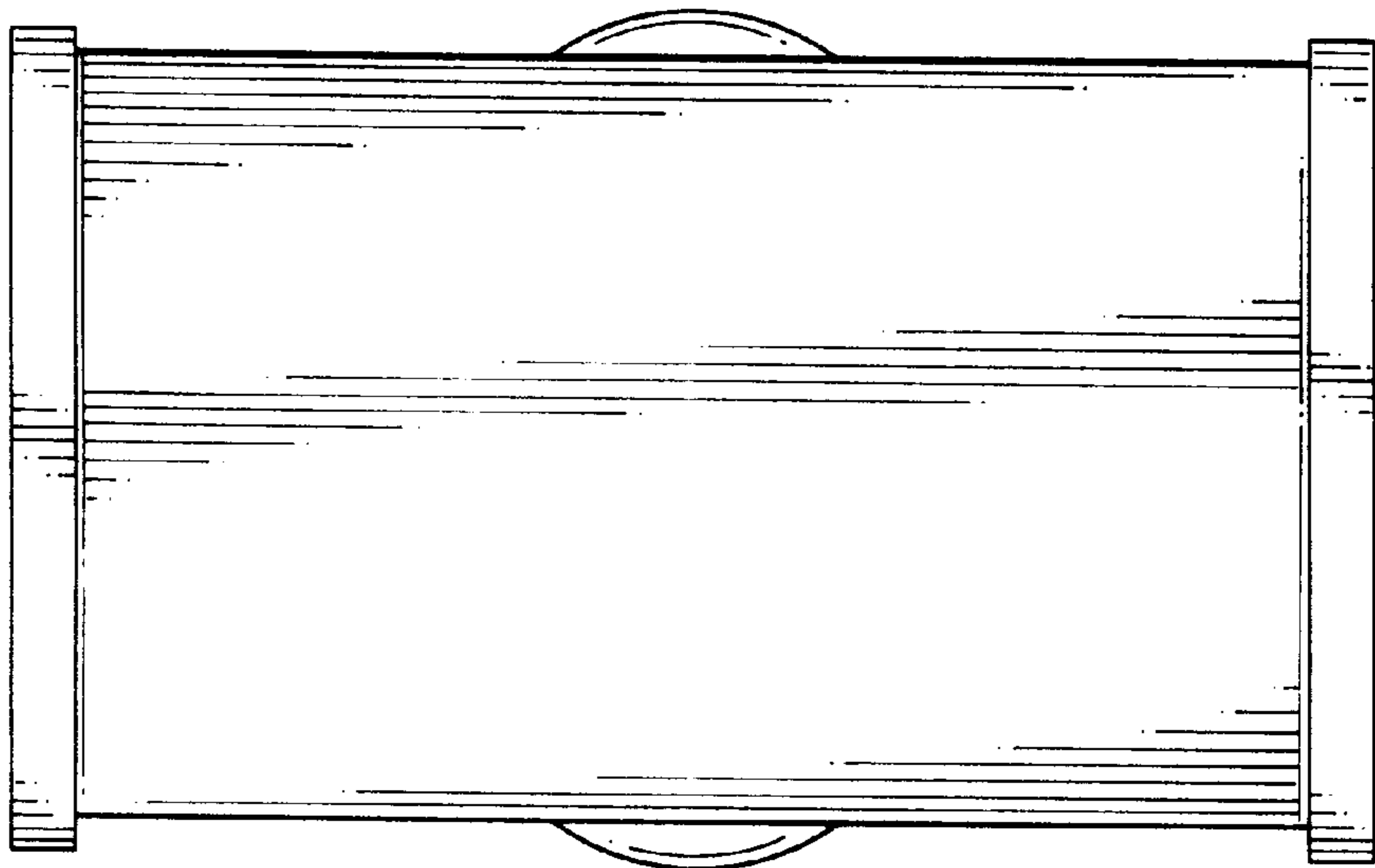


FIG. 7



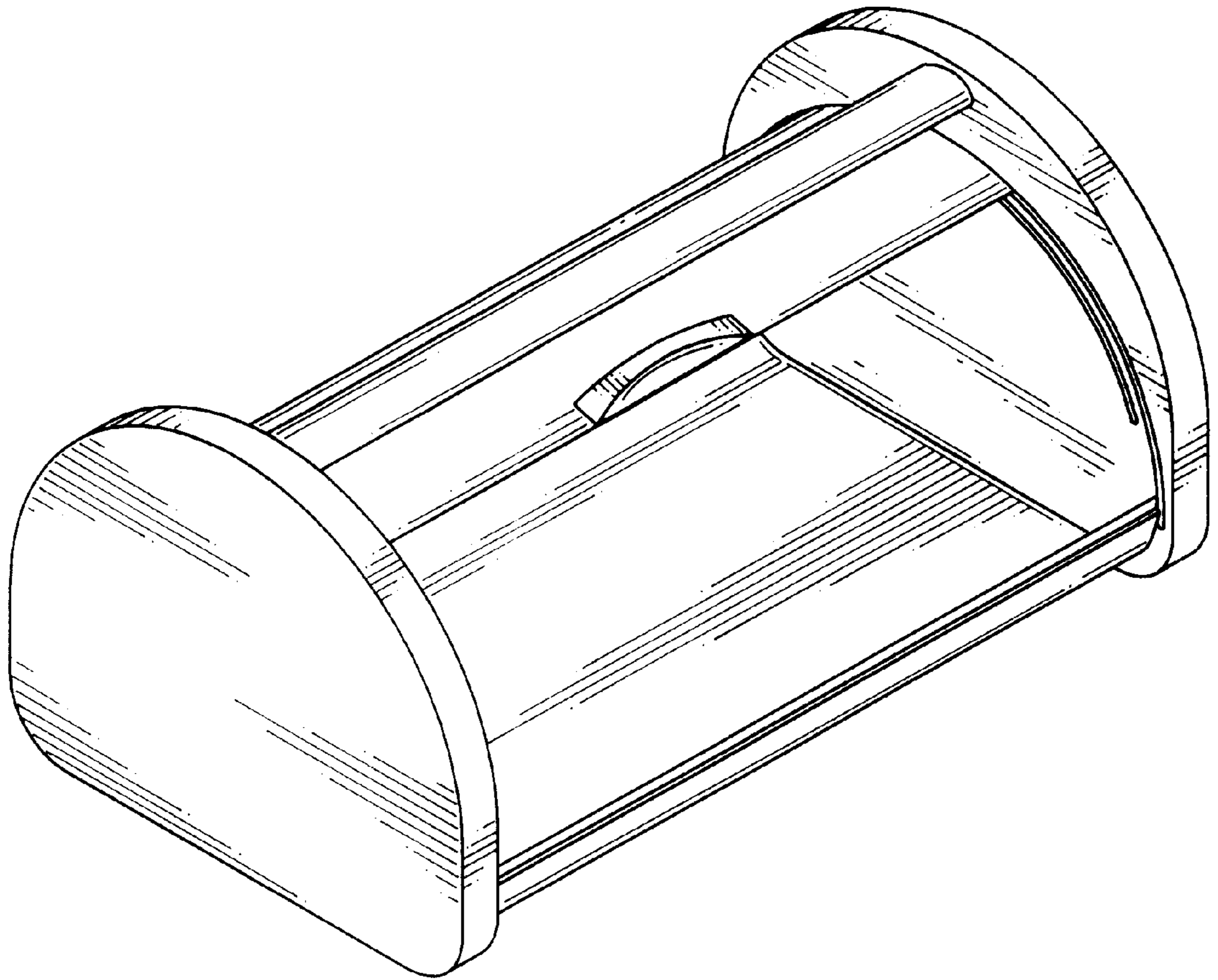


FIG. 8