



US00D428773S

# United States Patent [19] Mount

[11] **Patent Number: Des. 428,773**

[45] **Date of Patent: \*\* Aug. 1, 2000**

[54] **BEVERAGE COOLER**

5,564,288 10/1996 Lewis ..... 62/372

[76] Inventor: **Floyd E. Mount**, 105 12th Ave. NW.,  
Waukon, Iowa 52172

*Primary Examiner*—Terry A. Wallace  
*Attorney, Agent, or Firm*—Henderson & Sturm LLP

[\*\*] Term: **14 Years**

[57] **CLAIM**

[21] Appl. No.: **29/112,122**

The ornamental design for a beverage cooler, as shown and described.

[22] Filed: **Oct. 8, 1999**

### DESCRIPTION

[51] **LOC (7) Cl.** ..... **07-07**

[52] **U.S. Cl.** ..... **D7/605**

[58] **Field of Search** ..... D7/605; D6/396,  
D6/432, 436, 448-451; D34/1, 5; 62/371,  
372; 220/592.02, 592.03, 592.09; 312/36,  
116, 400; D15/81, 83

FIG. 1 is a perspective view of the beverage cooler showing my new design;

FIG. 2 is a front elevational view thereof;

FIG. 3 is a left side elevational view thereof;

FIG. 4 is a top plan view thereof;

FIG. 5 is a rear elevational view thereof;

FIG. 6 is a right side elevational view thereof; and,

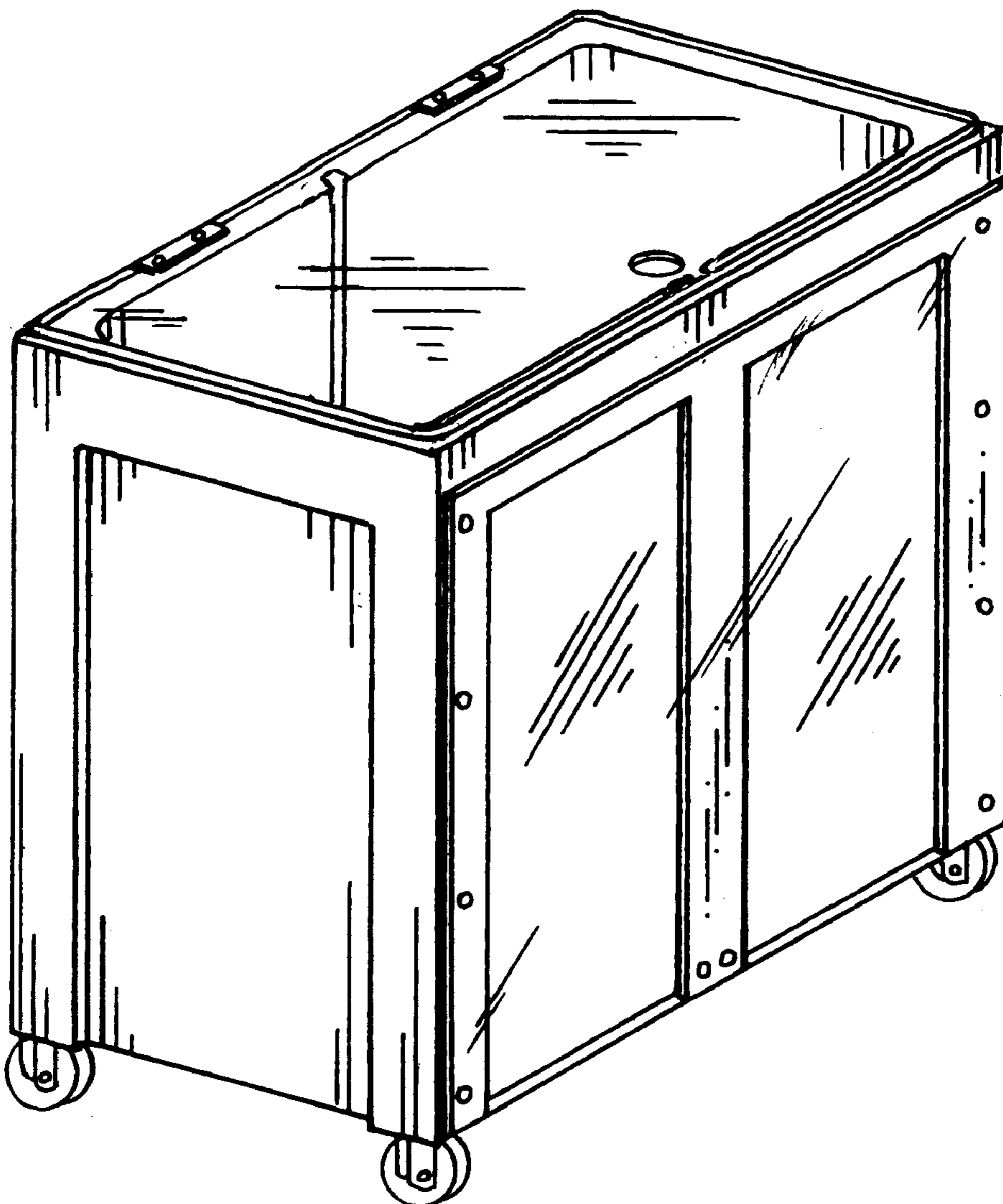
FIG. 7 is a bottom plan view thereof.

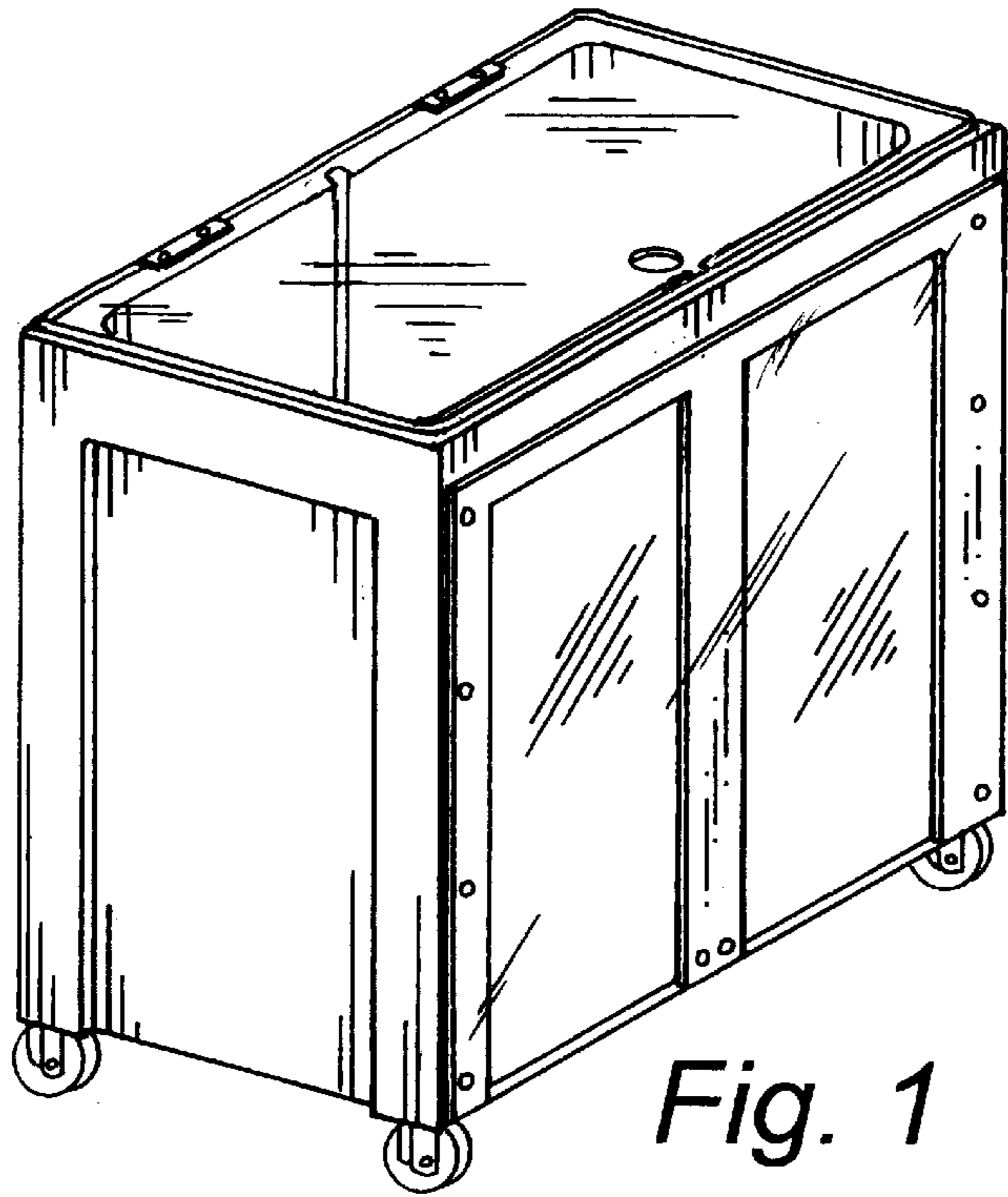
[56] **References Cited**

#### U.S. PATENT DOCUMENTS

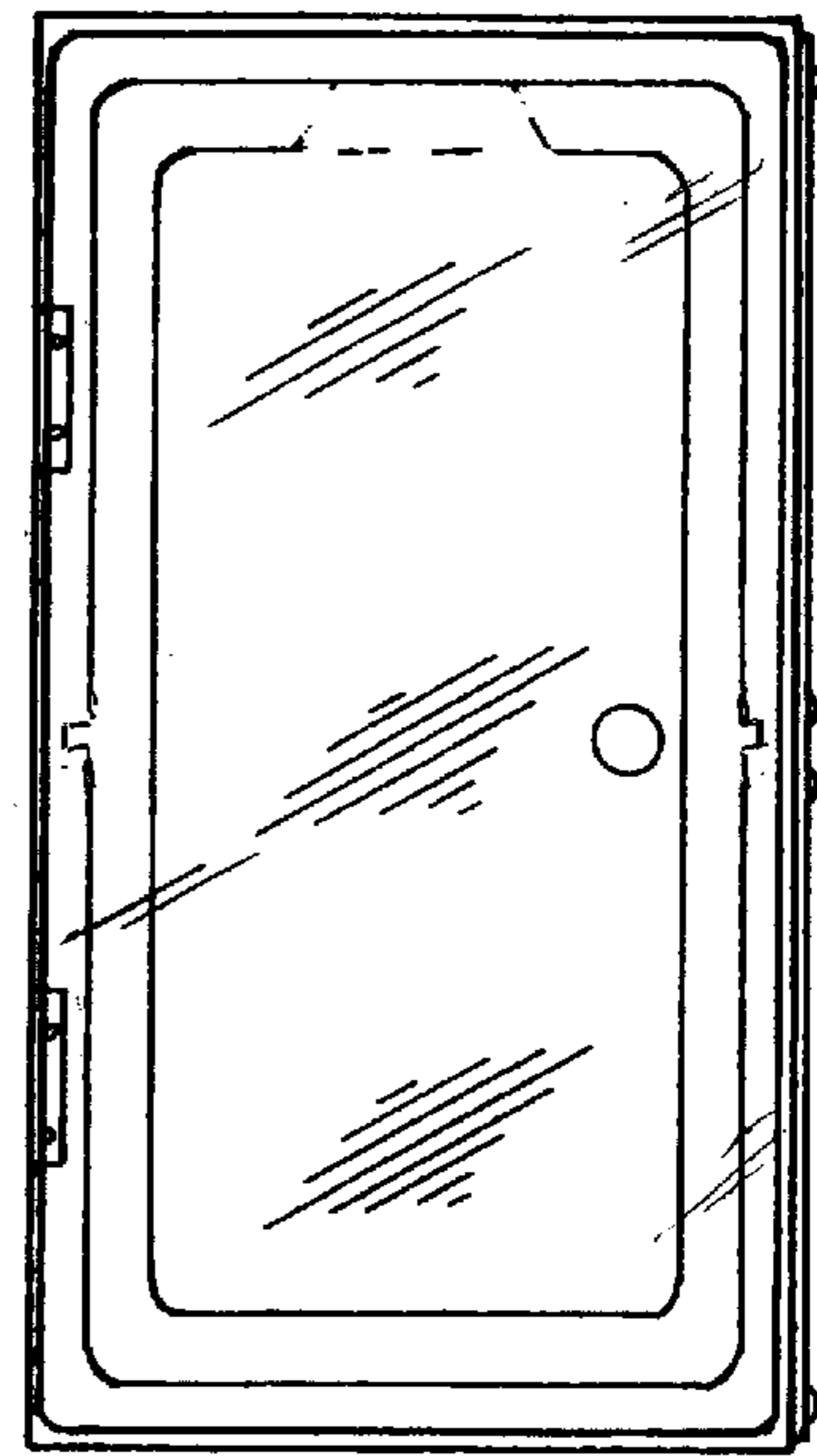
4,896,785 1/1990 Sodervall ..... 312/116

**1 Claim, 2 Drawing Sheets**

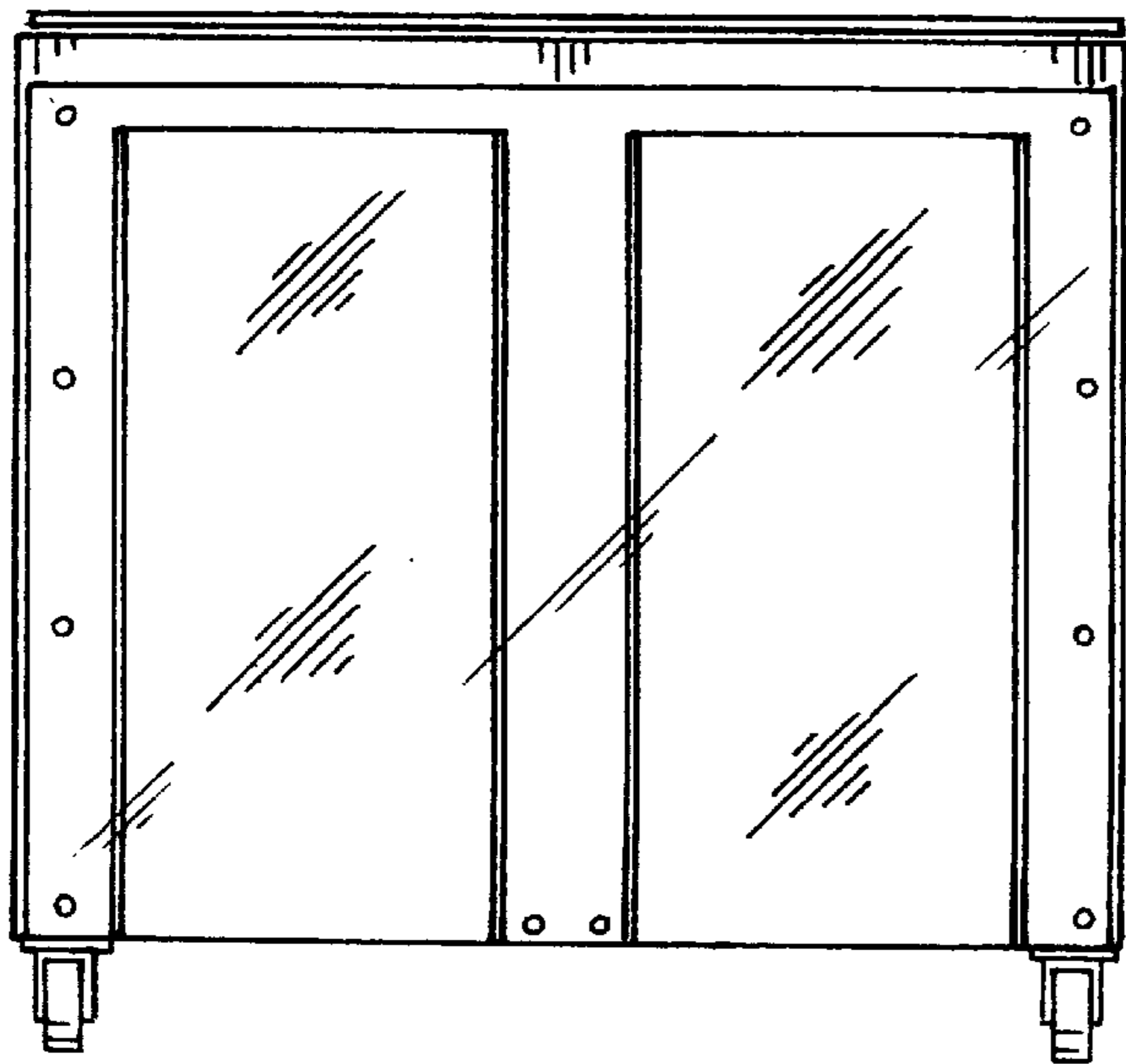




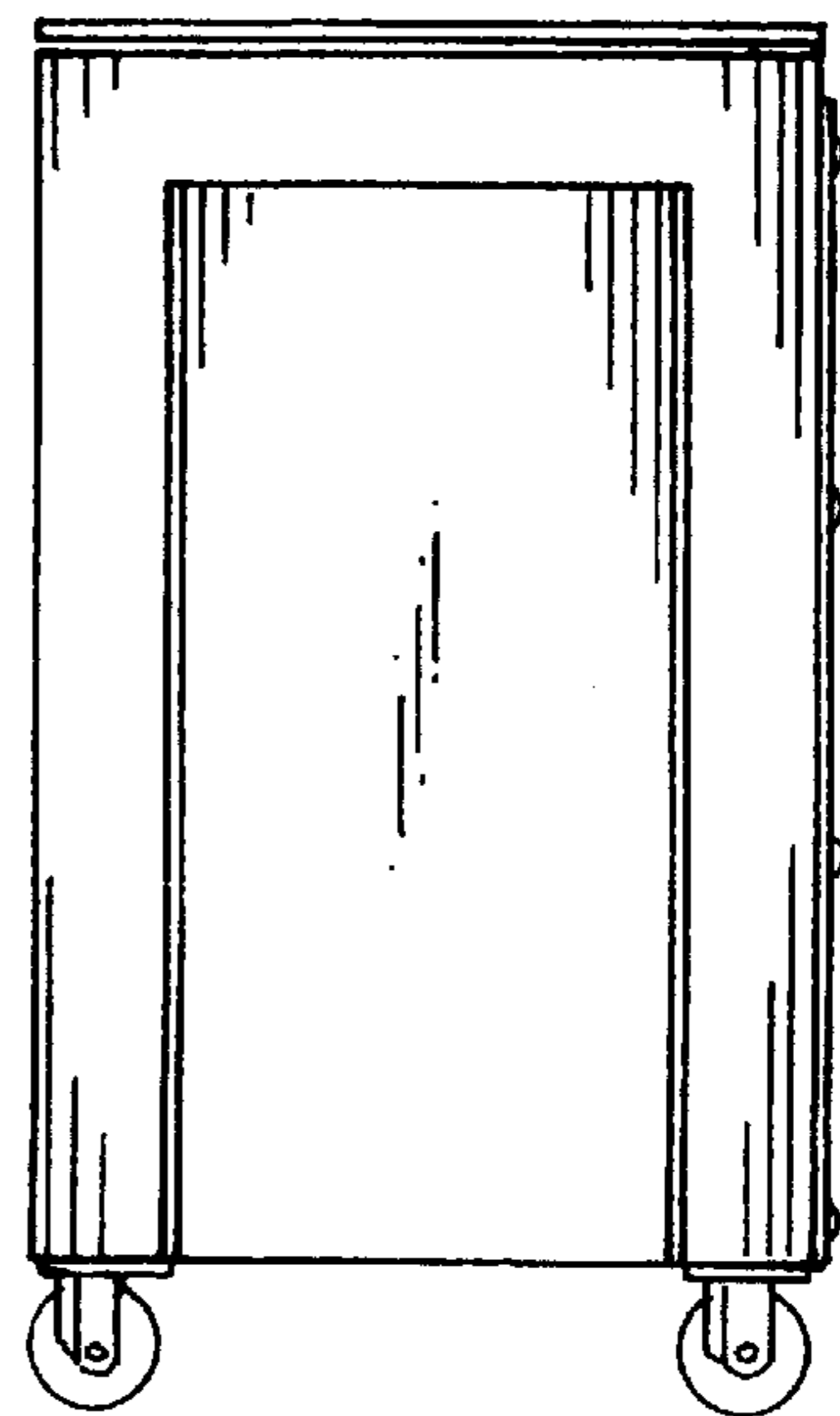
*Fig. 1*



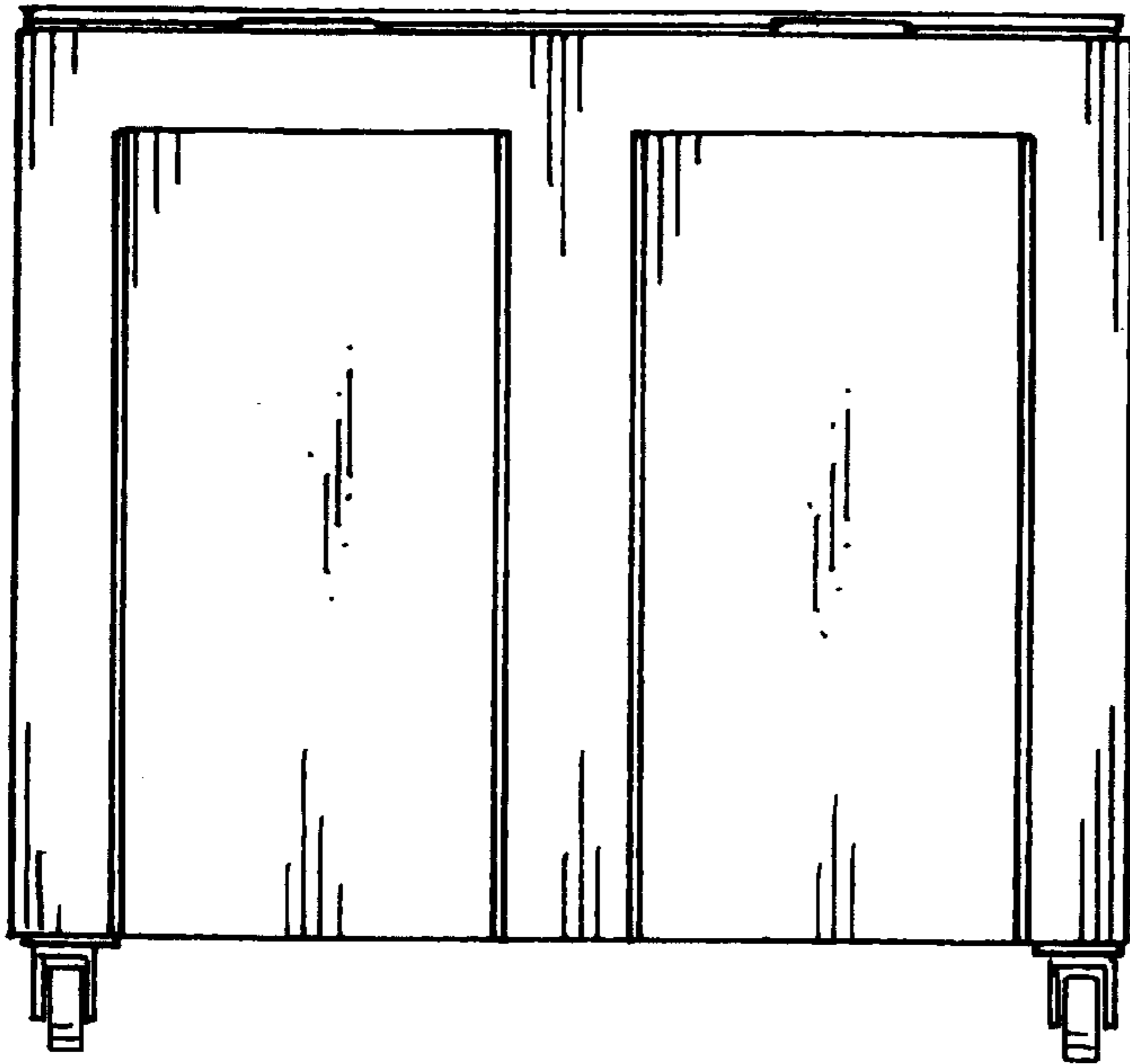
*Fig. 4*



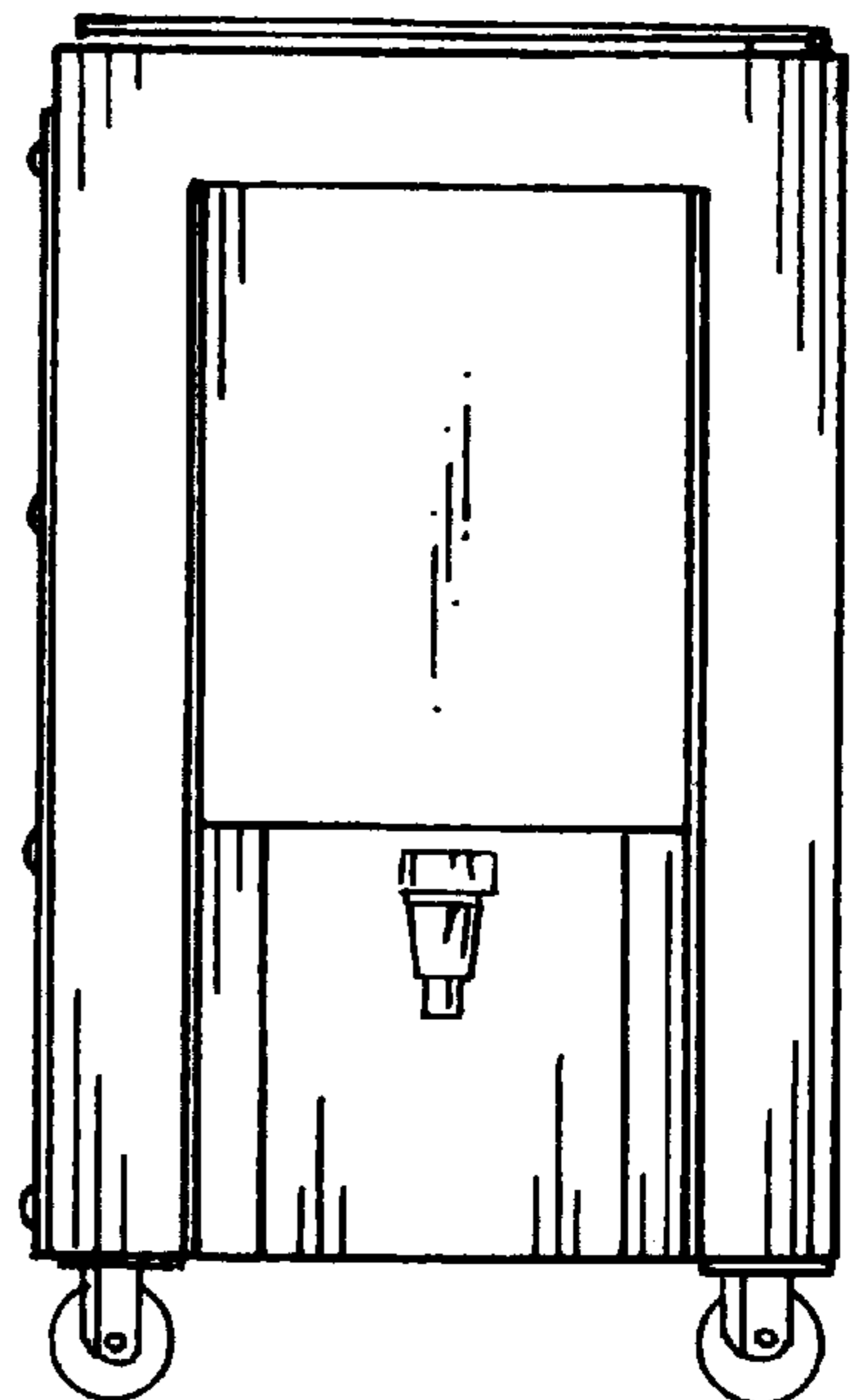
*Fig. 2*



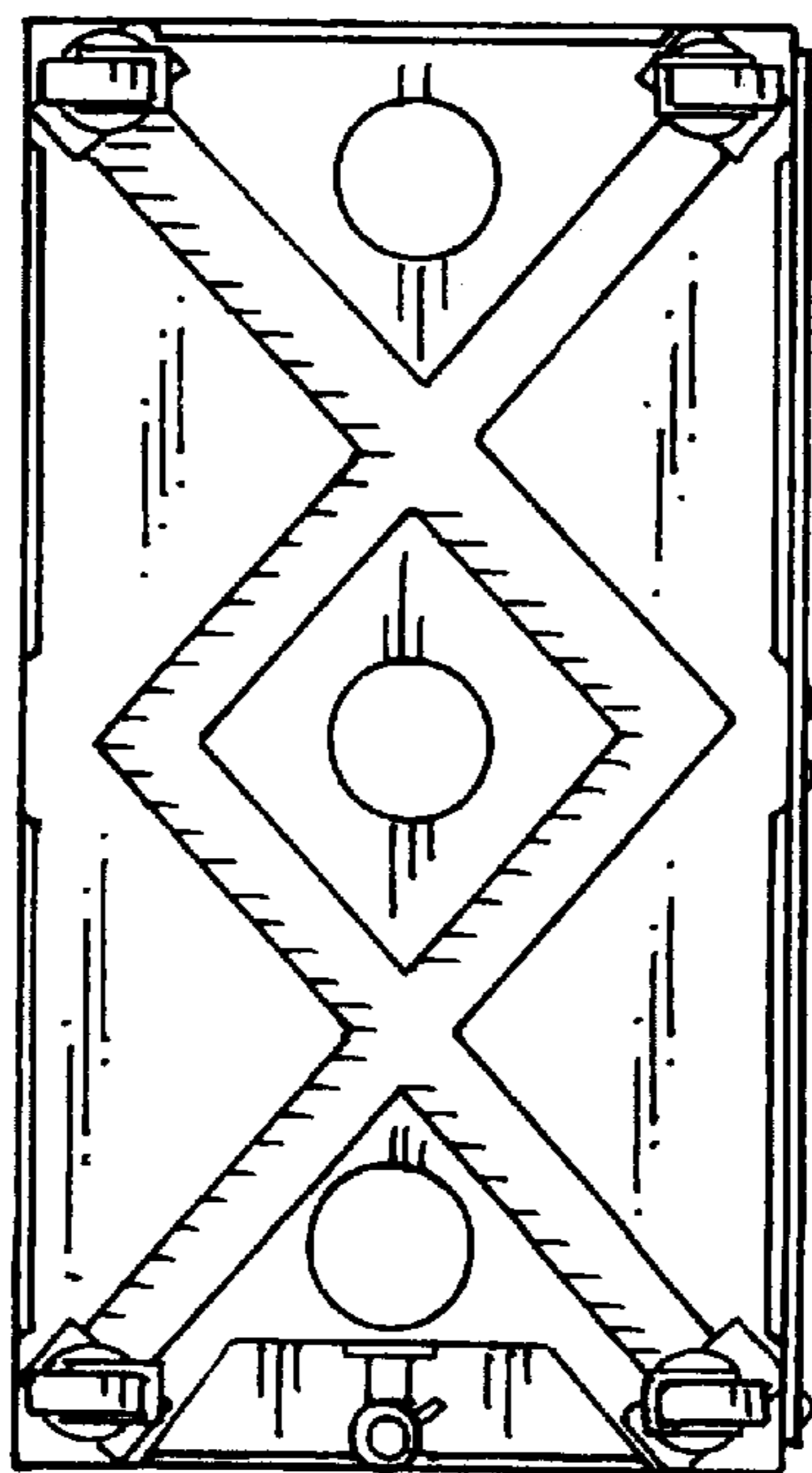
*Fig. 3*



*Fig. 5*



*Fig. 6*



*Fig. 7*