



US00D428771S

United States Patent [19]

Novi

[11] **Patent Number: Des. 428,771**

[45] **Date of Patent: ** Aug. 1, 2000**

[54] **FOOD PRESENTER**

[76] Inventor: **John Novi**, Rte. 213, Box 96, High Falls, N.Y. 12440

[**] Term: **14 Years**

[21] Appl. No.: **29/106,863**

[22] Filed: **Jun. 24, 1999**

[51] **LOC (7) Cl.** **07-01**

[52] **U.S. Cl.** **D7/550.1**

[58] **Field of Search** D7/505, 500, 525, D7/387, 397, 213; 220/574, 23.83; 206/501, 821, 561, 217, 515, 564

[56] **References Cited**

U.S. PATENT DOCUMENTS

D. 211,532 6/1968 Ashton 206/517 X

D. 411,709 6/1999 Curtis et al. D7/500
2,117,102 5/1938 Pittler 206/517
5,060,820 10/1991 Boerner 206/562

Primary Examiner—Antoine Duval Davis
Attorney, Agent, or Firm—Joseph L. Spiegel

[57] **CLAIM**

The ornamental design for a food presenter, as shown.

DESCRIPTION

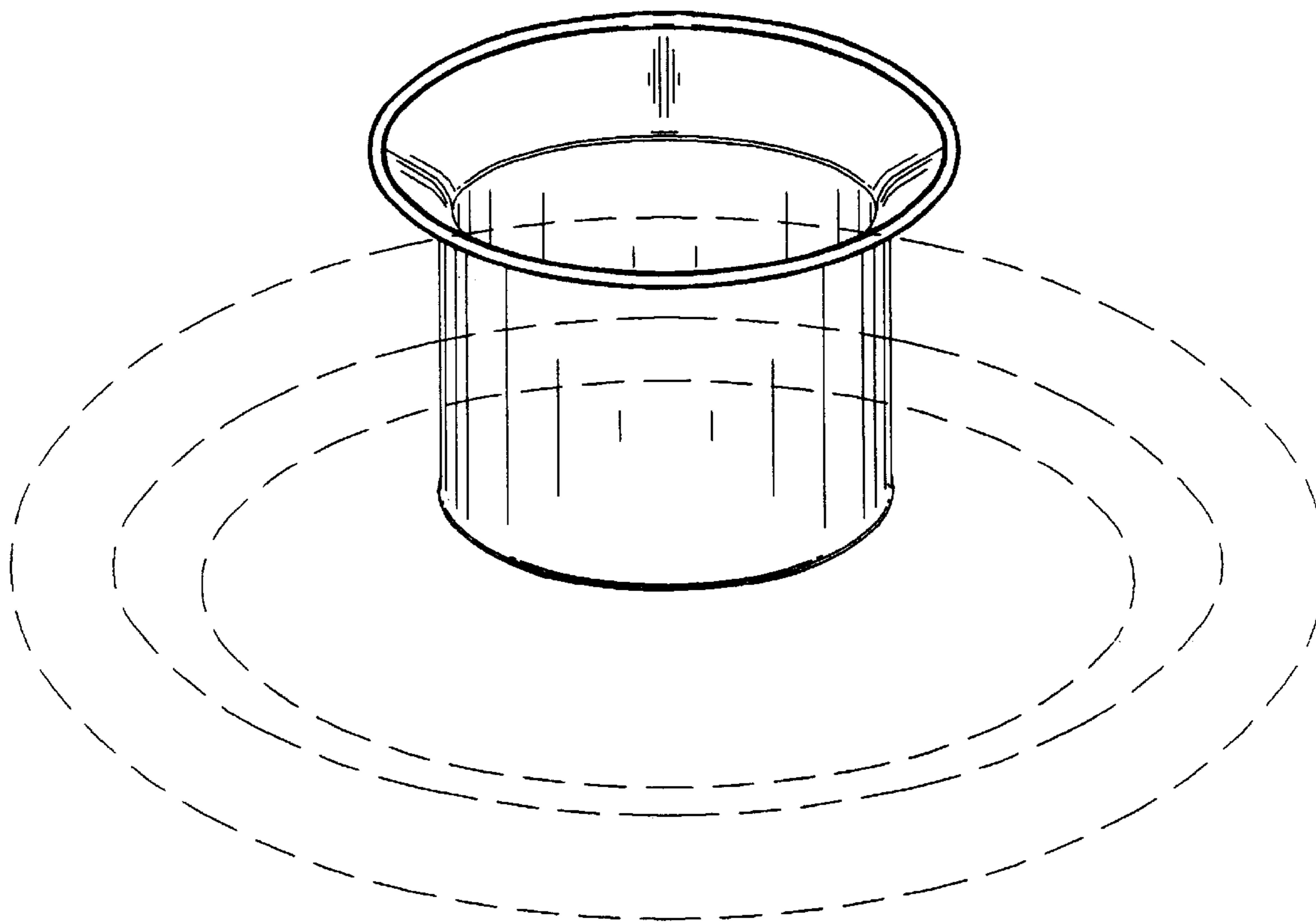
FIG. 1 is a top perspective view of the food presenter with a plate shown in broken line to illustrate the food presenter's appearance in intended use;

FIG. 2 is a side view of the food presenter;

FIG. 3 is a top view of the food presenter; and,

FIG. 4 is a bottom view of the food presenter.

1 Claim, 2 Drawing Sheets



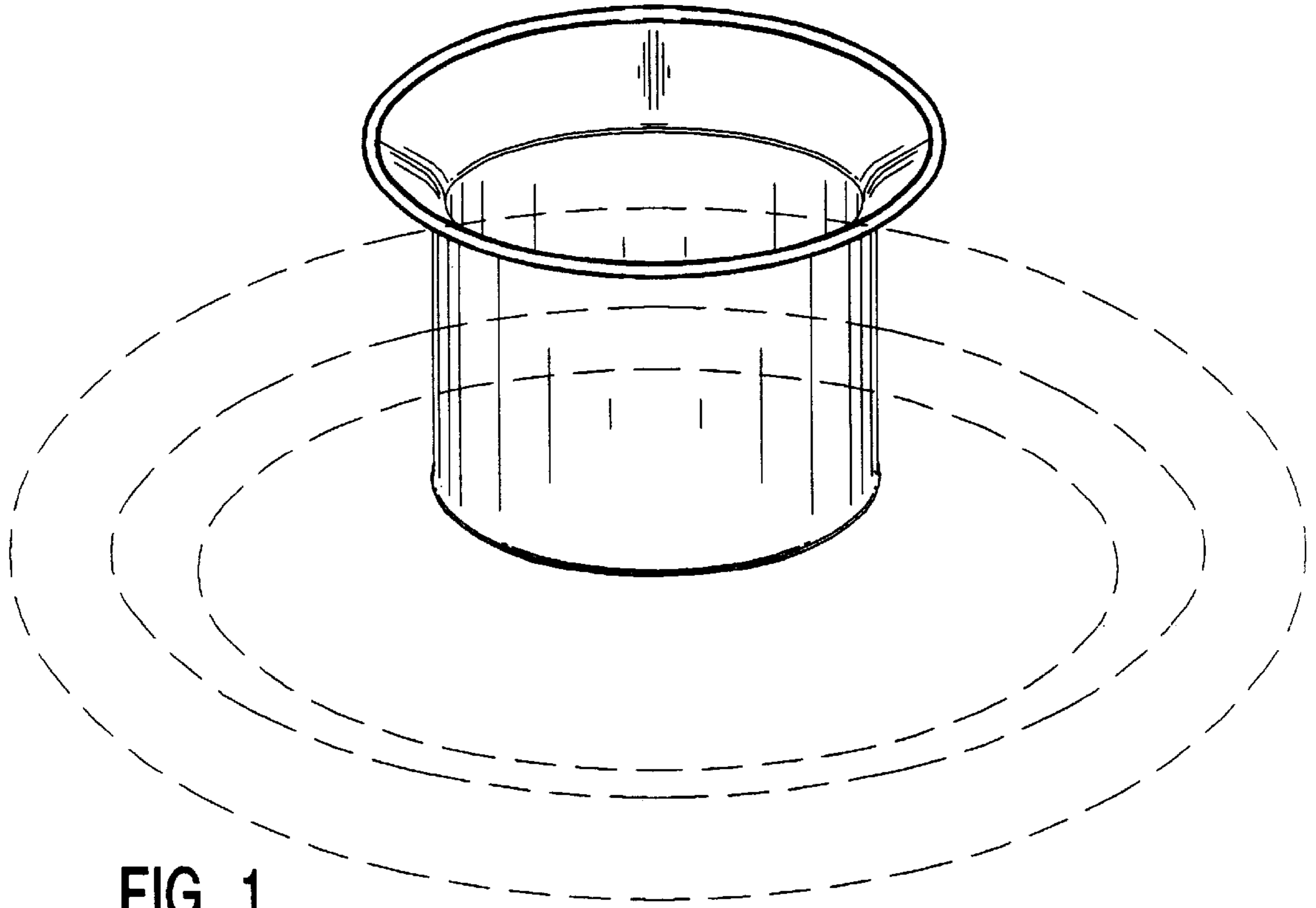


FIG. 1

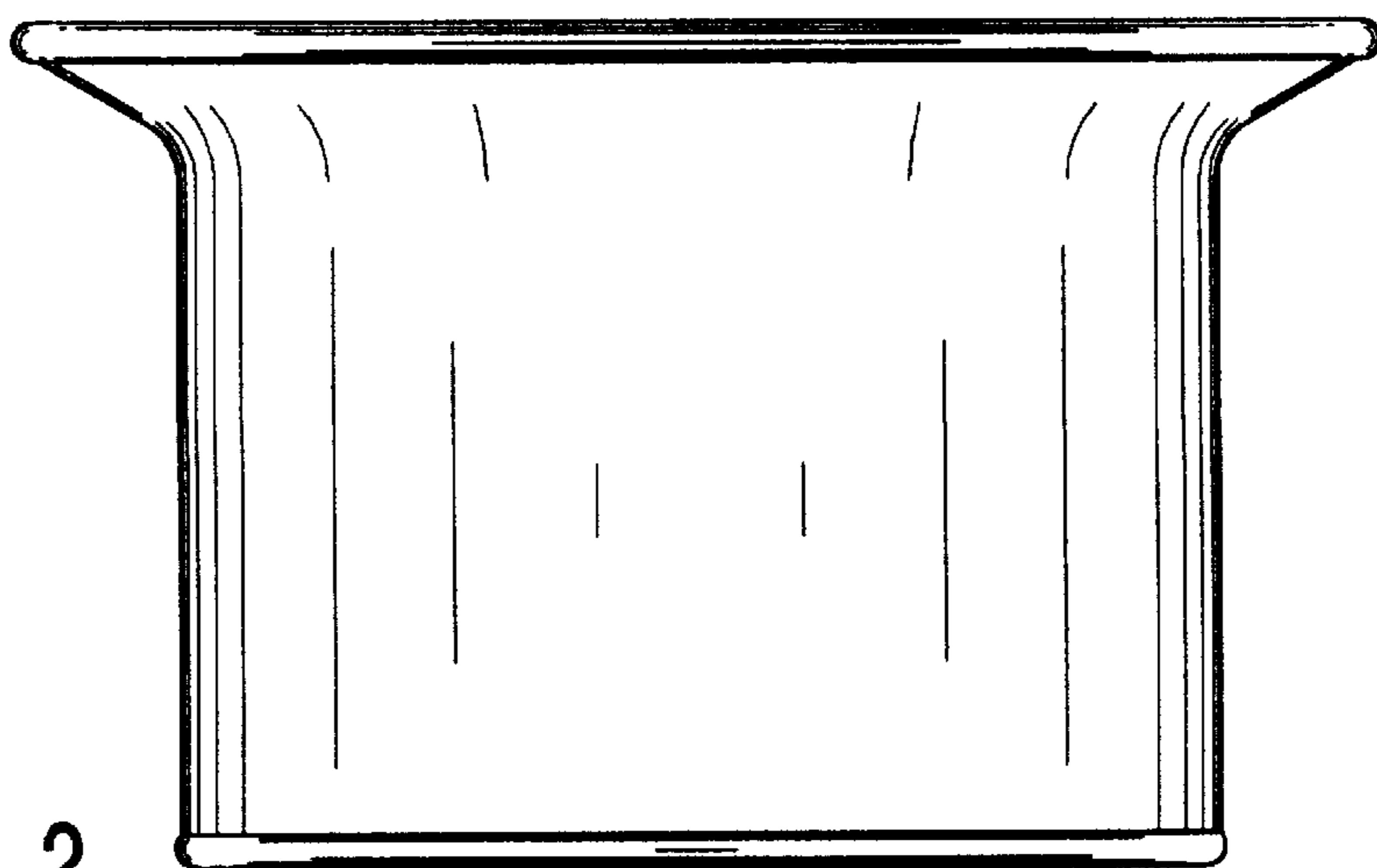


FIG. 2

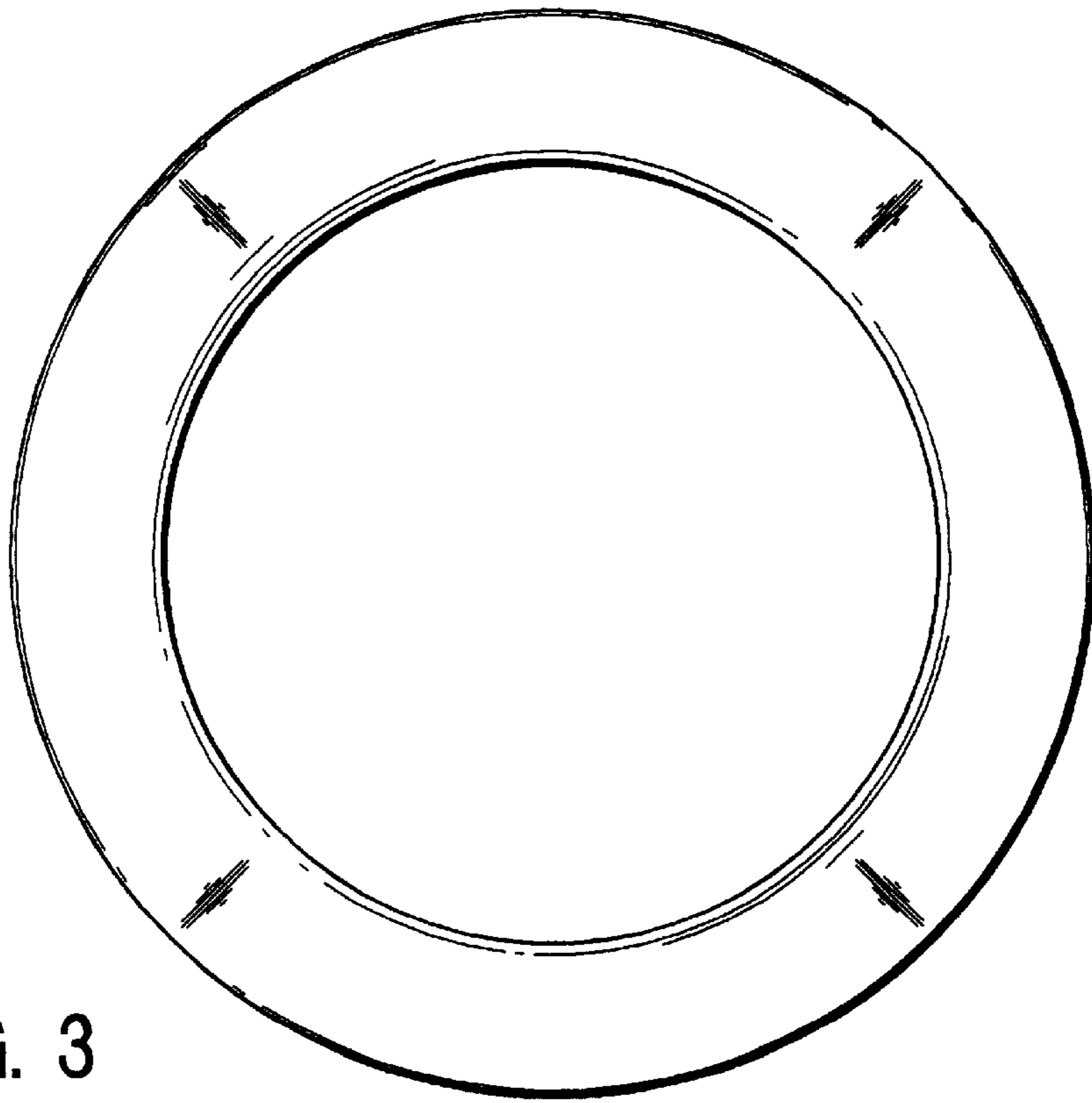


FIG. 3

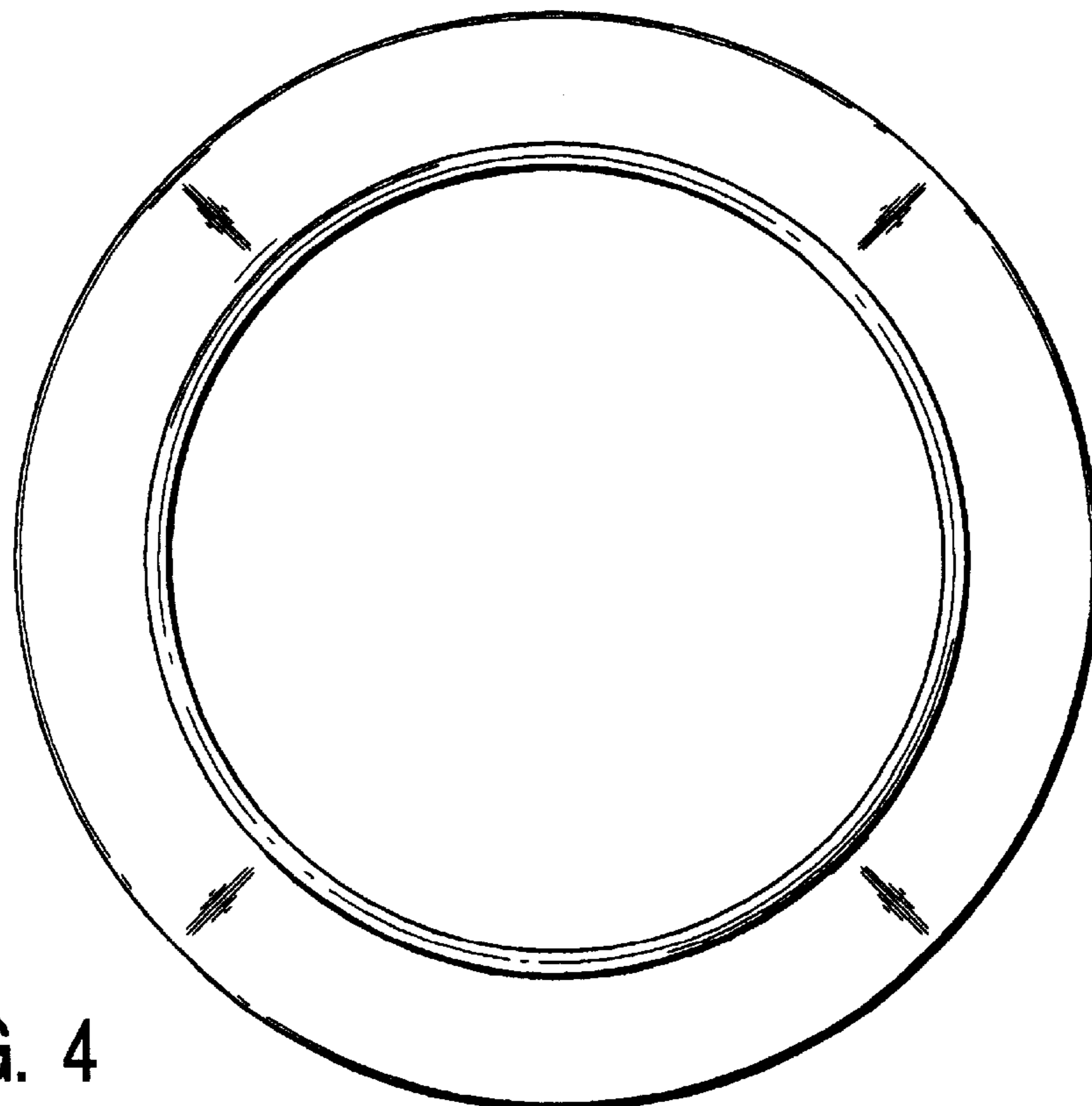


FIG. 4