



US00D428768S

United States Patent [19] Betras

[11] Patent Number: Des. 428,768

[45] Date of Patent: ** Aug. 1, 2000

[54] **DOUBLE CHAMBERED CONTAINER**

[75] Inventor: **Joe Betras**, Spartanburg, S.C.

[73] Assignee: **Betras Plastics, Inc.**, Spartanburg, S.C.

[**] Term: **14 Years**

[21] Appl. No.: **29/115,489**

[22] Filed: **Dec. 15, 1999**

[51] **LOC (7) Cl.** **07-01**

[52] **U.S. Cl.** **D7/510; D7/511; D7/513**

[58] **Field of Search** D7/507, 501, 510,
D7/511, 513, 531, 532, 300.2, 617, 600,
605; 220/704, 717, 710, 714; 215/11.1,
229; 222/572

[56] **References Cited**

U.S. PATENT DOCUMENTS

D. 372,639	8/1996	Kristnik	D7/511
D. 377,293	1/1997	Husted	D7/510
D. 377,737	2/1997	Kristnik	D7/511
D. 399,392	10/1998	Husted	D7/511
D. 409,442	5/1999	Kilpatrick et al.	D7/513
D. 417,589	12/1999	Parker	D7/510
D. 420,254	2/2000	Park	D7/510

OTHER PUBLICATIONS

Twin-Cup, Sewon International, Inc.

Primary Examiner—M. N. Pandozzi

Attorney, Agent, or Firm—Dority & Manning, P.A.

[57] **CLAIM**

The ornamental design for a double chambered container, as shown and described.

DESCRIPTION

FIG. 1 is a perspective view of the doubled chambered container according to the present invention.

FIG. 2 is a top view of the double chambered container as illustrated in FIG. 1.

FIG. 3 is a side view of the double chambered container as illustrated in FIG. 1.

FIG. 4 is another side view of the double chambered container as illustrated in FIG. 1.

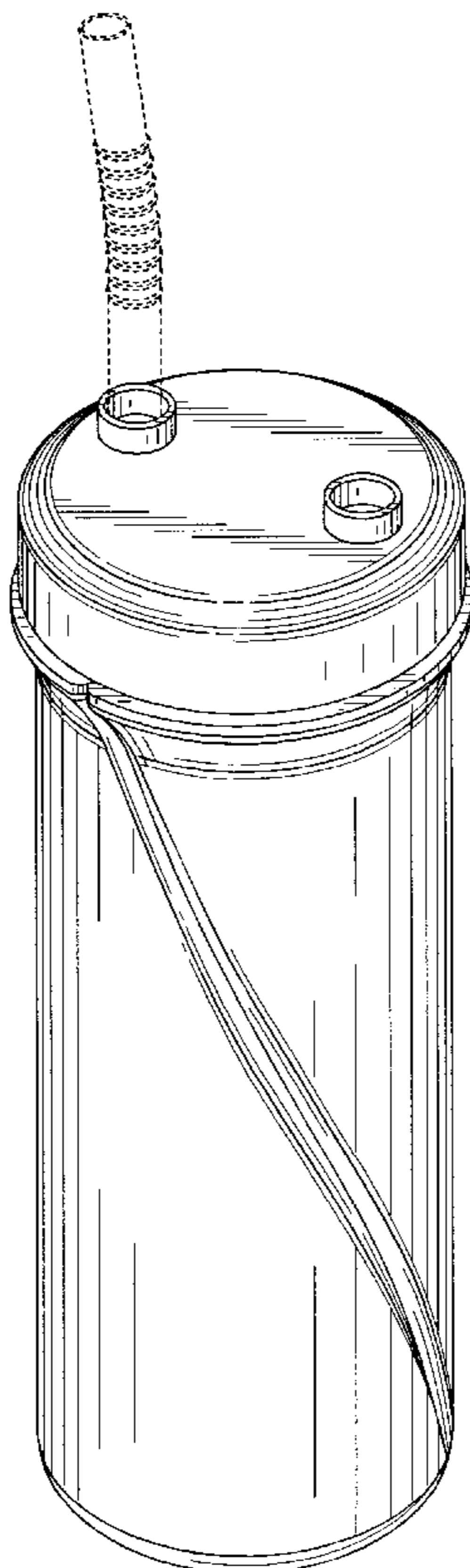
FIG. 5 is a bottom view of the double chambered container as illustrated in FIG. 1.

FIG. 6 is another side view of the double chambered container as illustrated in FIG. 1; and,

FIG. 7 is another side view of the doubled chambered container as illustrated in FIG. 1.

The broken line showing of a straw in FIG. 1 is for illustrative purposes only and forms no part of the claimed design.

1 Claim, 4 Drawing Sheets



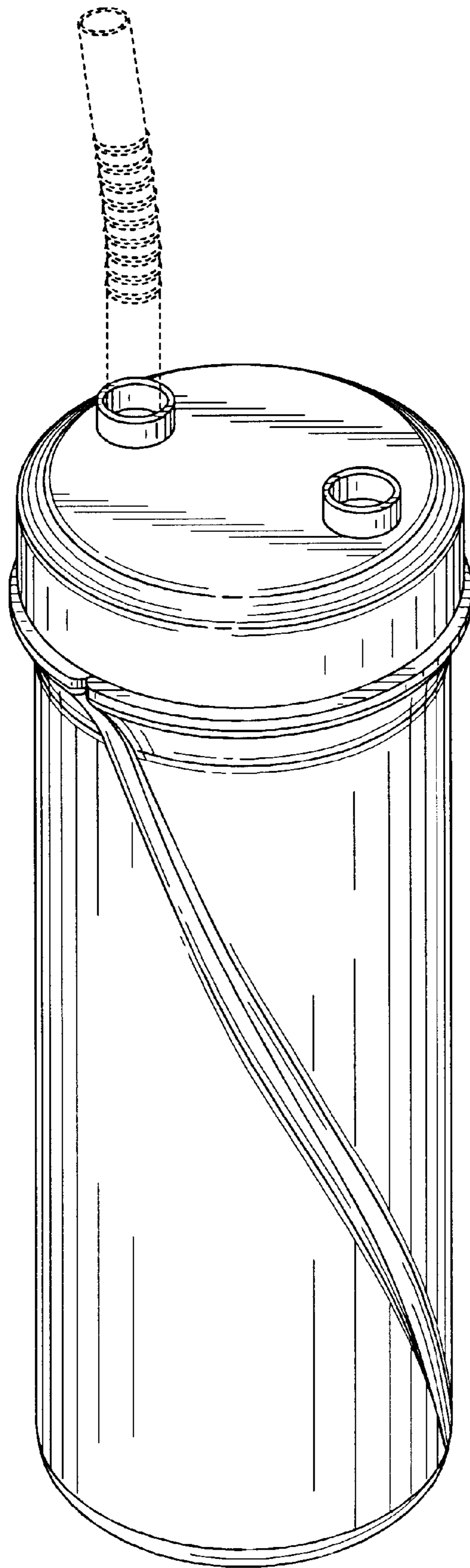


FIG. 1.

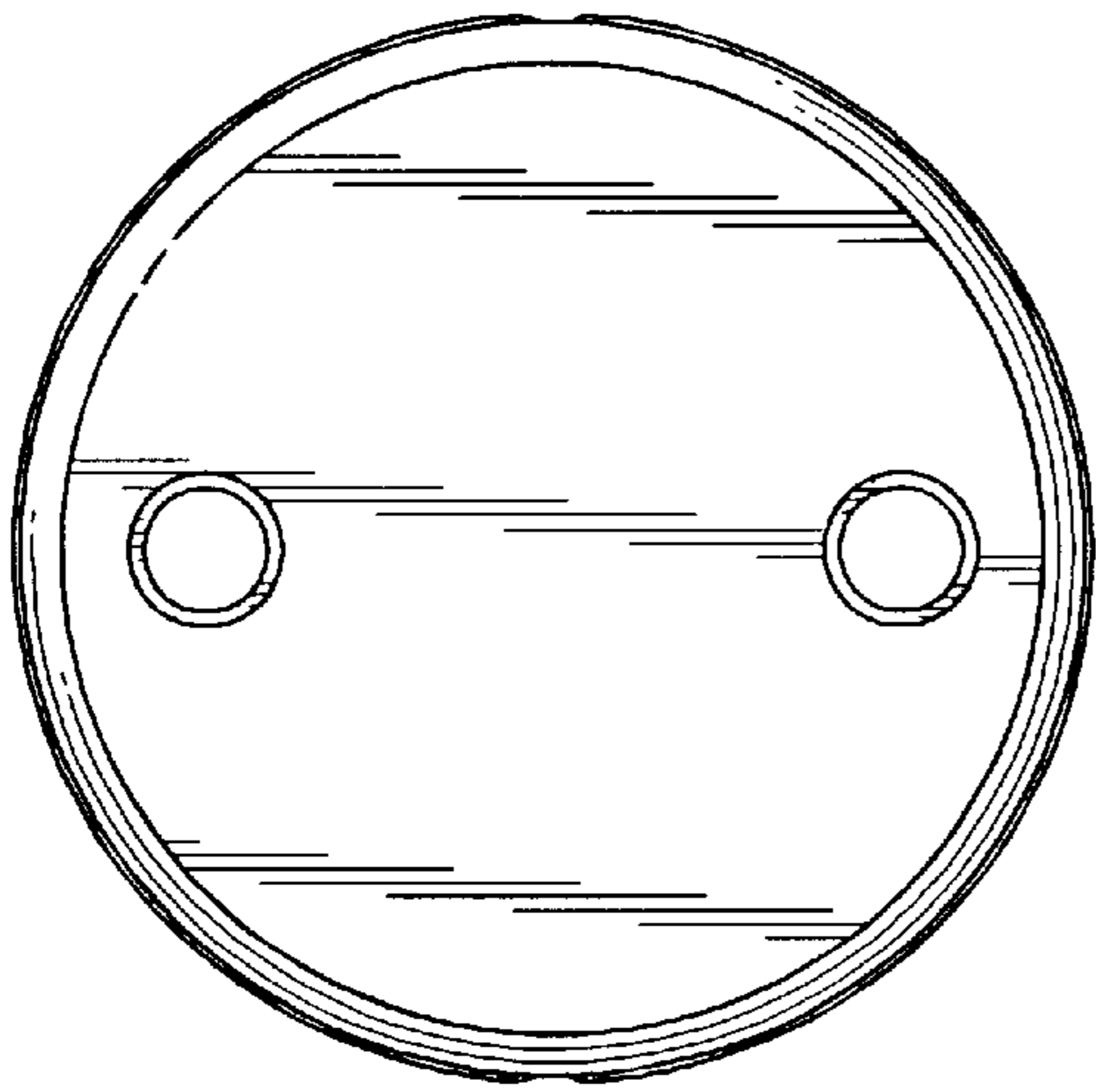


FIG. 2.

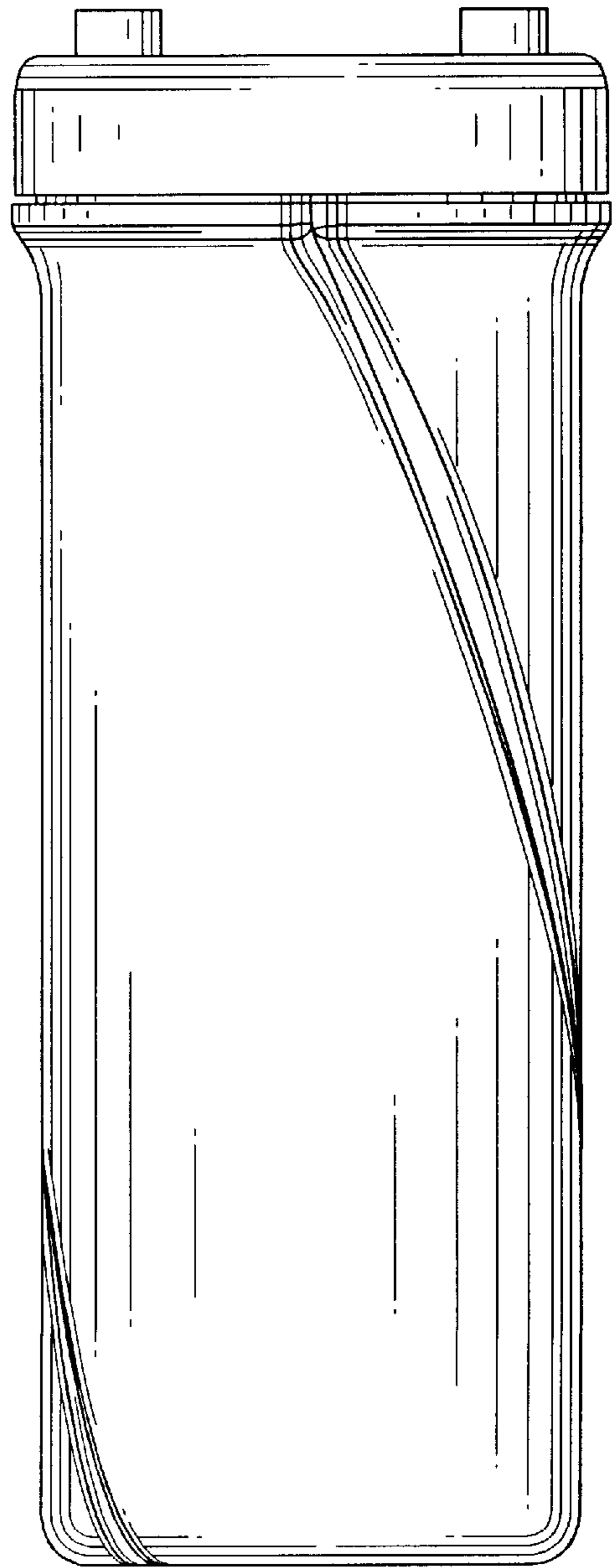


FIG. 3.

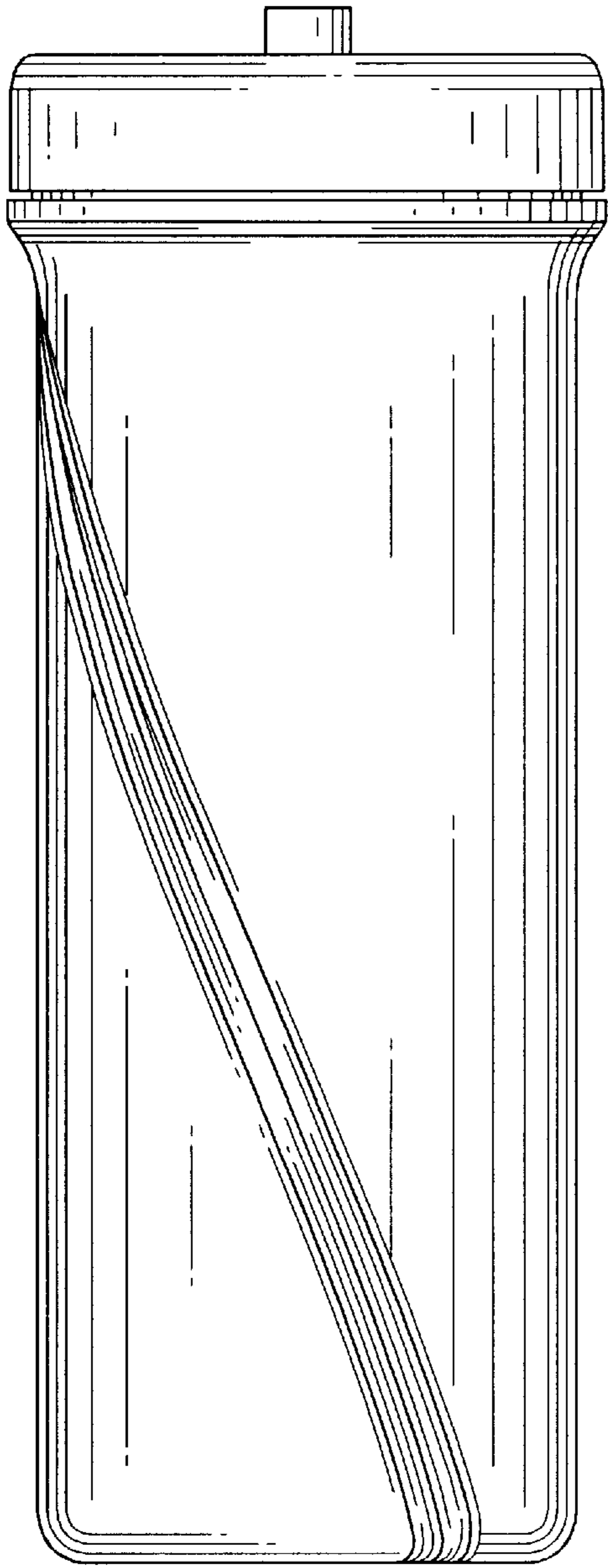


FIG. 4.

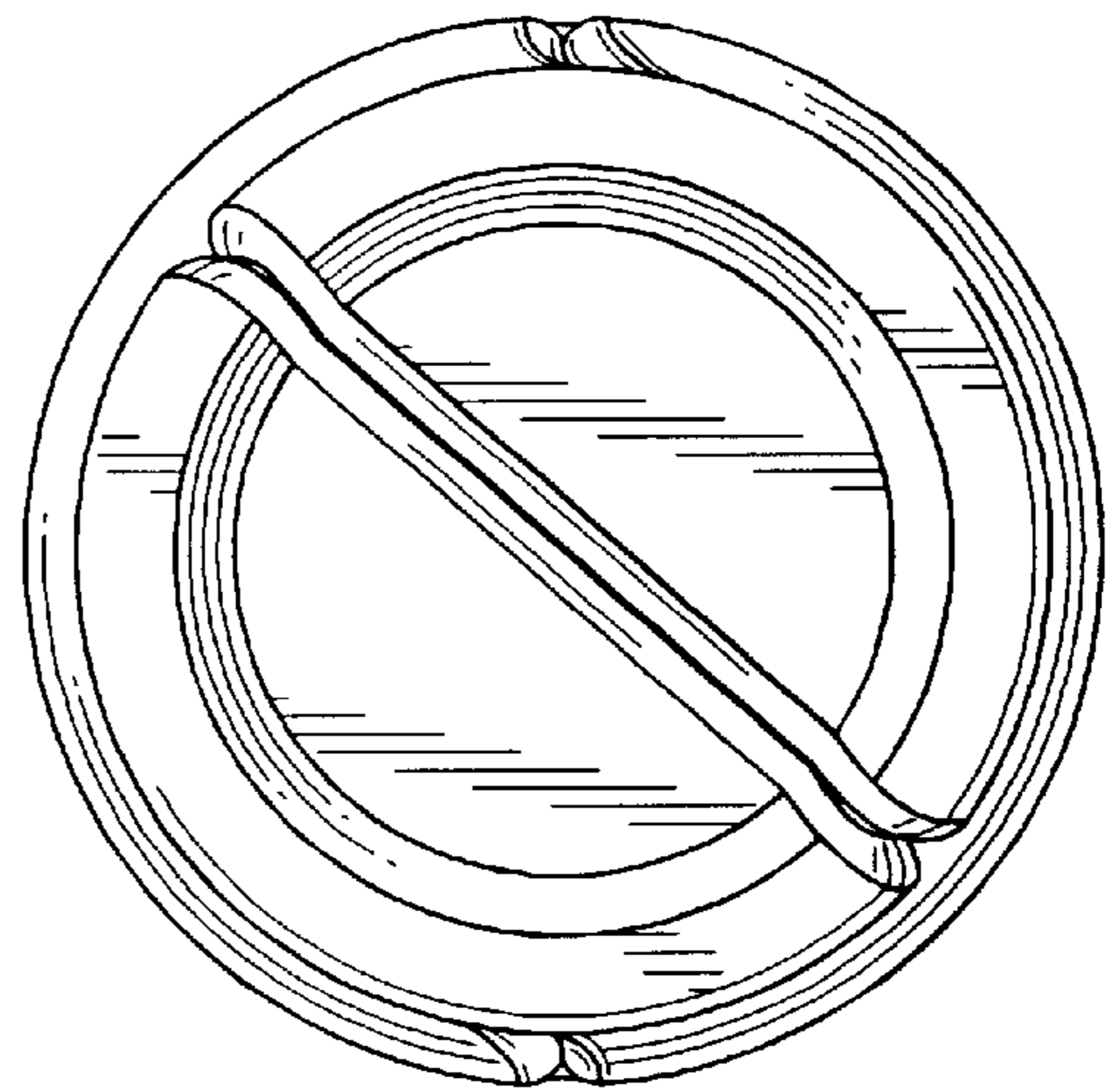


FIG. 5.

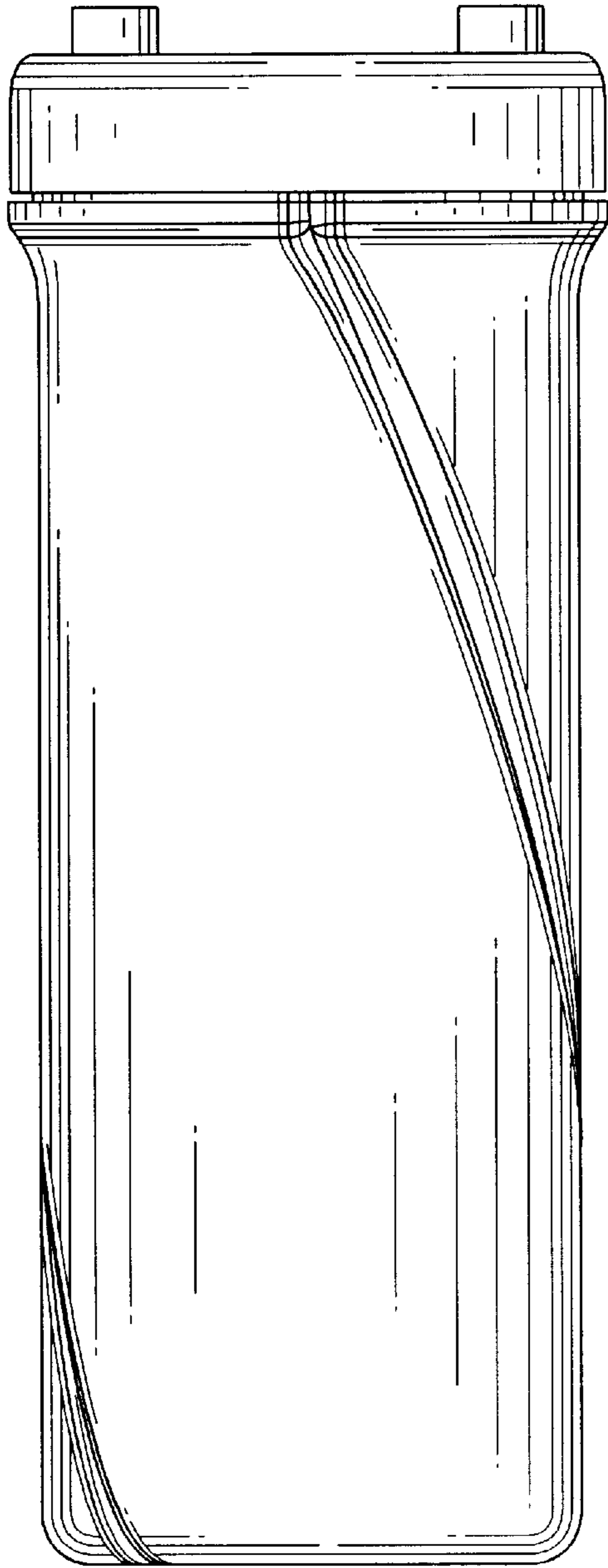


FIG. 6.

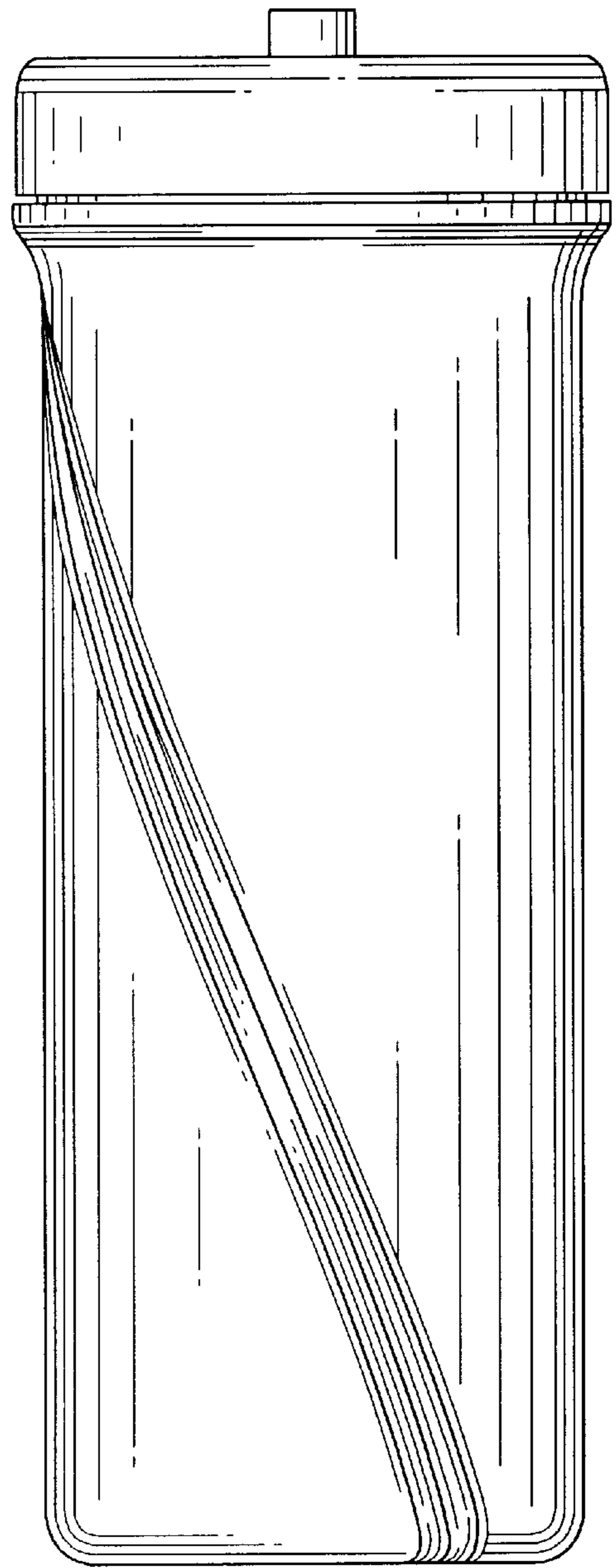


FIG. 7.