



US00D428765S

# United States Patent [19] Hughes

[11] Patent Number: **Des. 428,765**

[45] Date of Patent: **\*\* Aug. 1, 2000**

[54] SANDWICH-HOLDER

[75] Inventor: **Sean Patrick Hughes**, Hong Kong, China

[73] Assignee: **U.S. Philips Corporation**, New York, N.Y.

[\*\*] Term: **14 Years**

[21] Appl. No.: **29/108,327**

[22] Filed: **Jul. 23, 1999**

[30] **Foreign Application Priority Data**

Feb. 18, 1999 [XH] Hague Agreement ..... DMA/004-402

[51] LOC (7) Cl. .... **07-02**

[52] U.S. Cl. .... **D7/411**

[58] Field of Search ..... D7/323, 328-331, D7/350, 354, 390, 411; 99/324, 325, 341, 372, 375, 376, 385, 389, 400, 402, 426, 444, 450

[56] **References Cited**

**U.S. PATENT DOCUMENTS**

D. 203,371 12/1965 Keller ..... D7/411

D. 216,347	12/1969	Domshy	.....	D7/411
D. 384,858	10/1997	Kurz	.....	D7/390
1,733,137	10/1929	Spang	.....	99/402 X
2,849,947	9/1958	Bork	.....	99/402
2,941,463	6/1960	Di Cuia	.....	99/402 X
2,962,957	12/1960	Bork	.....	99/402
3,094,061	6/1963	Cole	.....	99/402
4,184,419	1/1980	Ponte	.....	99/402

*Primary Examiner*—Caron D. Veynar  
*Attorney, Agent, or Firm*—Ernestine C. Bartlett

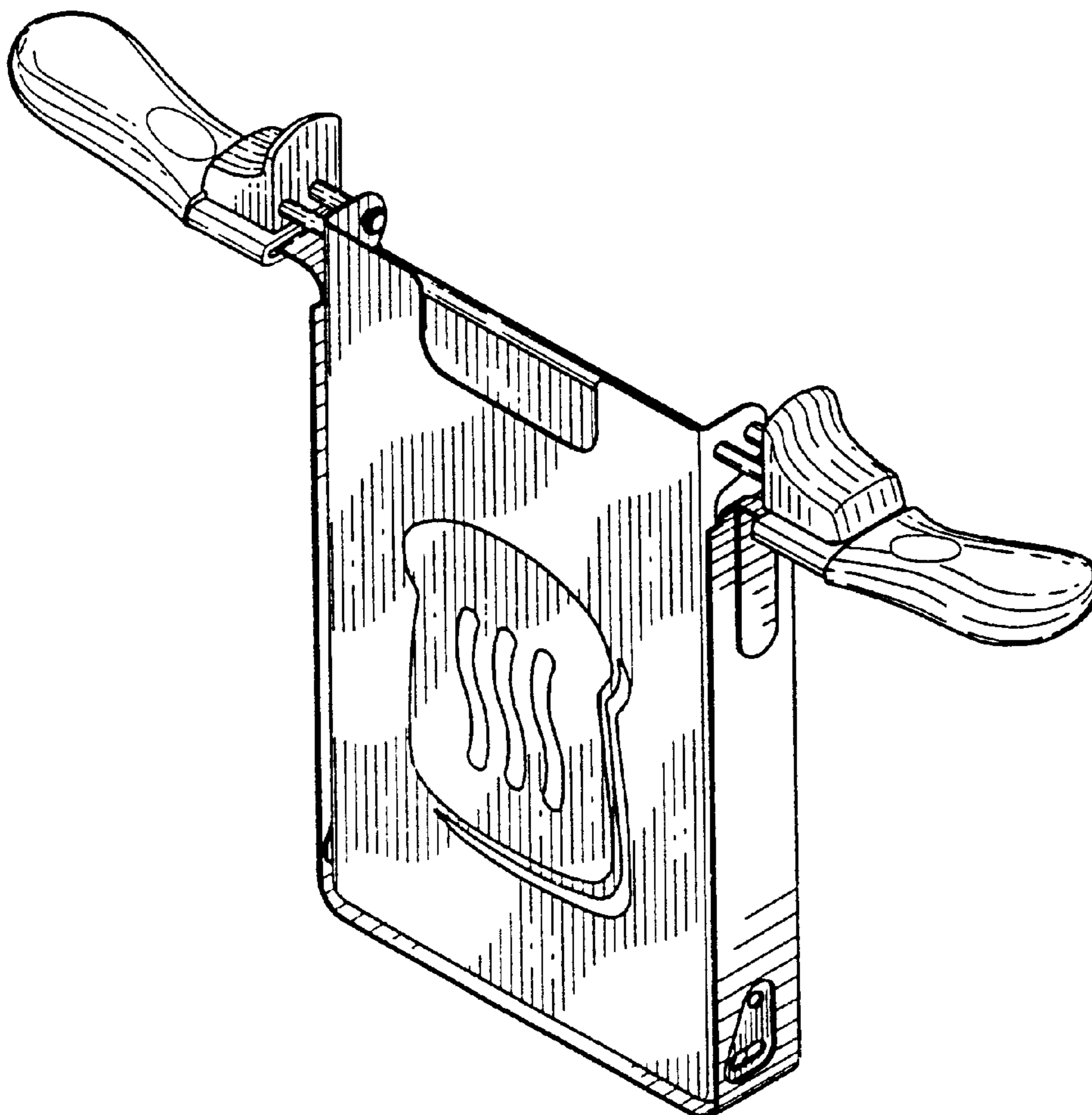
[57] **CLAIM**

The ornamental design for a sandwich-holder, as shown.

**DESCRIPTION**

FIG. 1 is a perspective view showing my design;  
FIG. 2 is a front elevational view thereof;  
FIG. 3 is a rear elevational view thereof;  
FIG. 4 is a right side elevational view thereof;  
FIG. 5 is a left side elevational view thereof;  
FIG. 6 is a top plan view thereof; and,  
FIG. 7 is a bottom plan view thereof.

**1 Claim, 3 Drawing Sheets**



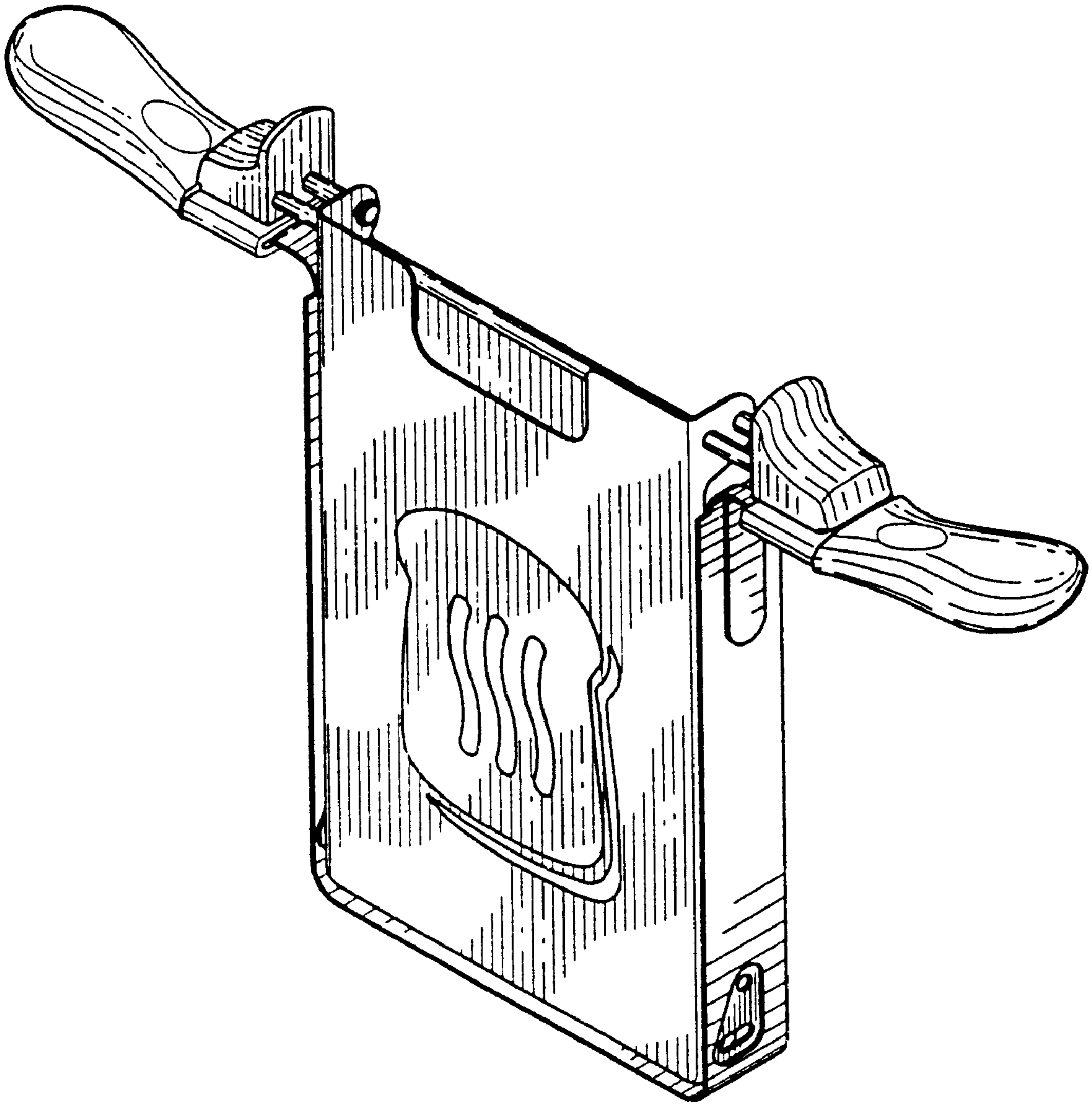


FIG. 1

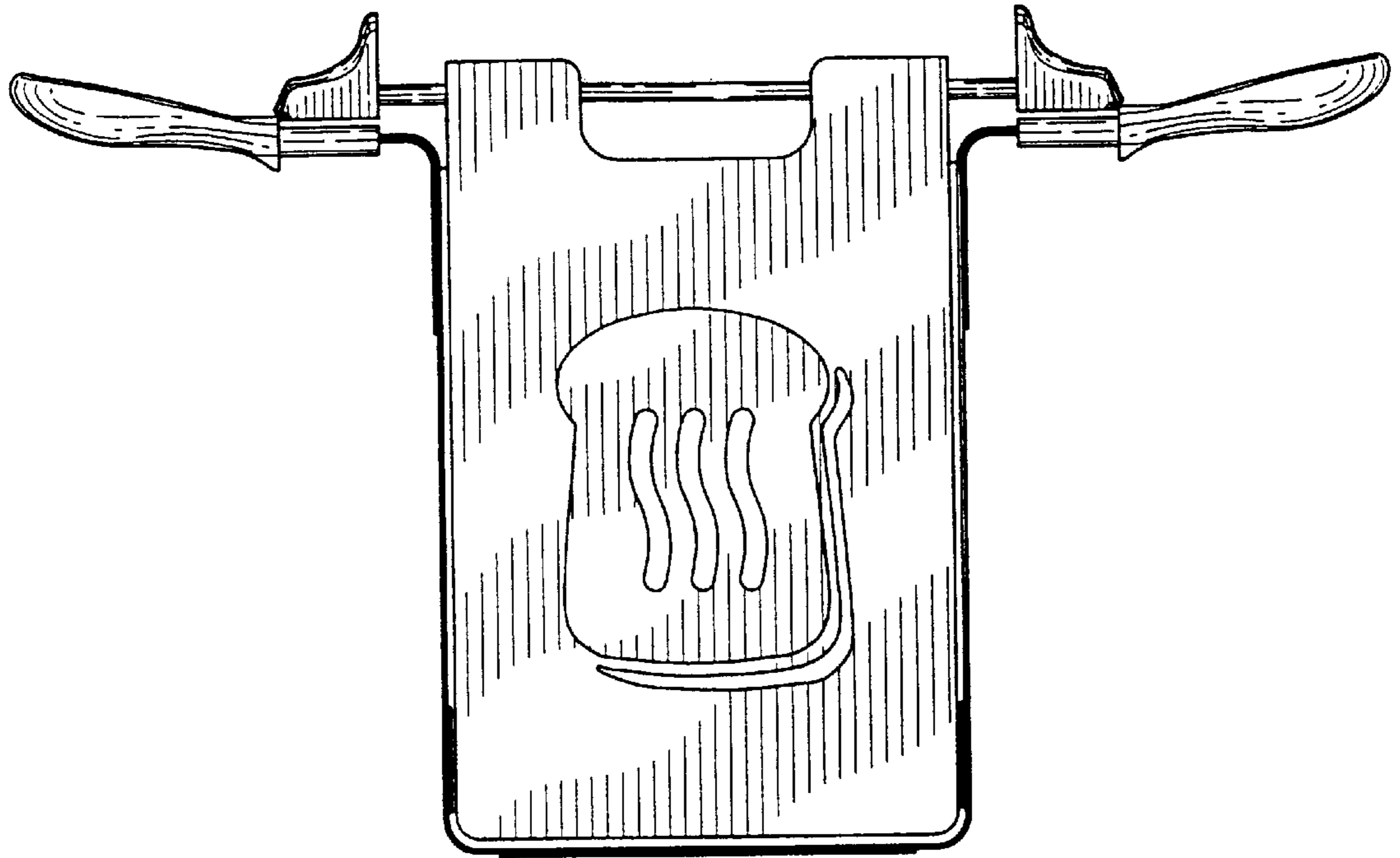


FIG. 2

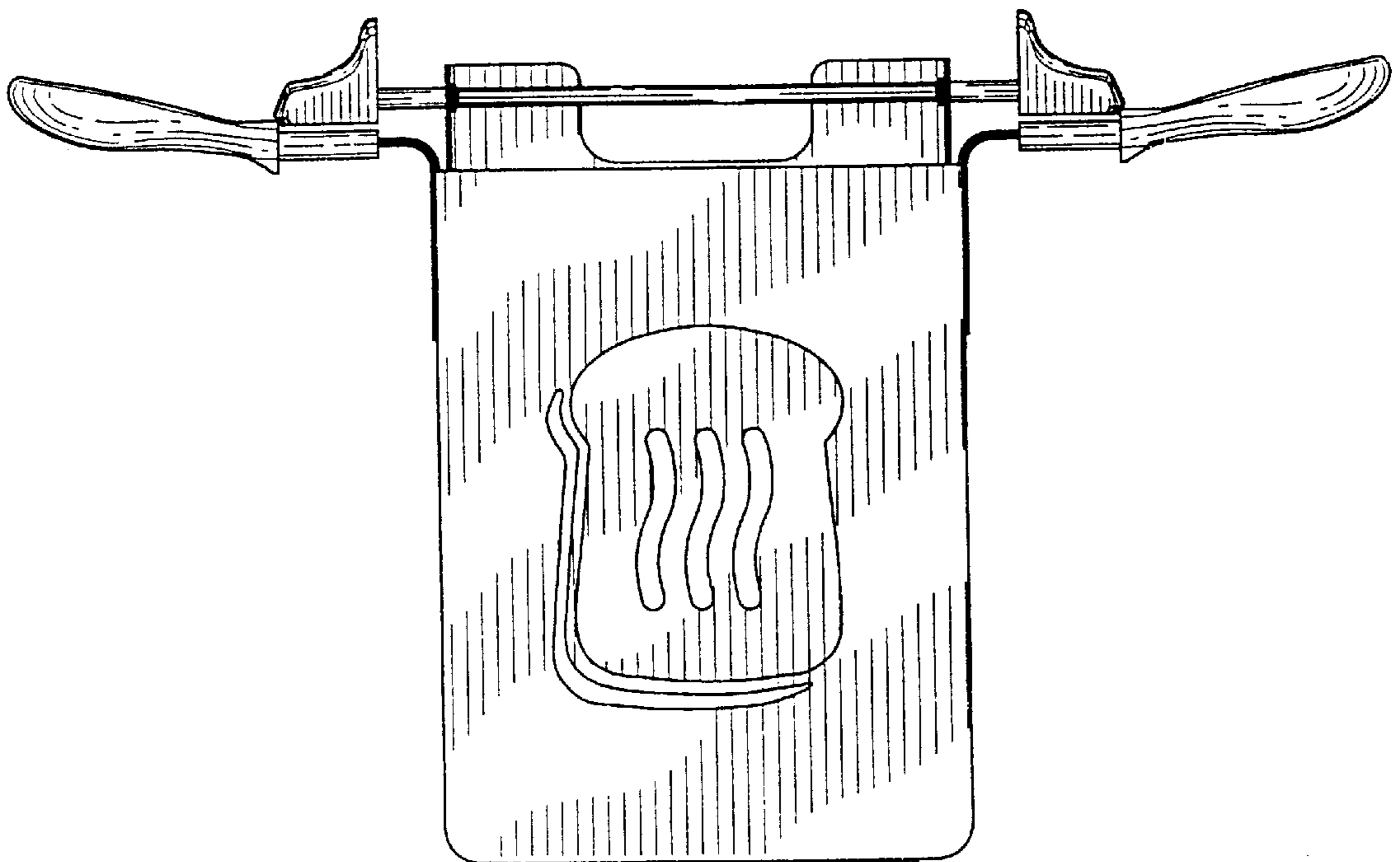


FIG. 3



FIG.4

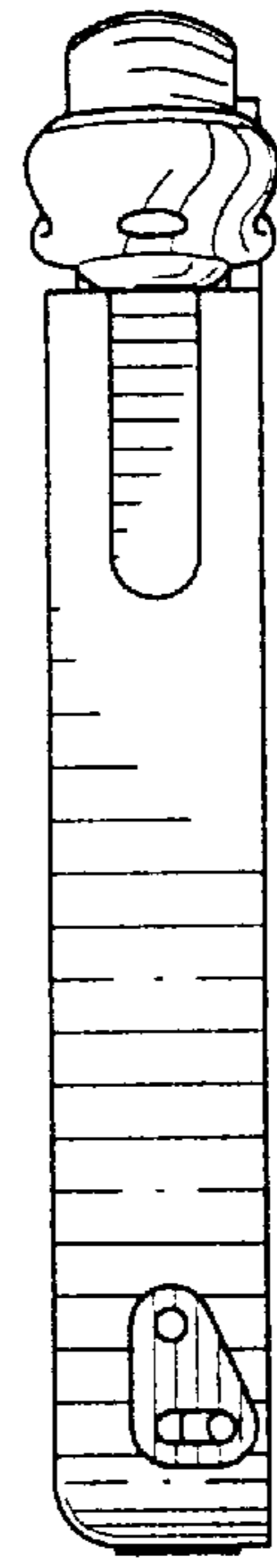


FIG.5

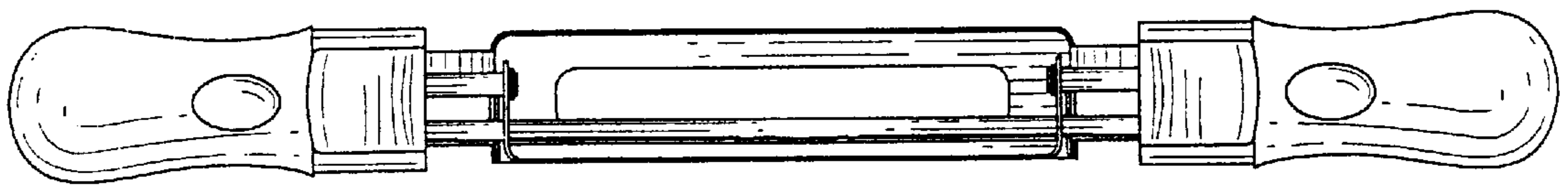


FIG.6

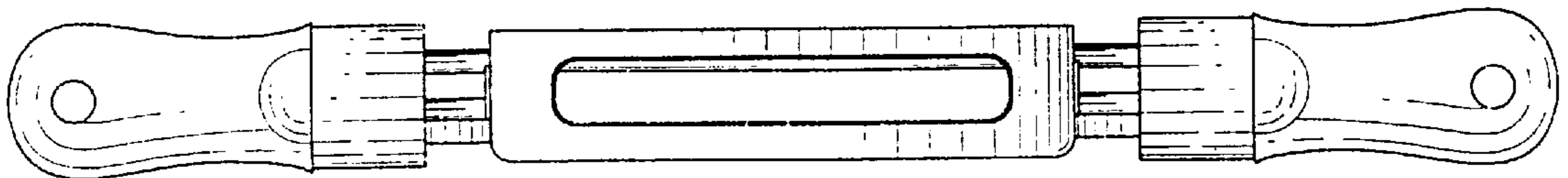


FIG.7