



US00D428762S

United States Patent [19]
Varakian

[11] **Patent Number: Des. 428,762**

[45] **Date of Patent: ** Aug. 1, 2000**

[54] **REVERSIBLE BAKING TIN**

[75] Inventor: **Robert A. Varakian**, Pine Brook, N.J.

[73] Assignee: **B. Via International Housewares, Inc.**,
Franklin Park, Ill.

[**] Term: **14 Years**

[21] Appl. No.: **29/084,479**

[22] Filed: **Mar. 4, 1998**

[51] **LOC (7) Cl.** **07-02**

[52] **U.S. Cl.** **D7/357; D7/409**

[58] **Field of Search** D7/323, 354, 357,
D7/359, 409, 550.1, 552.2, 553.1-553.4,
554.3; 99/324, 422, 426; 206/557, 564,
459.5; 220/573.1, 574, 500, 912

[56] **References Cited**

U.S. PATENT DOCUMENTS

D. 64,912	6/1924	McCorkell	D7/553.5
D. 241,106	8/1976	Krieger et al.	D7/551.1
D. 251,176	2/1979	Lewis	D7/359
D. 257,116	9/1980	Lakatos et al.	D7/357
D. 268,981	5/1983	Monson	D7/359
D. 289,488	4/1987	Gyebnar	D7/391
D. 292,357	10/1987	Narain	D7/554.3
D. 346,528	5/1994	Crawford et al.	D7/357
D. 361,514	8/1995	Krupa et al.	D9/456

D. 369,508	5/1996	Jones et al.	D7/357
D. 384,778	10/1997	Powers et al.	D7/550 X
462,929	11/1891	Long	126/369
2,198,647	4/1940	Wolcott	99/340
3,442,378	5/1969	Wolfe	206/459.5
3,831,507	8/1974	Wheaton	99/428
4,011,431	3/1977	Levin	219/524

Primary Examiner—Caron D. Veynar
Attorney, Agent, or Firm—Wolf, Greenfield & Sacks, P.C.

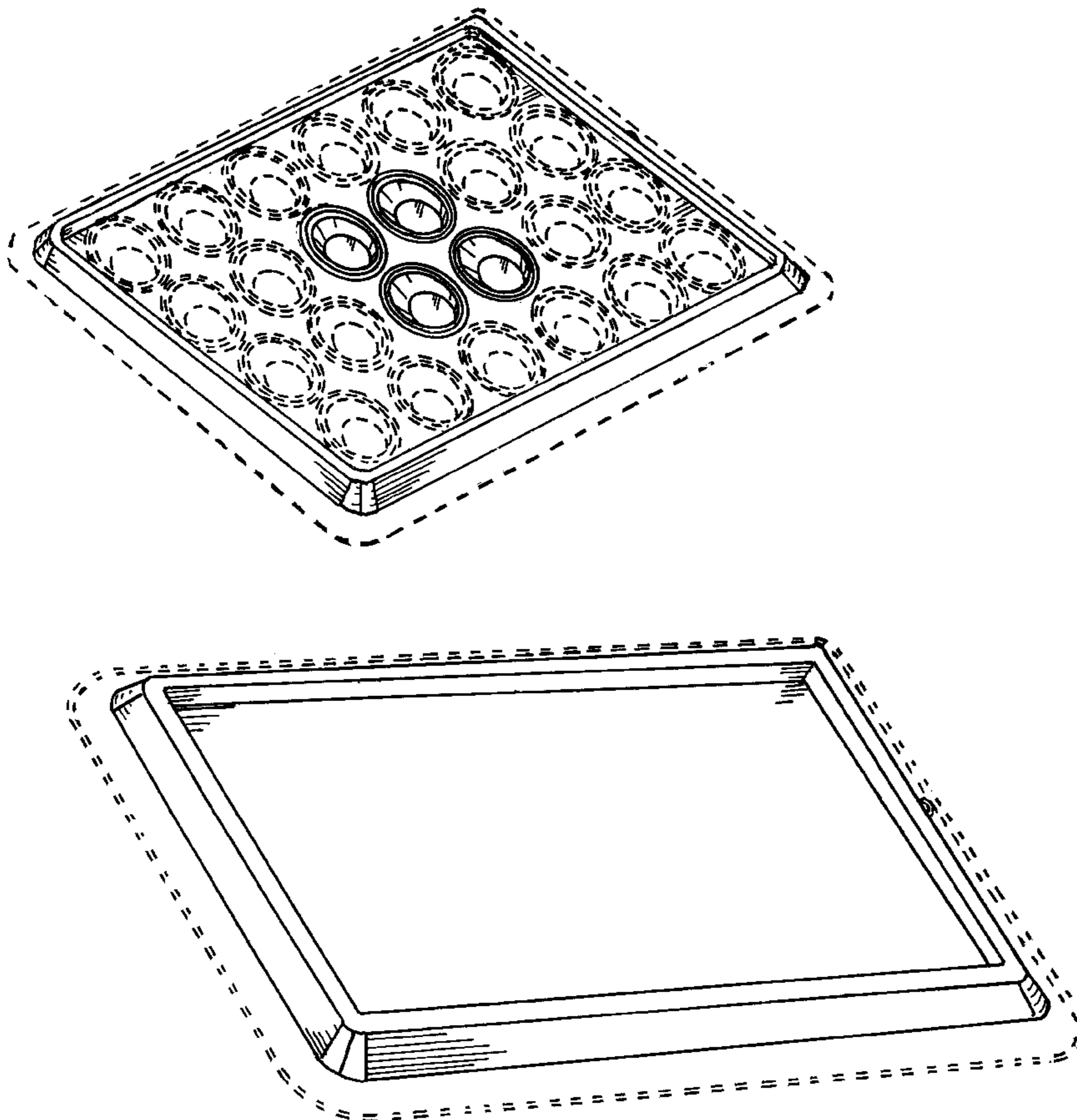
[57] **CLAIM**

The ornamental design for a reversible baking tin, as shown and described.

DESCRIPTION

FIG. 1 is a side, top, perspective view of the reversible baking tin;
FIG. 2 is a top view thereof;
FIG. 3 is a front view thereof, the rear view being a mirror image of the front view;
FIG. 4 is a left side view thereof, the right side view being a mirror image of the left side view;
FIG. 5 is a bottom view thereof; and,
FIG. 6 is a side, bottom, perspective view thereof.
The broken line showing of a handle edge and muffin cups in FIGS. 1-6 are for illustrative purposes only and form no part of the claimed design.

1 Claim, 3 Drawing Sheets



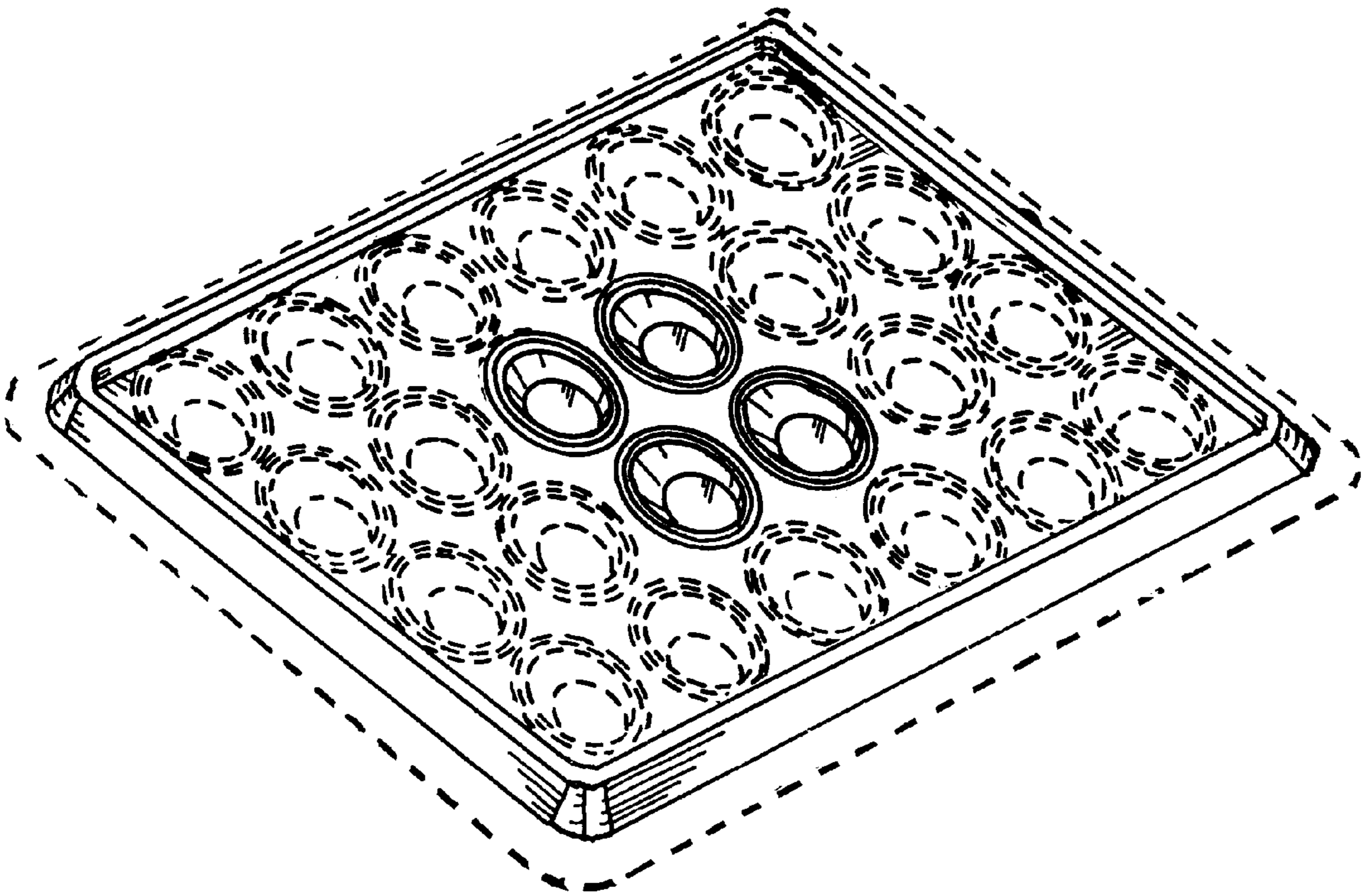


Fig. 1

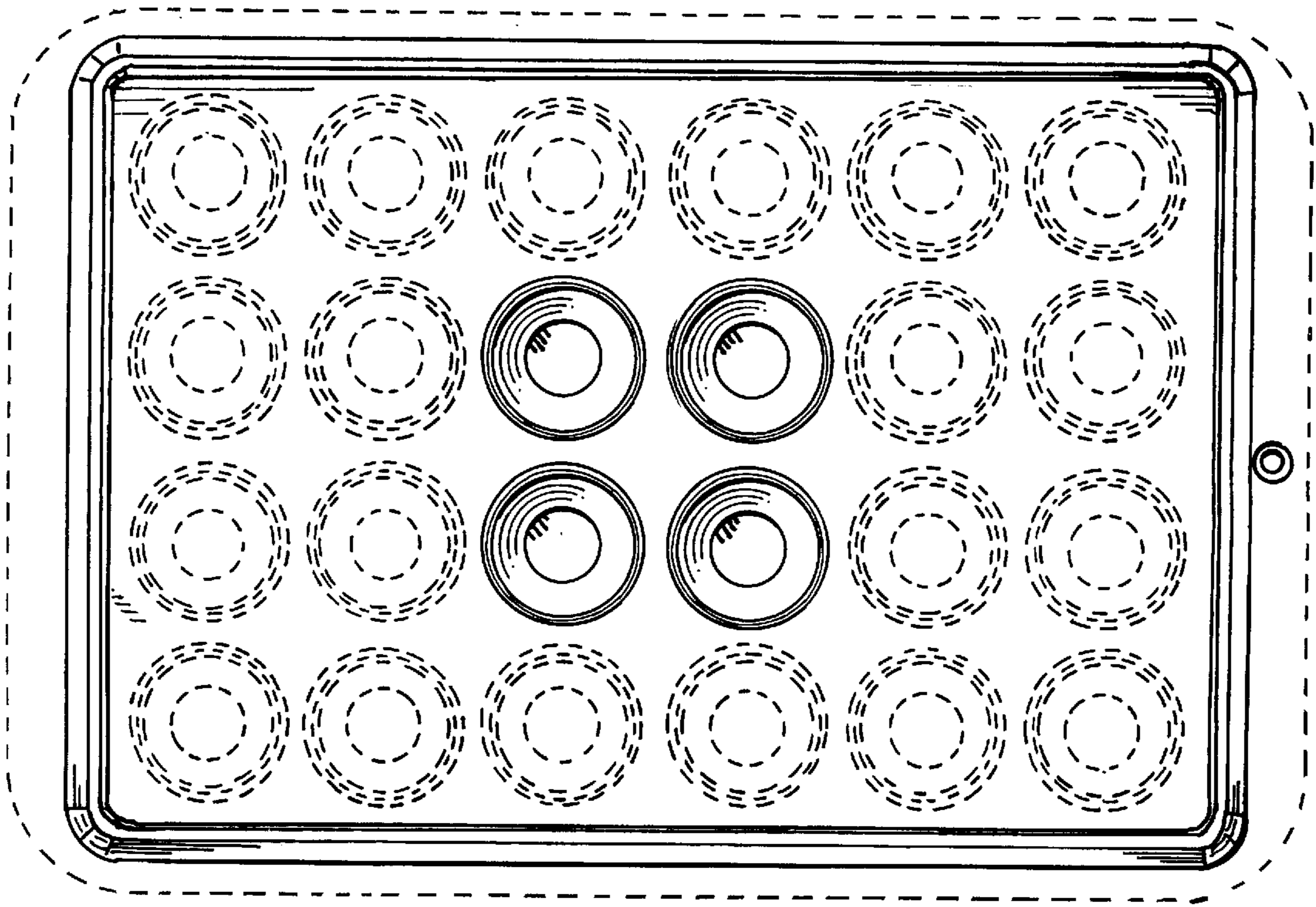


Fig. 2

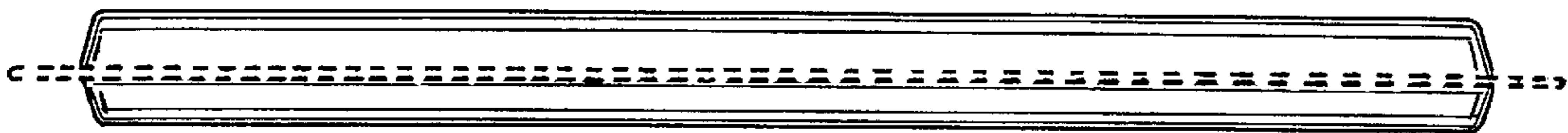


Fig. 3

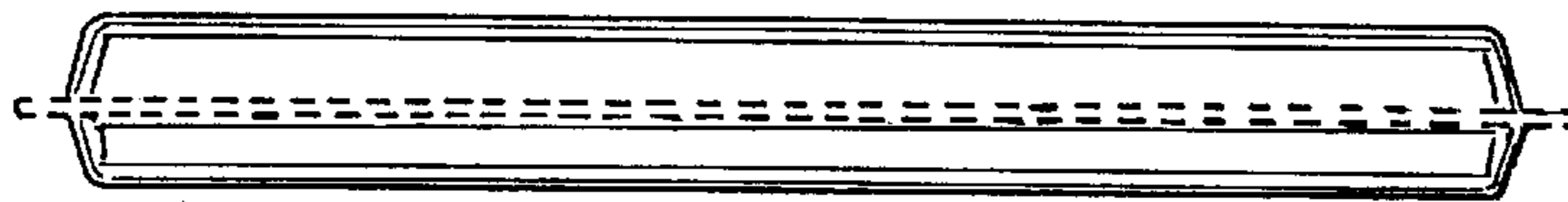


Fig. 4

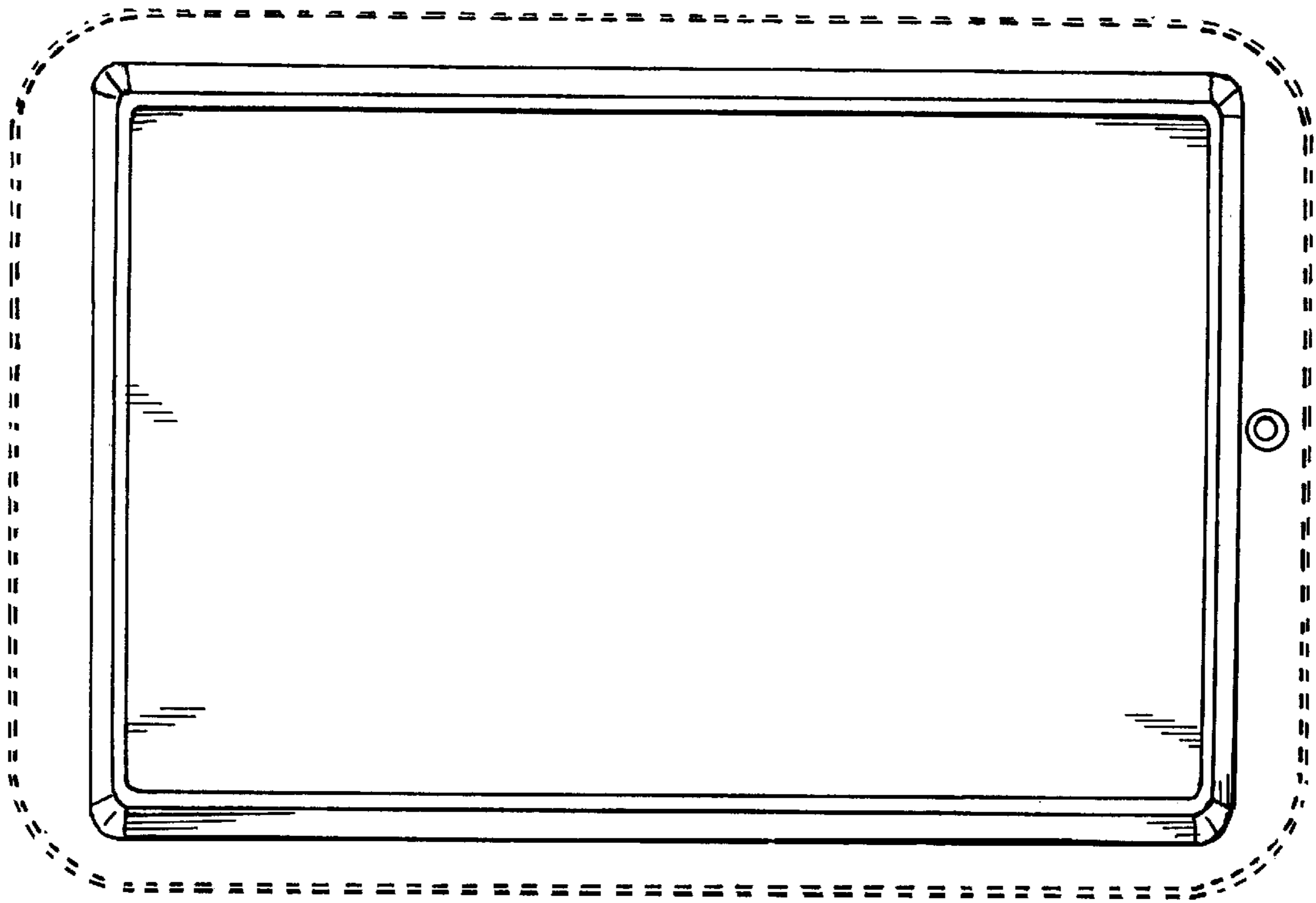


Fig. 5

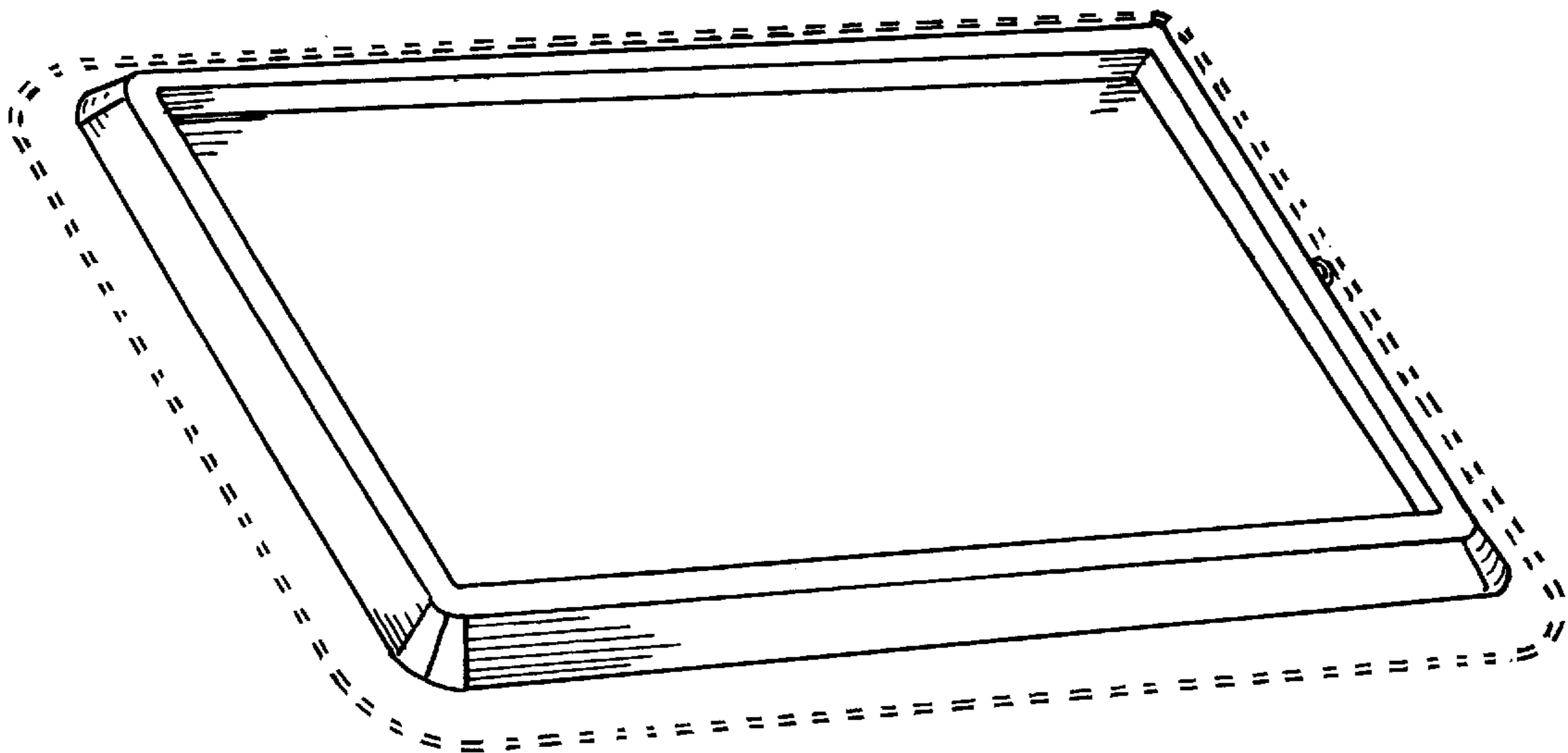


Fig. 6