



US00D428758S

# United States Patent [19]

Santiago et al.

[11] Patent Number: **Des. 428,758**

[45] Date of Patent: **\*\* Aug. 1, 2000**

[54] **TEA KETTLE**

[75] Inventors: **Anthony Santiago**, Peekskill; **Bruce E. Ancona**, New York, both of N.Y.

[73] Assignee: **B. Via International Housewares, Inc.**, Franklin Park, Ill.

[\*\*] Term: **14 Years**

[21] Appl. No.: **29/104,658**

[22] Filed: **May 10, 1999**

[51] **LOC (7) Cl.** ..... **07-01**

[52] **U.S. Cl.** ..... **D7/322; D7/321; D7/312**

[58] **Field of Search** ..... **D7/312, 313, 321, D7/322, 300; 222/472, 185.1; 220/318, 912**

[56] **References Cited**

**U.S. PATENT DOCUMENTS**

D. 360,101	7/1995	Lee	.....	D7/322
D. 362,150	9/1995	Ancona et al.	.....	D7/312
D. 362,152	9/1995	Ancona et al.	.....	D7/312
D. 362,989	10/1995	Ancona et al.	.....	D7/300
D. 362,991	10/1995	Blanc	.....	D7/312
D. 363,408	10/1995	Ancona et al.	.....	D7/300

D. 363,633	10/1995	Ancona et al.	.....	D7/300
D. 364,067	11/1995	Ancona et al.	.....	D7/312
D. 366,589	1/1996	Ancona	.....	D7/300
D. 379,898	6/1997	Ancona et al.	.....	D7/302
D. 395,788	7/1998	Holland	.....	D7/321

*Primary Examiner*—M. N. Pandozzi  
*Attorney, Agent, or Firm*—Wolf, Greenfield & Sacks, P.C.

[57] **CLAIM**

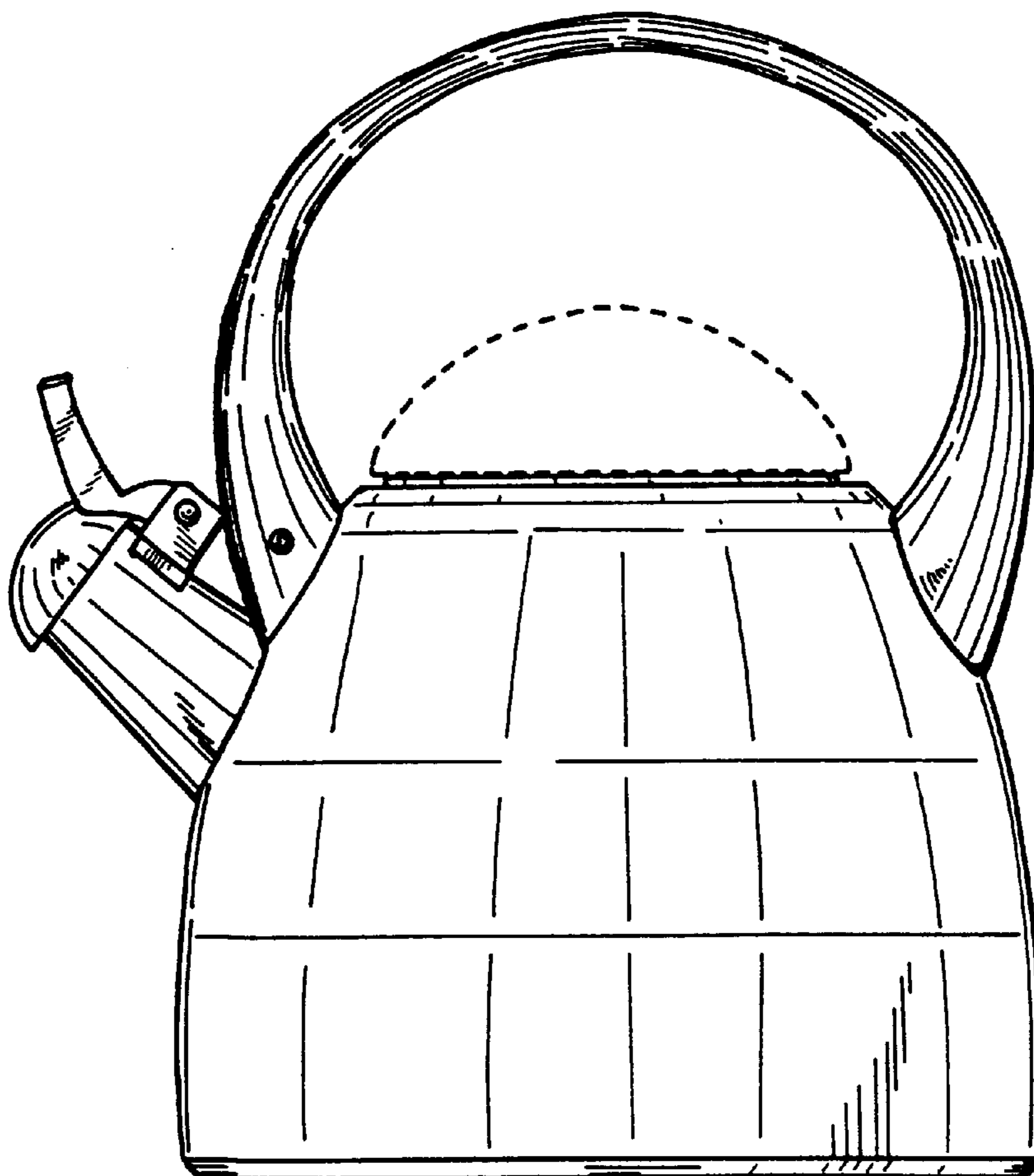
The ornamental design for a tea kettle, as shown and described.

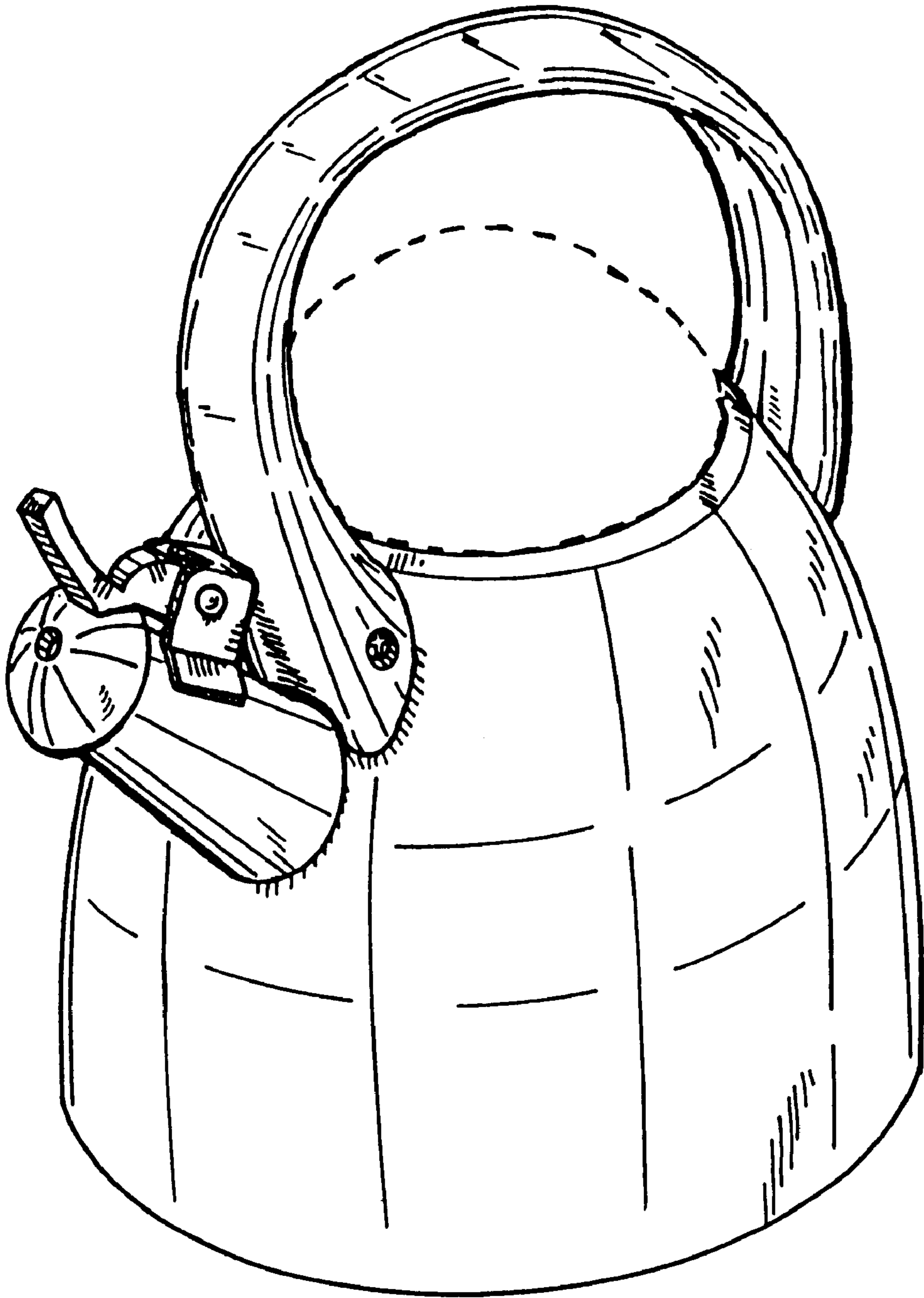
**DESCRIPTION**

FIG. 1 is a side top perspective view of a tea kettle showing our new design;  
FIG. 2 is a front view thereof;  
FIG. 3 is a rear view thereof;  
FIG. 4 is a right side view thereof;  
FIG. 5 is a left side view thereof;  
FIG. 6 is a top view thereof; and,  
FIG. 7 is a bottom view thereof.

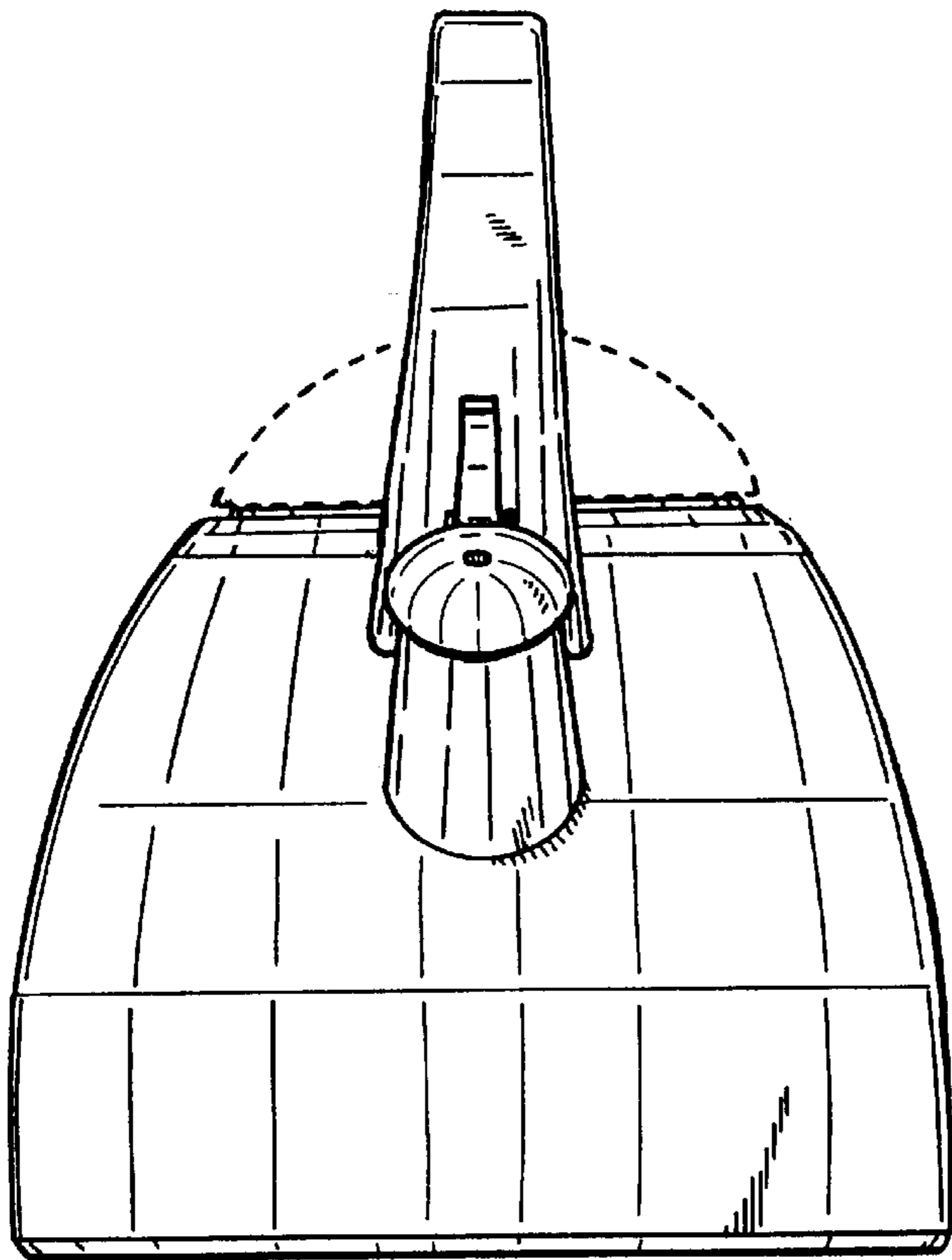
The broken line showing of a lid in FIGS. 1–6 is for illustrative purposes only and forms no part of the claimed design.

**1 Claim, 4 Drawing Sheets**

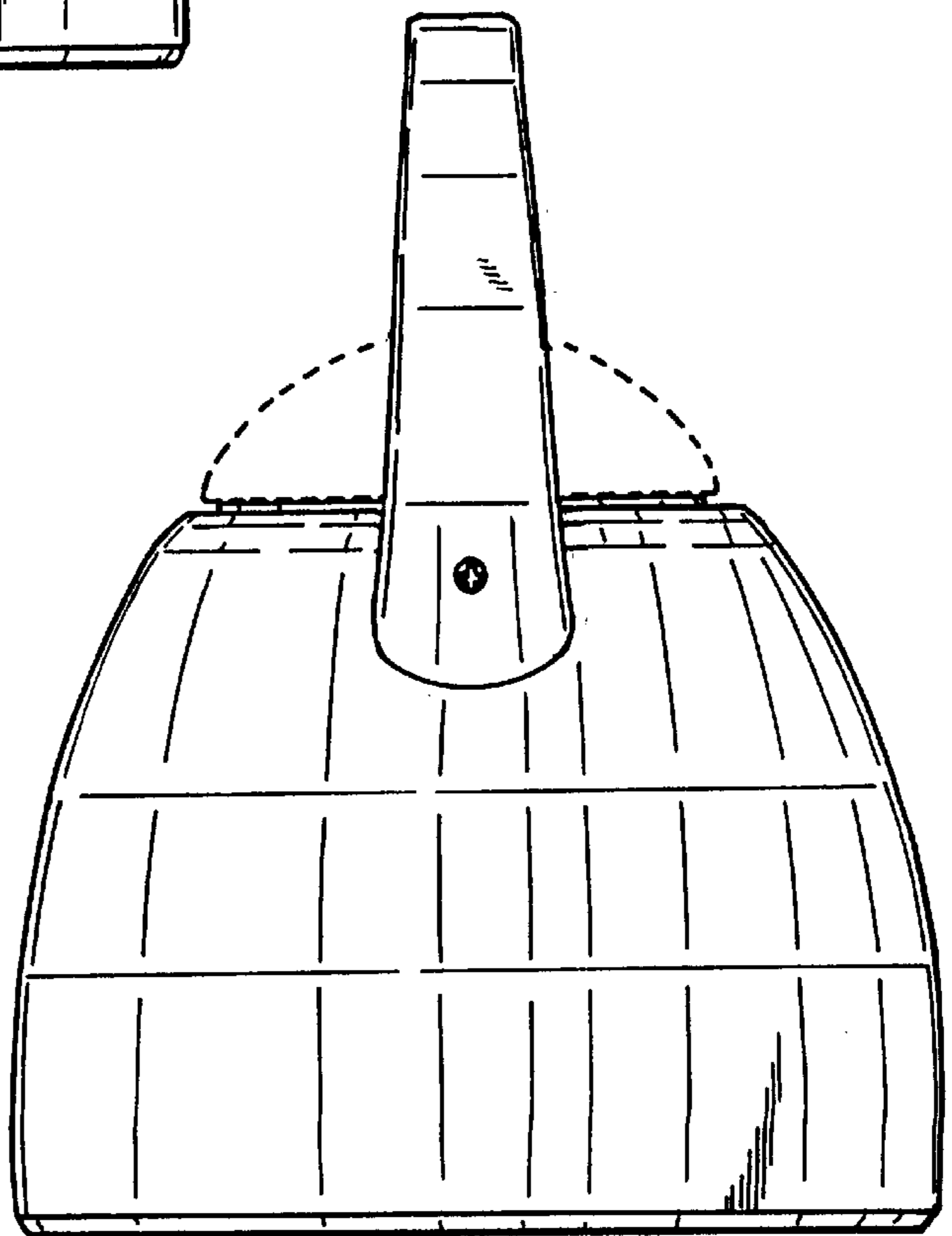




**FIG. 1**



**FIG. 2**



**FIG. 3**

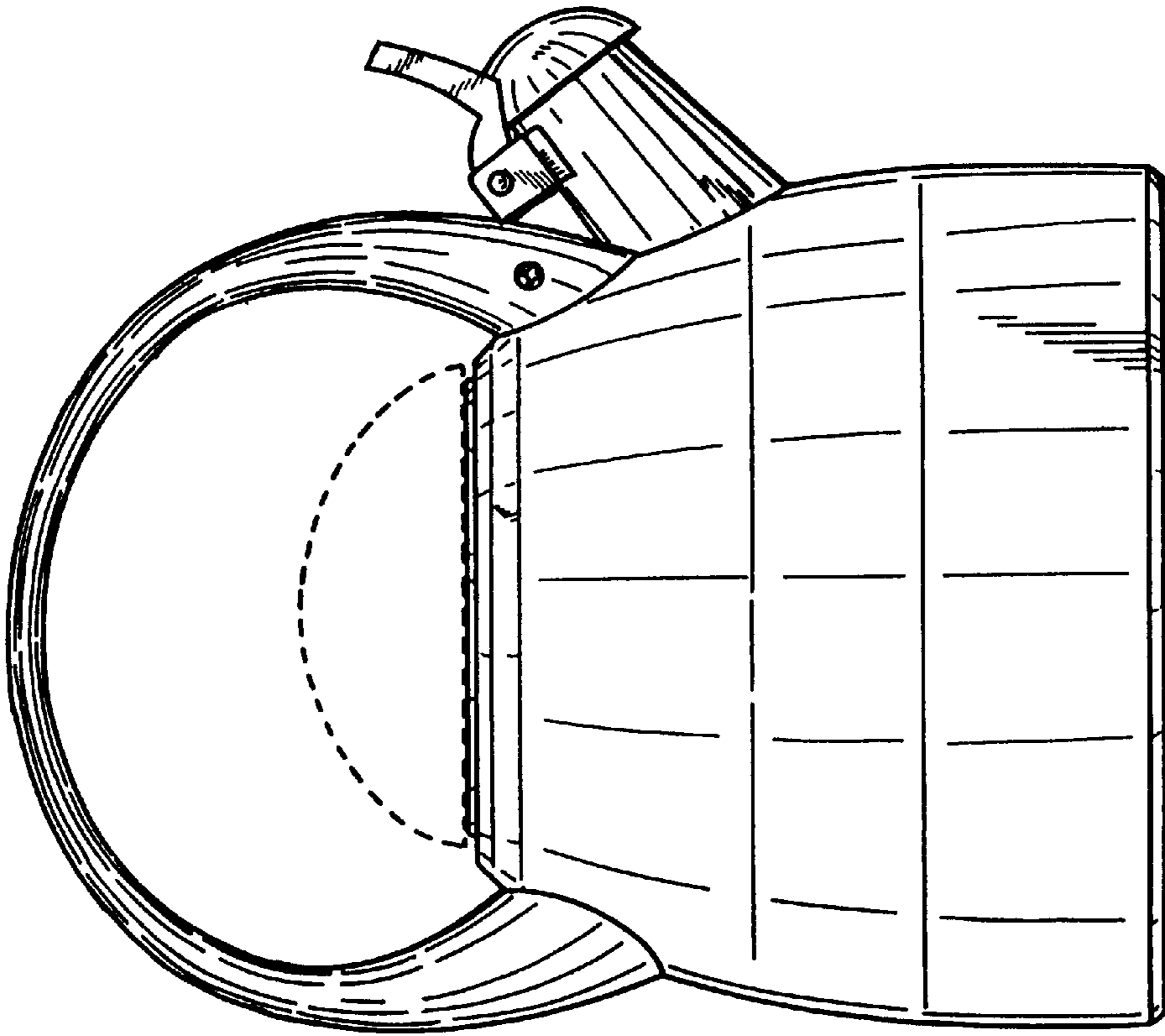


FIG. 5

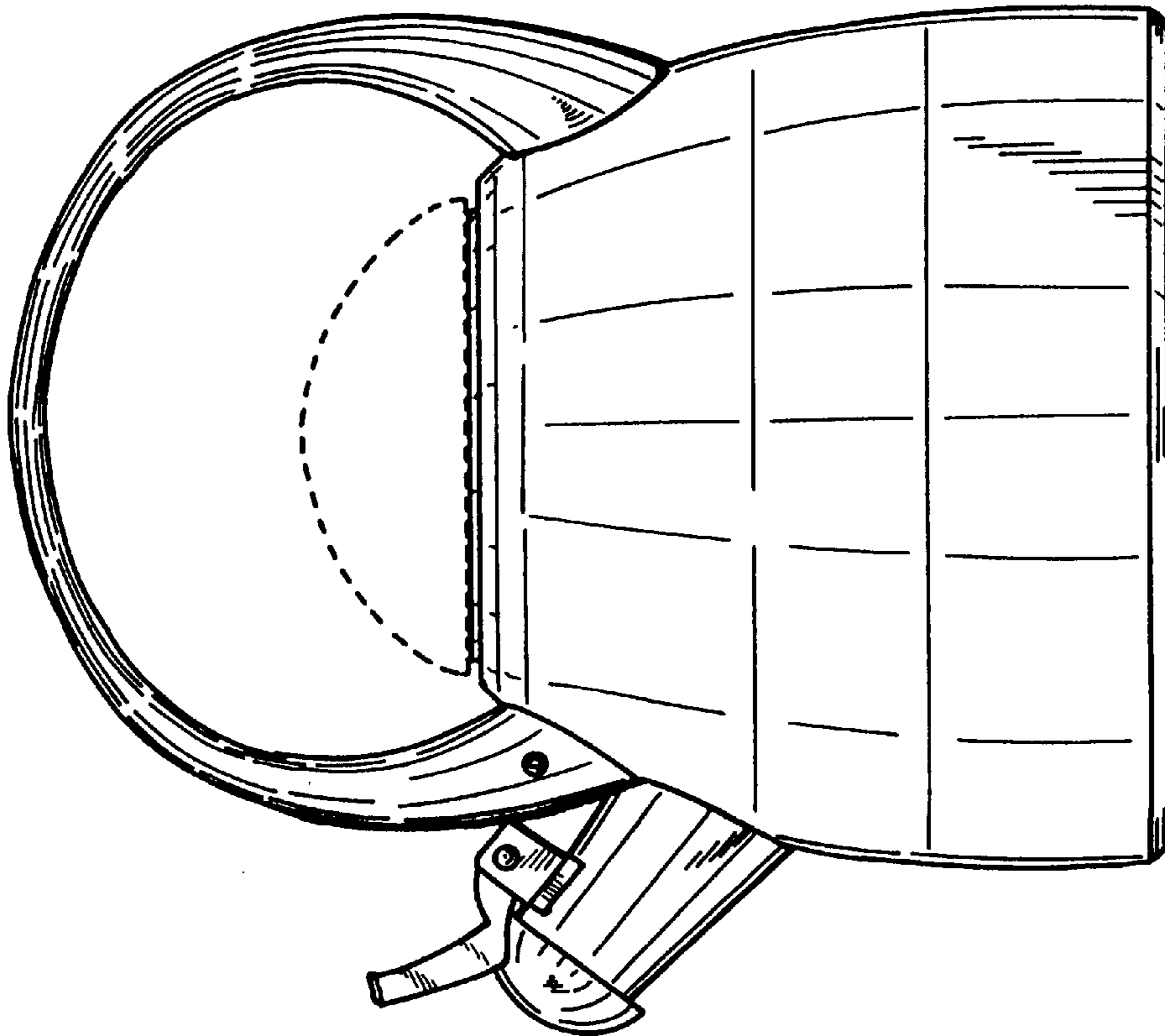
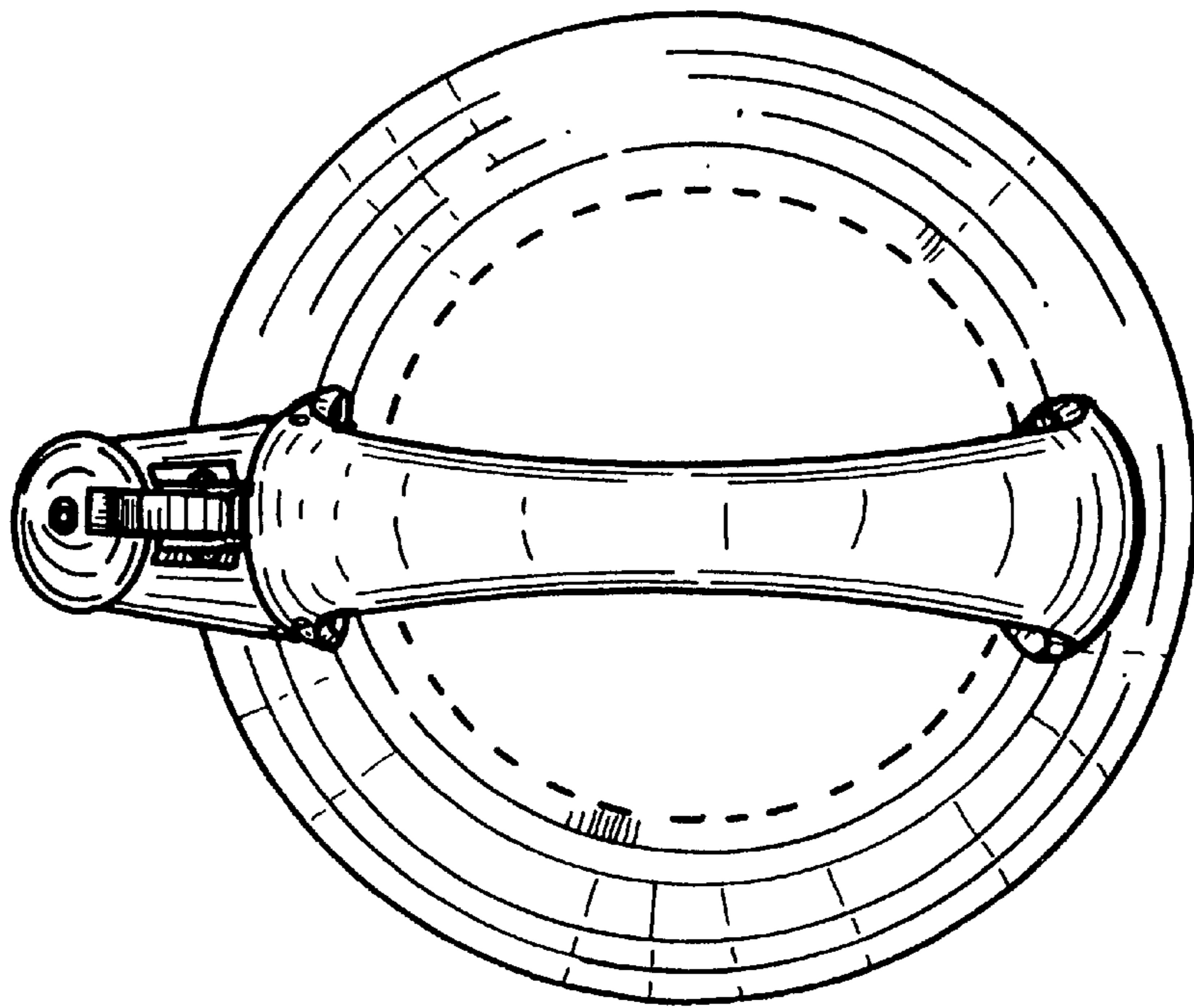
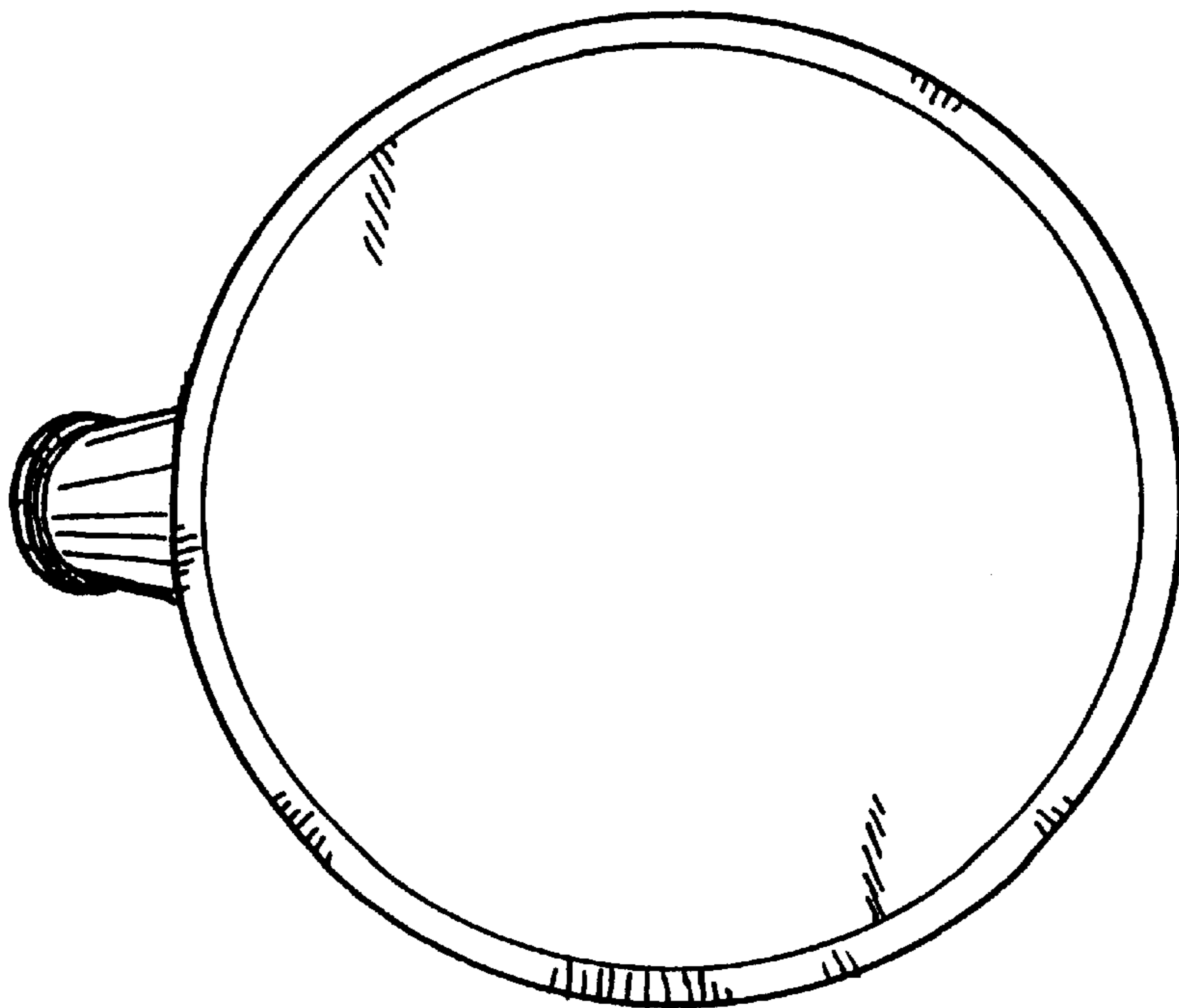


FIG. 4



**FIG. 6**



**FIG. 7**