



US00D428757S

United States Patent [19]

Loffler et al.

[11] Patent Number: **Des. 428,757**

[45] Date of Patent: **** Aug. 1, 2000**

[54] **BEVERAGE SERVER**

[75] Inventors: **Greg A. Loffler**, Prior Lake; **George E. McNamara**, Minneapolis, both of Minn.

[73] Assignee: **Service Ideas, Inc.**, Woodbury, Minn.

[**] Term: **14 Years**

[21] Appl. No.: **29/098,462**

[22] Filed: **Dec. 30, 1998**

[51] **LOC (7) Cl.** **07-01**

[52] **U.S. Cl.** **D7/319; D7/317**

[58] **Field of Search** **D7/312, 314, 317, D7/318, 319, 321, 322, 300; 222/309, 308**

[56] **References Cited**

U.S. PATENT DOCUMENTS

- D. 17,635 8/1887 Podmore .
- D. 36,781 2/1904 Blower .
- D. 40,601 4/1910 Sanford .
- D. 42,612 6/1912 Sanford .
- D. 85,918 1/1932 Dugdale .
- D. 115,828 7/1939 Barbiers .
- D. 124,328 12/1940 Nagle .
- D. 165,827 2/1952 Cowan .
- D. 264,434 5/1982 Pettengill .
- D. 276,490 11/1984 Zimmermann .
- D. 285,400 9/1986 Zimmermann D7/317

- D. 291,859 9/1987 Zimmermann D7/321
- D. 299,105 12/1988 Sun .
- D. 308,153 5/1990 Collins .
- D. 319,368 8/1991 Picozza et al. D7/317
- D. 322,005 12/1991 Cliff D7/317
- D. 354,880 1/1995 Huang D7/319
- D. 364,990 12/1995 Fonville D7/317
- D. 384,238 9/1997 Huang D7/319
- D. 396,377 7/1998 Tamura D7/319
- D. 420,545 2/2000 Huang D7/318

FOREIGN PATENT DOCUMENTS

1047931 11/1966 United Kingdom .

Primary Examiner—M. N. Pandozzi
Attorney, Agent, or Firm—Moore & Hansen

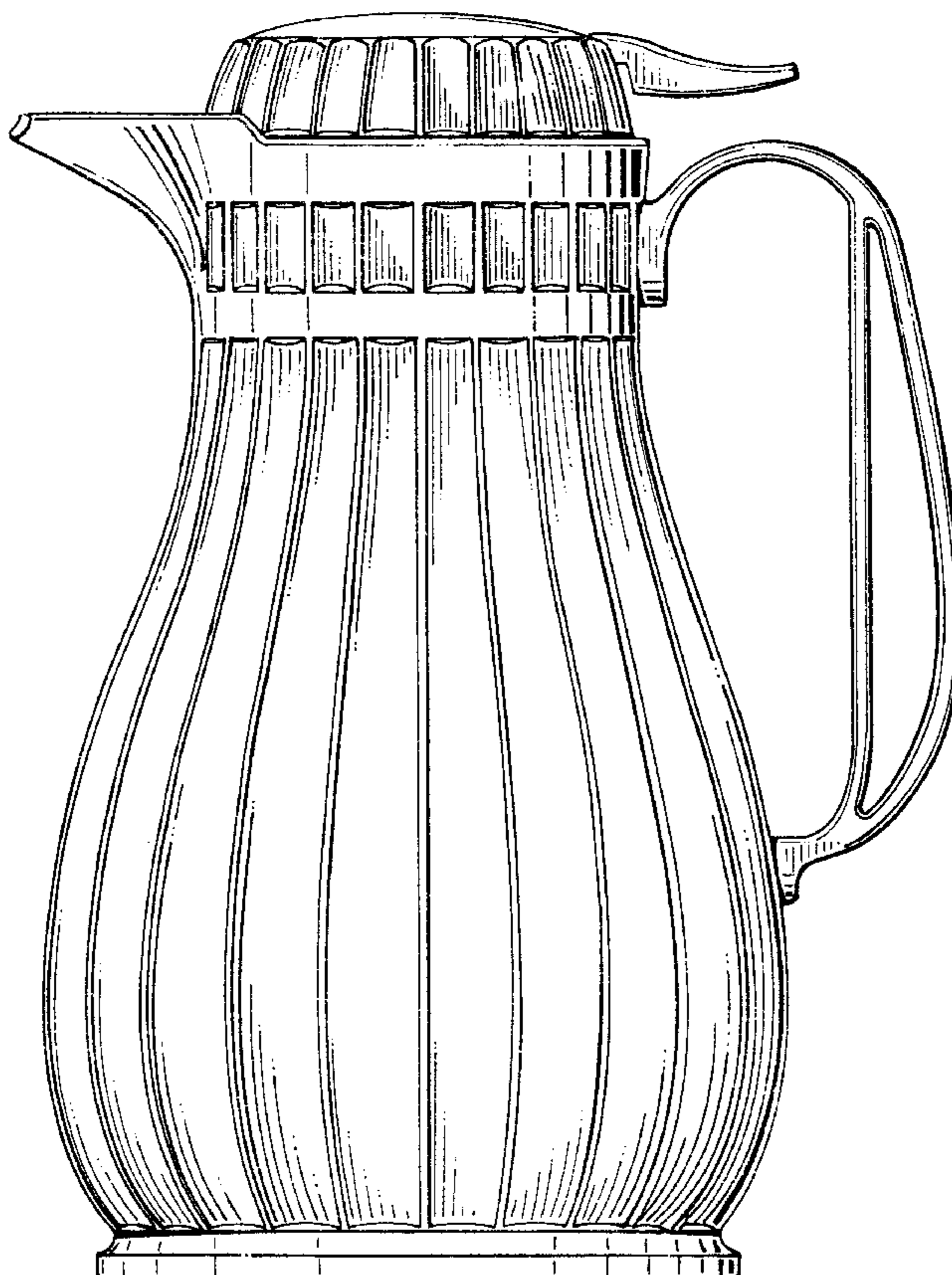
[57] **CLAIM**

The ornamental design for a beverage server, as shown and described.

DESCRIPTION

FIG. 1 is a right side elevational view of the beverage server incorporating the ornamental design; the side opposite is a mirror image;
FIG. 2 is a front elevation view thereof;
FIG. 3 is a rear elevation view thereof;
FIG. 4 is a top plan view thereof; and,
FIG. 5 is a bottom plan thereof.

1 Claim, 2 Drawing Sheets



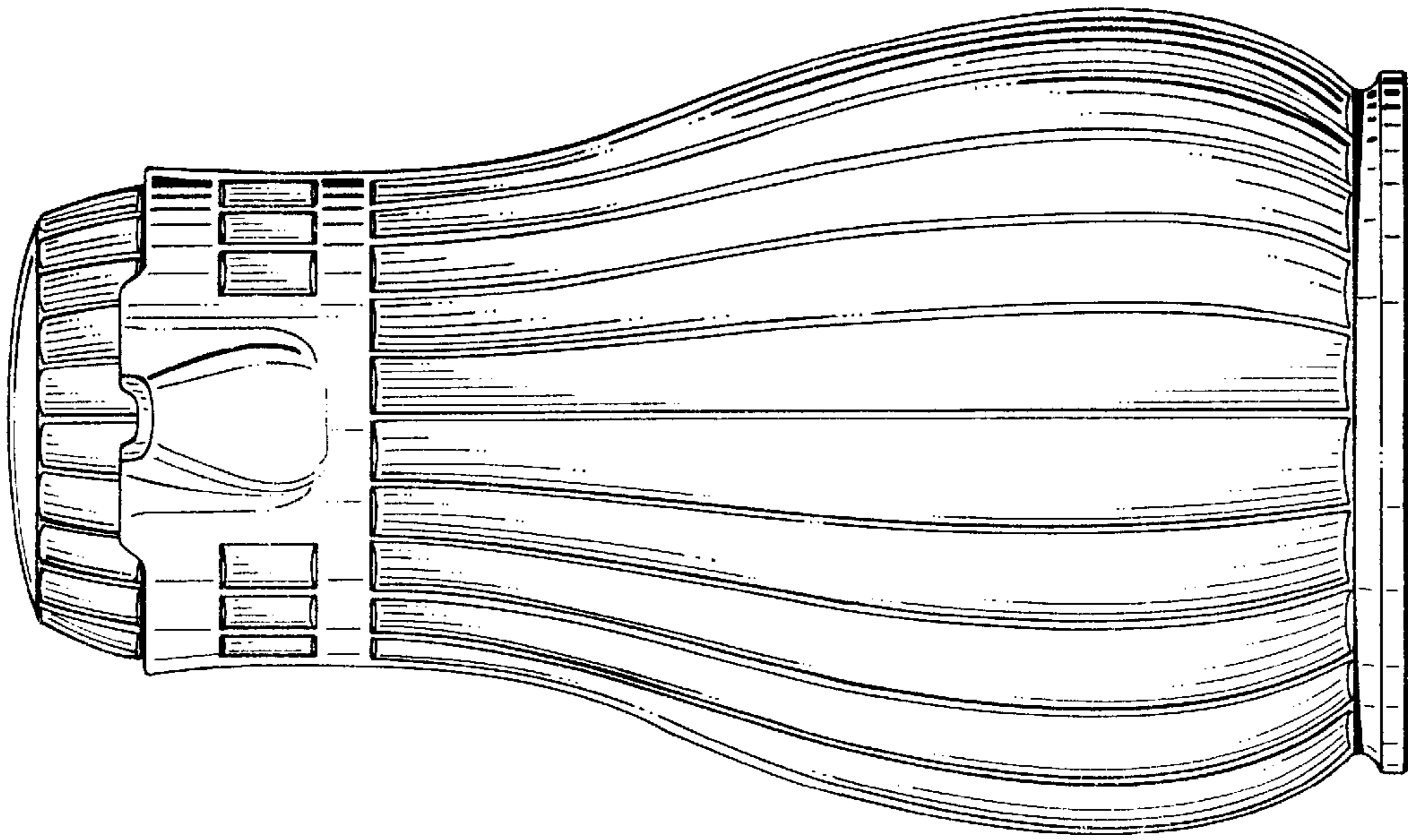


Fig. 2

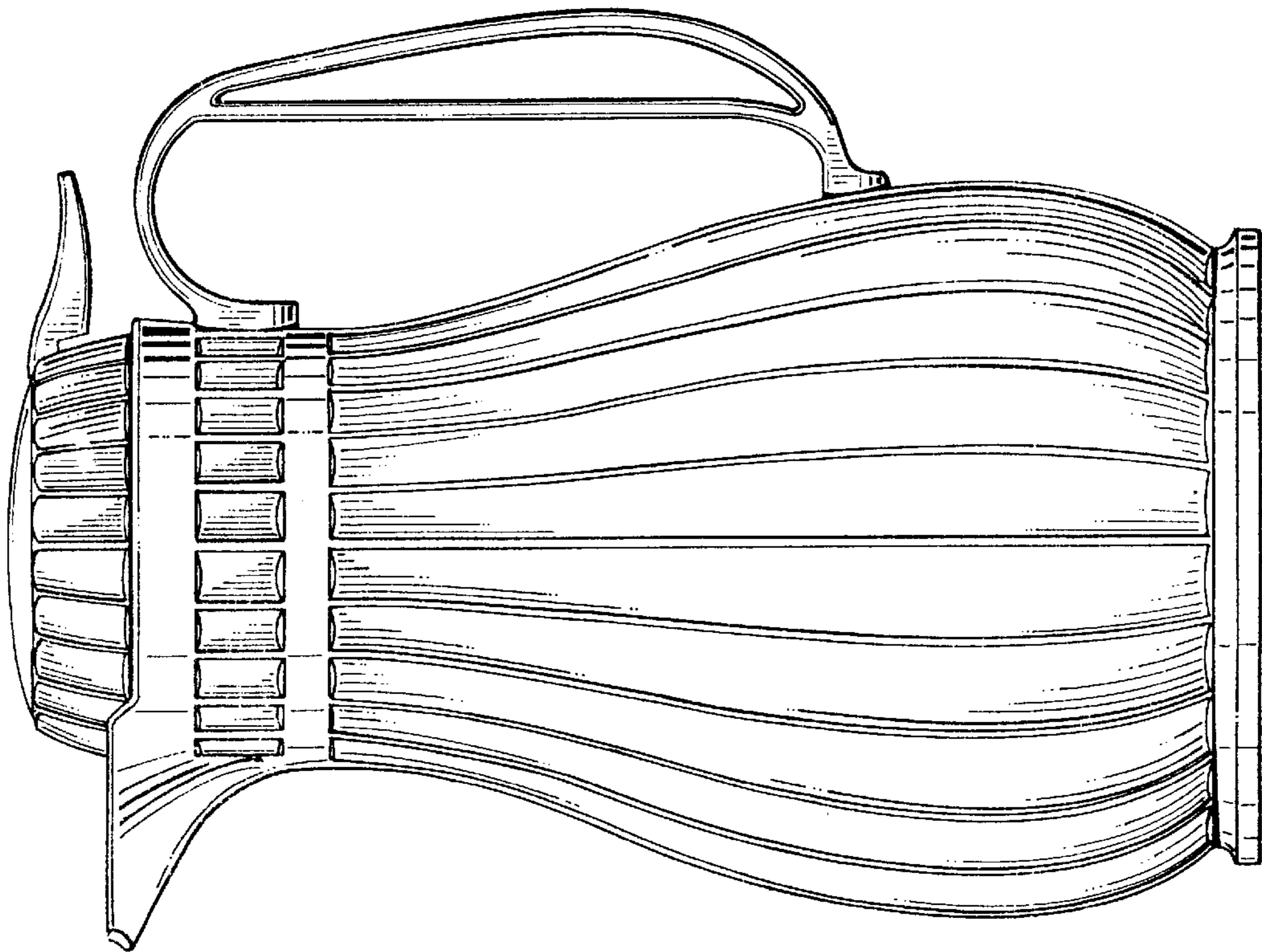


Fig. 1

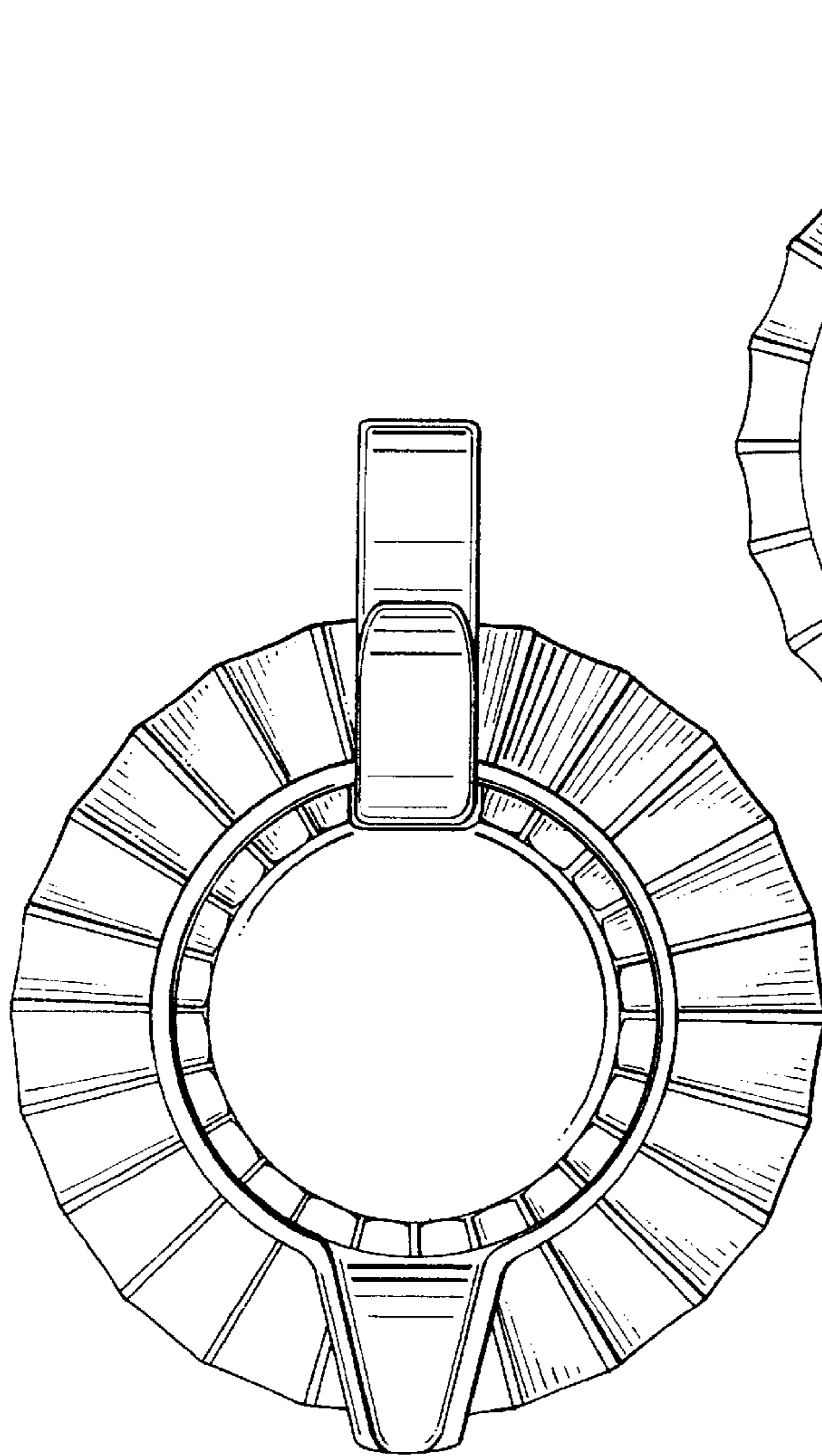


Fig. 4

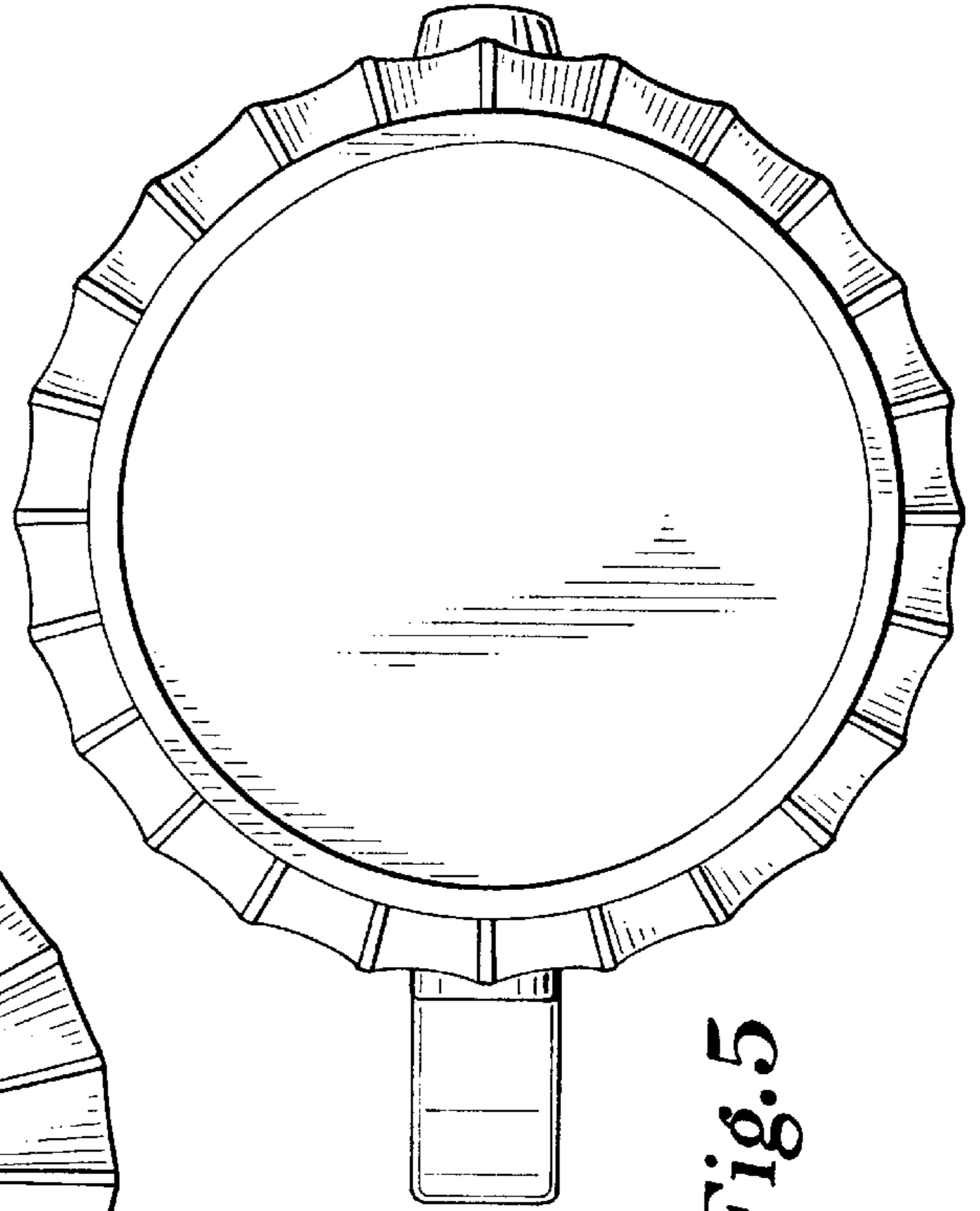


Fig. 5

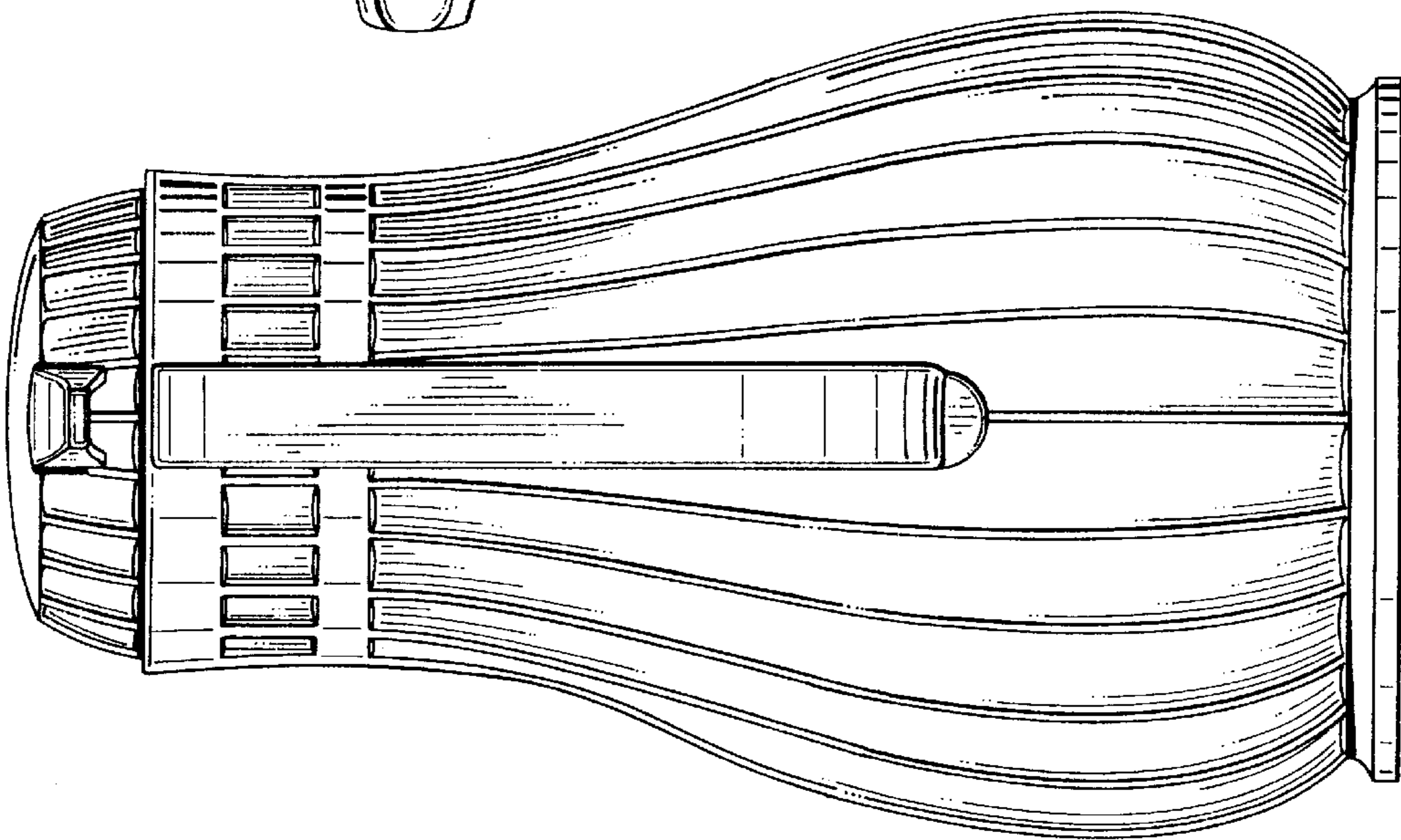


Fig. 3