



US00D428752S

United States Patent [19]
Marquez, Jr.

[11] **Patent Number: Des. 428,752**
[45] **Date of Patent: ** Aug. 1, 2000**

[54] **COMPACT DISK STORAGE RACK**

[76] Inventor: **Juan Marquez, Jr.**, 715 Hampton Dr., Venice, Calif. 90291

[**] Term: **14 Years**

[21] Appl. No.: **29/110,017**

[22] Filed: **Aug. 27, 1999**

[51] **LOC (7) Cl. 06-04**

[52] **U.S. Cl. D6/629; D6/476**

[58] **Field of Search** D6/407, 626-630, D6/462-468, 450, 457, 473-476, 556-567, 570-572, 553; 248/174; 312/9.1-9.64; D19/90; D32/55, 58; 211/40, 41.1, 132.1, 41.2, 41.3, 41.4, 42, 41.12, 44, 41.18, 48; 206/307.1, 307, 308.1, 445, 387.15, 454, 387.1, 425

[56] **References Cited**

U.S. PATENT DOCUMENTS

D. 034,100	2/1901	Long	D6/476
D. 63,054	9/1923	Lallance	D6/464
D. 161,591	1/1951	Payer	D6/476
D. 183,595	9/1958	Borskey	D6/407
D. 190,501	6/1961	Von Meyer	D6/464 X
D. 192,120	1/1962	Heling	D16/407
D. 209,681	12/1967	Lyman	D6/407
D. 244,243	5/1977	Hegg et al.	D6/476
D. 252,966	9/1979	Cohen et al.	D6/407
D. 281,658	12/1985	Kikutani	D6/407
D. 295,932	5/1988	Cugley	D6/476

D. 348,366	7/1994	Stravitz	D6/476
1,620,313	3/1927	Abele	D6/473 X
2,197,789	4/1940	Dalton	D6/476 X
3,164,254	1/1965	Gorc	211/42
3,184,073	5/1965	Bartolucci	D6/476
3,387,713	6/1968	Brooks	211/42 X
5,277,388	1/1994	Denaro	248/174 X
5,984,120	11/1999	Johnske	211/132.1

Primary Examiner—Jeffrey Asch
Attorney, Agent, or Firm—Kelly Bauersfeld Lowry & Kelley, LLP

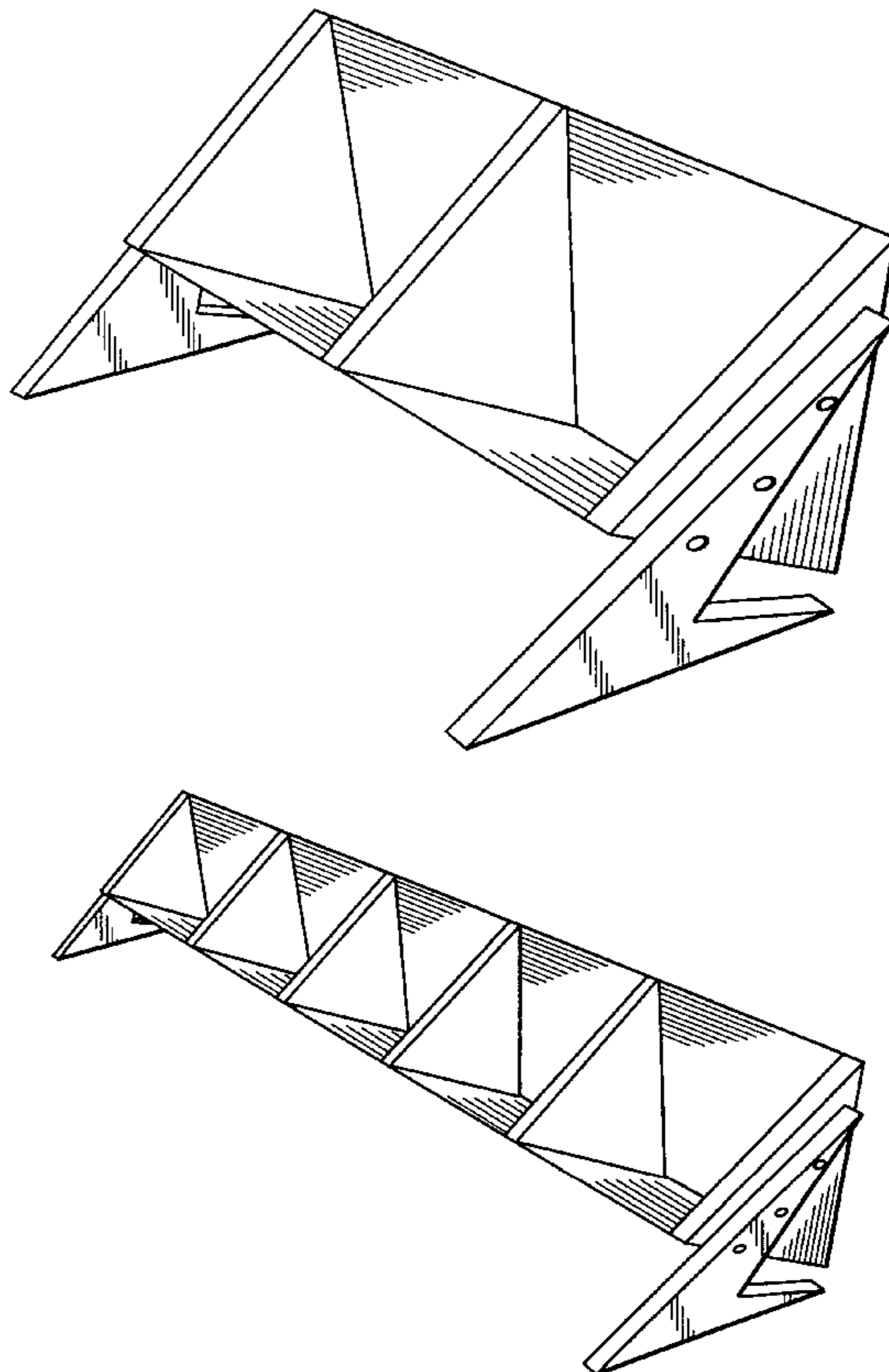
[57] **CLAIM**

The ornamental design for a compact disk storage rack, as shown and described.

DESCRIPTION

FIG. 1 is a front, top and left side perspective view of a compact disk storage rack embodying my new design; FIG. 2 is a front elevational view thereof; FIG. 3 is a rear elevational view thereof; FIG. 4 is a left side elevational view thereof; FIG. 5 is a right side elevational view thereof; FIG. 6 is a top plan view thereof; FIG. 7 is a bottom plan view thereof; and, FIG. 8 is a perspective view of another embodiment of the compact disk storage rack embodying my new design, including additional storage compartments, the only difference over the first embodiment being in said additional storage compartments.

1 Claim, 2 Drawing Sheets



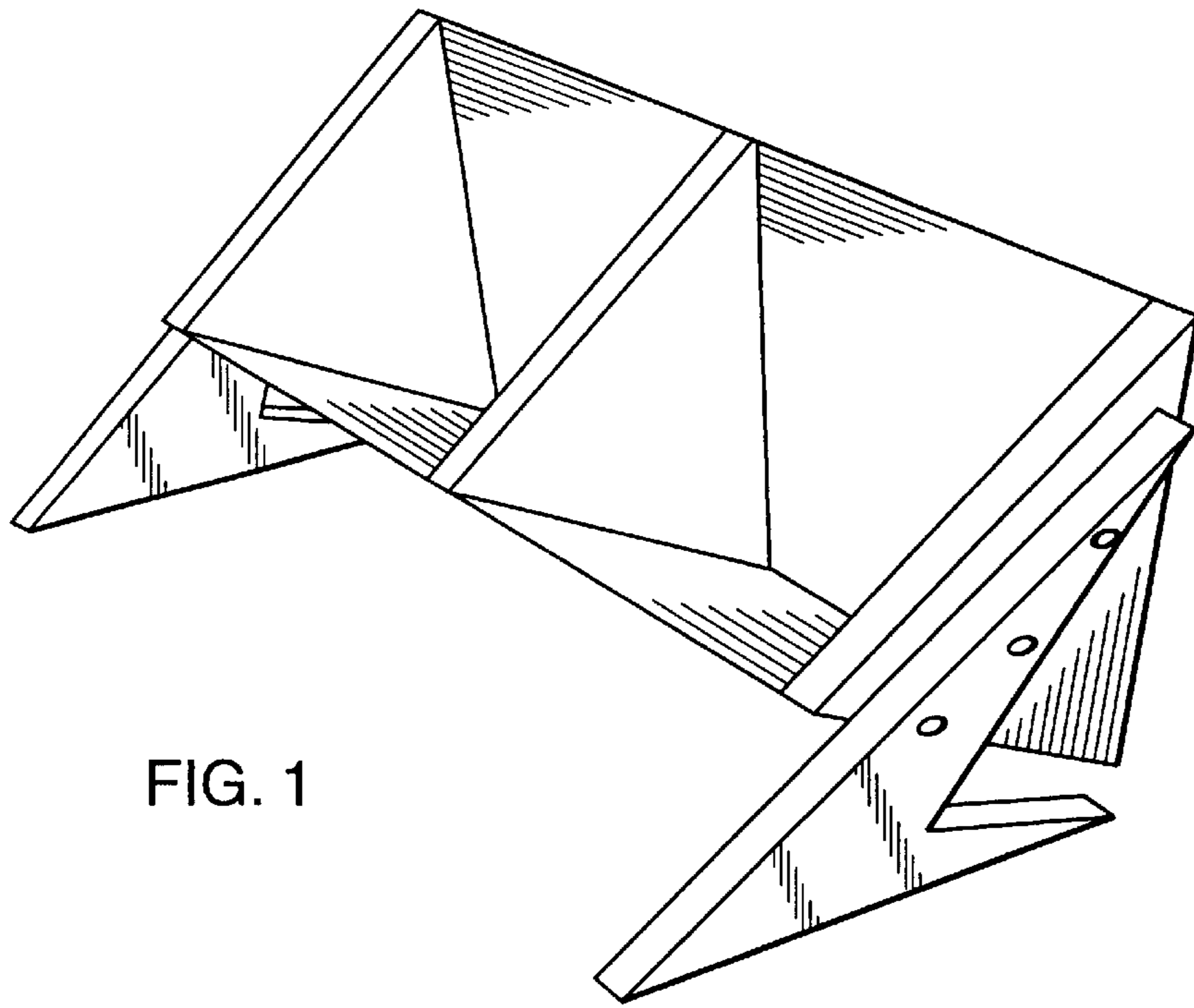


FIG. 1

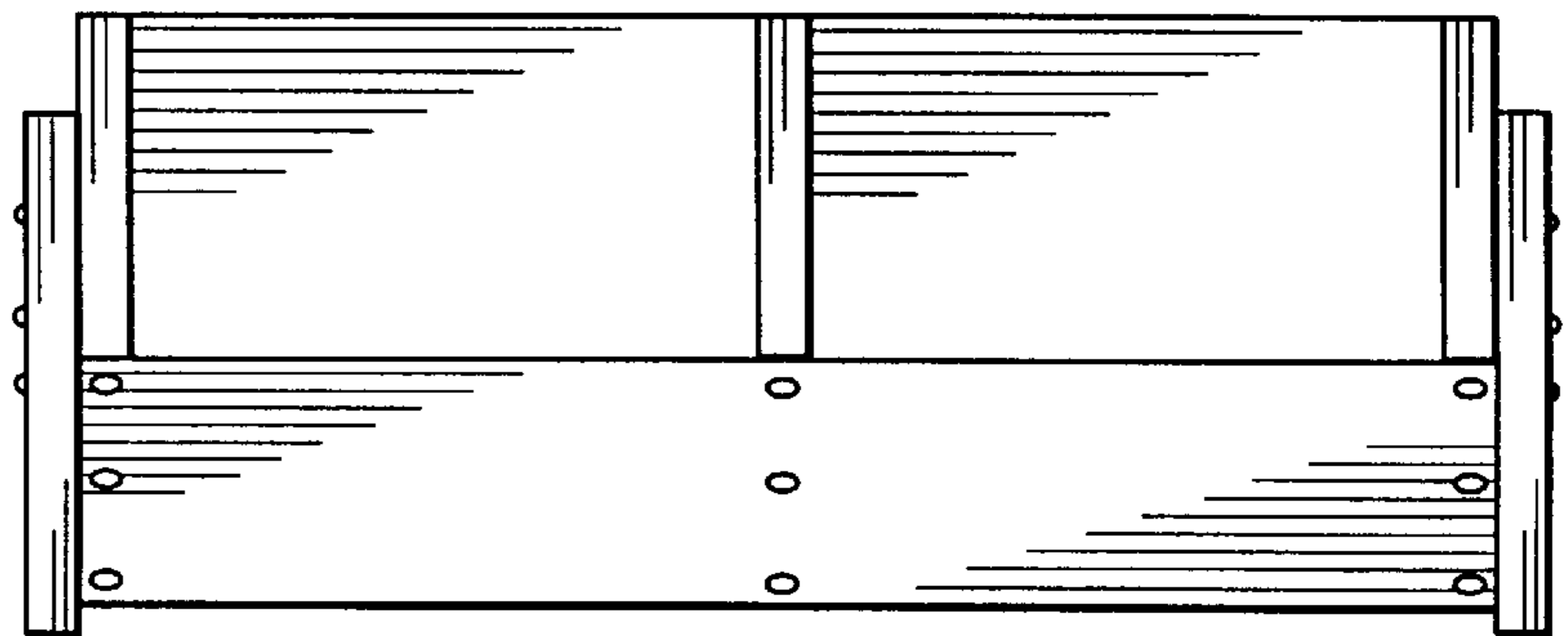


FIG. 2

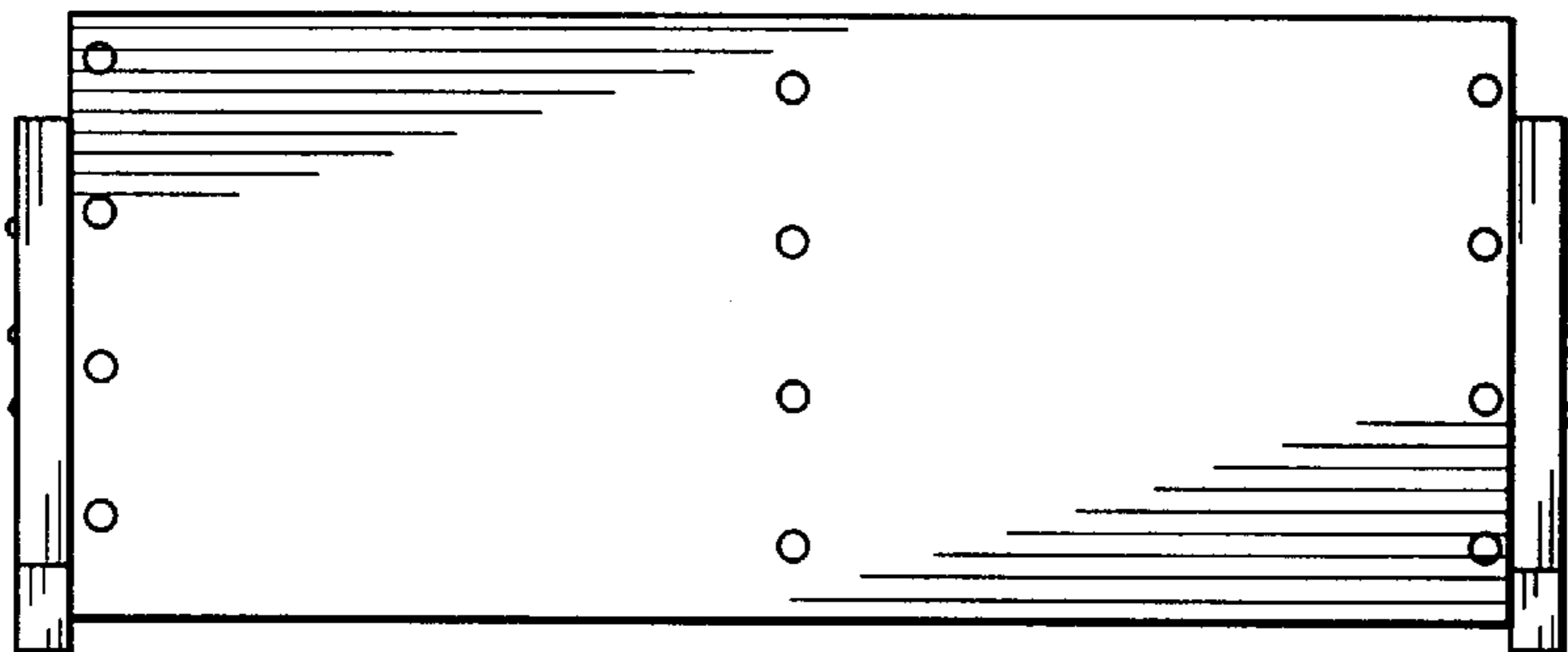


FIG. 3

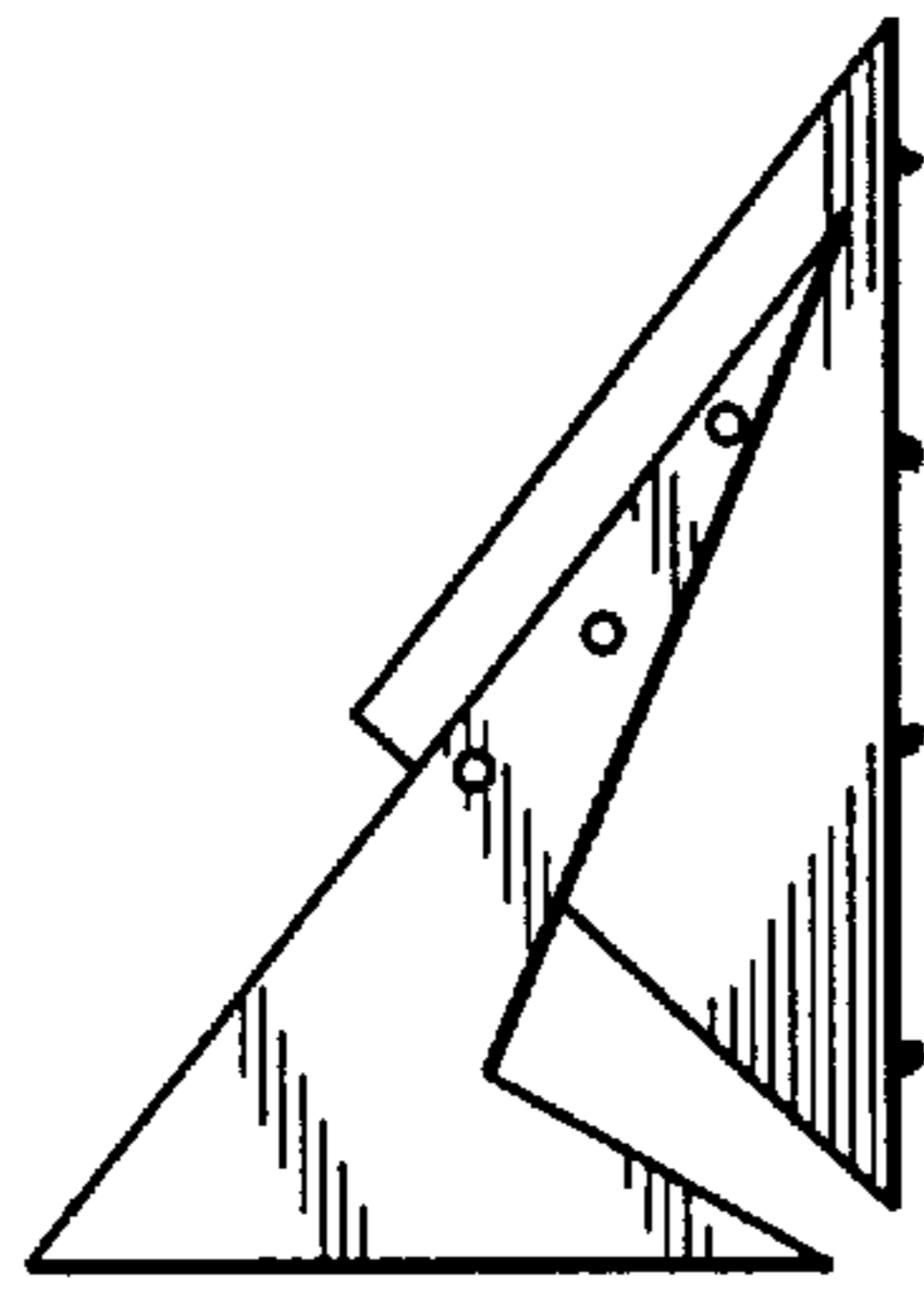


FIG. 4

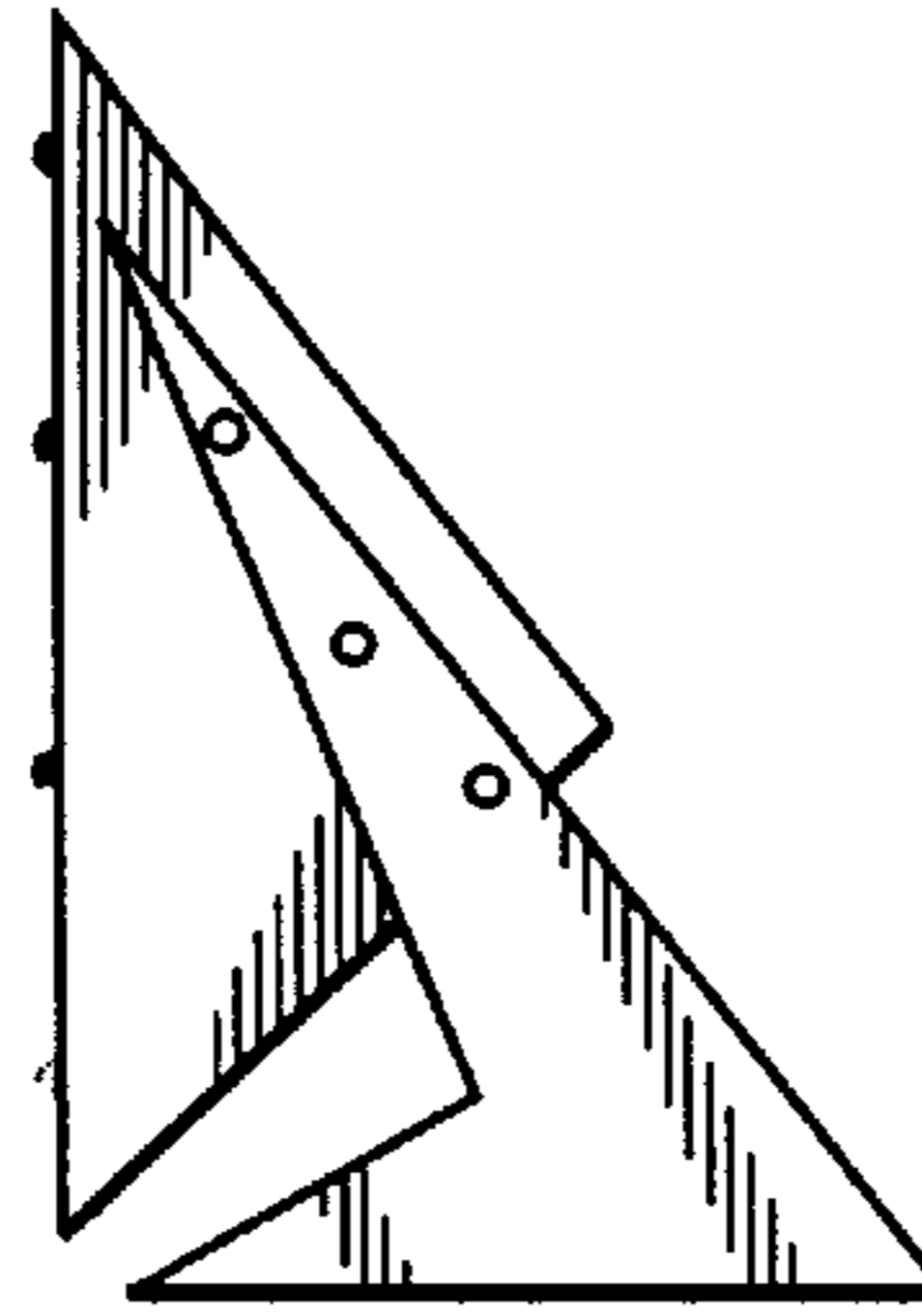


FIG. 5

FIG. 6

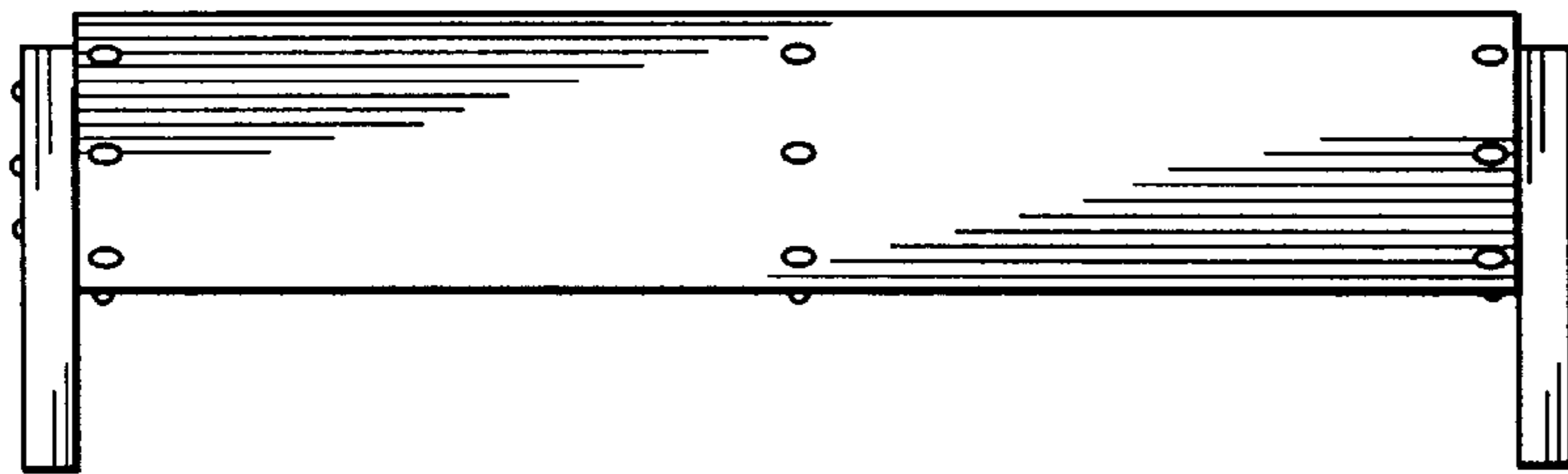
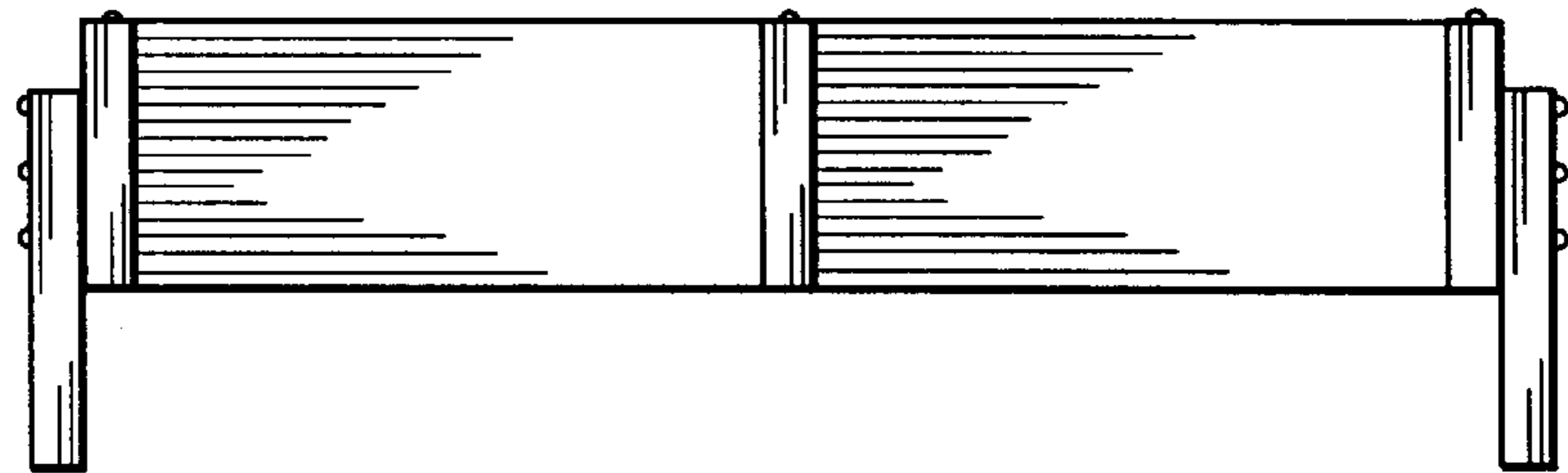


FIG. 7

FIG. 8

