



US00D428748S

# United States Patent [19] Minami

[11] **Patent Number: Des. 428,748**

[45] **Date of Patent: \*\* Aug. 1, 2000**

[54] **DRESSING MIRROR**

D. 238,638 2/1976 Johnson ..... D6/568  
D. 267,213 12/1982 Ness ..... D6/568

[75] Inventor: **Nobuyuki Minami**, Osaka, Japan

[73] Assignee: **Oohiro Works, Ltd.**, Japan

[\*\*] Term: **14 Years**

*Primary Examiner*—Brian N. Vinson  
*Attorney, Agent, or Firm*—Wall Marjama Bilinski & Burr

[21] Appl. No.: **29/107,499**

[22] Filed: **Jul. 7, 1999**

[57] **CLAIM**

The ornamental design for a dressing mirror, as shown and described.

[30] **Foreign Application Priority Data**

Jan. 11, 1999 [JP] Japan ..... 11-505

[51] **LOC (7) Cl.** ..... **06-04**

[52] **U.S. Cl.** ..... **D6/568**

[58] **Field of Search** ..... D6/553, 567, 568,  
D6/300, 310; 211/86, 87, 88, 90, 134; 312/245

### DESCRIPTION

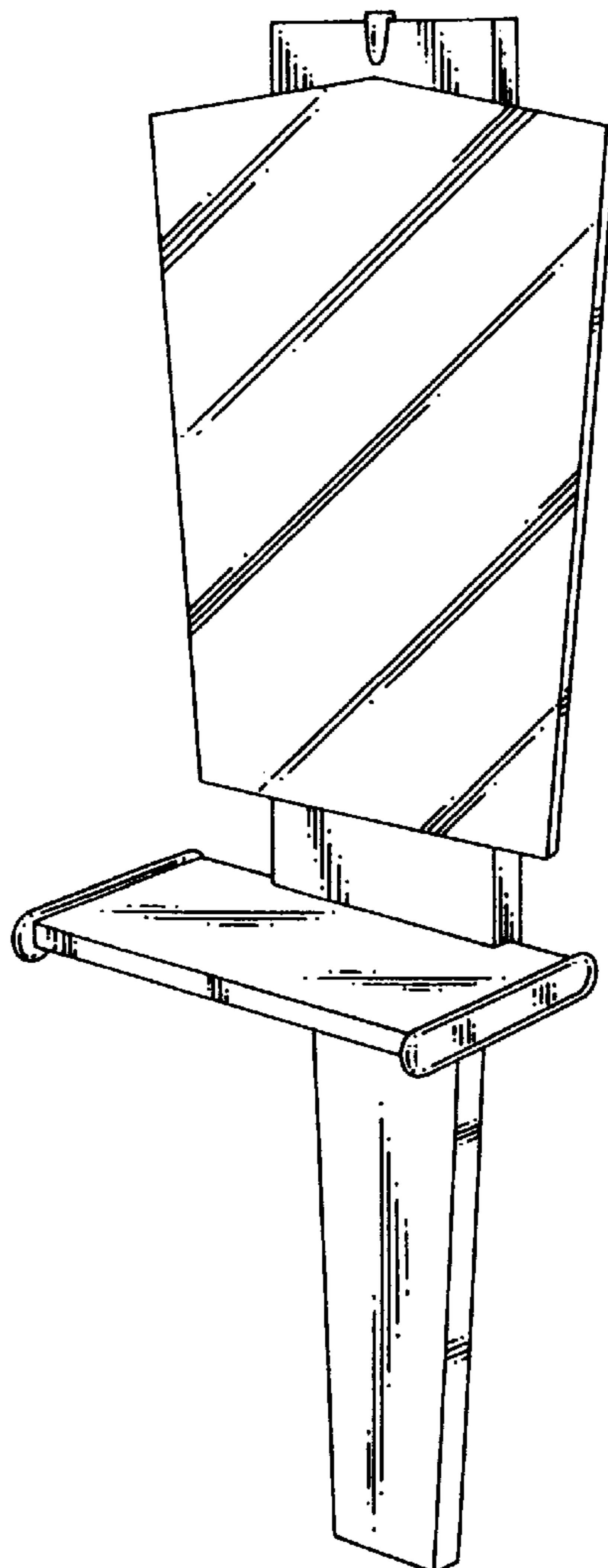
FIG. 1 is a front view of the dressing mirror in accordance with my new design;  
FIG. 2 is a back view thereof;  
FIG. 3 is a right side view thereof, the left side view being a mirror image thereof;  
FIG. 4 is an A—A line sectional view thereof;  
FIG. 5 is a top view thereof;  
FIG. 6 is a bottom view thereof; and,  
FIG. 7 is a perspective view thereof.

[56] **References Cited**

#### U.S. PATENT DOCUMENTS

D. 167,517 8/1952 Kopko ..... D6/568

**1 Claim, 3 Drawing Sheets**



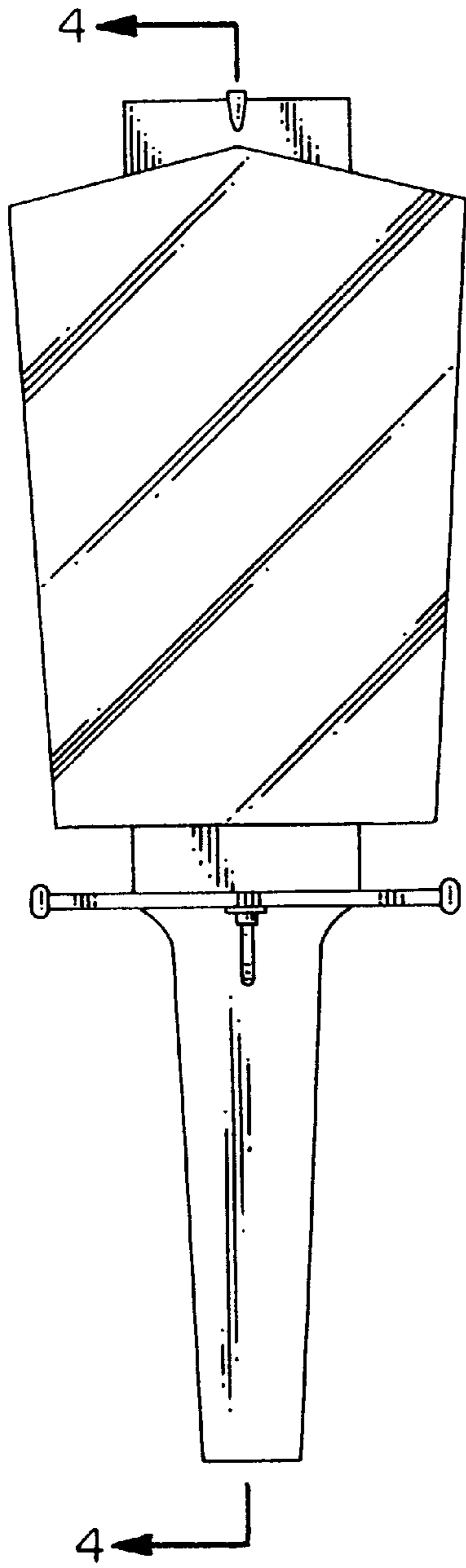


FIG.1

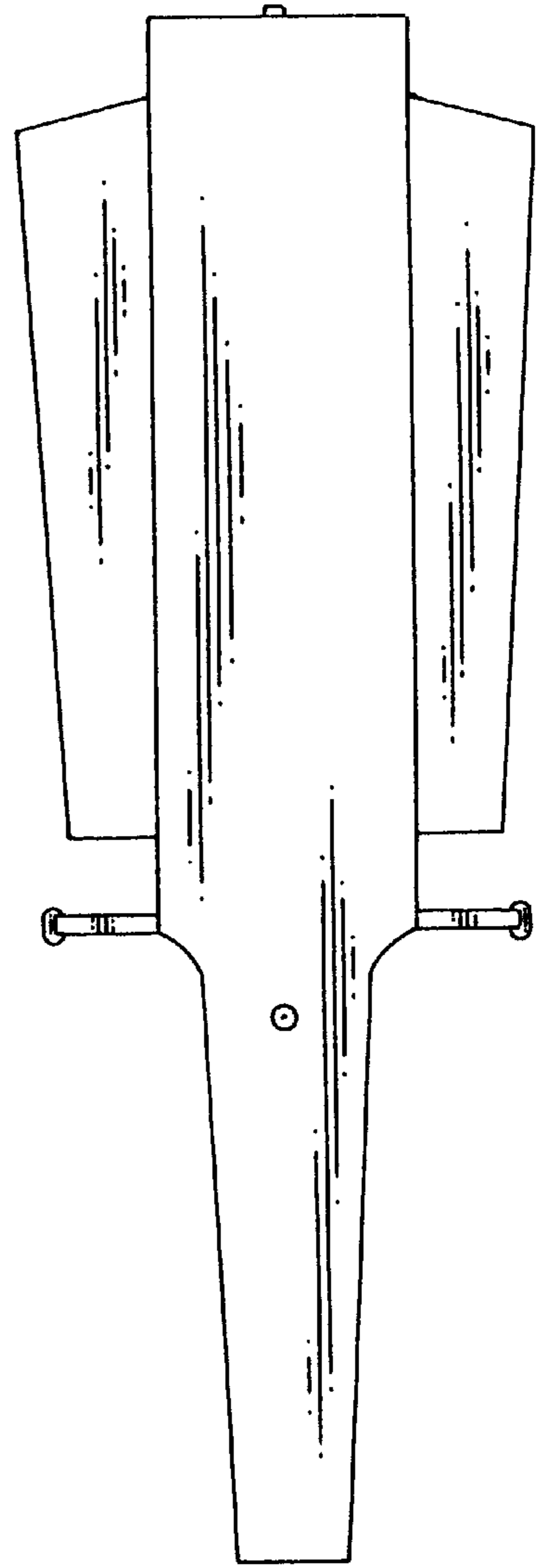


FIG.2

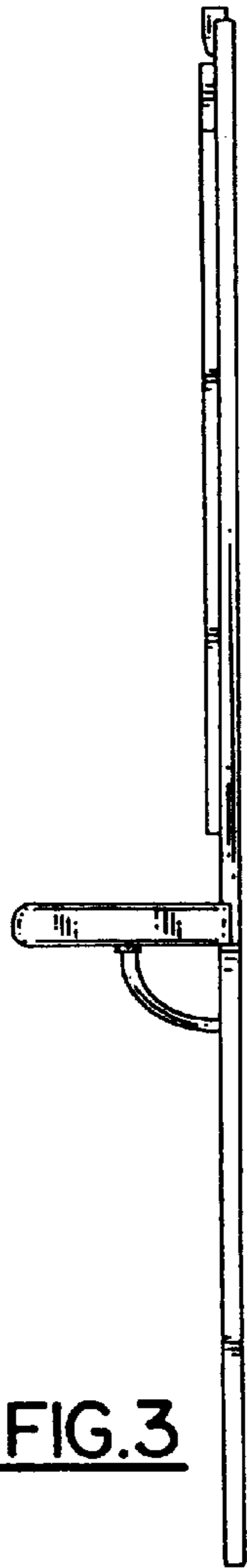


FIG. 3

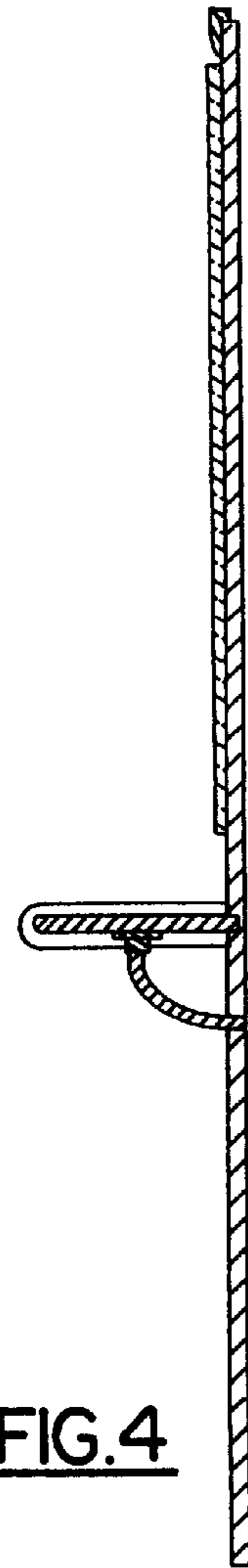


FIG. 4

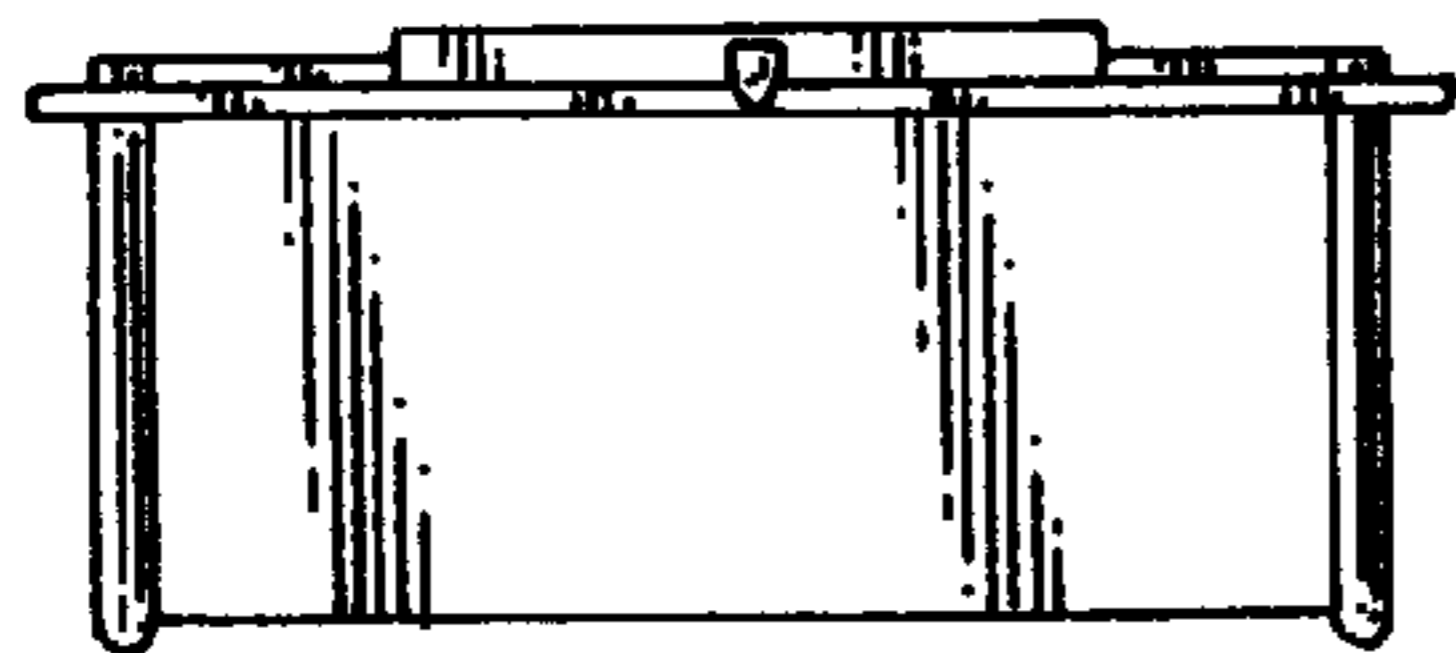


FIG. 5

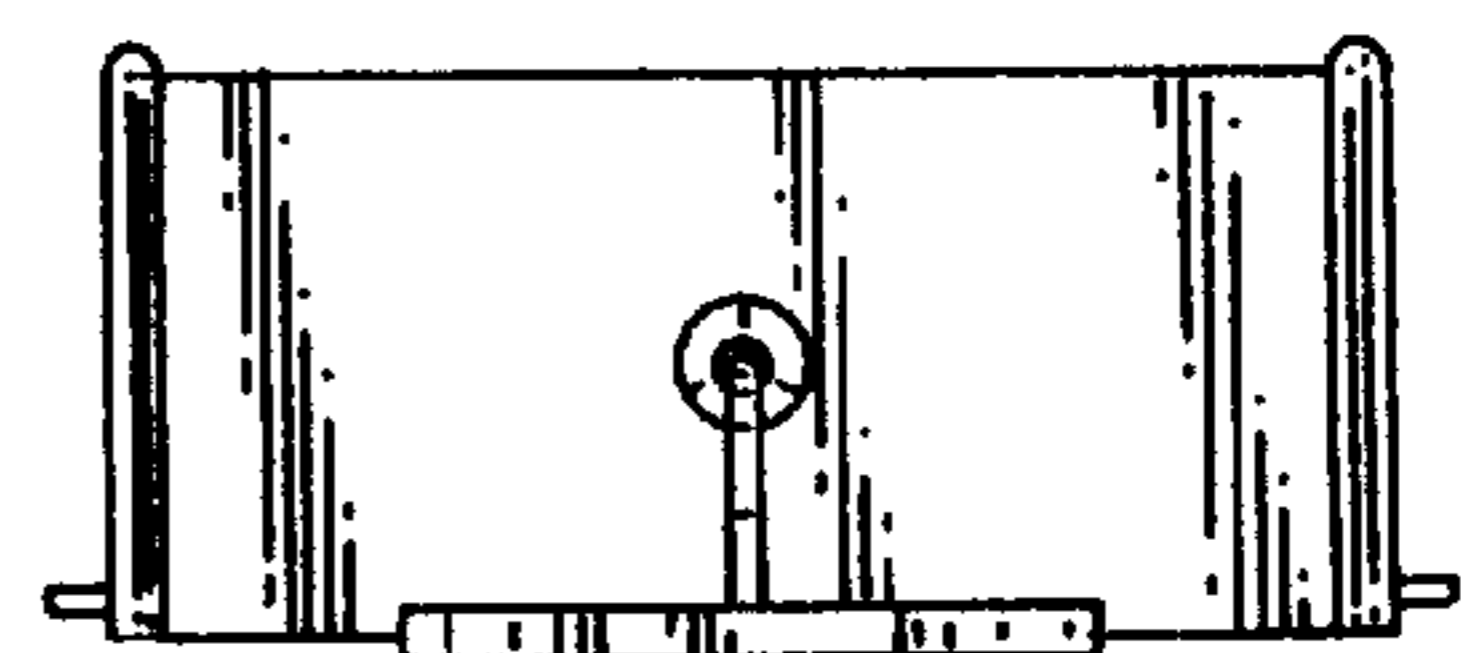


FIG. 6

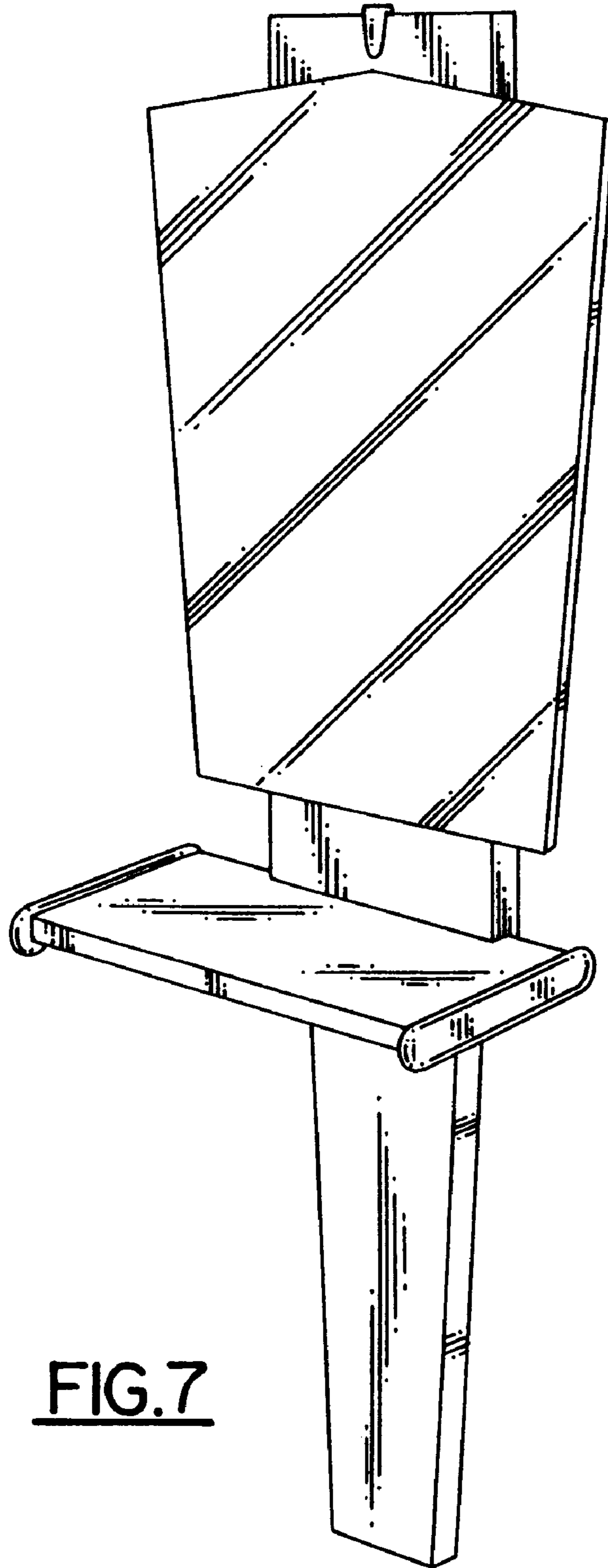


FIG. 7