



US00D428746S

United States Patent [19]

Patel et al.

[11] Patent Number: **Des. 428,746**

[45] Date of Patent: **** Aug. 1, 2000**

[54] **WIRE TOOTHBRUSH HOLDER**

[75] Inventors: **Shailesh Patel**, Glenview; **Lawrence Hauser**, Chicago, both of Ill.

[73] Assignee: **Home Products International, Inc.**, Chicago, Ill.

[**] Term: **14 Years**

[21] Appl. No.: **29/118,021**

[22] Filed: **Feb. 2, 2000**

[51] **LOC (7) Cl.** **23-02**

[52] **U.S. Cl.** **D6/531; D6/534; D6/535**

[58] **Field of Search** D6/524, 527, 528, D6/531, 534, 535, 540; 211/13.1, 60.1, 65, 66, 69.5, 71, 74, 75, 86, 87, 89, 181.1; 248/302, 309.1, 310, 311.2, 312, 314

D. 356,708 3/1995 Shames et al. D6/540

D. 386,343 11/1997 Moore D6/540

D. 417,575 12/1999 Ming-Hsiao D6/540

2,576,873 11/1951 Zelov 248/309.1 X

4,637,582 1/1987 Boda 248/309.1 X

Primary Examiner—Brian N. Vinson
Attorney, Agent, or Firm—Rockey, Milnamow & Katz, Ltd.

[57] CLAIM

The ornamental design for a wire toothbrush holder, as shown and described.

DESCRIPTION

FIG. 1 is a perspective view of a wire toothbrush holder showing our new design, the suction cups shown in phantom lines not forming part of the invention;

FIG. 2 is a top plan view thereof;

FIG. 3 is a bottom plan view thereof;

FIG. 4 is a left side elevational view thereof;

FIG. 5 is a front elevational view thereof;

FIG. 6 is a right side elevational view thereof; and,

FIG. 7 is a rear elevational view thereof.

[56] **References Cited**

U.S. PATENT DOCUMENTS

D. 320,132 9/1991 Huxtable D6/531

1 Claim, 4 Drawing Sheets

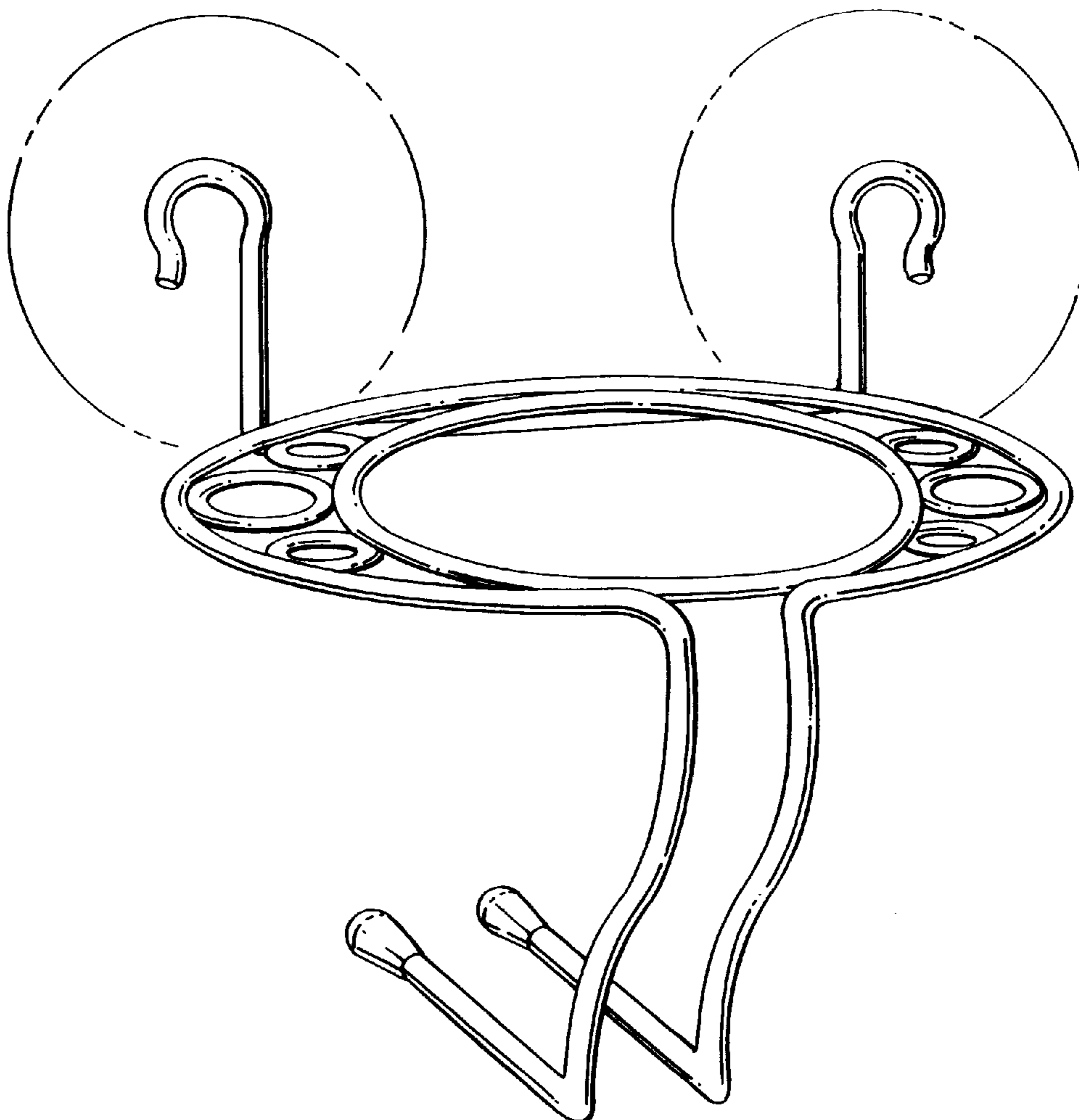


FIG. 1

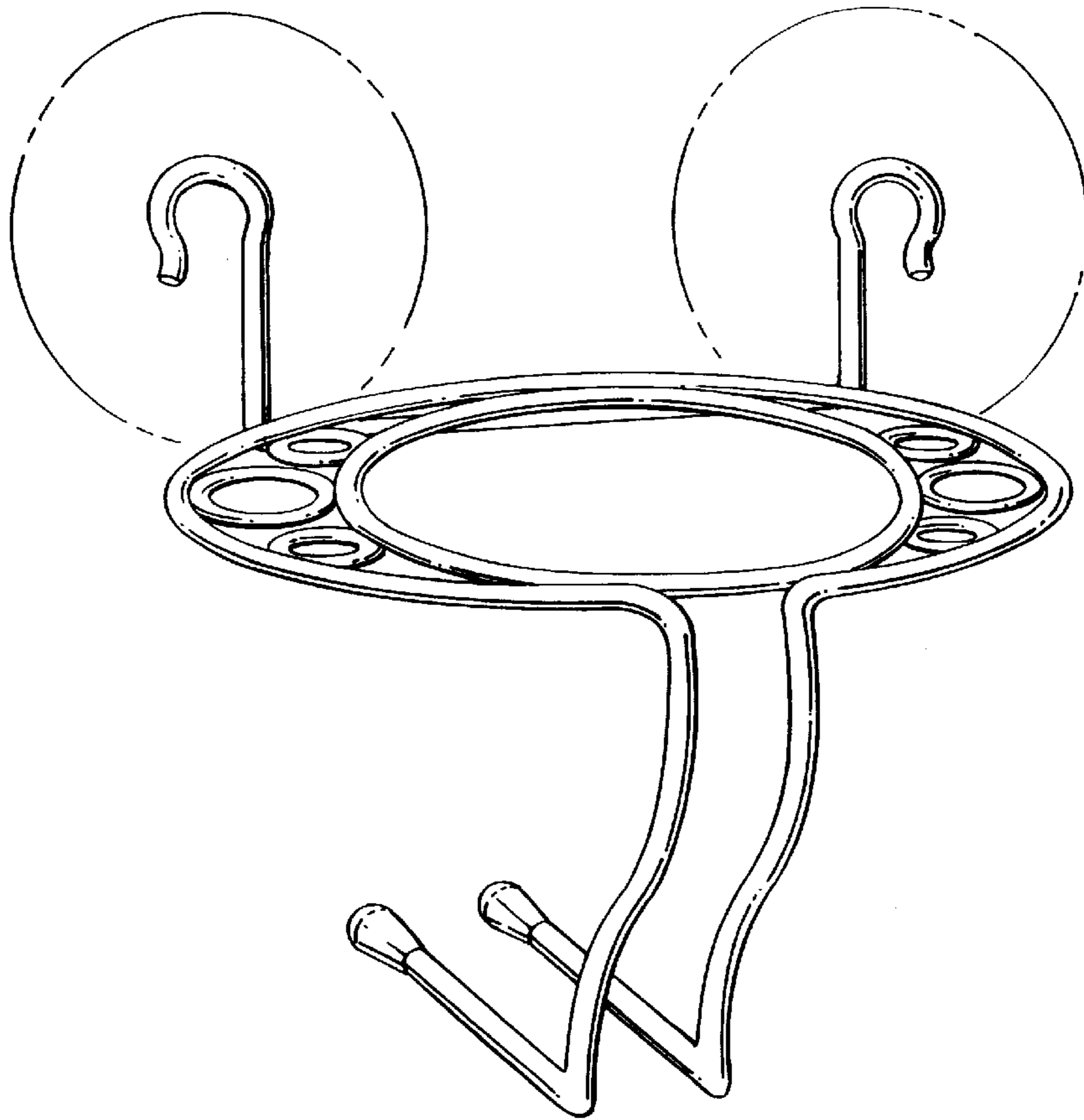


FIG. 2

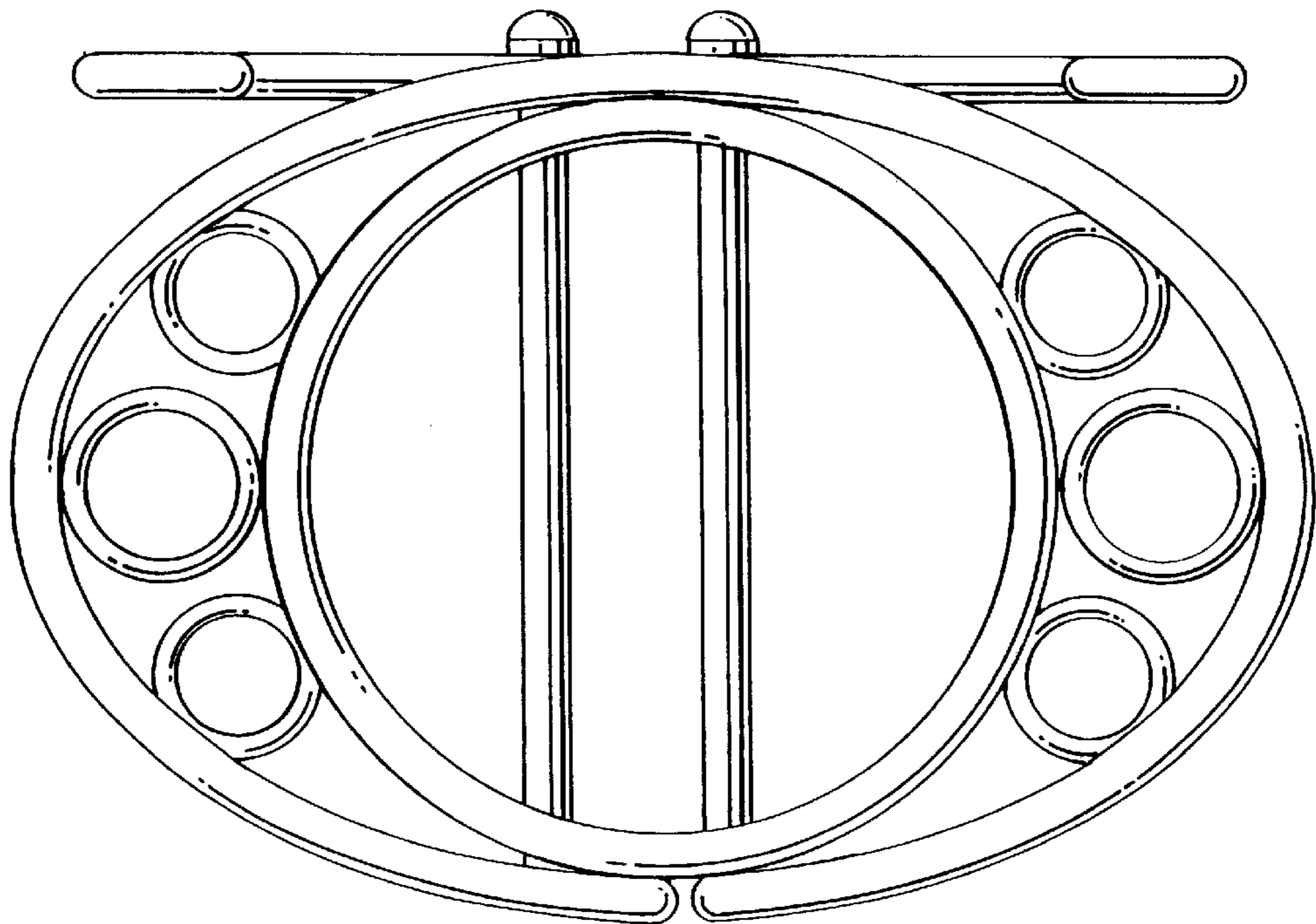


FIG. 3

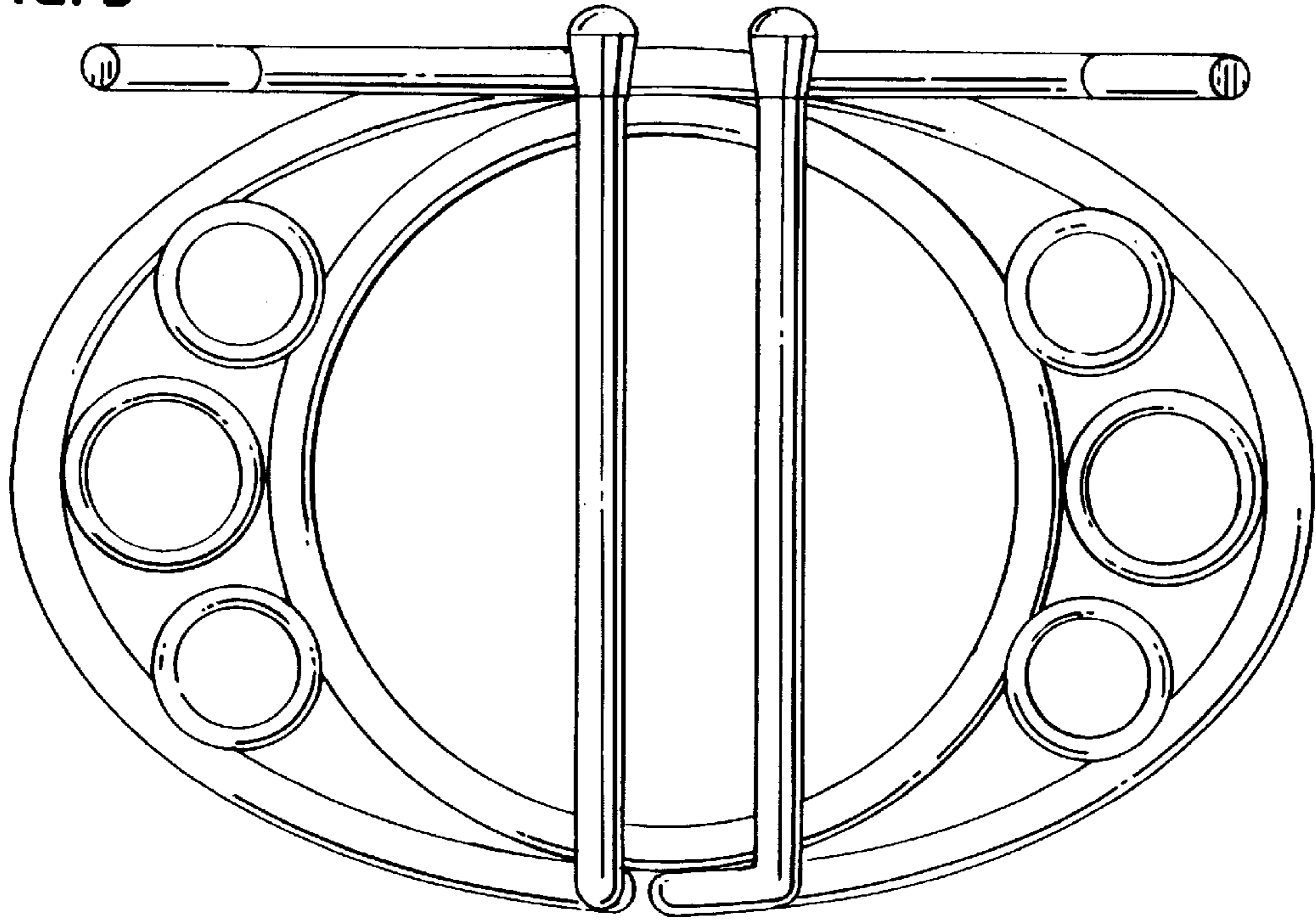


FIG. 4

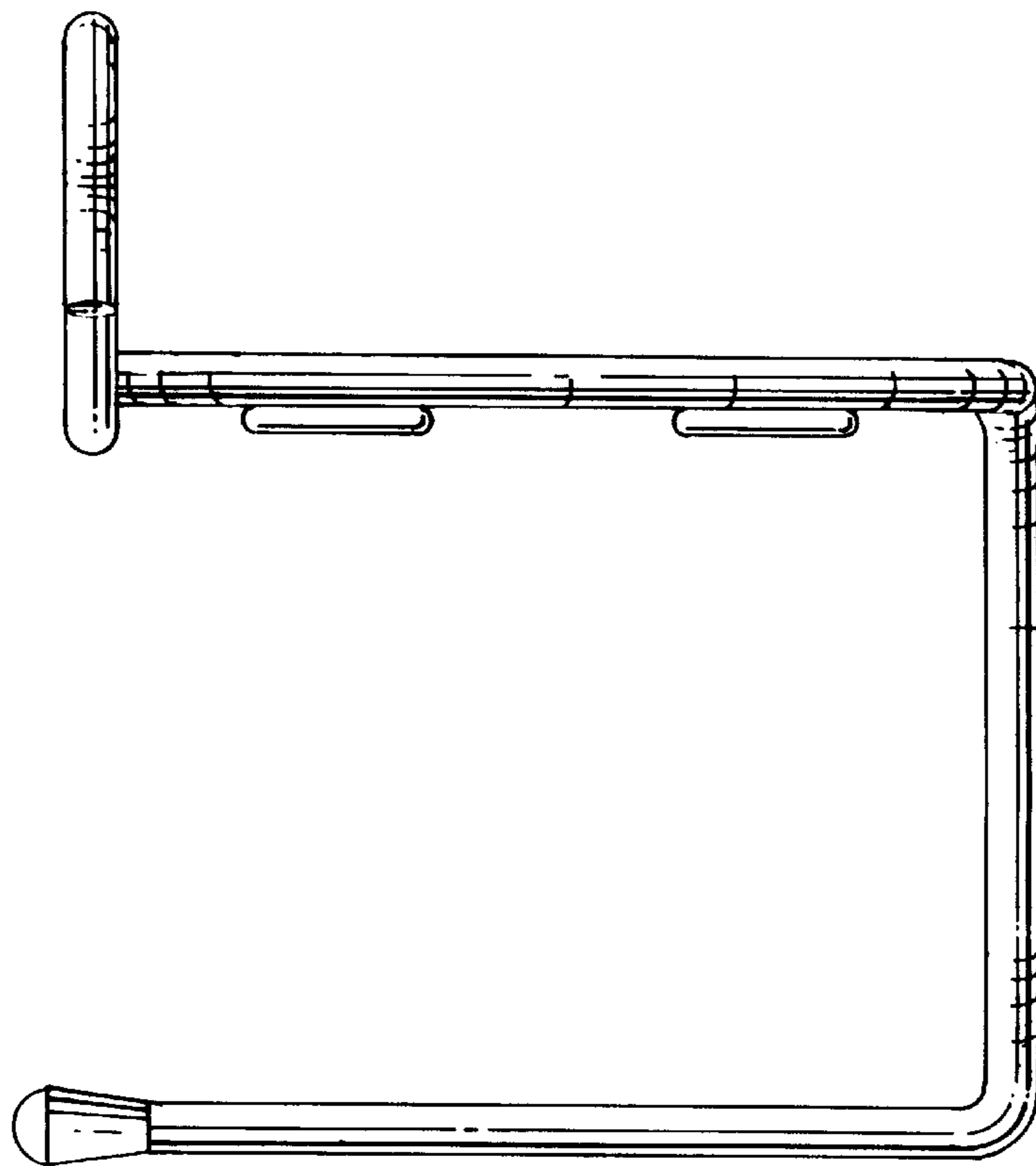


FIG. 5

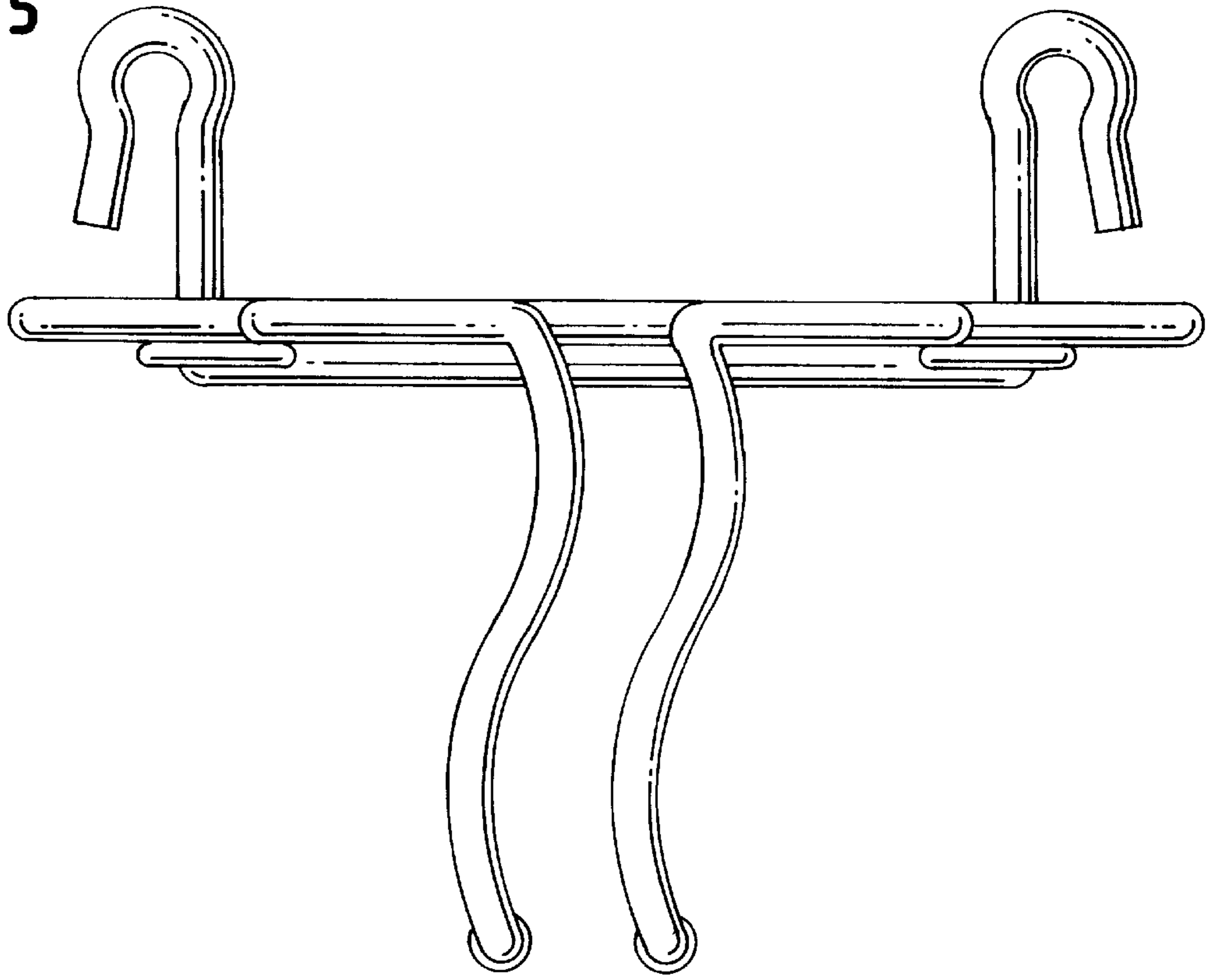


FIG. 6

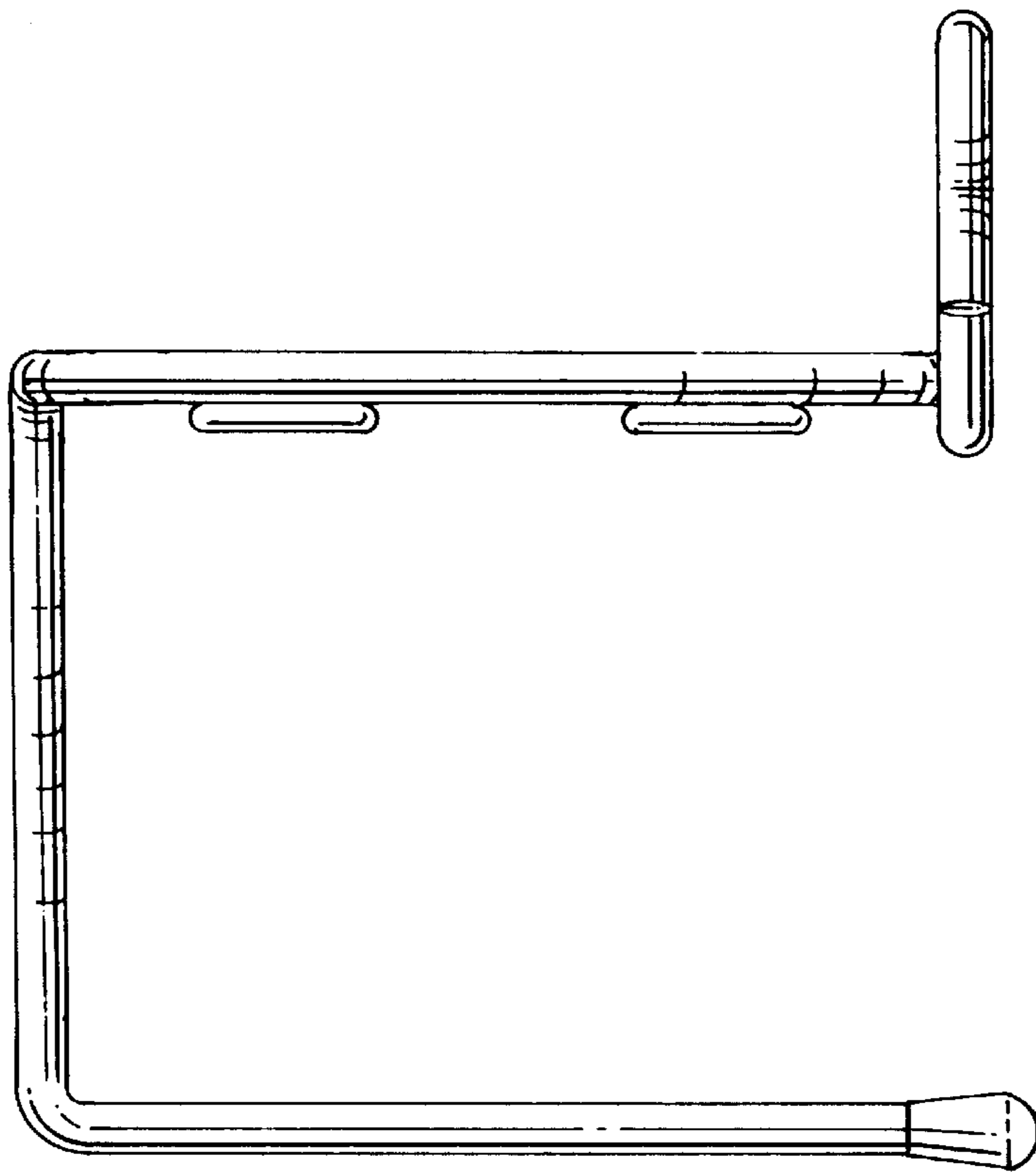


FIG. 7

