



US00D428742S

**United States Patent** [19]  
**Roberts**

[11] **Patent Number: Des. 428,742**

[45] **Date of Patent: \*\* Aug. 1, 2000**

[54] **PORTABLE TABLE**

[76] Inventor: **Jenelle Rene Roberts**, P.O. Box  
431380, Big Pine Key, Fla. 33043

[\*\*] Term: **14 Years**

[21] Appl. No.: **29/112,905**

[22] Filed: **Oct. 26, 1999**

[51] **LOC (7) Cl.** ..... **06-06**

[52] **U.S. Cl.** ..... **D6/511; D6/429**

[58] **Field of Search** ..... D6/480-489, 511,  
D6/419, 420, 406, 555, 574; 108/157.11,  
157.13; 297/145, 135, 161, 188.2; 312/208.1

[56] **References Cited**

**U.S. PATENT DOCUMENTS**

- D. 346,516 5/1994 D'Anna et al. .... D6/511
- D. 364,290 11/1995 Watts ..... D6/474
- D. 367,387 2/1996 Sweere ..... D6/511

- 4,728,147 3/1988 Dutton ..... 297/194
- 4,798,413 1/1989 Capelli ..... 297/194
- 5,038,451 8/1991 Smith ..... 29/434
- 5,927,799 7/1999 Tornero ..... 297/145

*Primary Examiner*—Janice E. Seeger

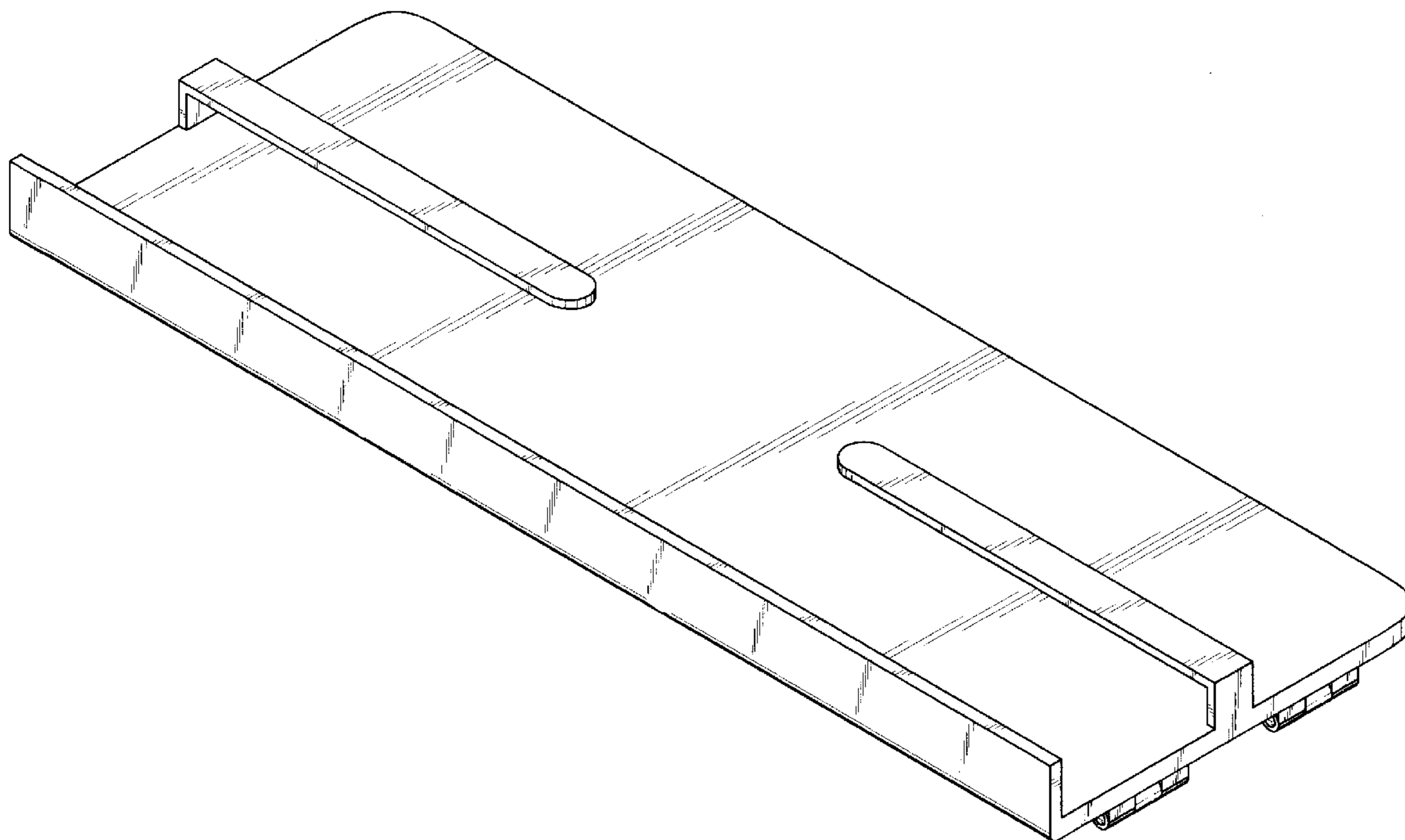
[57] **CLAIM**

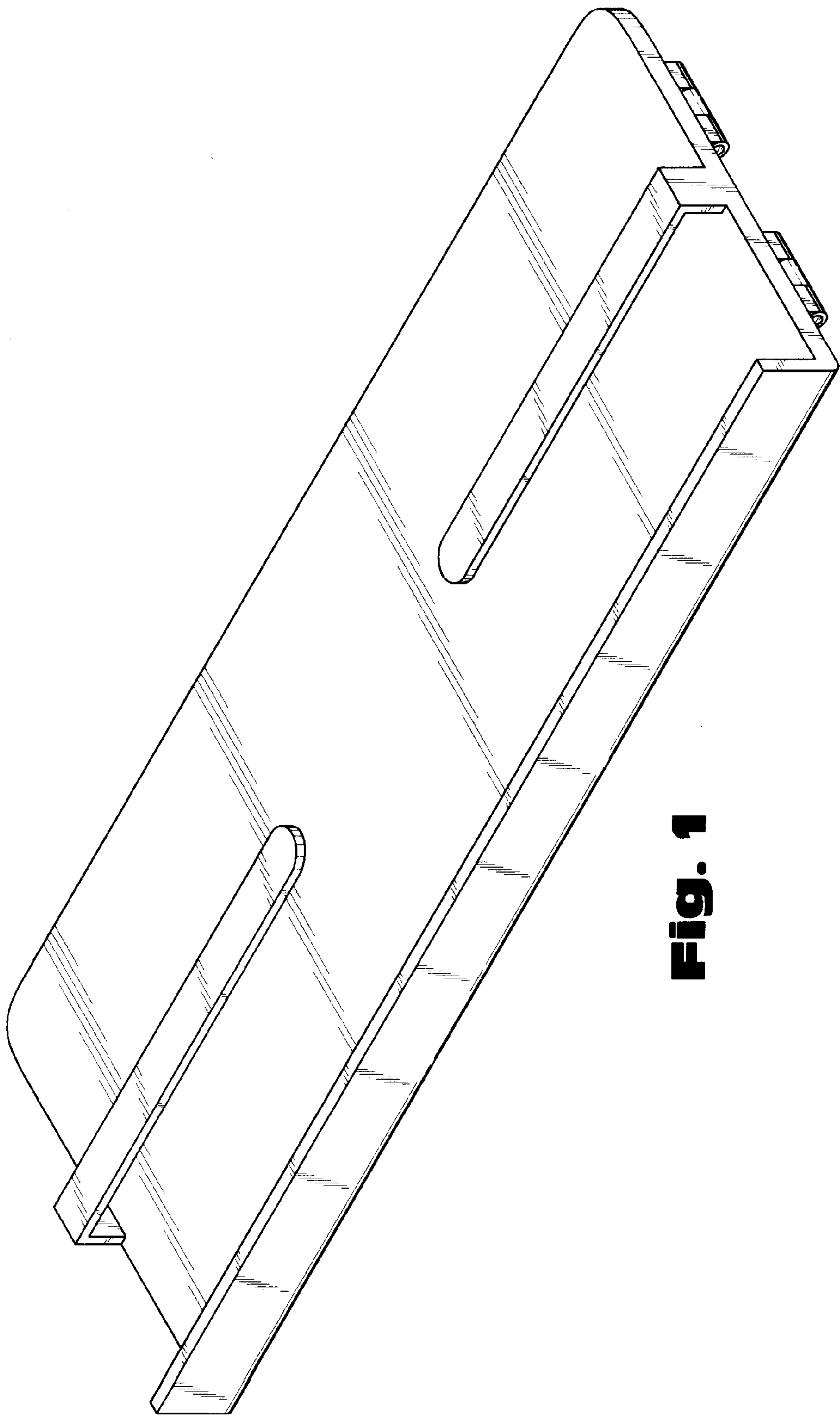
The ornamental design for a portable table, as shown and described.

**DESCRIPTION**

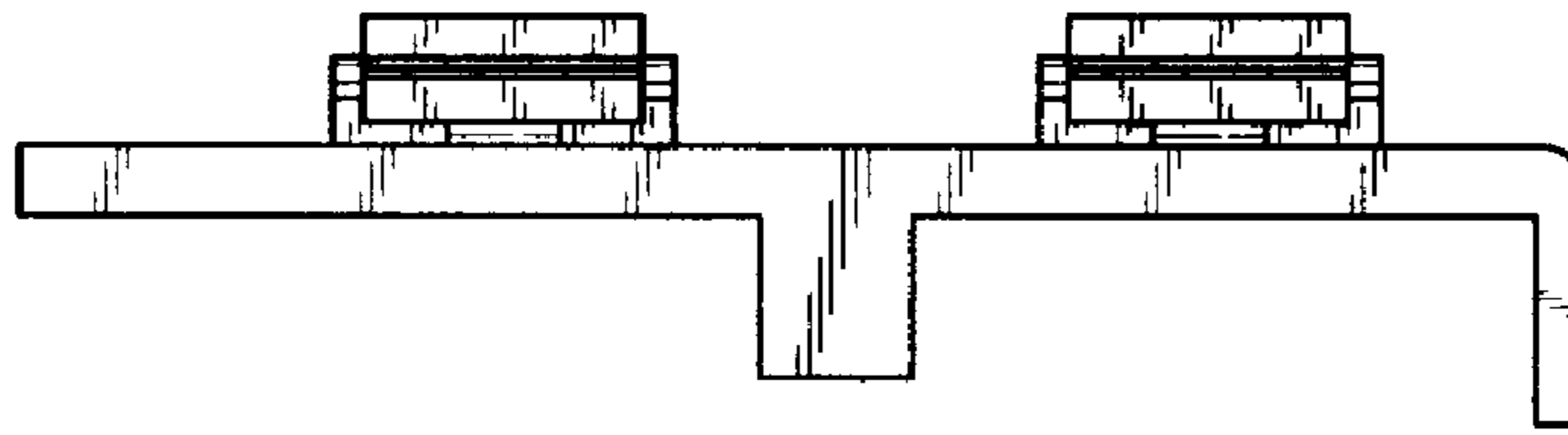
FIG. 1 is a perspective view of the portable table;  
FIG. 2 is a left side view of the portable table;  
FIG. 3 is a right side view of the portable table;  
FIG. 4 is a front view of the portable table;  
FIG. 5 is a rear view of the portable table;  
FIG. 6 is a top view of the portable table; and,  
FIG. 7 is a bottom view of the portable table.

**1 Claim, 4 Drawing Sheets**

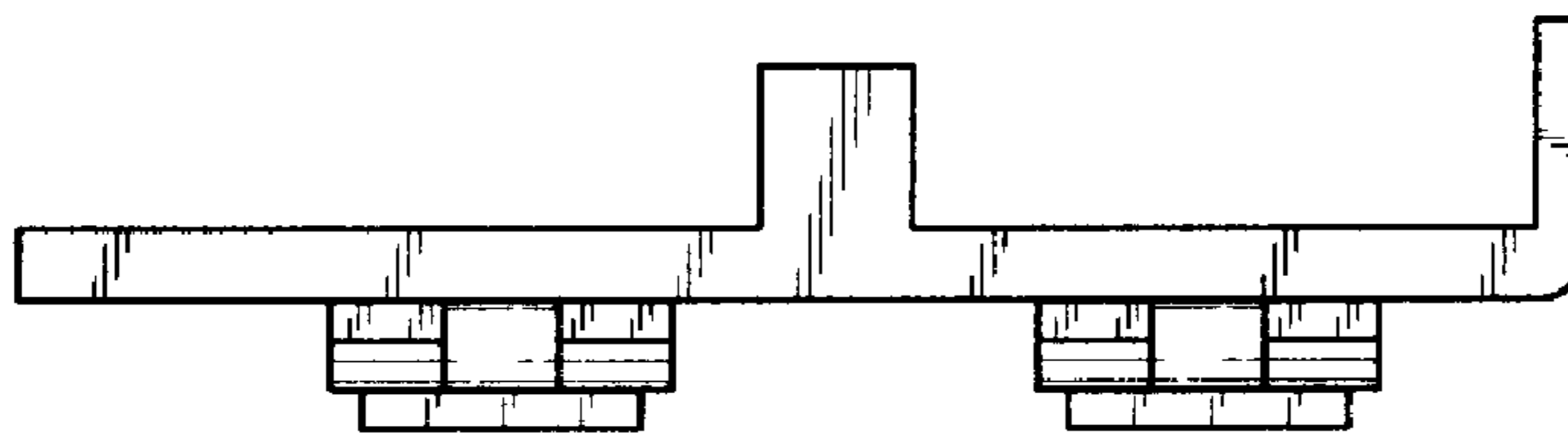




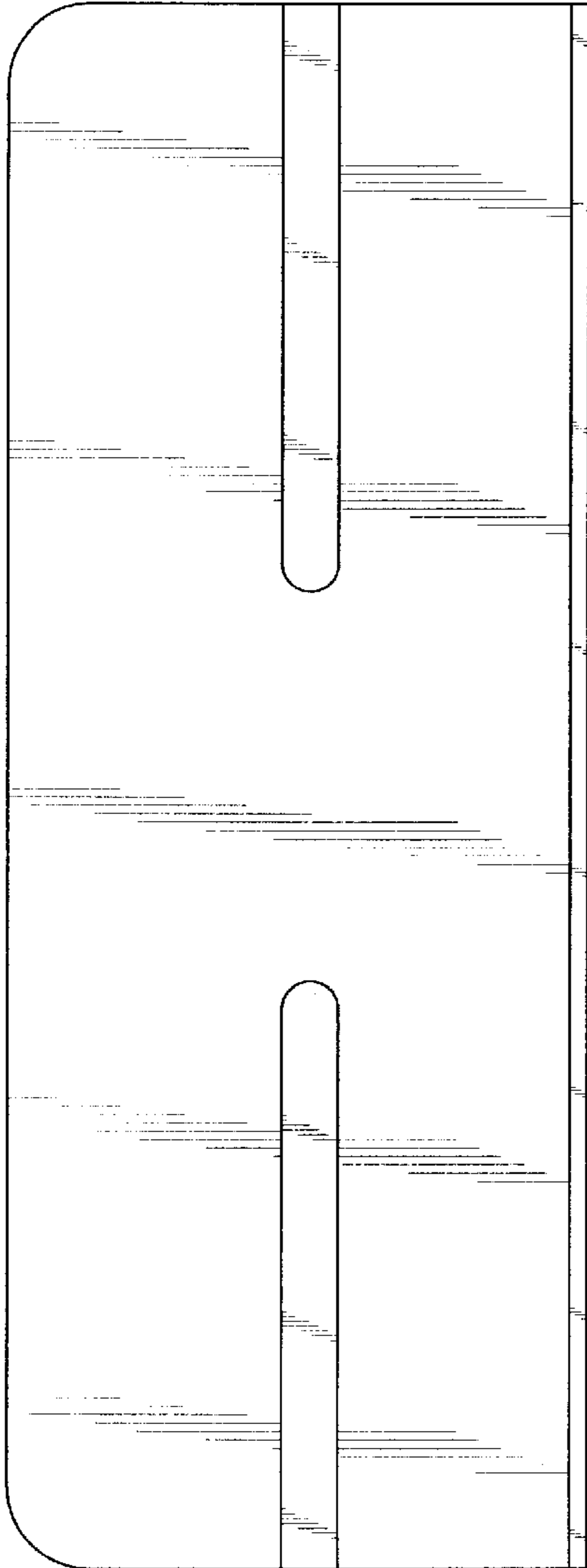
**Fig. 1**



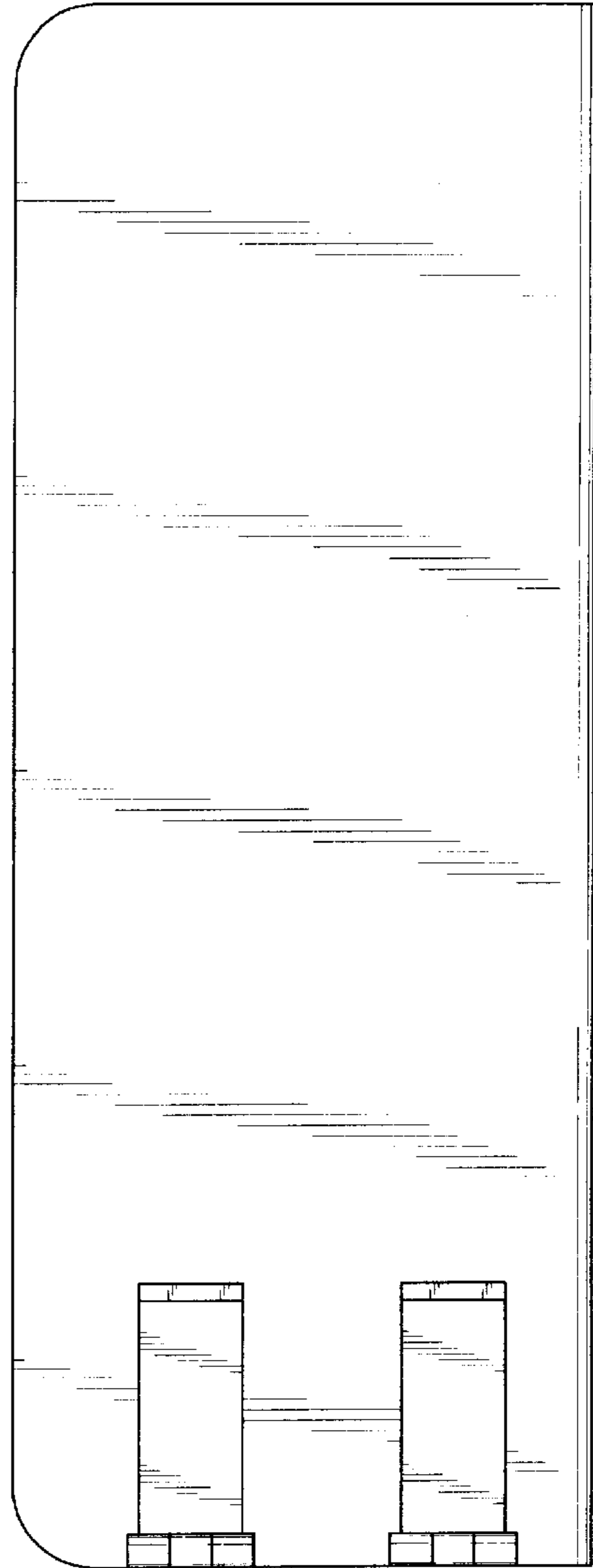
**Fig. 3**



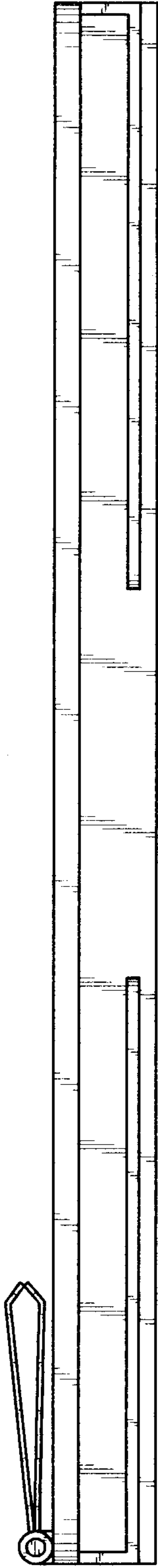
**Fig. 2**



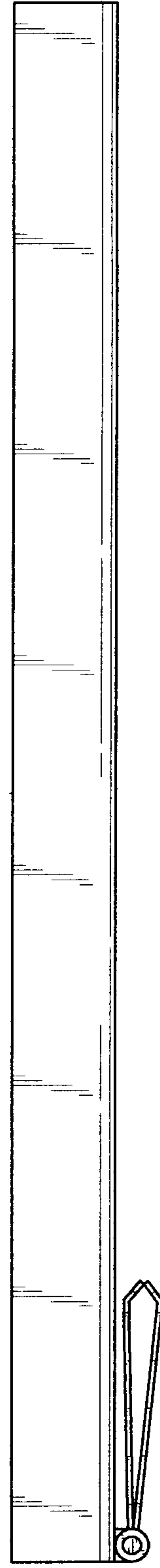
**Fig. 4**



**Fig. 5**



**Fig. 6**



**Fig. 7**