



US00D428738S

United States Patent [19]
Brozak, Jr.

[11] **Patent Number: Des. 428,738**

[45] **Date of Patent: ** Aug. 1, 2000**

- [54] **RETAIL PRODUCT DISPLAY STAND**
- [75] Inventor: **Emory Brozak, Jr.**, Strongsville, Ohio
- [73] Assignee: **American Greetings Corporation**,
Cleveland, Ohio
- [**] Term: **14 Years**
- [21] Appl. No.: **29/108,397**
- [22] Filed: **Jul. 27, 1999**

- D. 297,082 8/1988 Binder et al. D6/476 X
- D. 318,767 8/1991 Schneider et al. D6/408
- D. 321,100 10/1991 Dorrell D6/468
- 2,943,742 7/1960 Colley 211/59.2
- 3,019,907 2/1962 Belejck 211/59.3
- 4,765,492 8/1988 Howard et al. 211/55

Primary Examiner—Doris V. Coles
Assistant Examiner—Linda Brooks
Attorney, Agent, or Firm—Calfee, Halter & Griswold LLP

Related U.S. Application Data

- [62] Division of application No. 29/089,666, Jun. 19, 1998, Pat. No. Des. 412,253.
- [51] **LOC (7) Cl.** **06-04**
- [52] **U.S. Cl.** **D6/473; D6/470; D6/408**
- [58] **Field of Search** D6/476-479, 466-468, D6/470, 473, 408; 211/85.26, 59.2-59.4, 55; 312/42, 60, 61, 107, 234

[57] **CLAIM**

The ornamental design for a retail product display stand, as shown.

DESCRIPTION

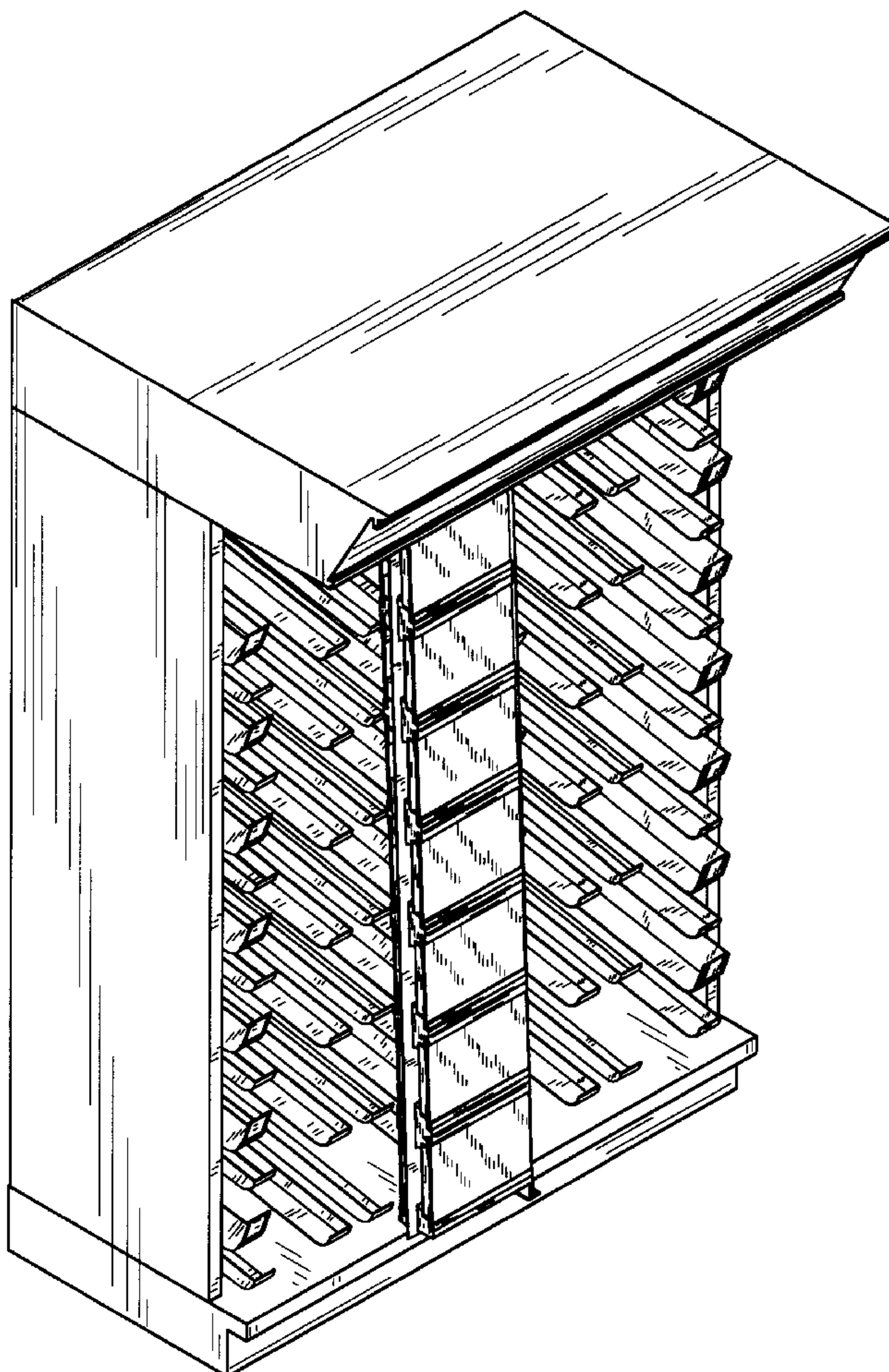
FIG. 1 is a perspective view of the retail product display stand of the present invention;
 FIG. 2 is a top view of FIG. 1;
 FIG. 3 is a side view of FIG. 1, the opposite side being a mirror image;
 FIG. 4 is a front view of FIG. 1; and,
 FIG. 5 is a front view similar to FIG. 4, with environmental features shown in broken lines for purposes of illustration only and forming no part of the claimed design.

[56] **References Cited**

U.S. PATENT DOCUMENTS

- Re. 33,913 5/1992 Kral et al. 211/59.2
- D. 201,330 6/1965 Kolstad D6/408

1 Claim, 2 Drawing Sheets



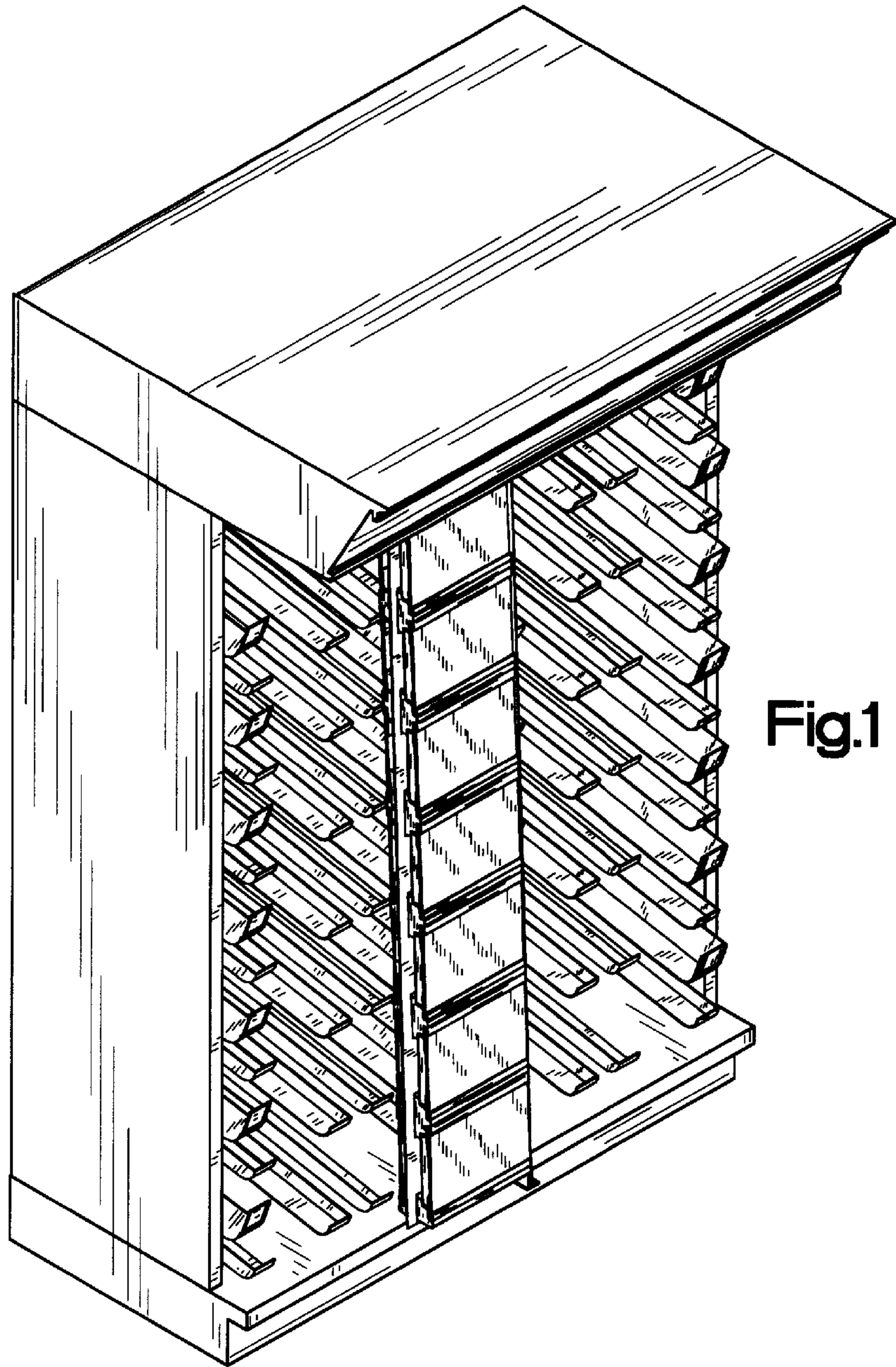


Fig.1

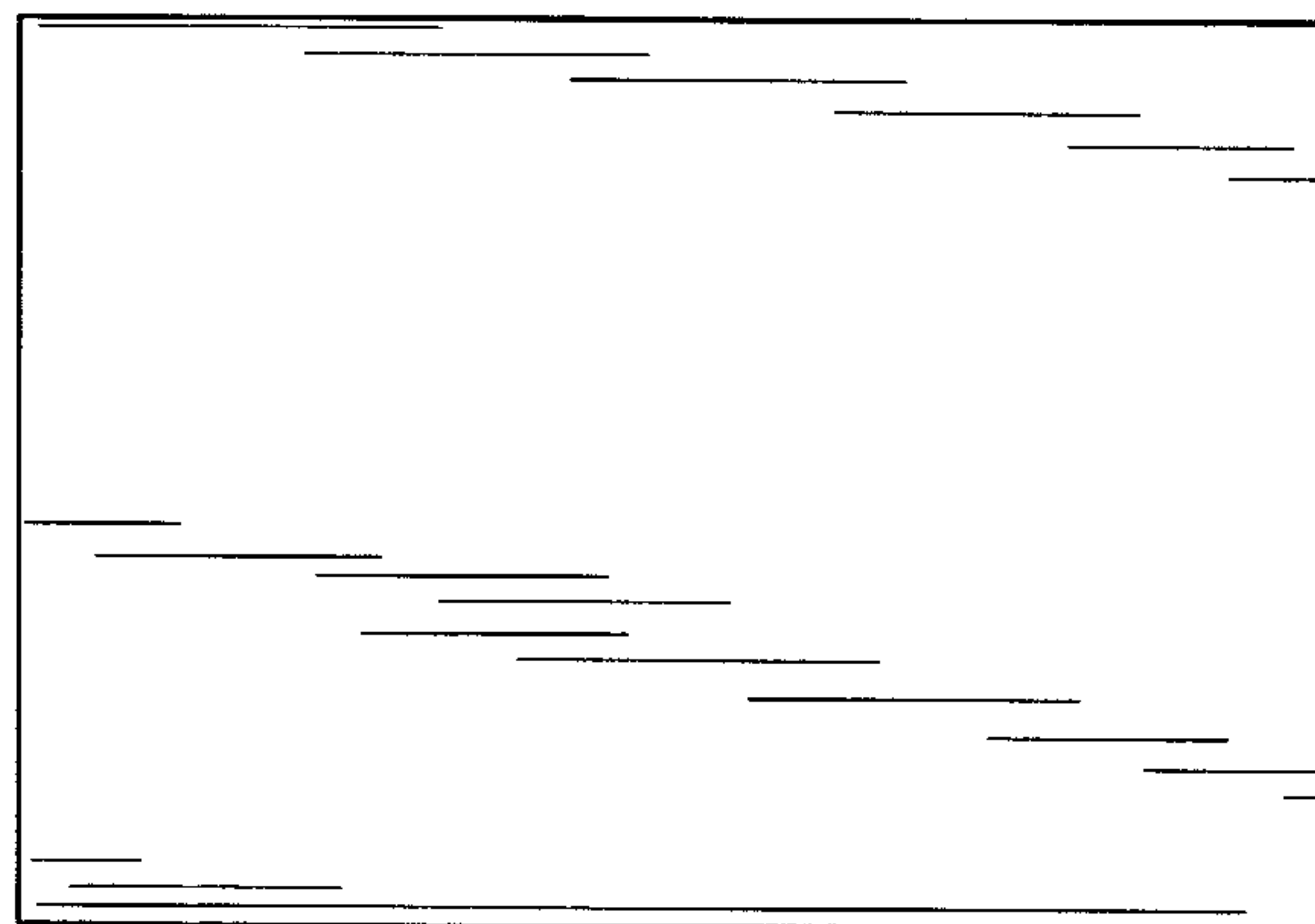


Fig.2

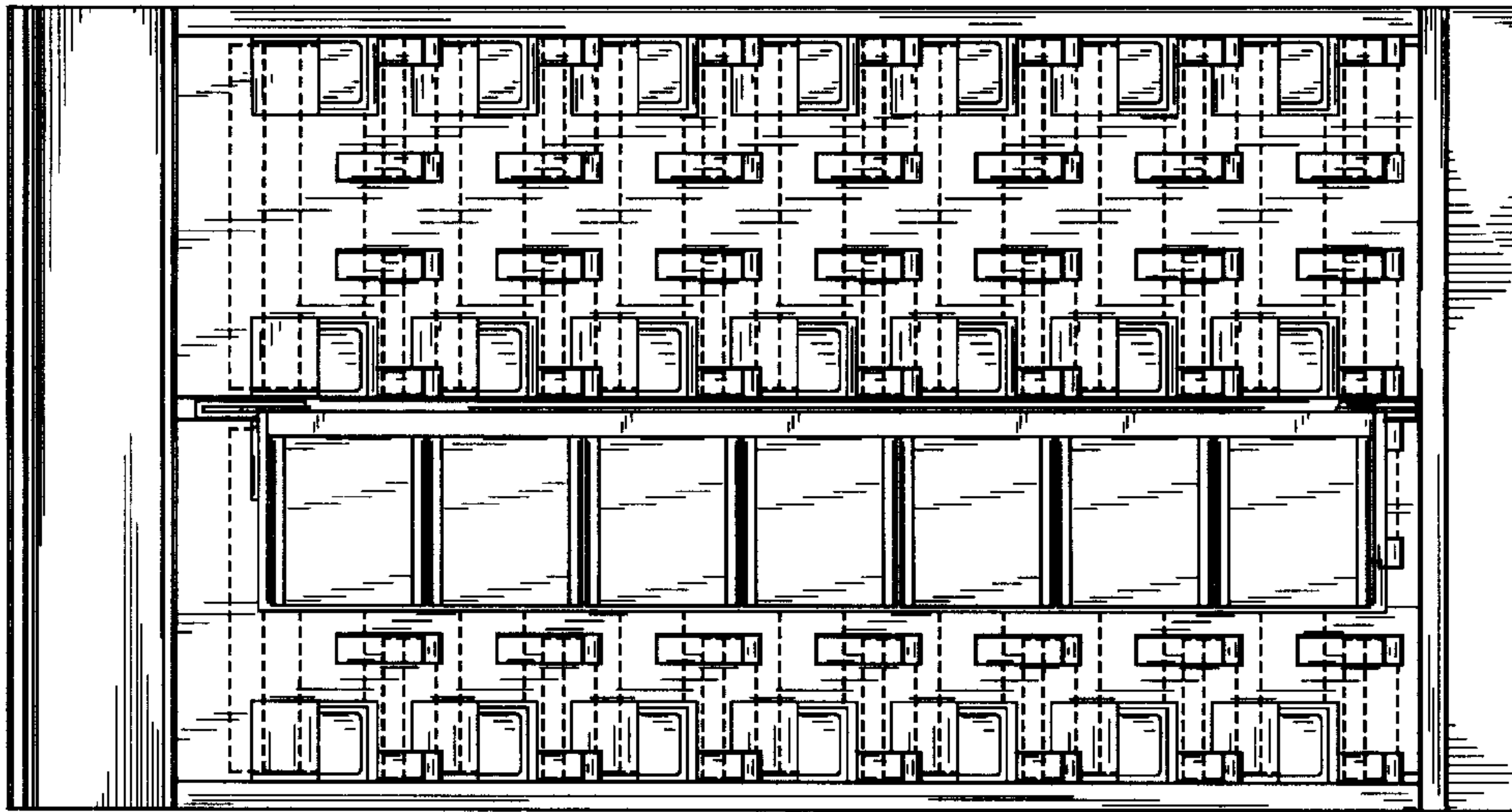


Fig.5

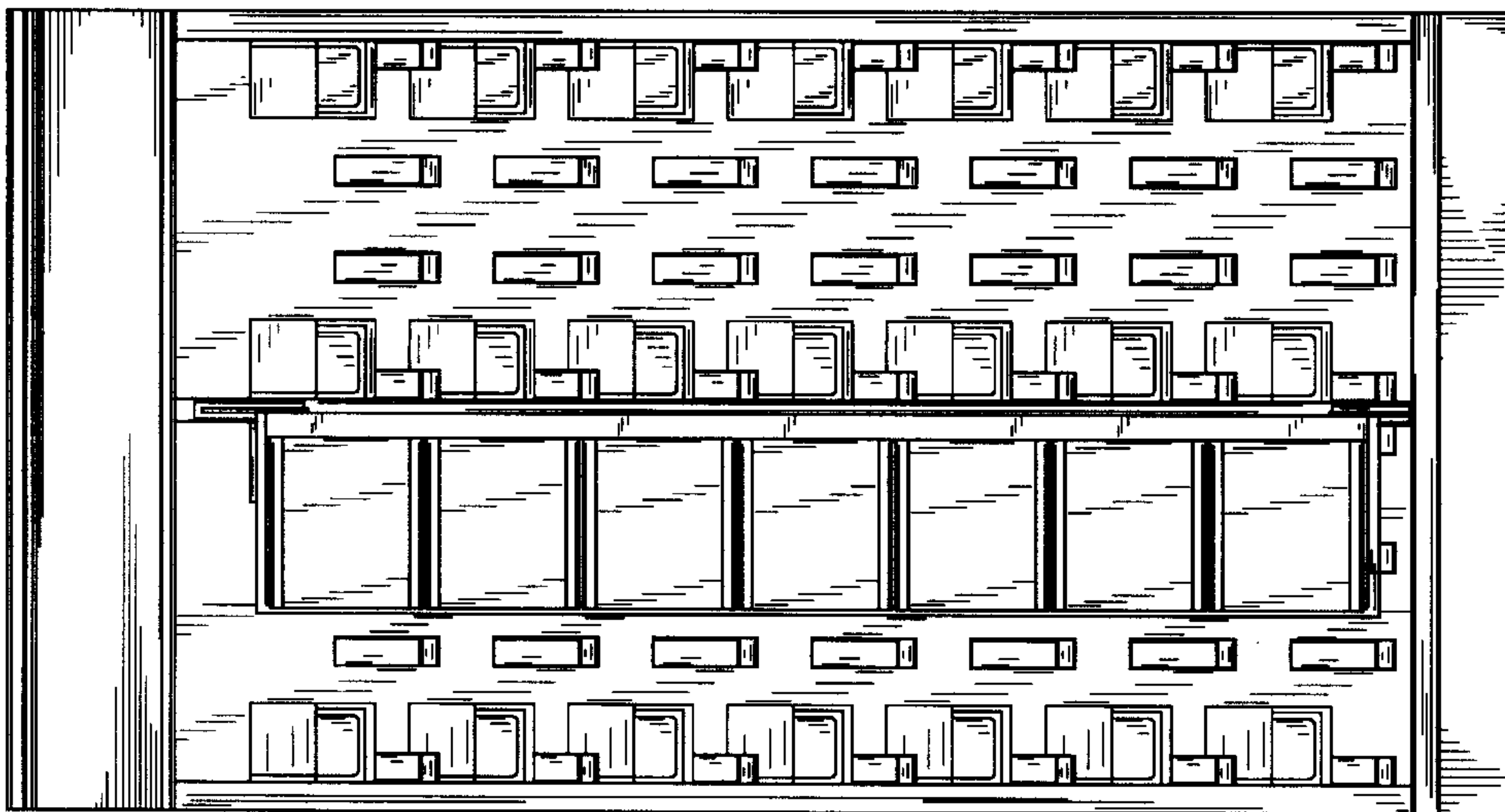


Fig.4

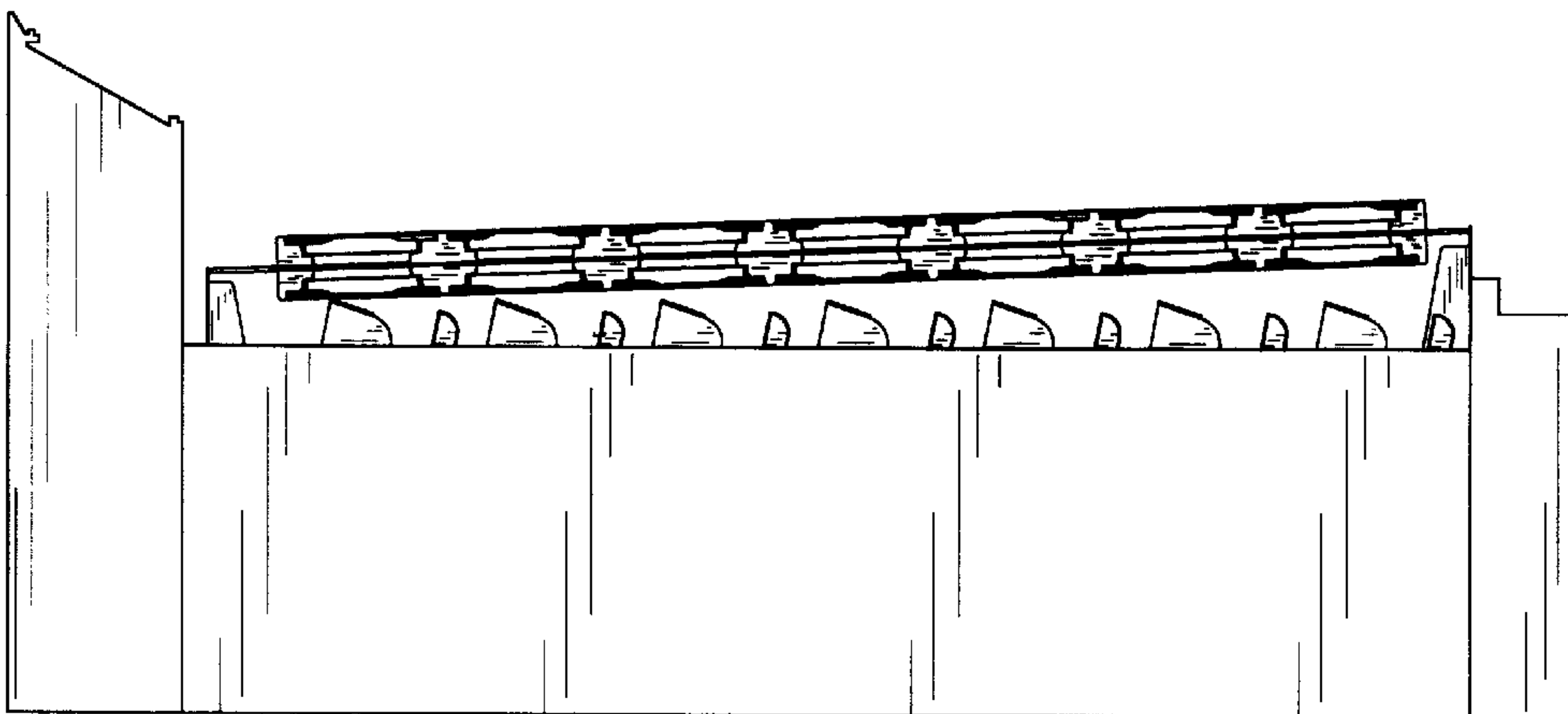


Fig.3