



US00D428732S

United States Patent [19]

[11] **Patent Number: Des. 428,732**

Roddan

[45] **Date of Patent: ** Aug. 1, 2000**

[54] **CANTILEVERED, ADJUSTABLE, PORTABLE COMPUTER DESK**

2,640,748 6/1953 Holmberg 108/6
3,094,949 6/1963 Oom 108/32

[76] Inventor: **Allison C. Roddan**, 228 Monarch Bay,
Monarch Beach, Calif. 92629-3435

Primary Examiner—Cathron B. Matta

[**] Term: **14 Years**

[57] CLAIM

[21] Appl. No.: **29/095,545**

The ornamental design for a cantilevered, adjustable, portable computer desk, as shown and described.

[22] Filed: **Oct. 26, 1998**

DESCRIPTION

[51] **LOC (7) Cl.** **06-04**

FIG. 1 shows a perspective view of the invention.
FIG. 2 depicts a top view shown at a reduced scale.

[52] **U.S. Cl.** **D6/431**

FIG. 3 shows a back view at a reduced scale.

[58] **Field of Search** D6/421-431, 406.1,
D6/406.2; 108/5, 6, 25, 32, 43, 92; 248/188.5,
449

FIG. 4 is a view from the bottom at a reduced scale.

FIG. 5 is a left to review at a redeuced scale; and,

FIG. 6 is a right view at a reduced scale.

[56] References Cited

Any broken lines showing environmental structures are for illustrative purposes only and form no part of the claimed design.

U.S. PATENT DOCUMENTS

The surfaces or portions of the article not shown in the drawing or described in the specification form no part of the claimed design.

D. 135,341	3/1943	Hillenbrand	D6/406.2
D. 198,168	5/1964	Armstrong	D6/406.2
D. 308,922	7/1990	Ng et al.	D6/429
D. 406,201	3/1999	Olson et al.	D6/426
D. 409,020	5/1999	Hardin	D6/429 X

1 Claim, 2 Drawing Sheets

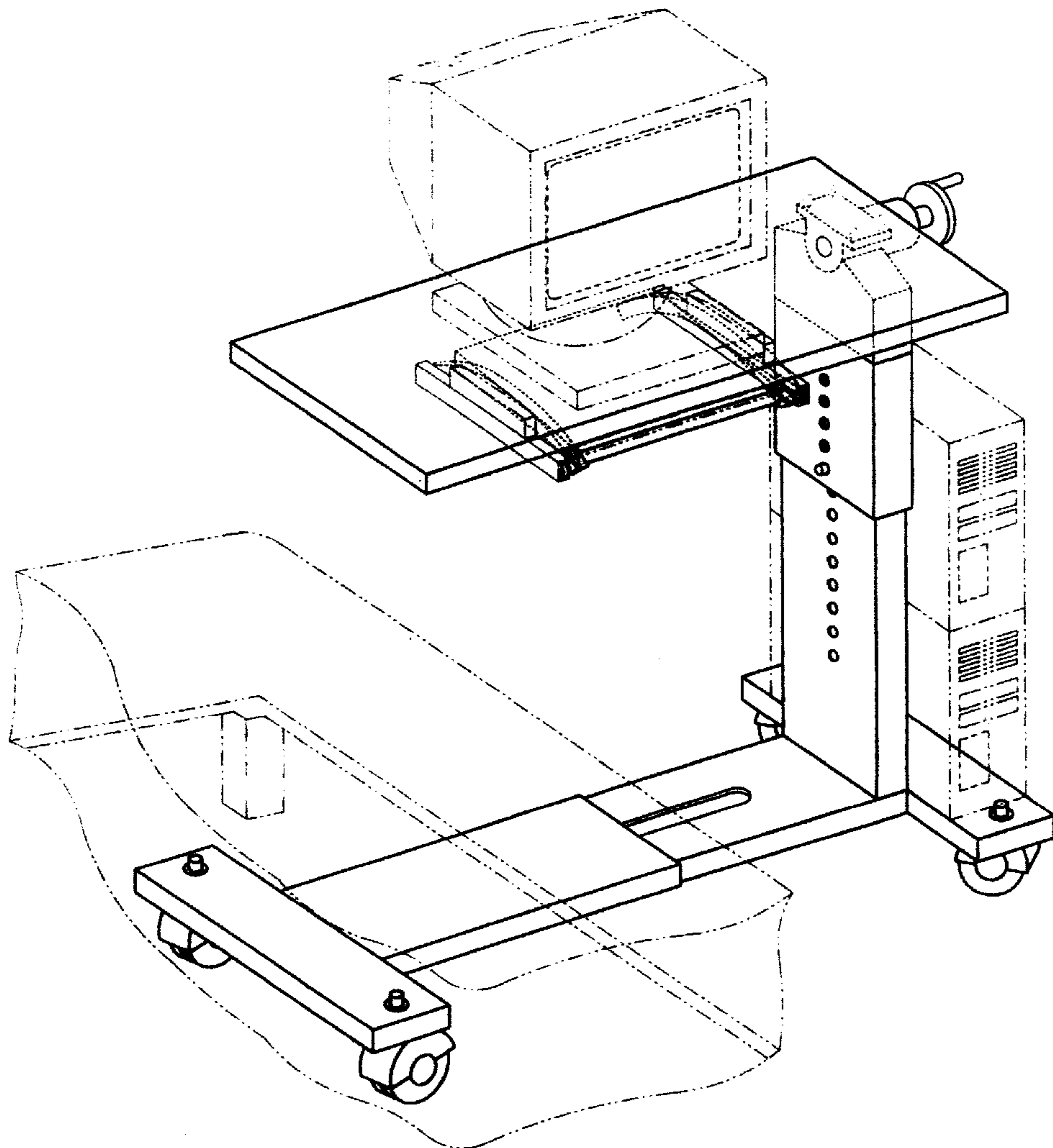


FIG. 1

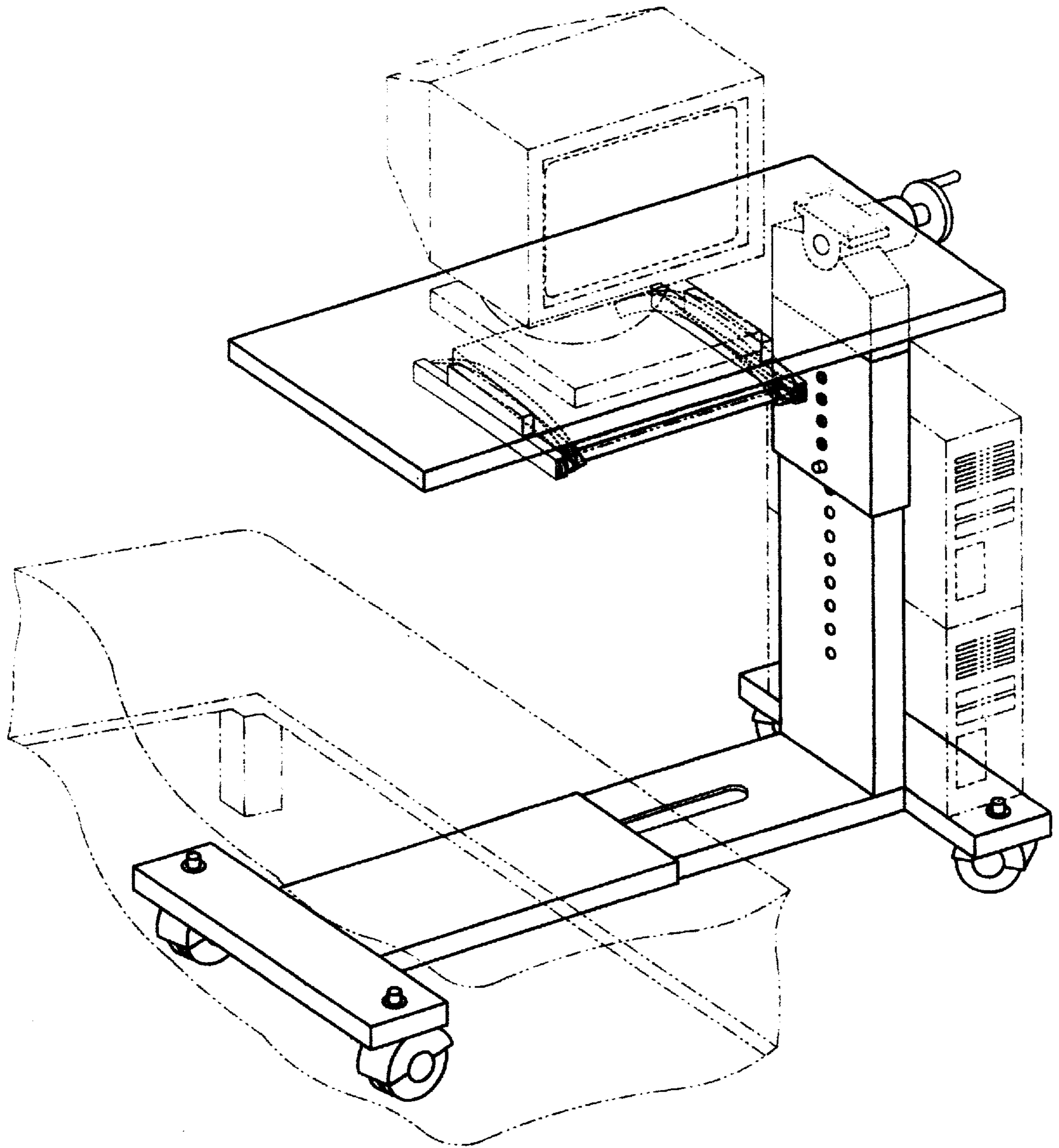


FIG. 2

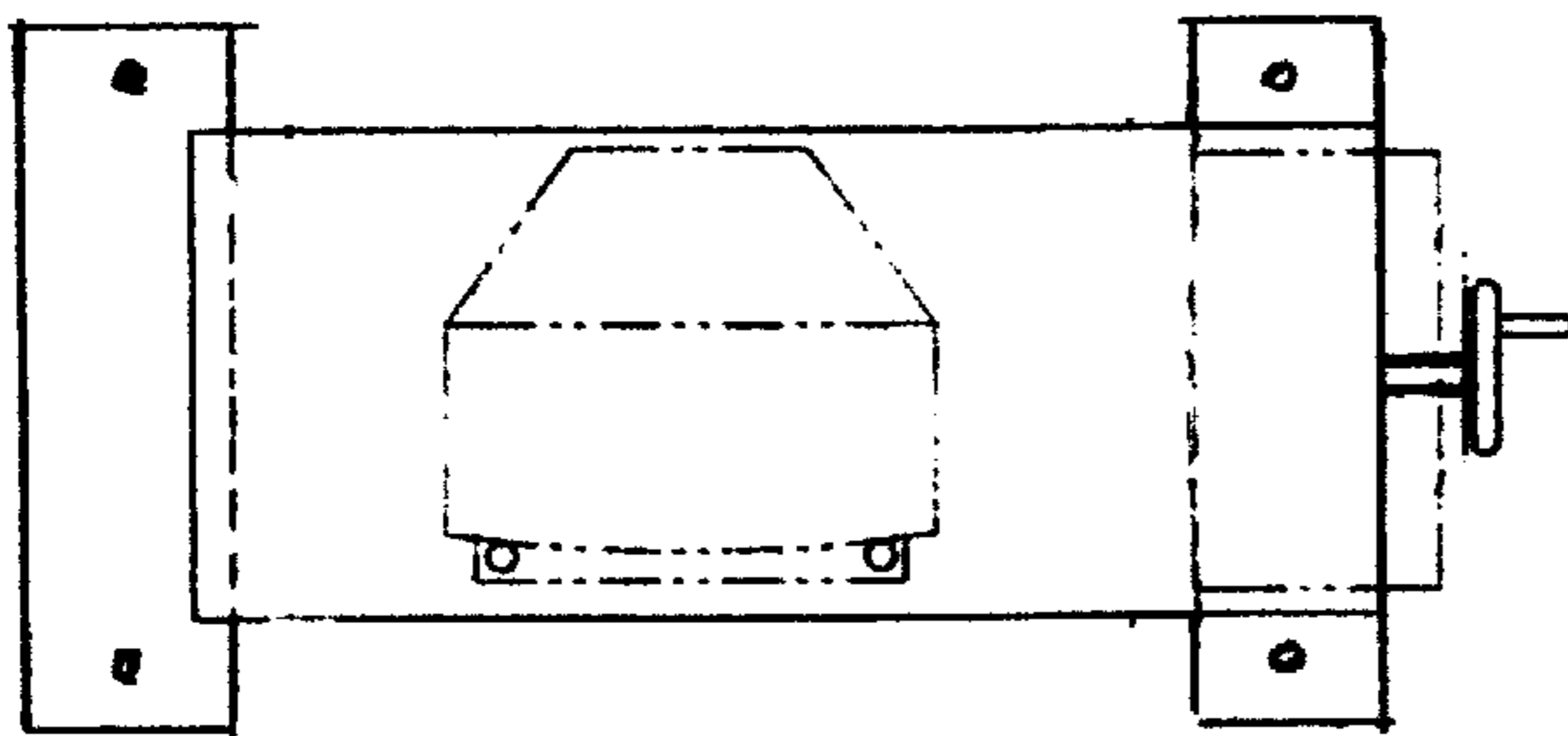


FIG. 5

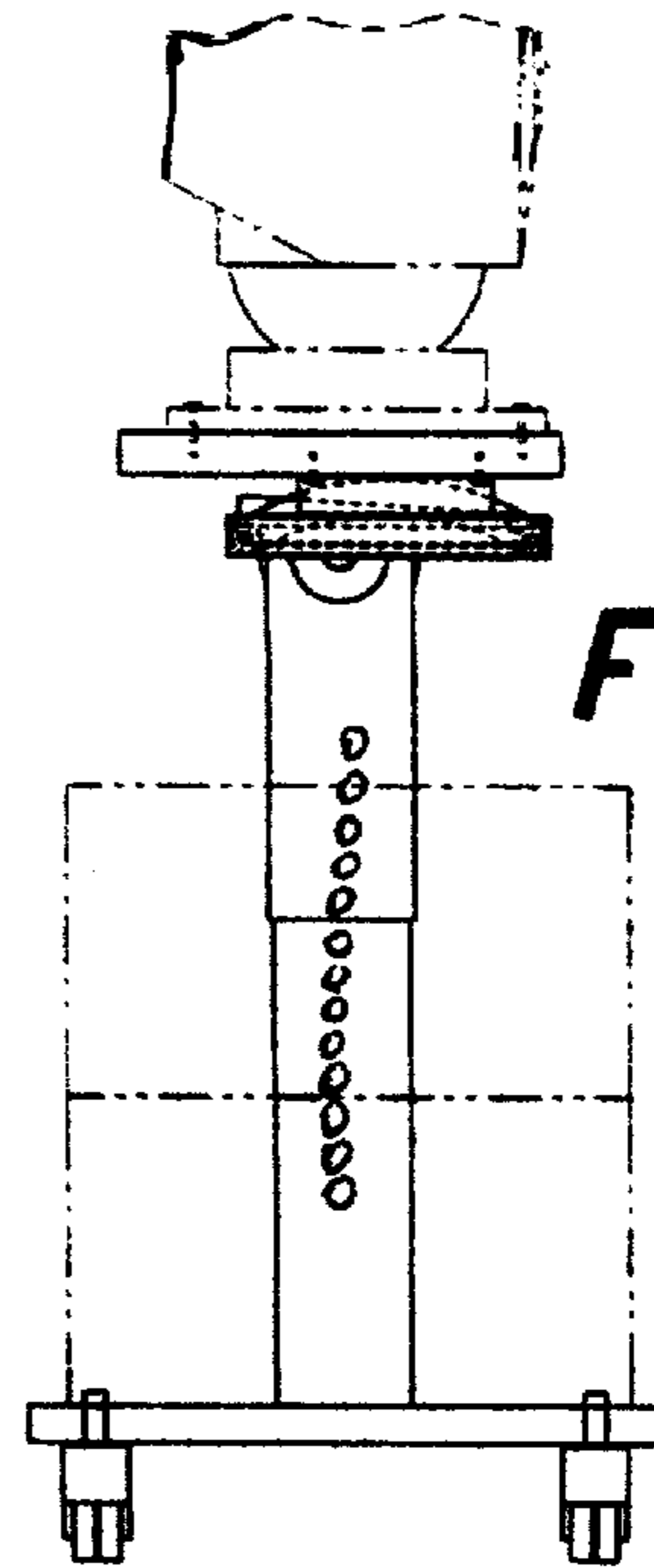


FIG. 3

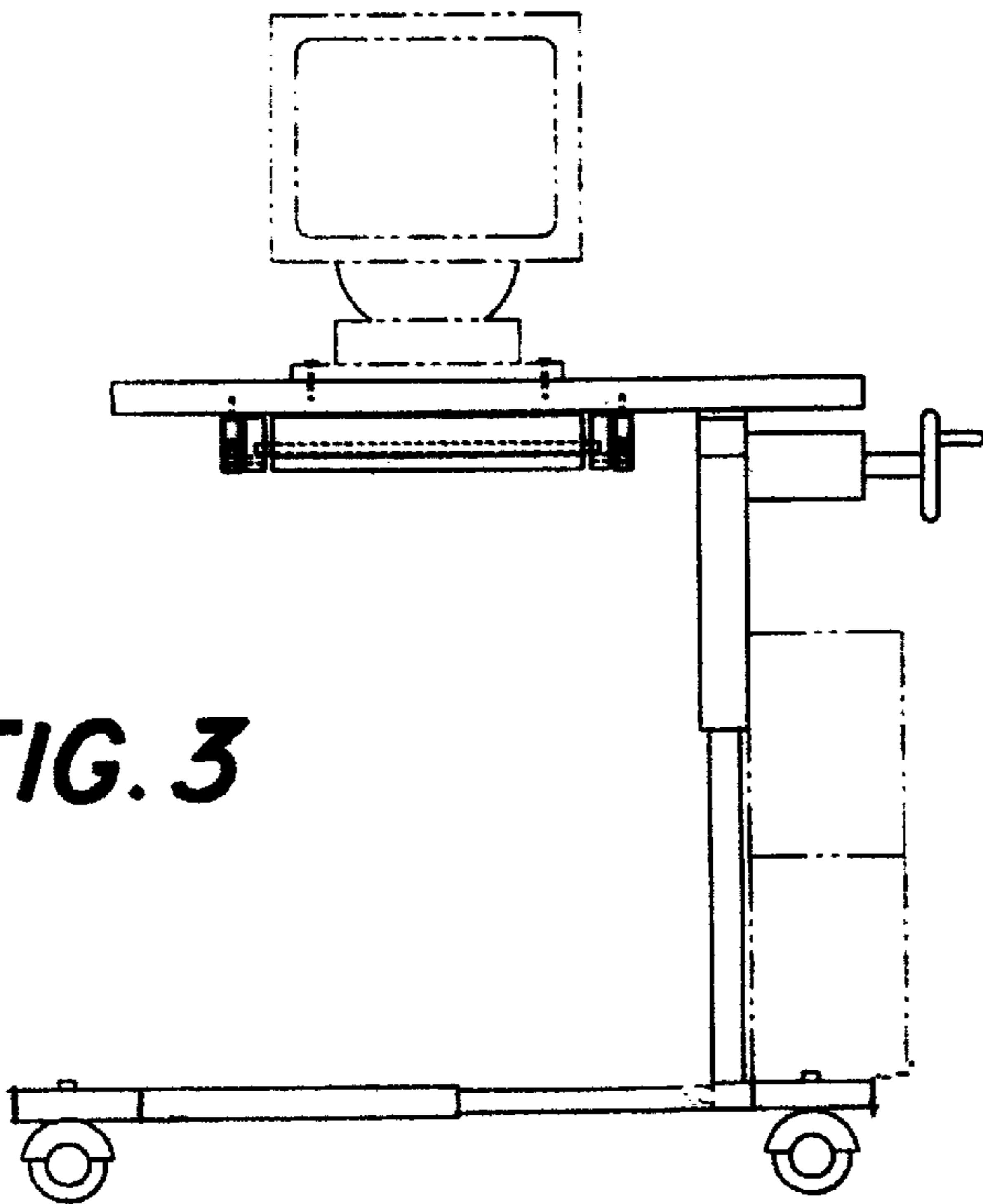


FIG. 6

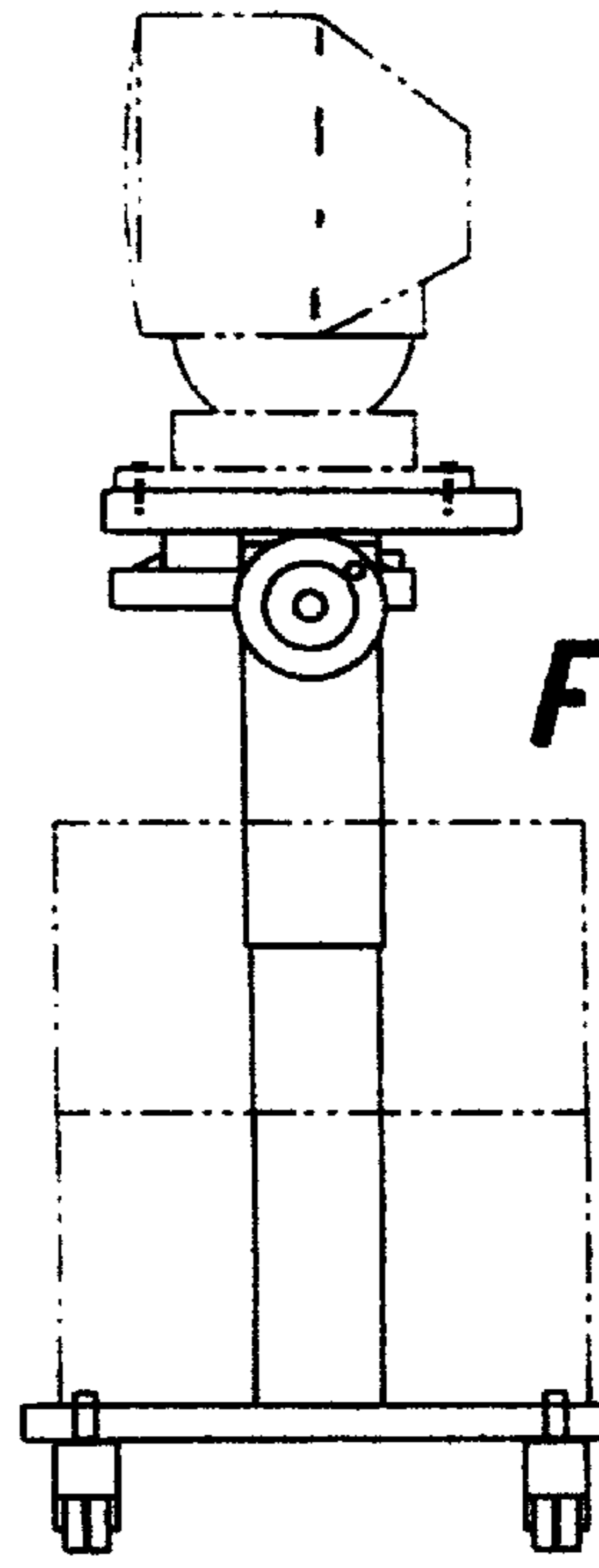


FIG. 4

