



US00D428729S

# United States Patent [19]

Weitzman et al.

[11] **Patent Number: Des. 428,729**

[45] **Date of Patent: \*\* Aug. 1, 2000**

[54] **PORTABLE COLLAPSIBLE LAPTOP COMPUTER TABLE**

D. 383,918	9/1997	Prince .....	D6/406.3
D. 385,126	10/1997	Howland et al. ....	D6/406.6
D. 404,219	1/1999	Patterson .....	D6/406.6

[75] Inventors: **Maxim Weitzman**, Los Angeles; **Ravi K. Sawhney**; **Hiroto Teranishi**, both of Calabasas; **Christopher W. Glupker**, Van Nuys; **Juan P. Cilia**; **Kurt G. Botsai**, both of Thousand Oaks; **Nasahn A. Sheppard**, Woodland Hills; **John F. Zinni**, Capistrano Beach, all of Calif.

*Primary Examiner*—M. N. Pandozzi  
*Attorney, Agent, or Firm*—Jack C. Munro

### [57] CLAIM

The ornamental design for portable collapsible laptop computer table, as shown and described.

[73] Assignee: **Intrigo, Inc.**, Thousand Oaks, Calif.

### DESCRIPTION

[\*\*] Term: **14 Years**

FIG. 1 is a front perspective view of the portable collapsible laptop computer table in an opened configuration, as it would normally be used, showing my new design;

[21] Appl. No.: **29/115,588**

FIG. 2 is a front elevational view thereof;

[22] Filed: **Dec. 17, 1999**

FIG. 3 is a right side elevational view thereof with the left side view being identical;

[51] **LOC (7) Cl.** ..... **06-06**

[52] **U.S. Cl.** ..... **D6/406.6; D6/406.5**

[58] **Field of Search** ..... D6/406.3, 406.4, D6/406.5, 511, 406.6; D7/553.4, 553.3, 553.2, 553.5, 545; D19/92; D12/416; 108/43.44; 297/148; D3/274, 281, 288

FIG. 4 is a rear elevational view thereof;

FIG. 5 is a top plan view thereof;

FIG. 6 is a bottom plan view thereof; and,

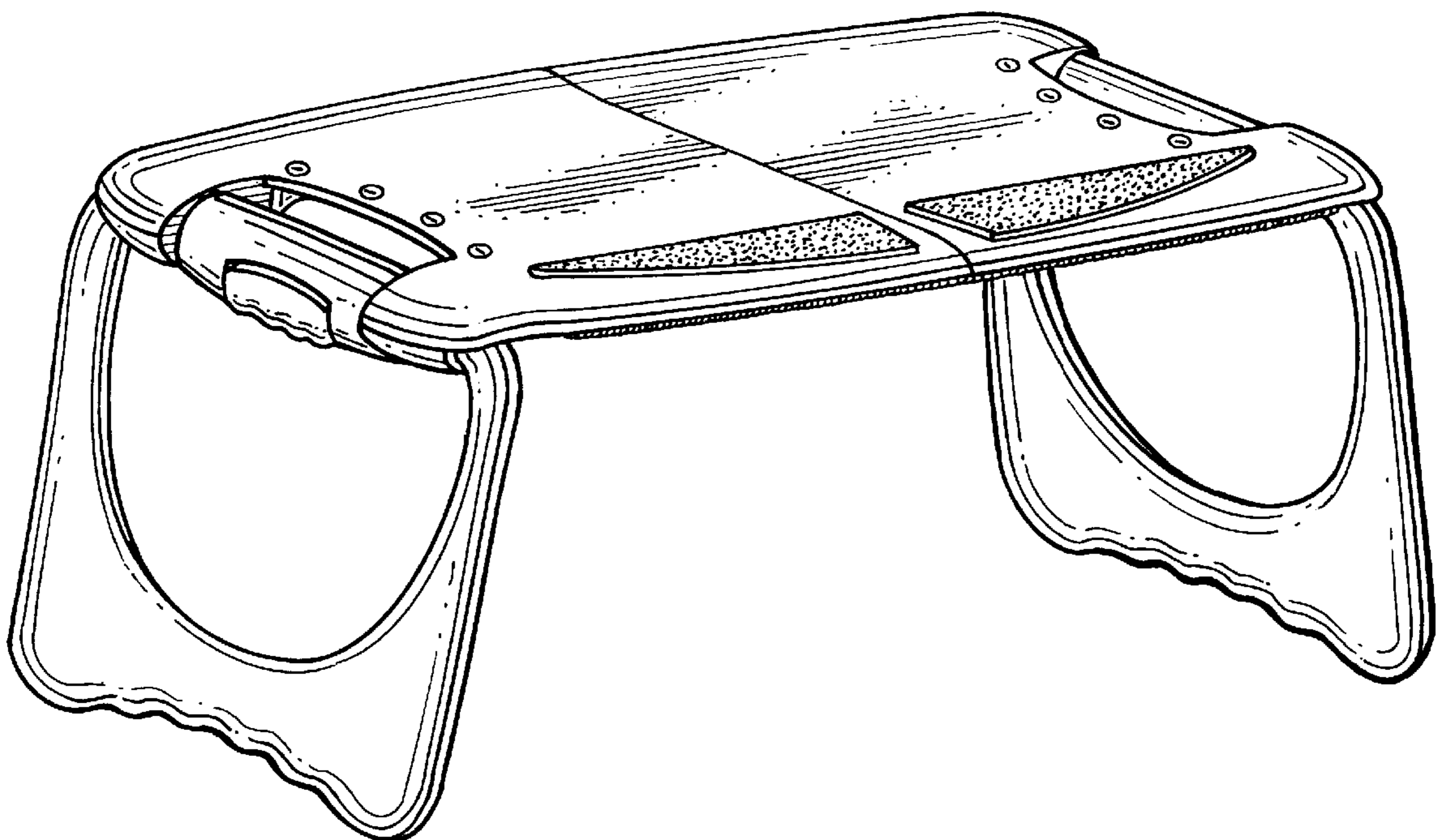
FIG. 7 is a front perspective view thereof in a collapsed alternate position.

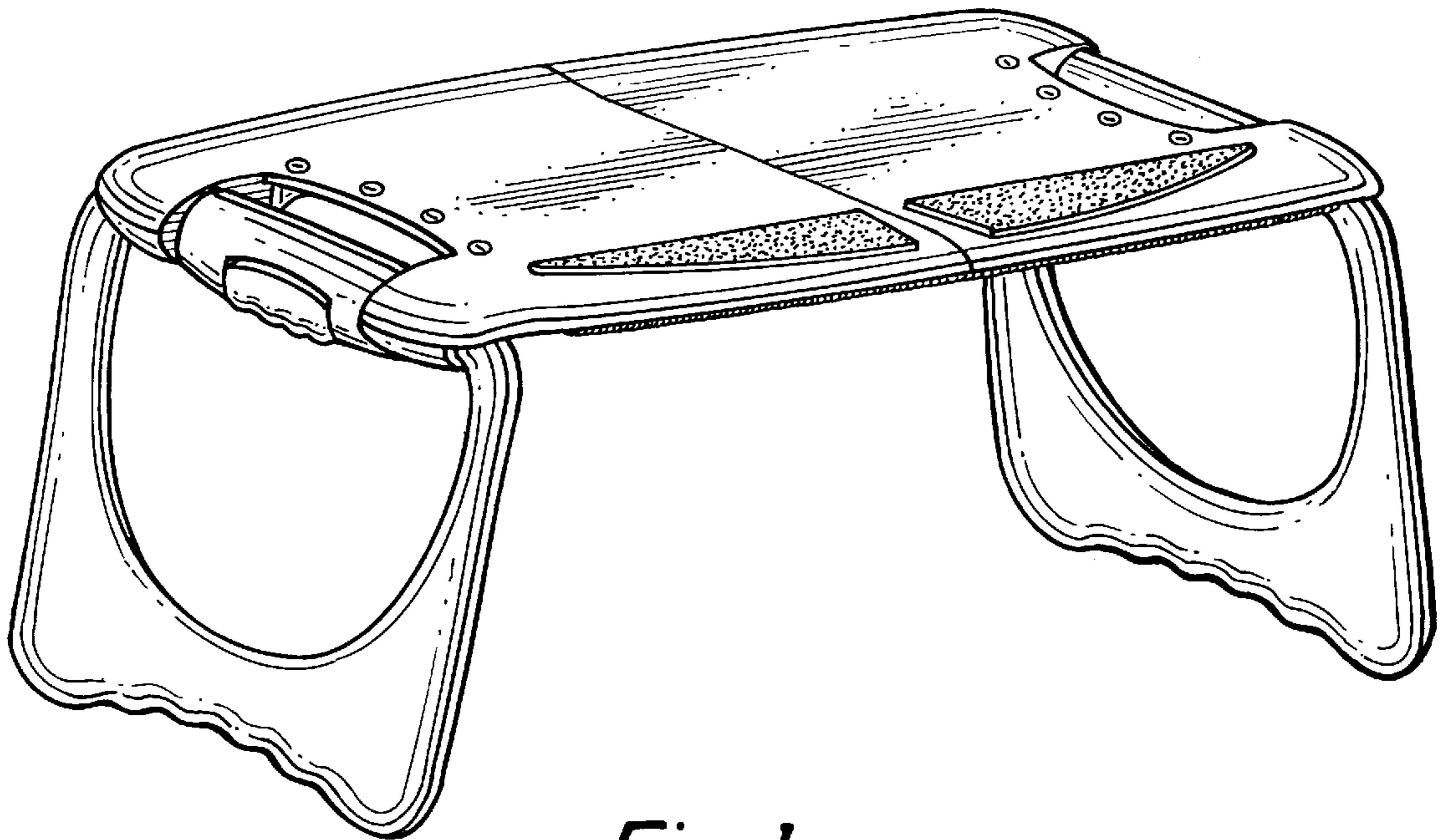
### [56] References Cited

#### U.S. PATENT DOCUMENTS

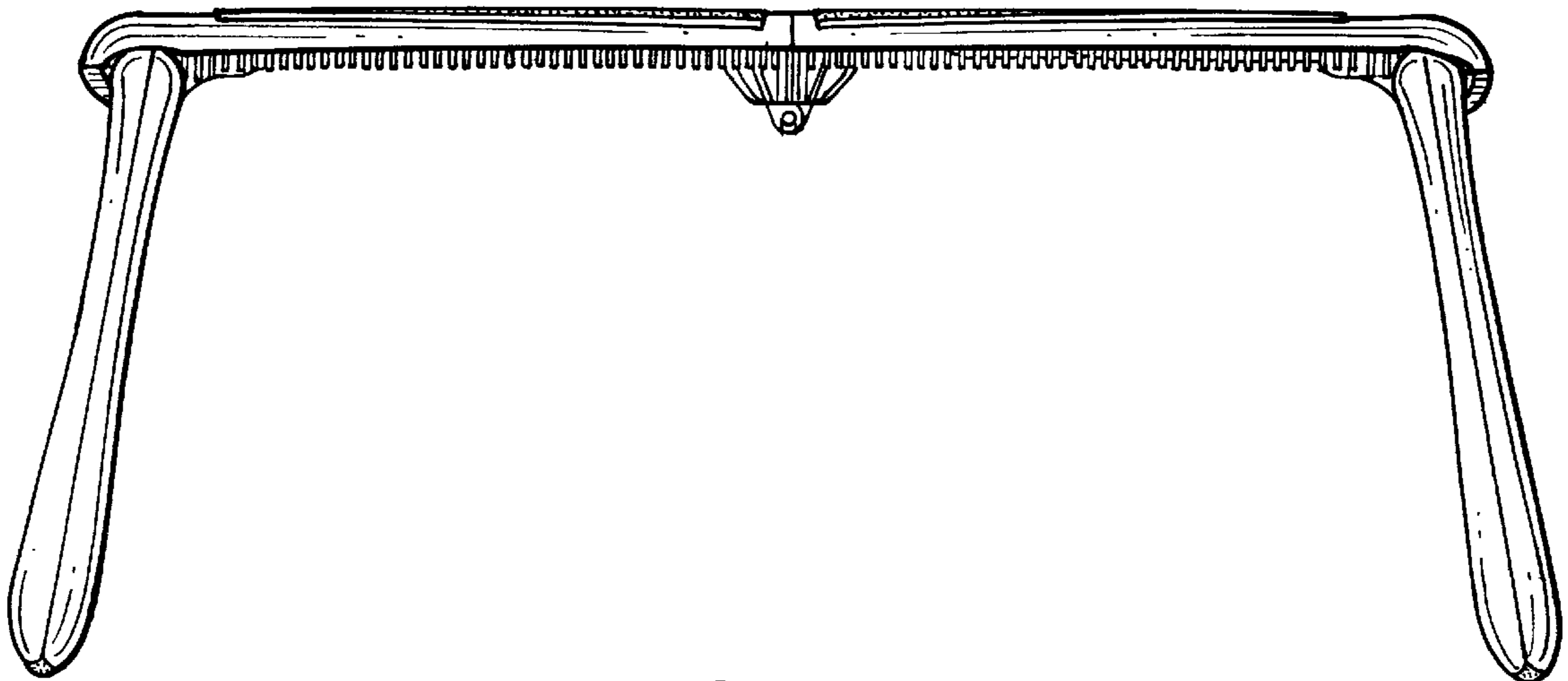
D. 355,786 2/1995 Wolff ..... D6/406.5

**1 Claim, 4 Drawing Sheets**

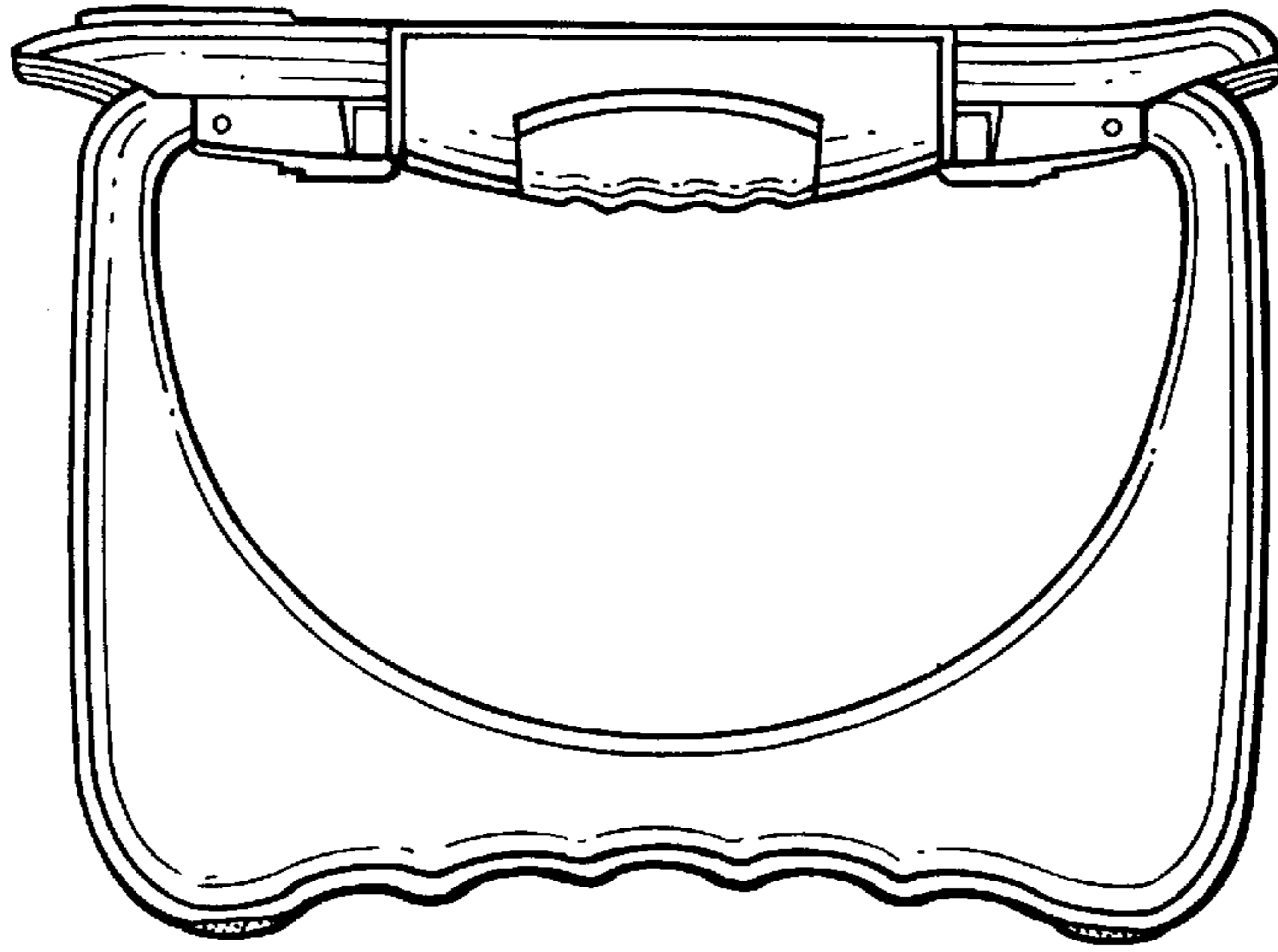




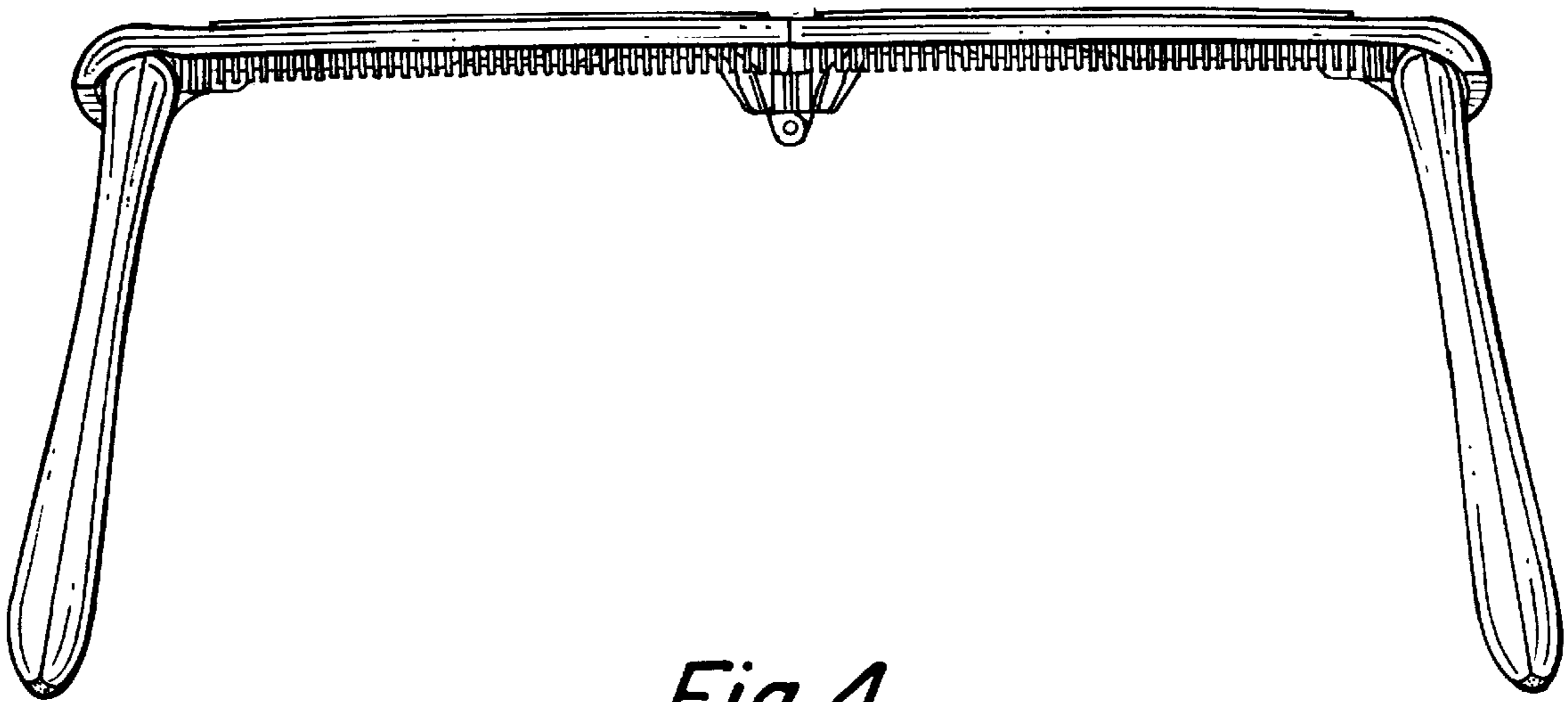
*Fig. 1.*



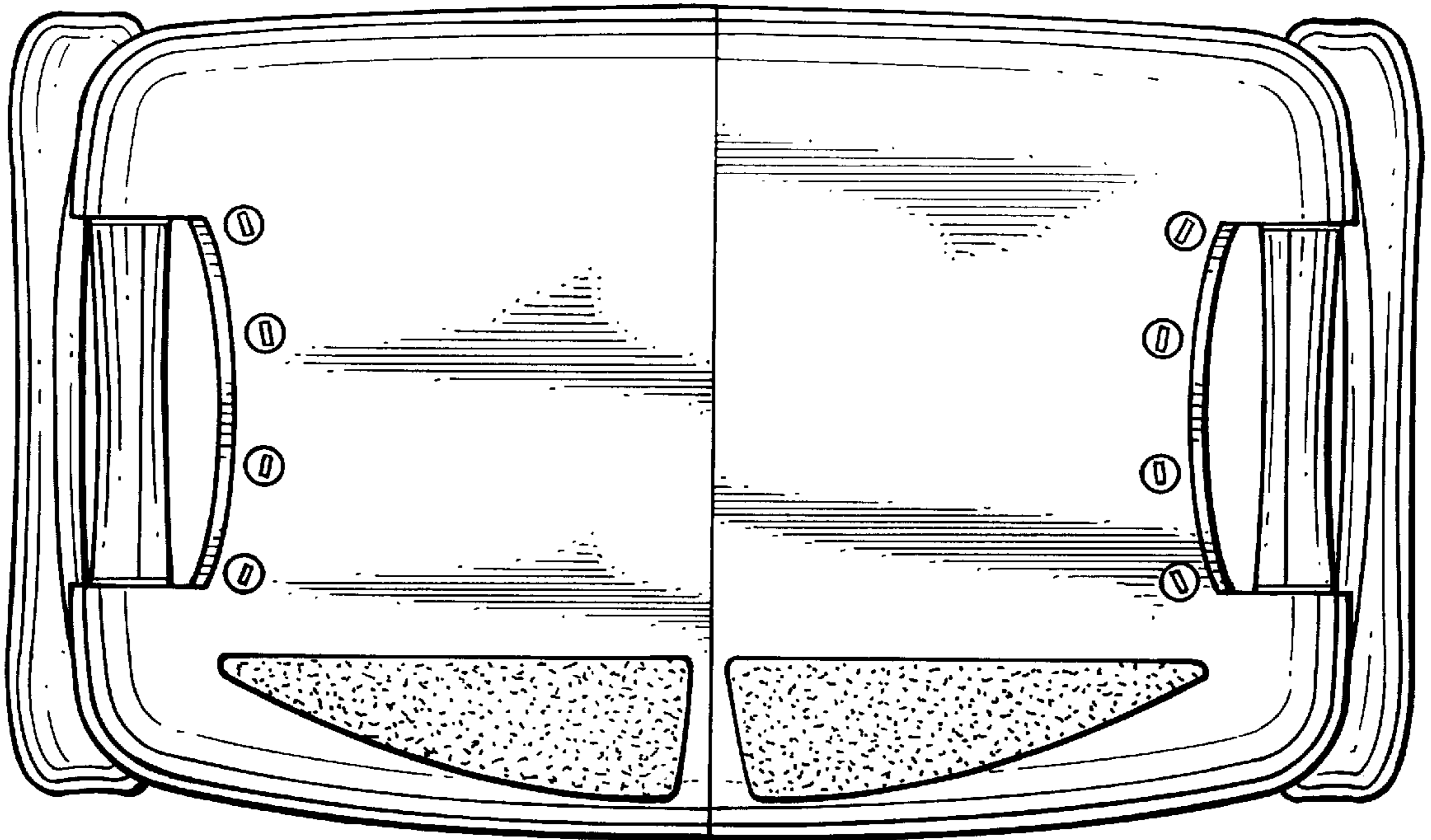
*Fig. 2.*



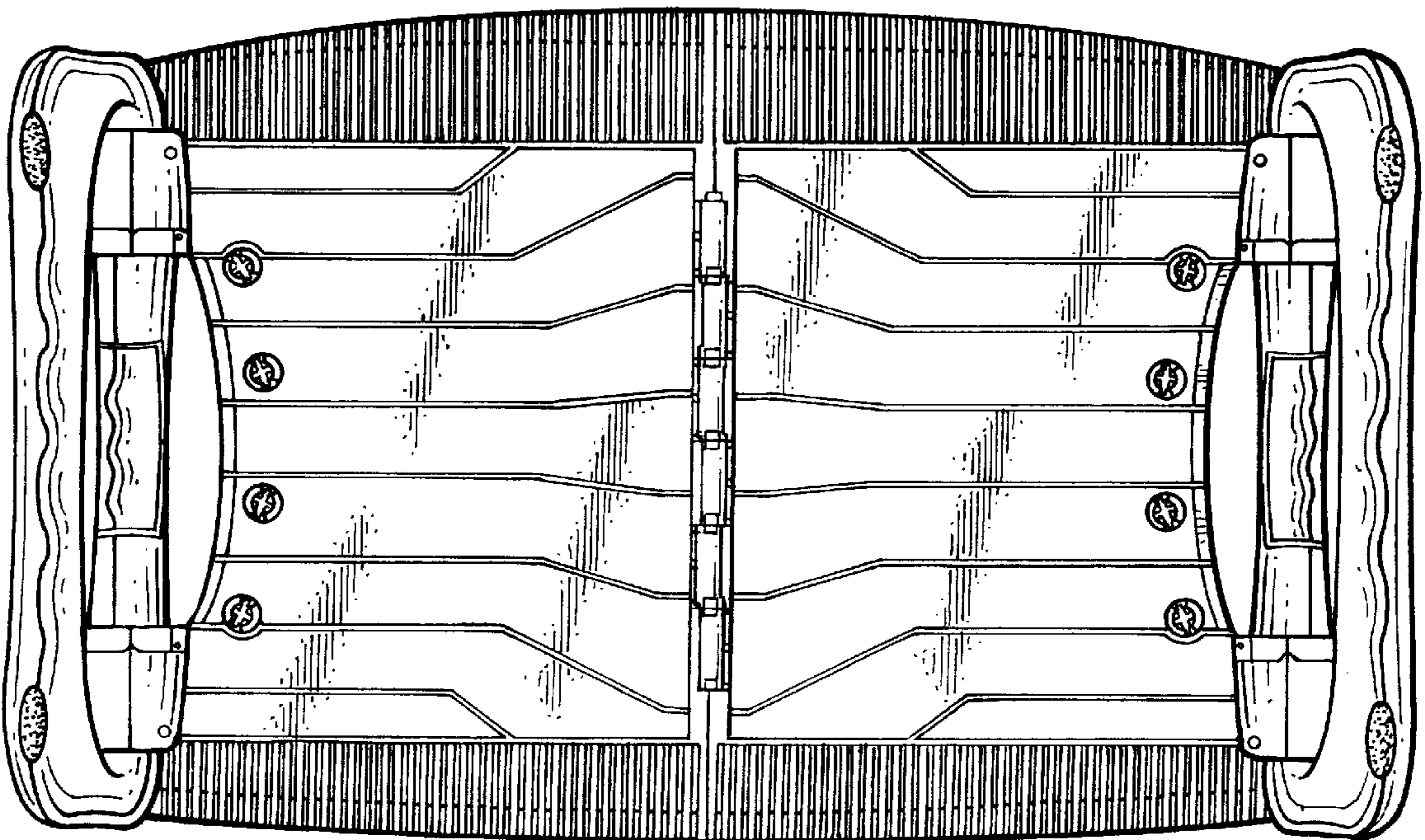
*Fig. 3.*



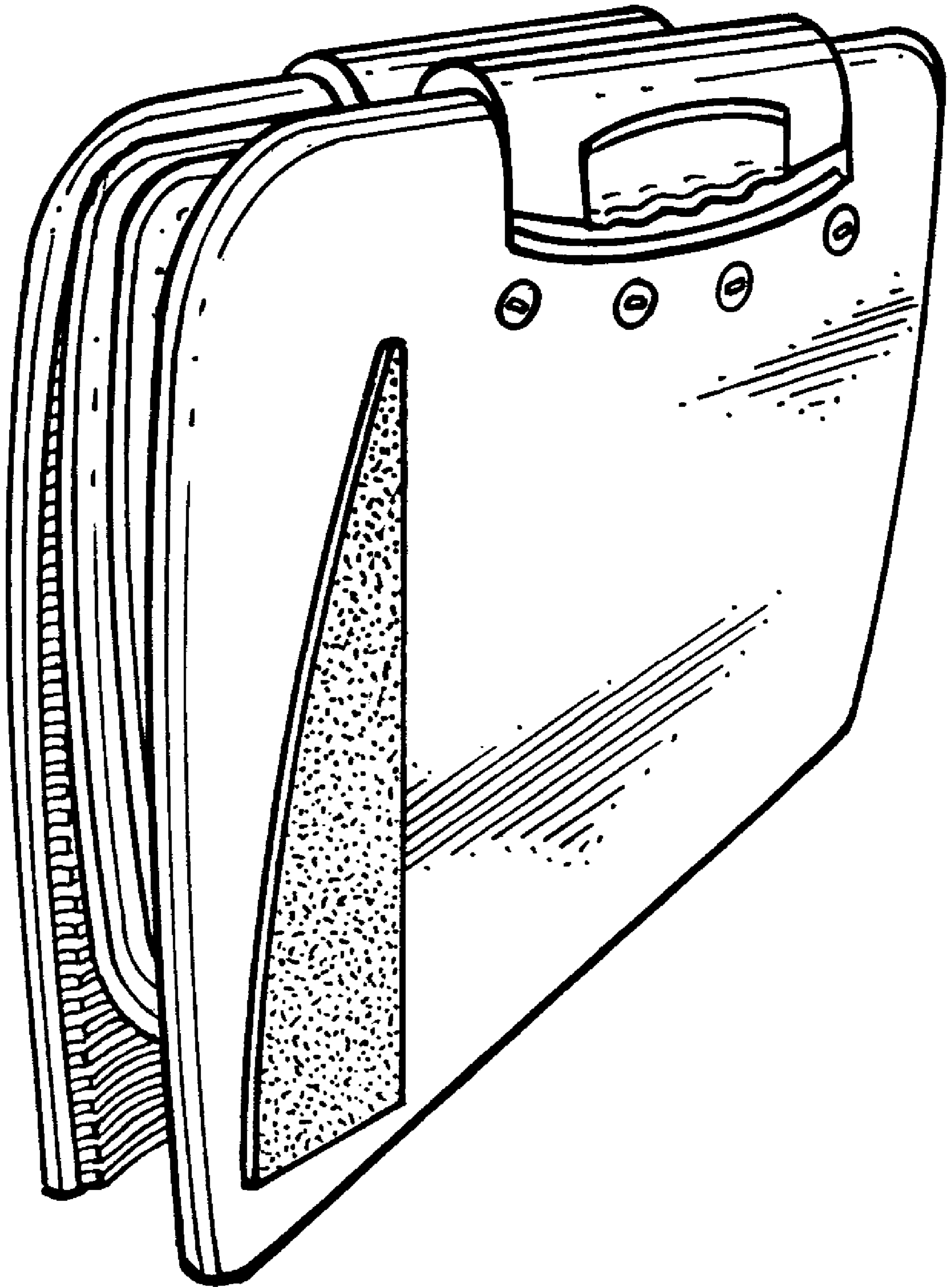
*Fig. 4.*



*Fig. 5.*



*Fig. 6.*



*Fig. 7.*