



US00D428723S

**United States Patent** [19]  
**Wistehuff, Sr.**

[11] **Patent Number: Des. 428,723**

[45] **Date of Patent: \*\* Aug. 1, 2000**

[54] **CHAIR**

[75] Inventor: **Daniel David Wistehuff, Sr.,**  
Greensboro, N.C.

[73] Assignee: **Thomasville Furniture Industries,**  
**Inc.,** Thomasville, N.C.

[\*\*] Term: **14 Years**

[21] Appl. No.: **29/112,320**

[22] Filed: **Oct. 14, 1999**

[51] **LOC (7) Cl.** ..... **06-01**

[52] **U.S. Cl.** ..... **D6/369; D6/334**

[58] **Field of Search** ..... D6/334, 369, 370,  
D6/374, 376, 379, 500, 501, 502; 297/445.1,  
446.1, 451.9, 452.64

[56] **References Cited**

**U.S. PATENT DOCUMENTS**

D. 380,309	7/1997	Diaz-Azcuy	.....	D6/369
D. 380,311	7/1997	Diaz-Azcuy	.....	D6/369
D. 380,312	7/1997	Diaz-Azcuy	.....	D6/369
D. 393,954	5/1998	Ferguson	.....	D6/369

**OTHER PUBLICATIONS**

Photo of chair, source unknown, believed to be prior art, undated.

B-1, B-2: Photo of chairs, source unknown, believed to be prior art, undated.

*Primary Examiner*—Gary D. Watson  
*Attorney, Agent, or Firm*—Rhodes & Mason, P.L.L.C.

[57] **CLAIM**

The ornamental design for a chair, as shown and described.

**DESCRIPTION**

FIG. 1 is a left front perspective view of a chair showing my new design;

FIG. 2 is a side view, the opposite side being a mirror image thereof;

FIG. 3 is a front elevational view thereof;

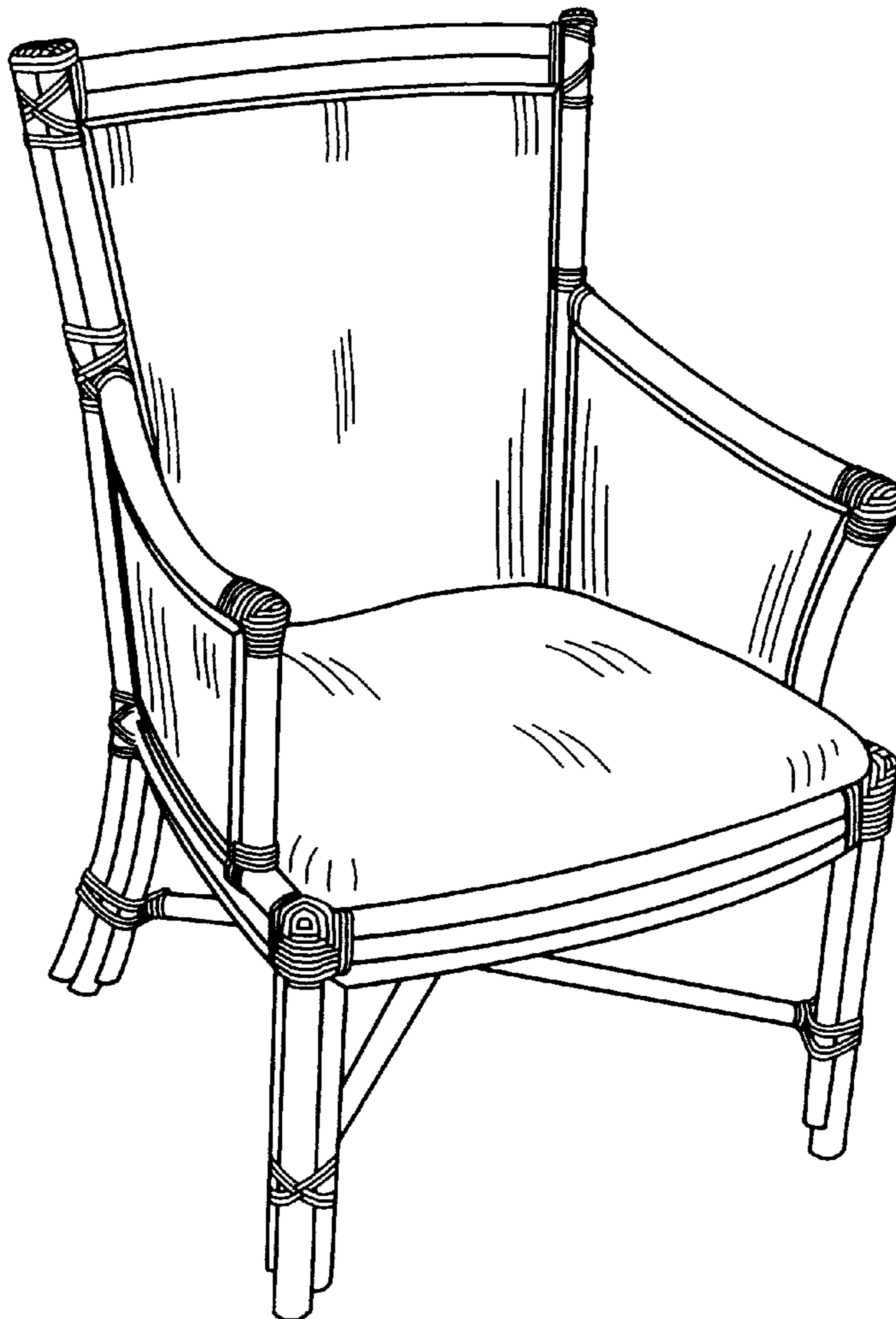
FIG. 4 is a rear elevational view thereof;

FIG. 5 is a rear perspective view thereof; and,

FIG. 6 is a top view thereof;

The bottom elevational view of the design is not shown and forms no part of the claim design.

**1 Claim, 2 Drawing Sheets**



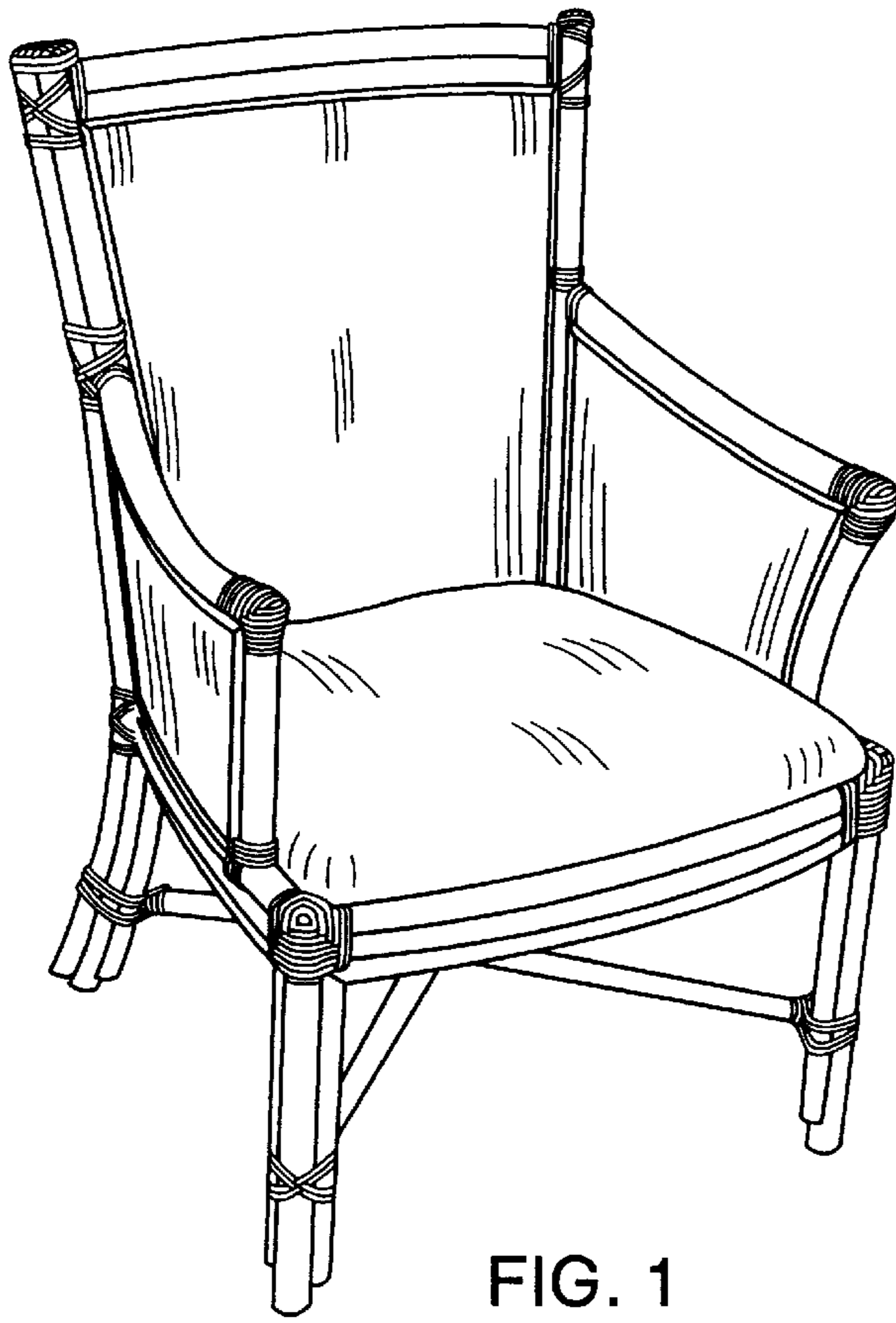


FIG. 1

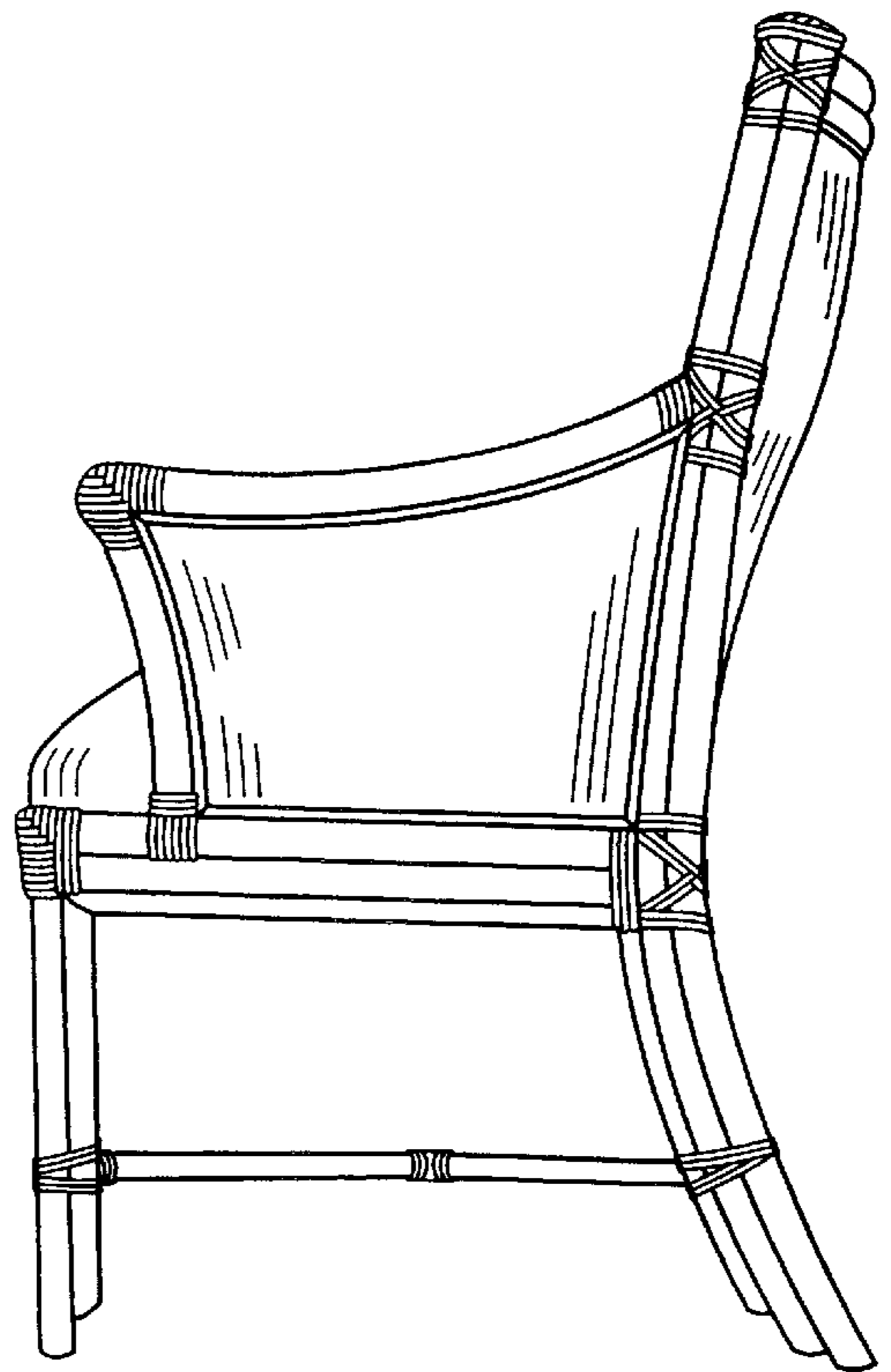


FIG. 2

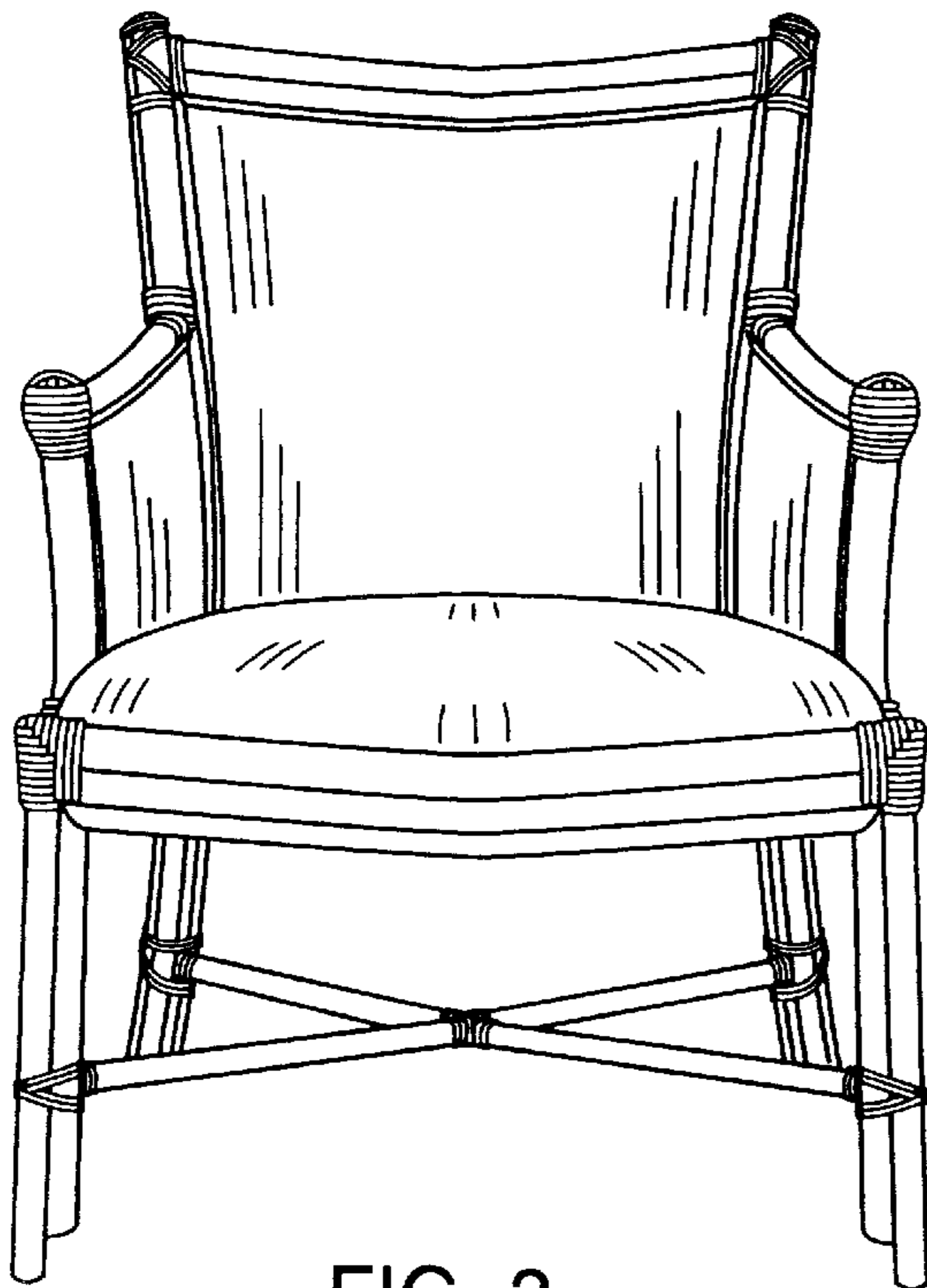


FIG. 3

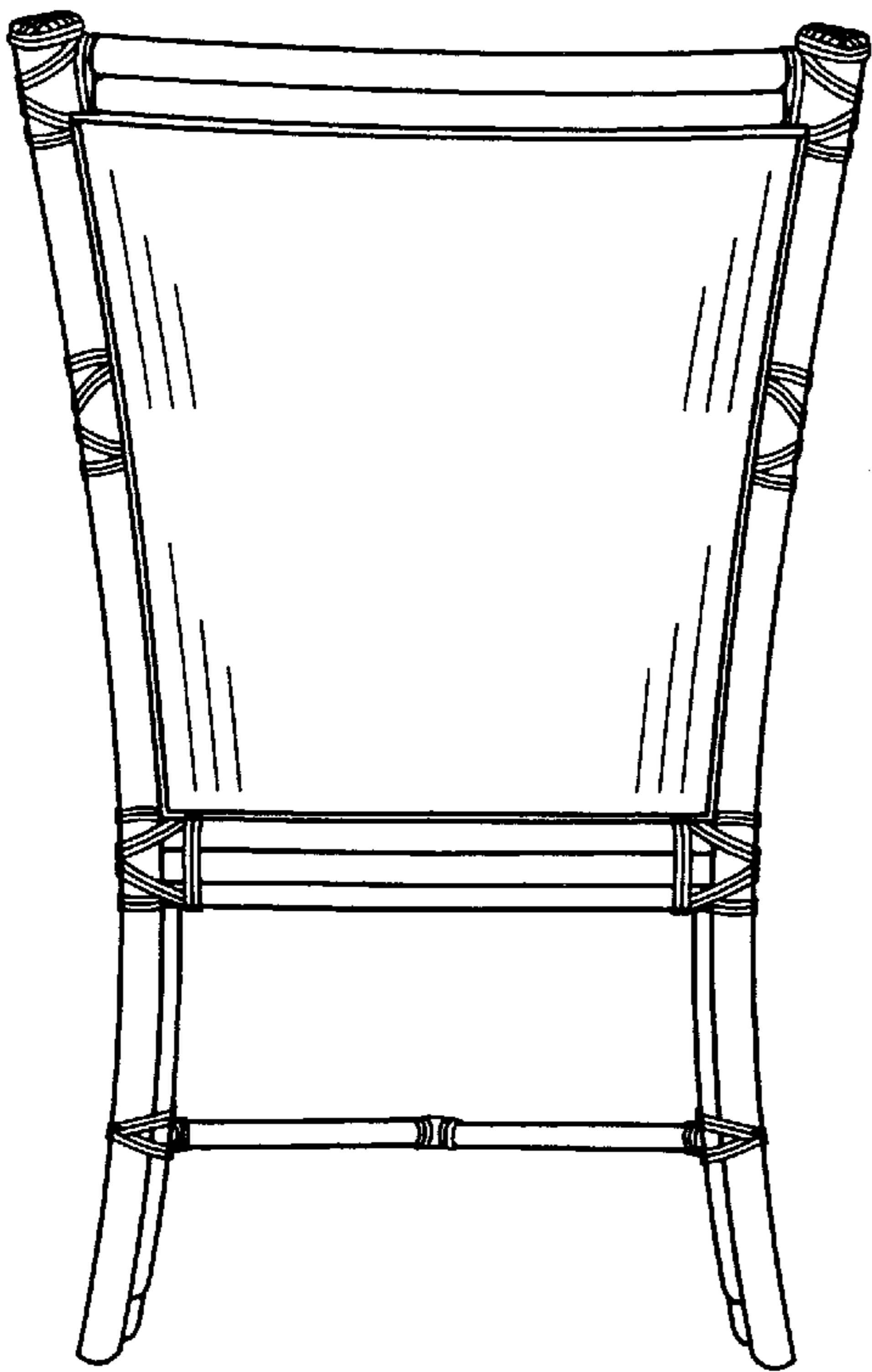


FIG. 4

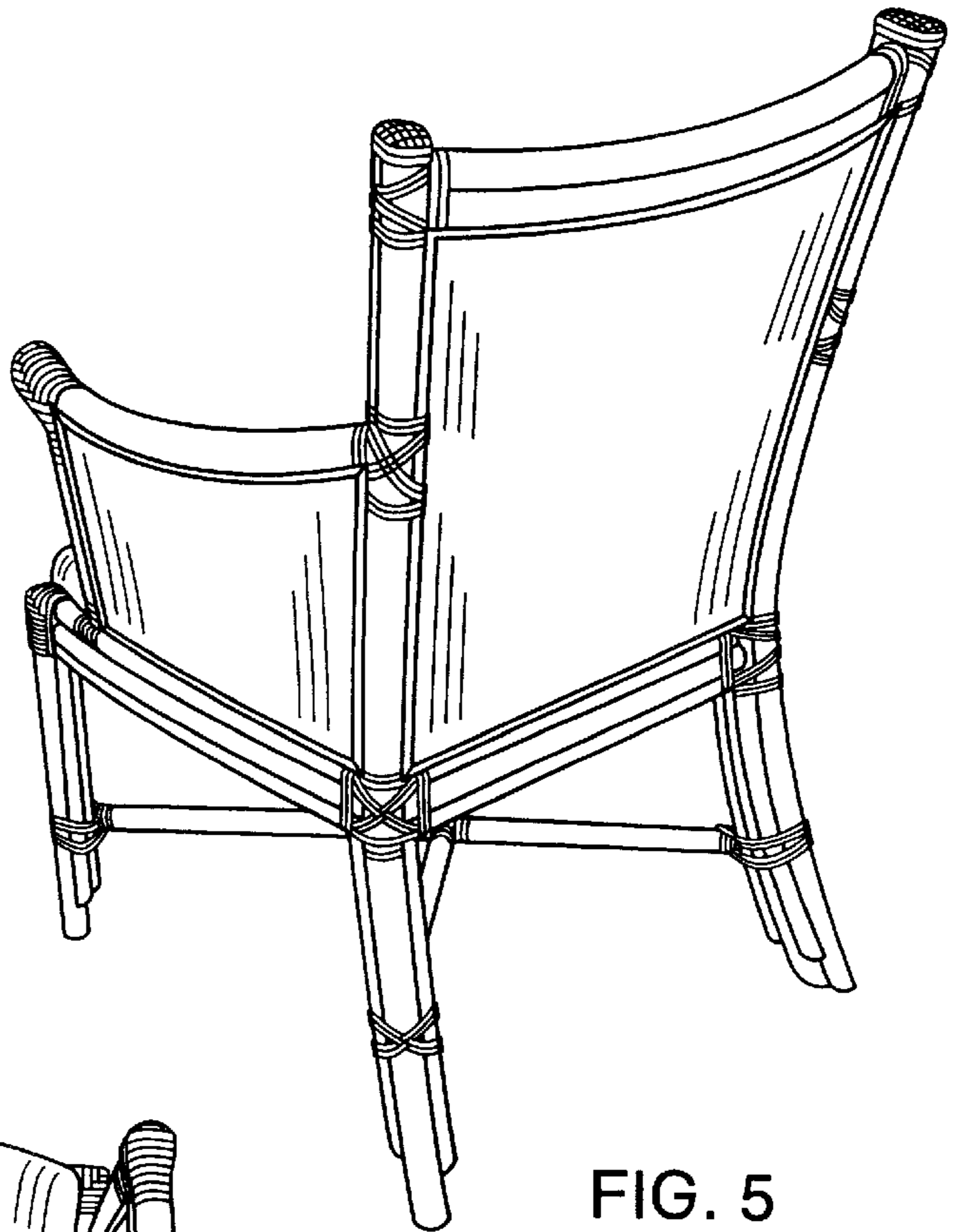


FIG. 5

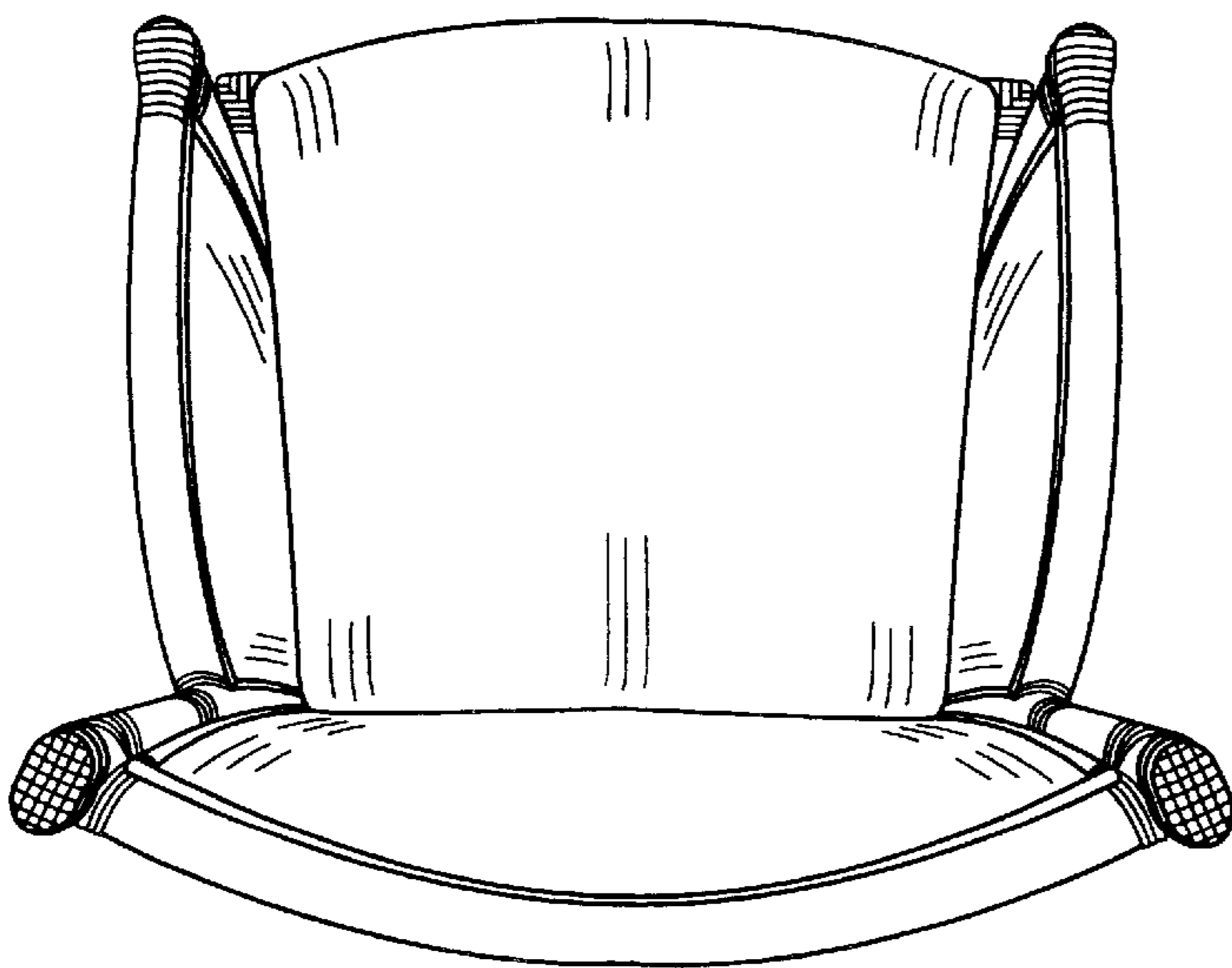


FIG. 6

UNITED STATES PATENT AND TRADEMARK OFFICE  
**CERTIFICATE OF CORRECTION**

PATENT NO. : Des 428,723  
DATED : August 1, 2000  
INVENTOR(S) : Daniel David Wistehuff, Sr.

Page 1 of 1

It is certified that error appears in the above-identified patent and that said Letters Patent is hereby corrected as shown below:

Title Page,

The Assignee should be deleted,

-- Thomasville Furniture Industries, Inc., Thomasville, N.C. --.

Signed and Sealed this

Ninth Day of October, 2001

*Attest:*

*Nicholas P. Godici*

*Attesting Officer*

NICHOLAS P. GODICI  
*Acting Director of the United States Patent and Trademark Office*