



US00D428722S

United States Patent [19] Cronk

[11] Patent Number: Des. 428,722

[45] Date of Patent: ** Aug. 1, 2000

[54] CHAIR

[75] Inventor: Jeffrey P. Cronk, Tulsa, Okla.

[73] Assignee: Geiger International, Inc., Atlanta, Ga.

[**] Term: 14 Years

[21] Appl. No.: 29/109,224

[22] Filed: Aug. 13, 1999

[51] LOC (7) Cl. 06-01

[52] U.S. Cl. D6/366

[58] Field of Search D6/334, 335, 364,
D6/365, 366, 367, 379, 500, 501, 502;
297/411.2, 411.27, 411.28

[56] **References Cited**

U.S. PATENT DOCUMENTS

D. 276,957	1/1985	Schultz	D6/366
D. 313,703	1/1991	Moschini et al.	D6/366
D. 318,763	8/1991	George et al.	D6/366
D. 322,898	1/1992	Zapf	D6/366

D. 355,303	2/1995	Scheper et al.	D6/366
D. 373,695	9/1996	Buffon	D6/500
D. 391,424	3/1998	Raftery	D6/500
D. 394,961	6/1998	Fancelli	D6/366
D. 397,258	8/1998	Heyder et al.	D6/366
D. 398,163	9/1998	Desanta	D6/366
D. 405,618	2/1999	Reutepohler et al.	D6/366

Primary Examiner—Gary D. Watson
Attorney, Agent, or Firm—Long, Aldridge & Norman, LLP;
Steven B. Kelber

[57] **CLAIM**

The ornamental design for a chair, as shown and described.

DESCRIPTION

FIG. 1 is a front view of a chair according to the present invention.

FIG. 2 is a rear view of the chair of FIG. 1.

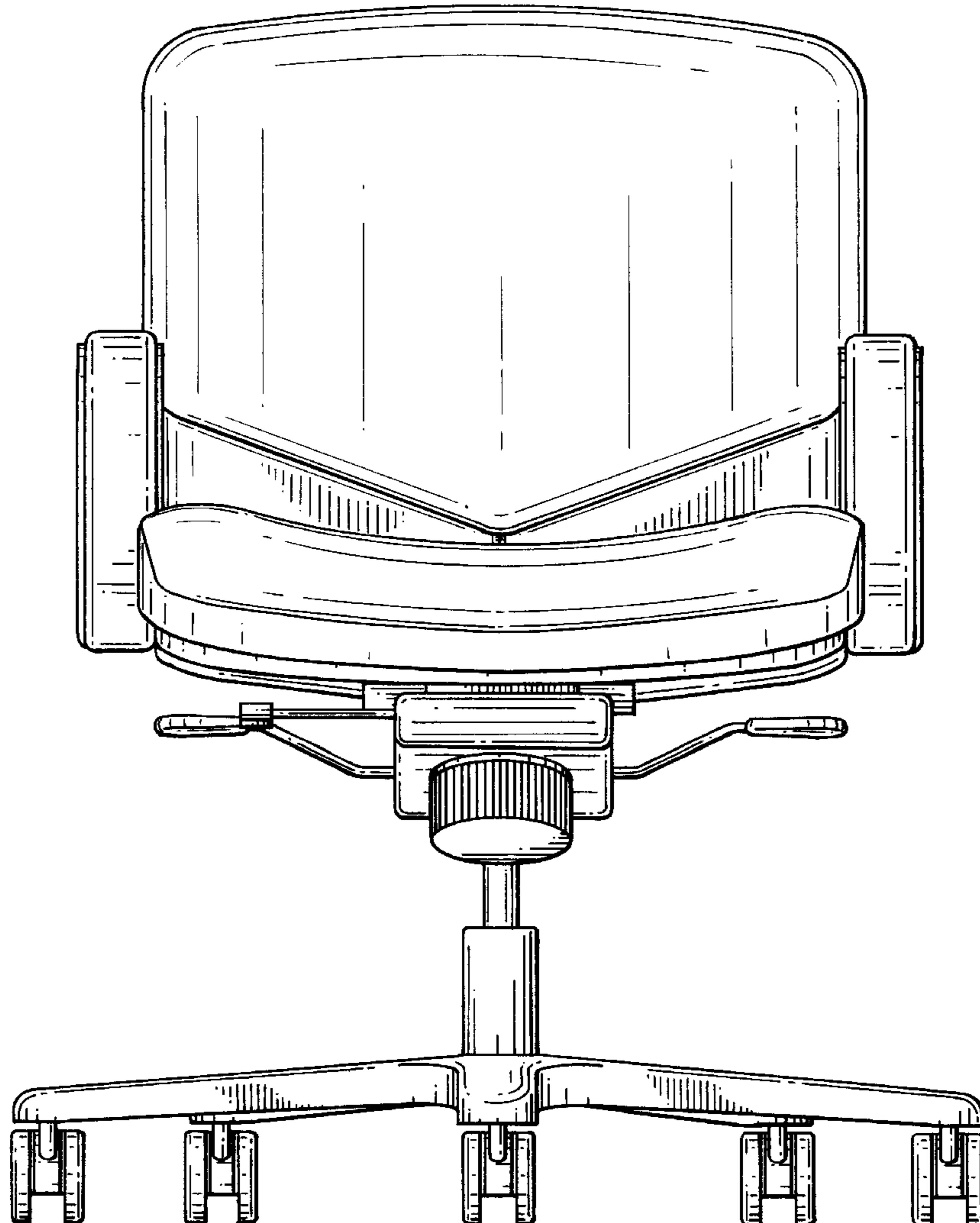
FIG. 3 is a right side view of the chair of FIG. 1.

FIG. 4 is a left side view of the chair of FIG. 1.

FIG. 5 is a top view of the chair of FIG. 1; and,

FIG. 6 is a bottom view of the chair of FIG. 1.

1 Claim, 6 Drawing Sheets



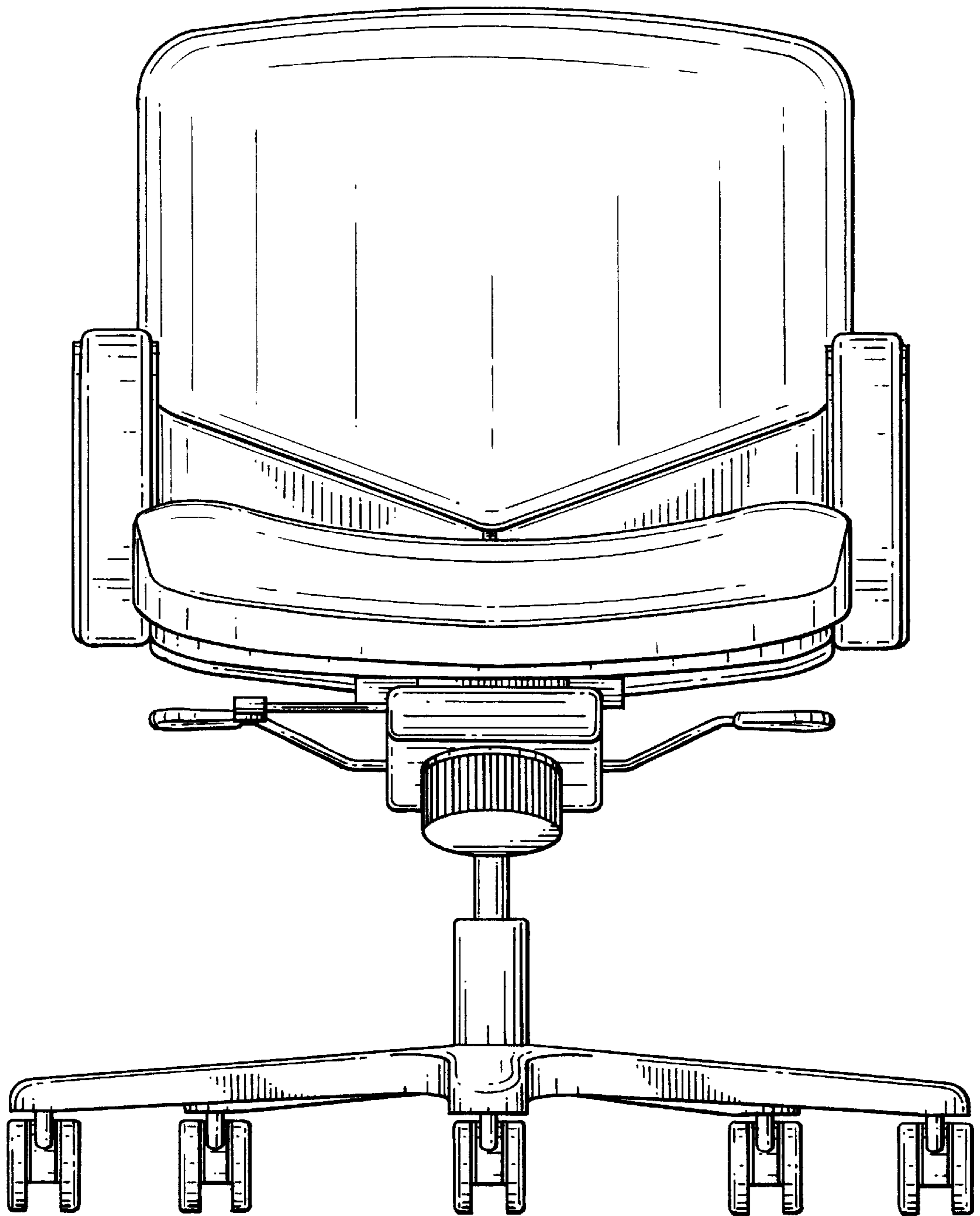


FIG. 1

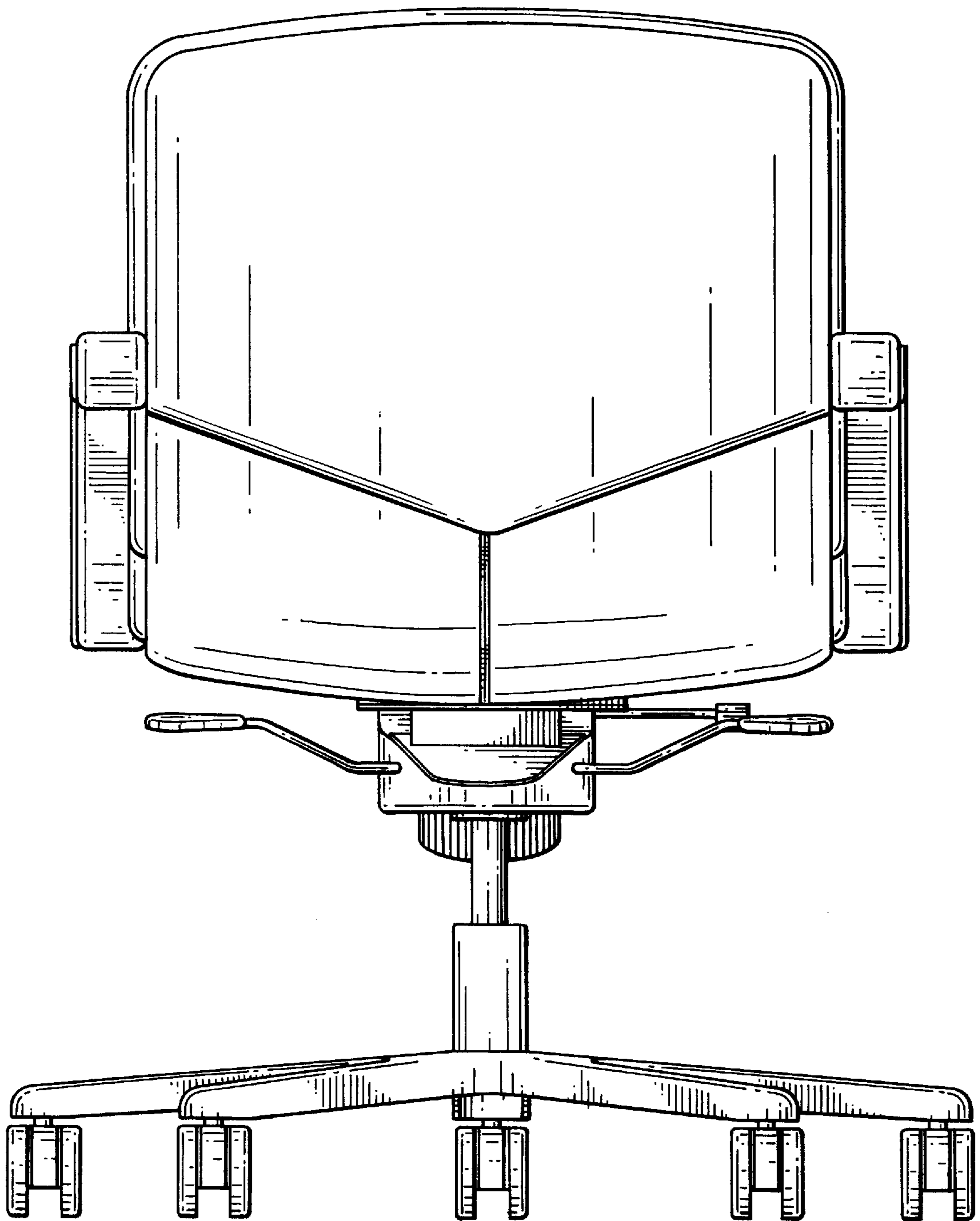


FIG. 2

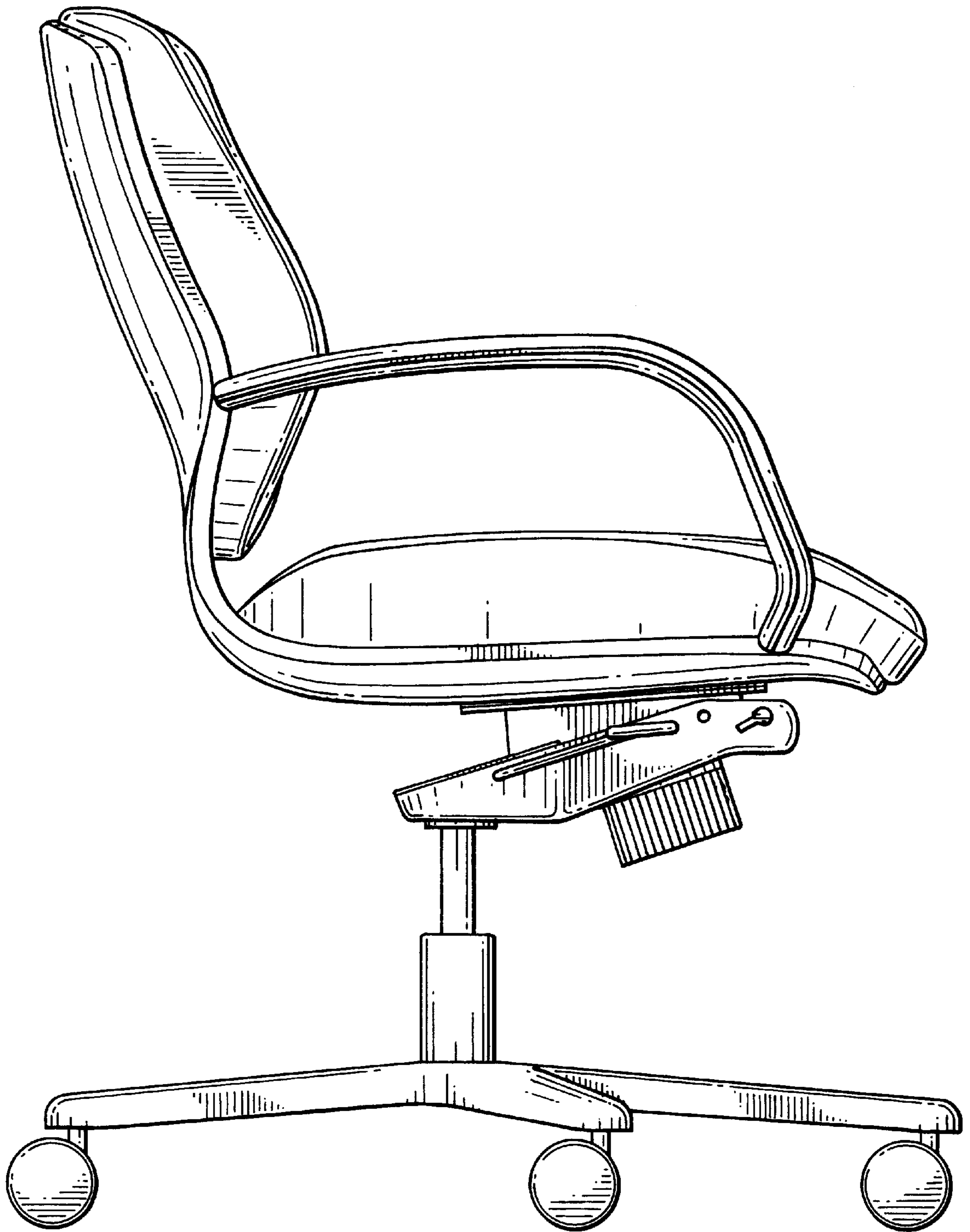


FIG. 3

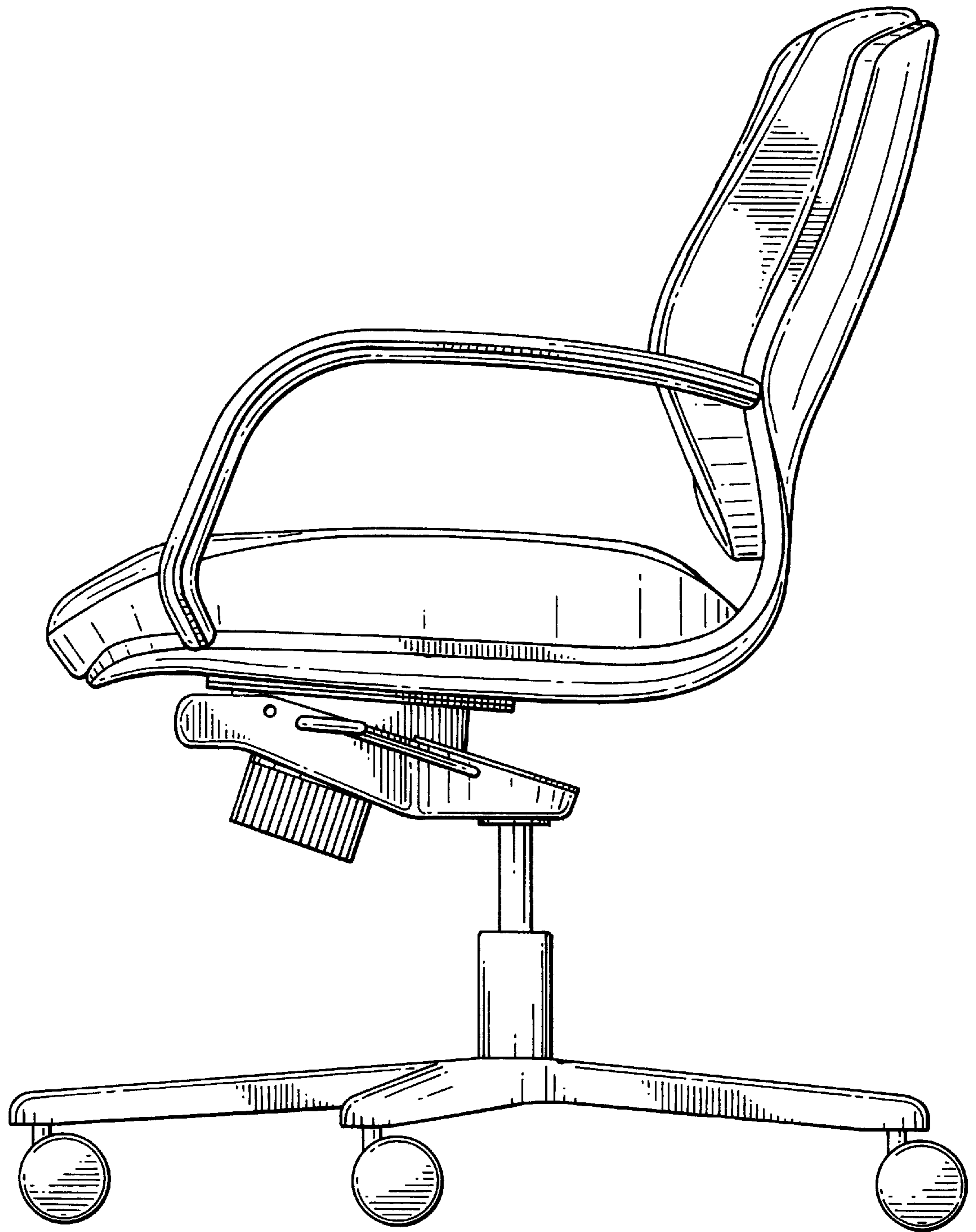


FIG. 4

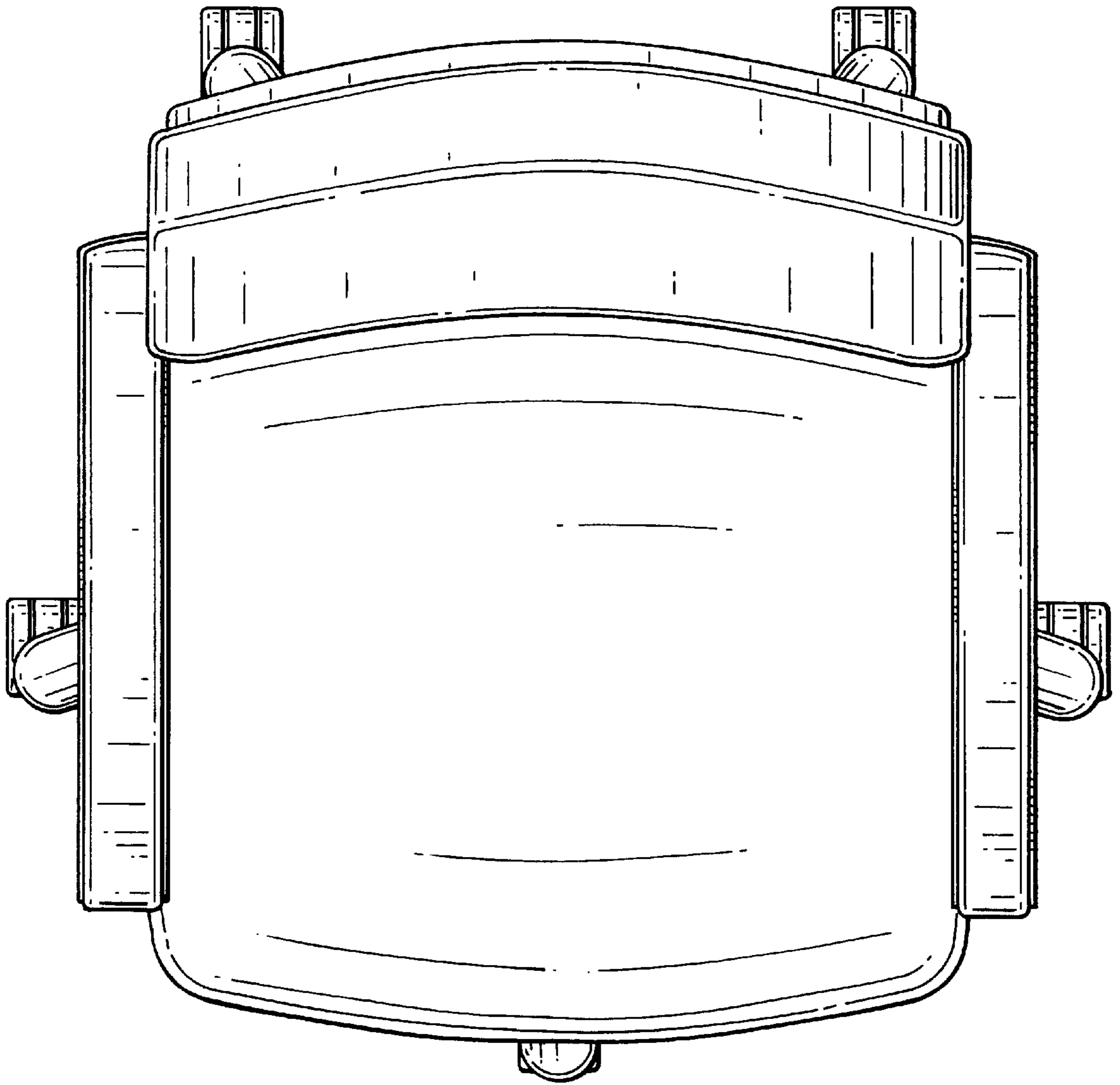


FIG. 5

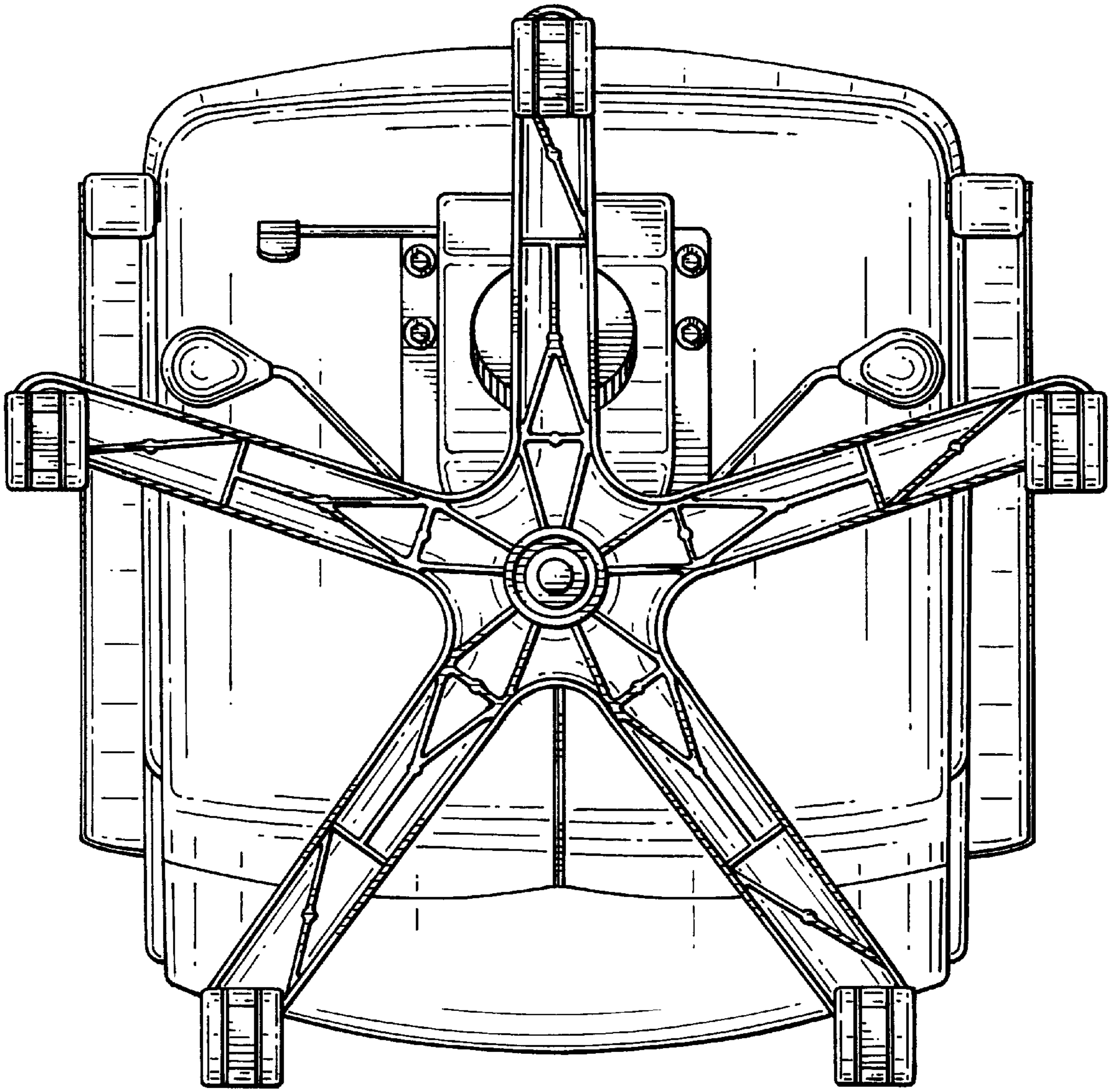


FIG. 6