



US00D428721S

United States Patent [19] Jenkins

[11] **Patent Number: Des. 428,721**

[45] **Date of Patent: ** *Aug. 1, 2000**

[54] **SEAT**

D. 309,989	8/1990	Gotts	D6/364
D. 365,695	1/1996	Sibbitt, Sr.	D6/364
4,676,547	6/1987	Spillman	D6/364

[76] **Inventor: Stephen B. Jenkins**, 36133 State Rte.
30, Lisbon, Ohio 44432

[*] **Notice:** This patent is subject to a terminal disclaimer.

[**] **Term: 14 Years**

Primary Examiner—Gary D. Watson
Attorney, Agent, or Firm—Frederic E. Naragon

[21] **Appl. No.: 29/058,374**

[22] **Filed: Aug. 12, 1996**

[51] **LOC (7) Cl. 06-01**

[52] **U.S. Cl. D6/364**

[58] **Field of Search** D6/334, 335, 336,
D6/364, 367, 374, 500, 501, 502; 248/156,
530; 297/338

[57] **CLAIM**

The ornamental design for a seat, as shown and described.

DESCRIPTION

FIG. 1 is a perspective view of a seat in an open position.
FIG. 2 is a perspective view of a seat in closed and carrying position.

FIG. 3 is a side view of a seat in open position; and,
FIG. 4 is a bottom view of a seat in open position.

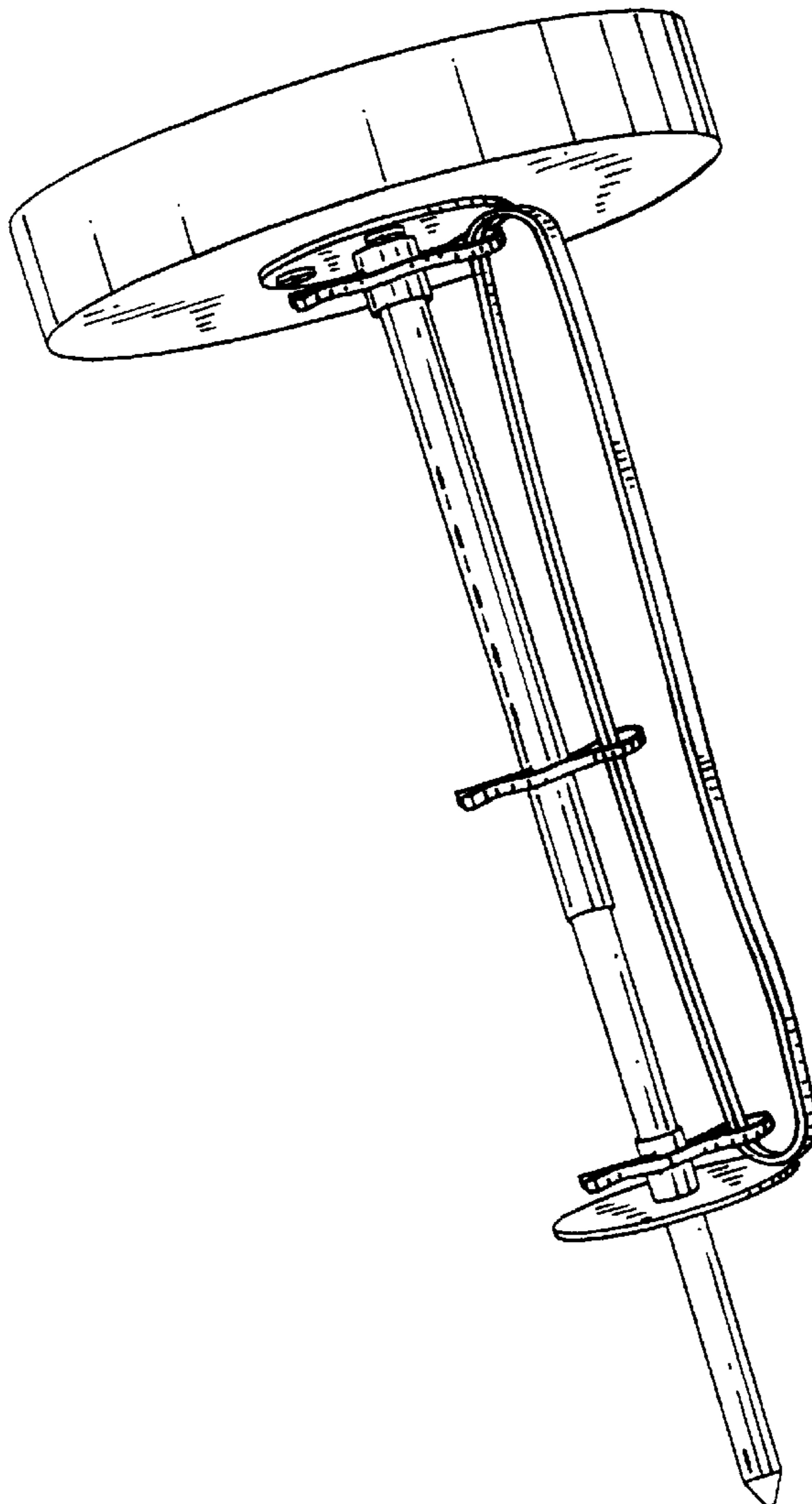
The top of the seat, which has not been shown, is plain and unornamented.

[56] **References Cited**

U.S. PATENT DOCUMENTS

D. 245,954 10/1977 Tosaw D6/335

1 Claim, 4 Drawing Sheets



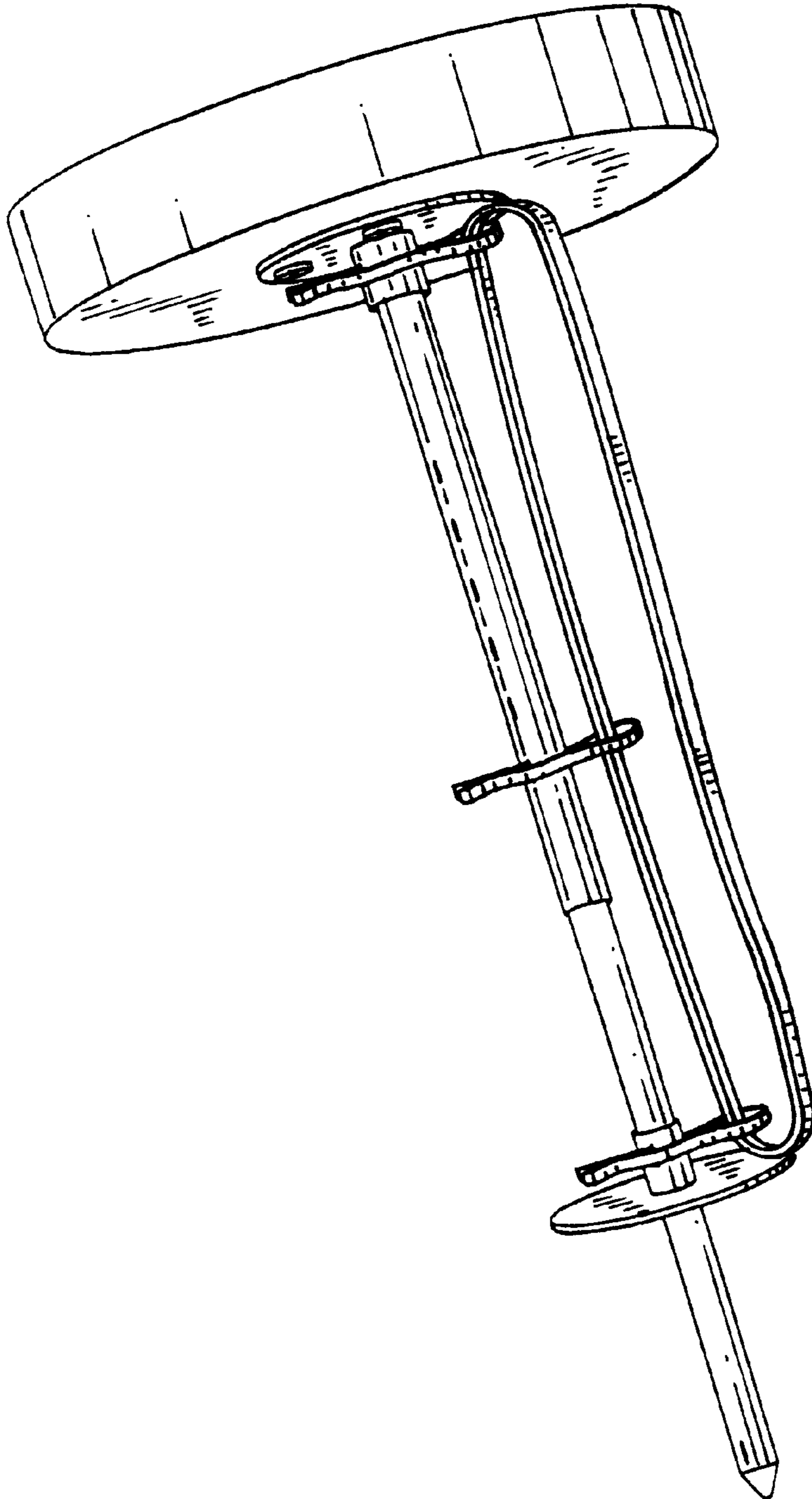


FIG. 1

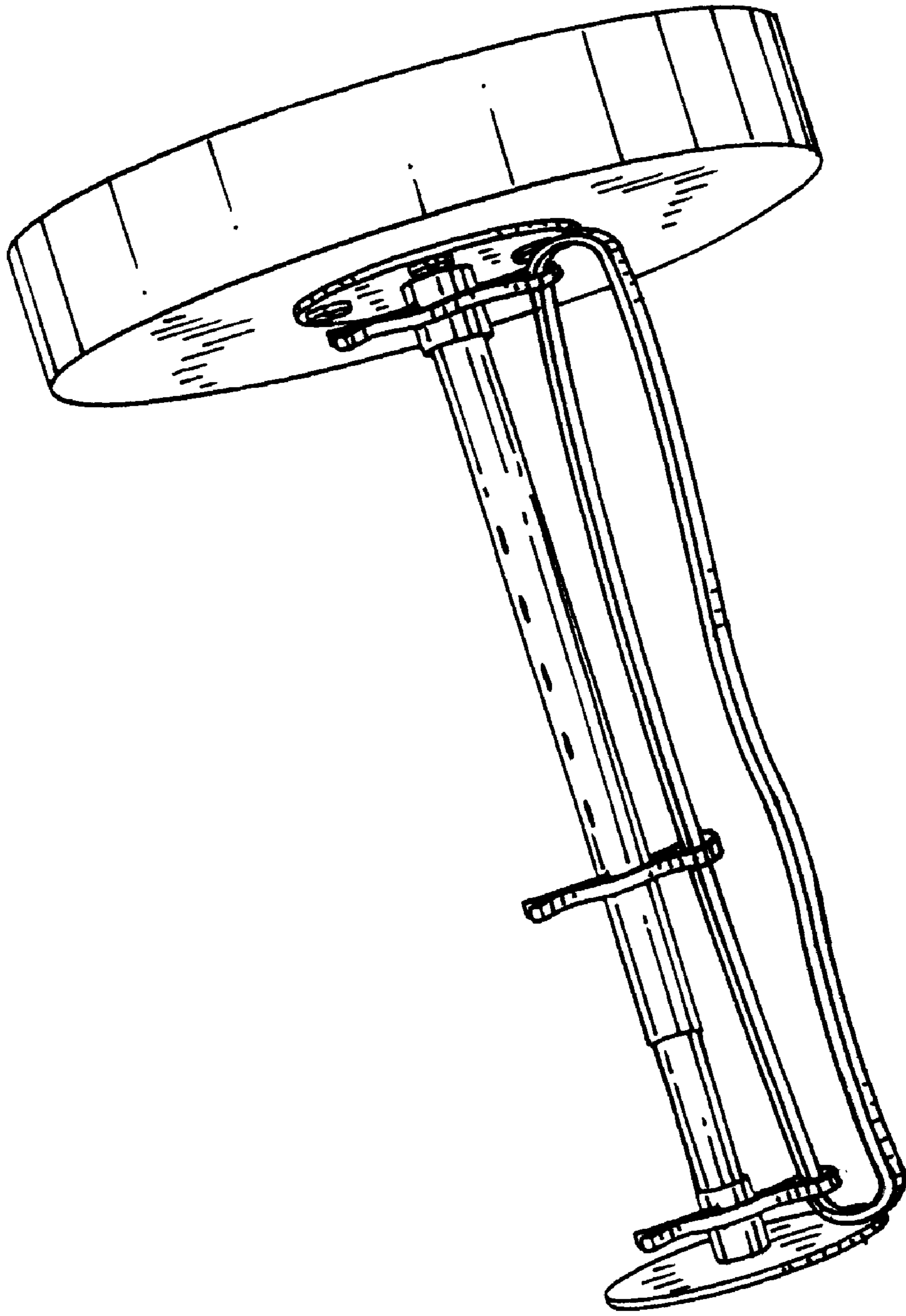
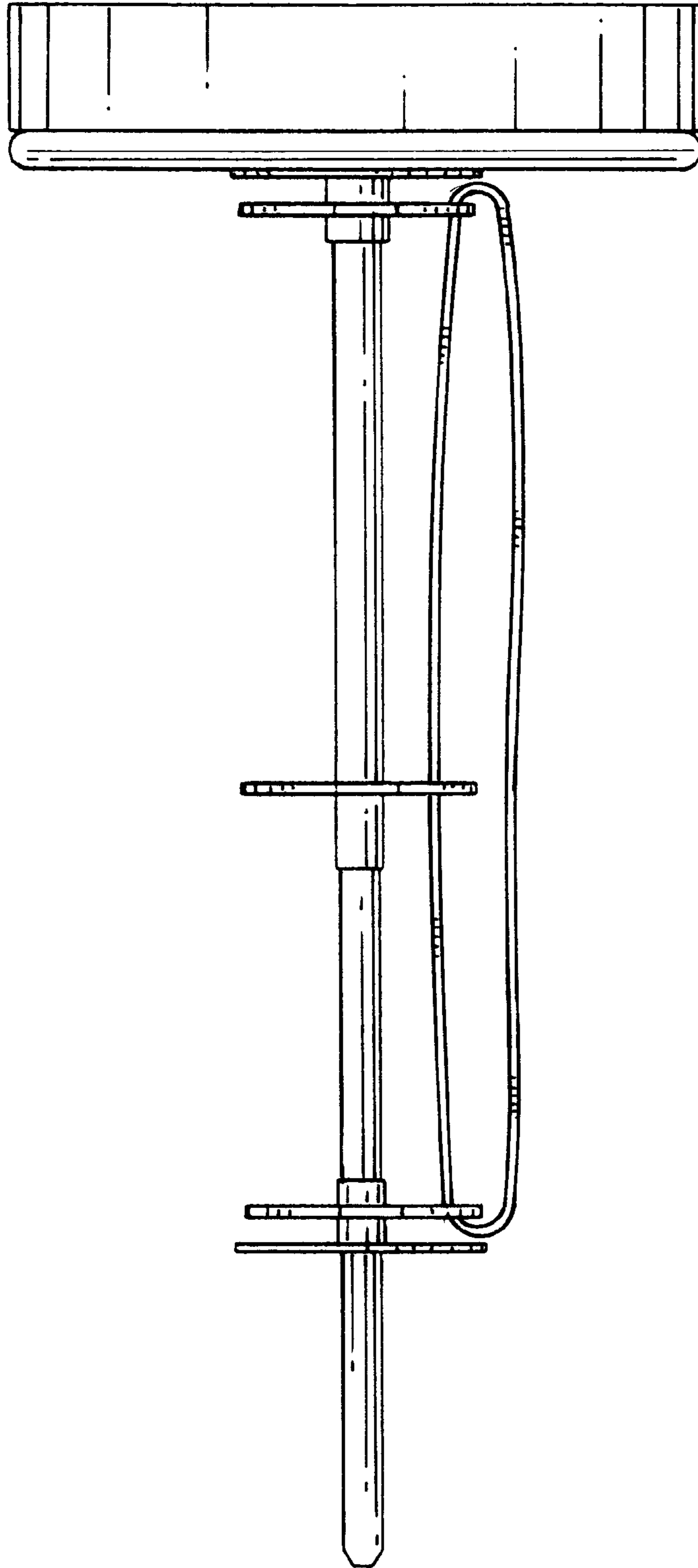


FIG. 2

FIG. 3



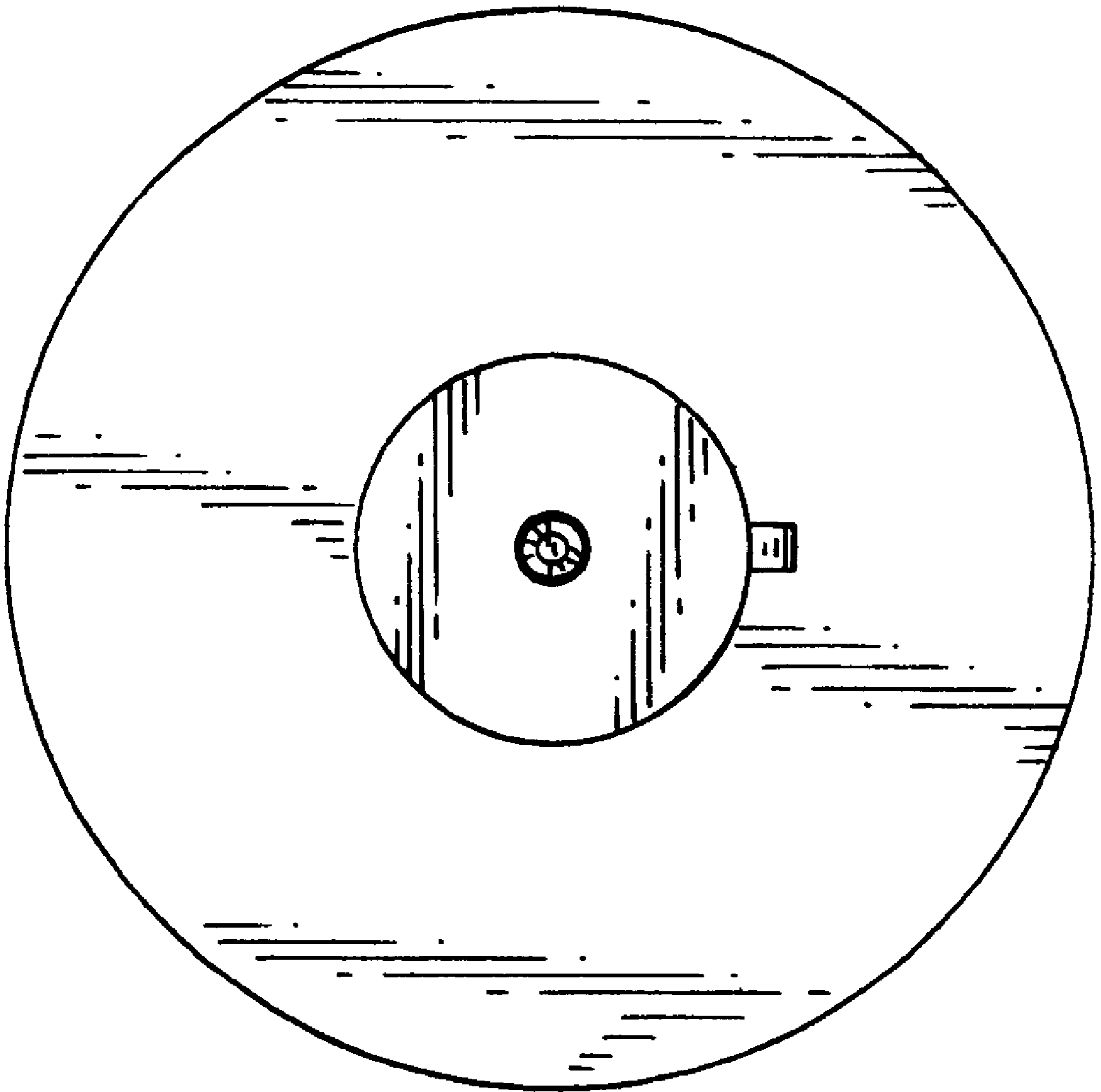


FIG. 4