



US00D428715S

**United States Patent** [19]  
**Brevi**

[11] **Patent Number: Des. 428,715**

[45] **Date of Patent: \*\* Aug. 1, 2000**

[54] **ADJUSTABLE HIGH-CHAIR FOR CHILDREN**

[75] Inventor: **Mauro Brevi**, Bergamo, Italy

[73] Assignee: **Brevi S.r.l.**, Telgate, Italy

[\*\*] Term: **14 Years**

[21] Appl. No.: **29/083,751**

[22] Filed: **Feb. 17, 1998**

[30] **Foreign Application Priority Data**

Aug. 19, 1997 [IT] Italy ..... MI9700489

[51] **LOC (7) Cl.** ..... **06-01**

[52] **U.S. Cl.** ..... **D6/339**

[58] **Field of Search** ..... D6/333, 334, 335,  
D6/336, 338, 339, 500, 501, 502; 297/188.08,  
188.12, 344.18, 344.14

[56] **References Cited**

**U.S. PATENT DOCUMENTS**

- D. 291,156 8/1987 Nakao et al. .... D6/338
- D. 328,196 7/1992 Takahashi et al. .... D6/338
- D. 361,213 8/1995 Tokutake et al. .... D6/339

- D. 373,029 8/1996 Mariol et al. .... D6/339
- D. 386,911 12/1997 Perego ..... D6/339
- 5,332,241 7/1994 Rho ..... 297/344.14
- 5,468,051 11/1995 Huang ..... 297/344.18

**OTHER PUBLICATIONS**

P. 635, F., JC Penney Spring and Summer catalog, 1992.  
P. 338, whole page, Evans catalog 1994-95.

*Primary Examiner*—James Gandy  
*Assistant Examiner*—Mimosa De  
*Attorney, Agent, or Firm*—Guido Modiano; Albert Josif

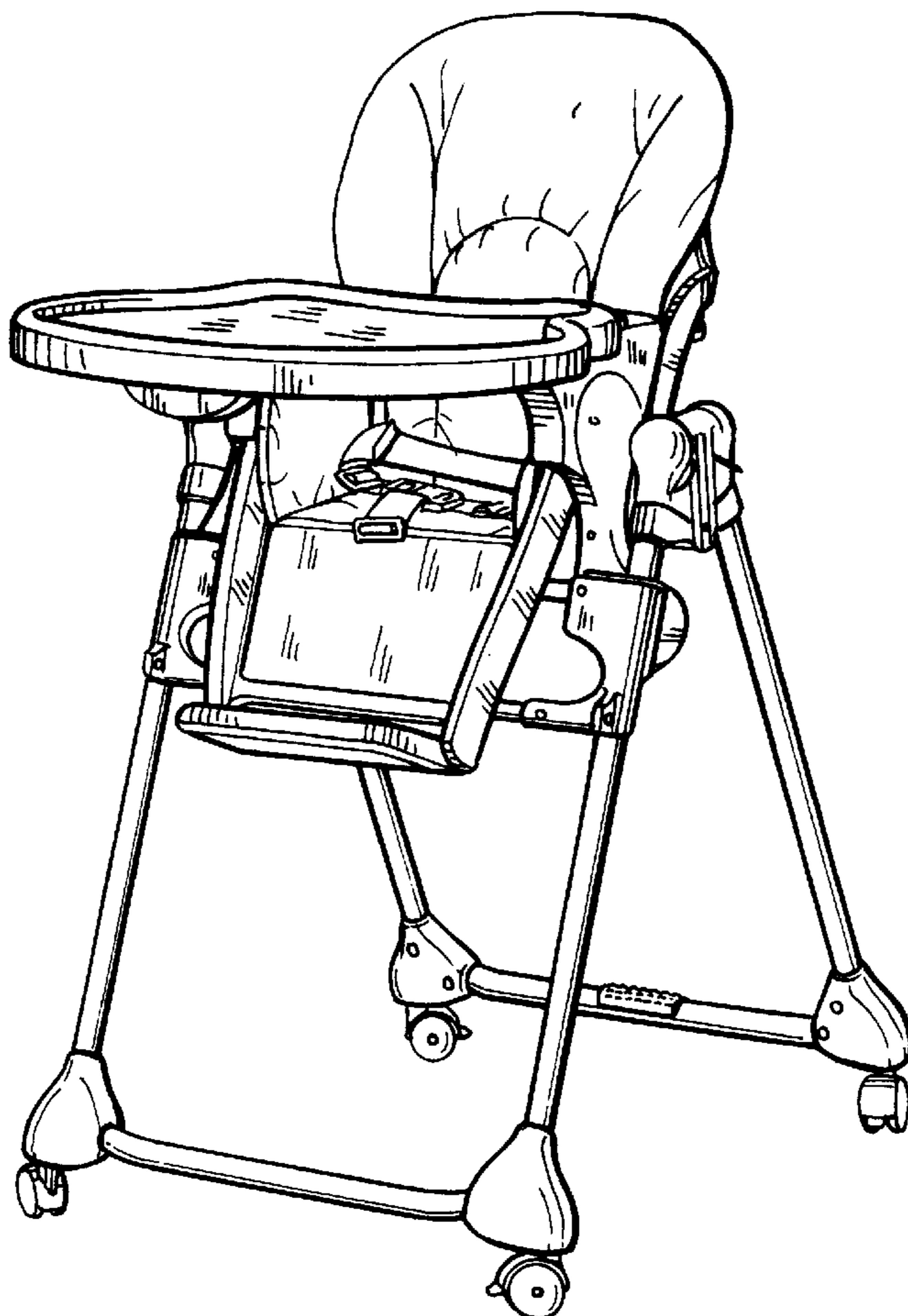
[57] **CLAIM**

The ornamental design for “adjustable high-chair for children”, as shown and described.

**DESCRIPTION**

FIG. 1 is a perspective view of the adjustable high-chair for children, showing my new design;  
FIG. 2 is a front view thereof;  
FIG. 3 is a rear view thereof;  
FIG. 4 is a view thereof, taken from one side; and,  
FIG. 5 is a top view thereof.

**1 Claim, 3 Drawing Sheets**



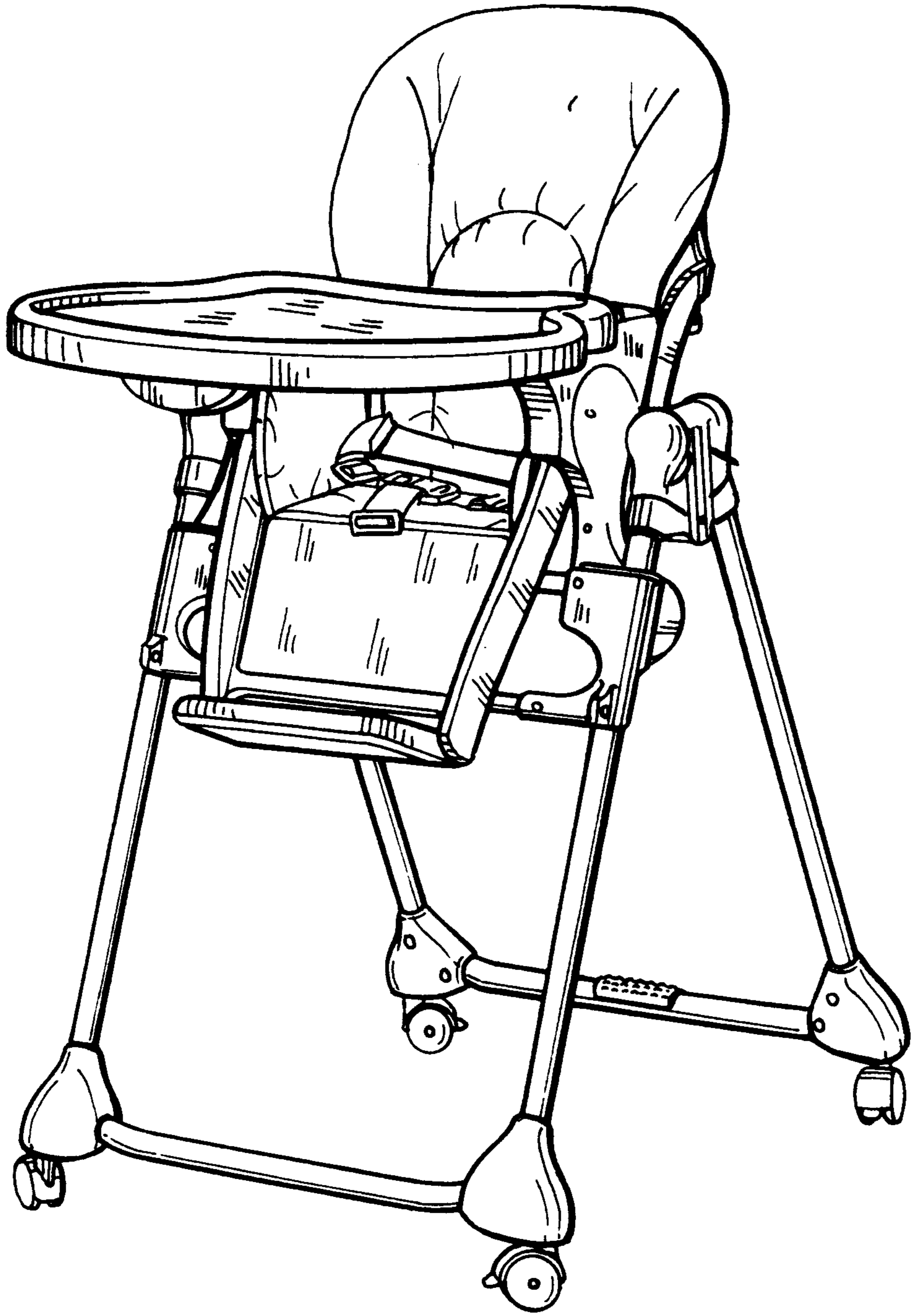


FIG. 1

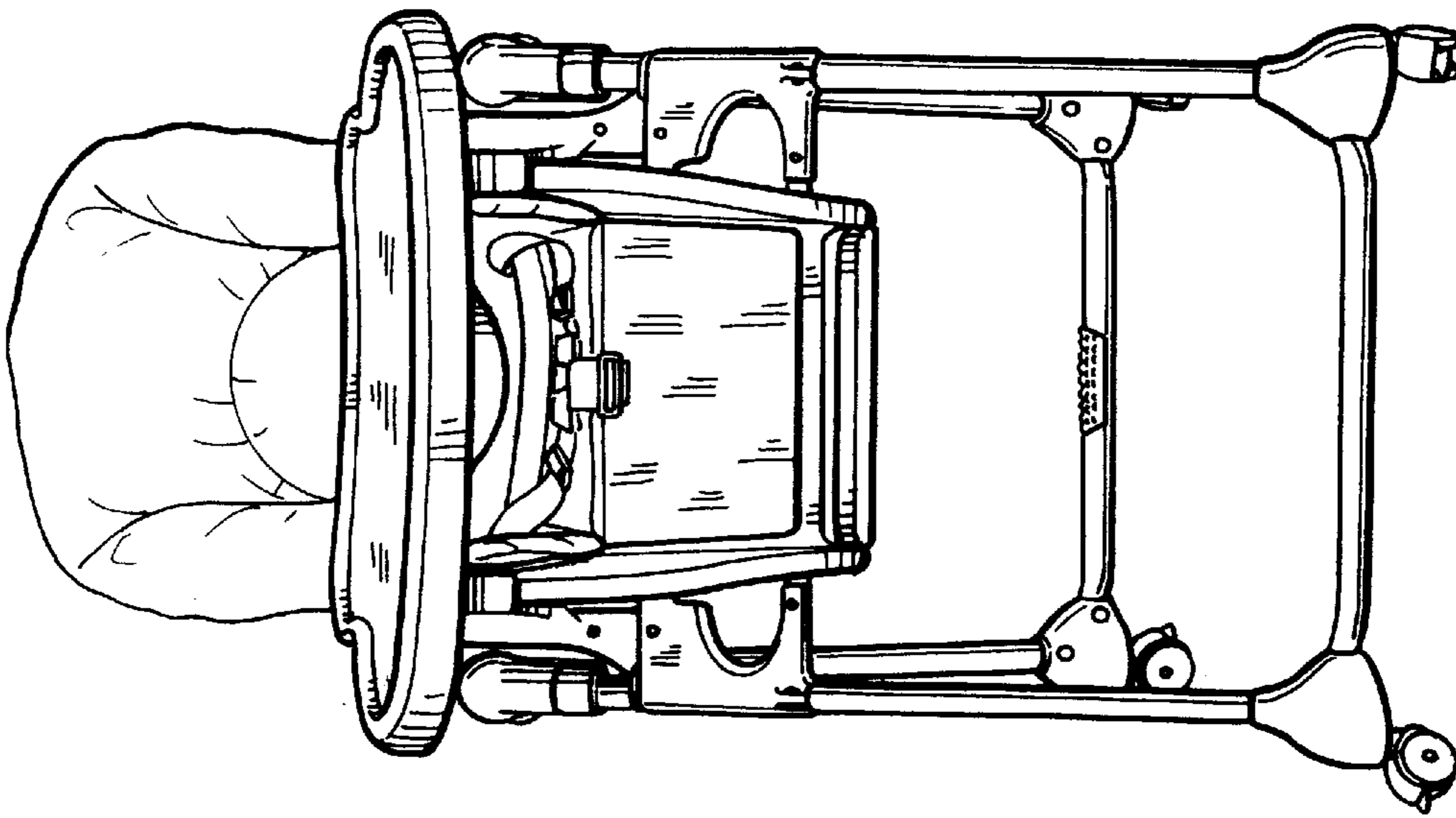


FIG. 2

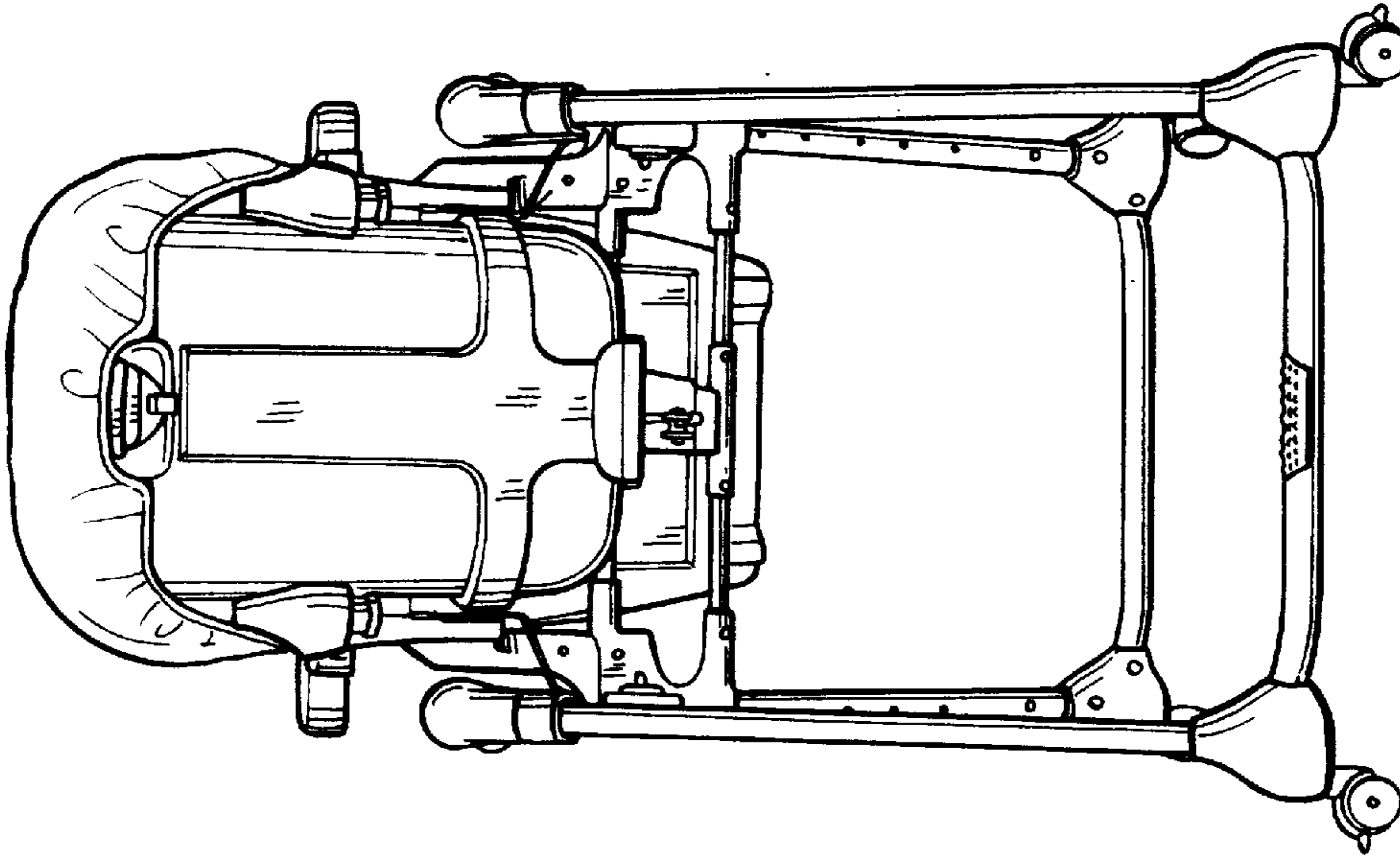


FIG. 3

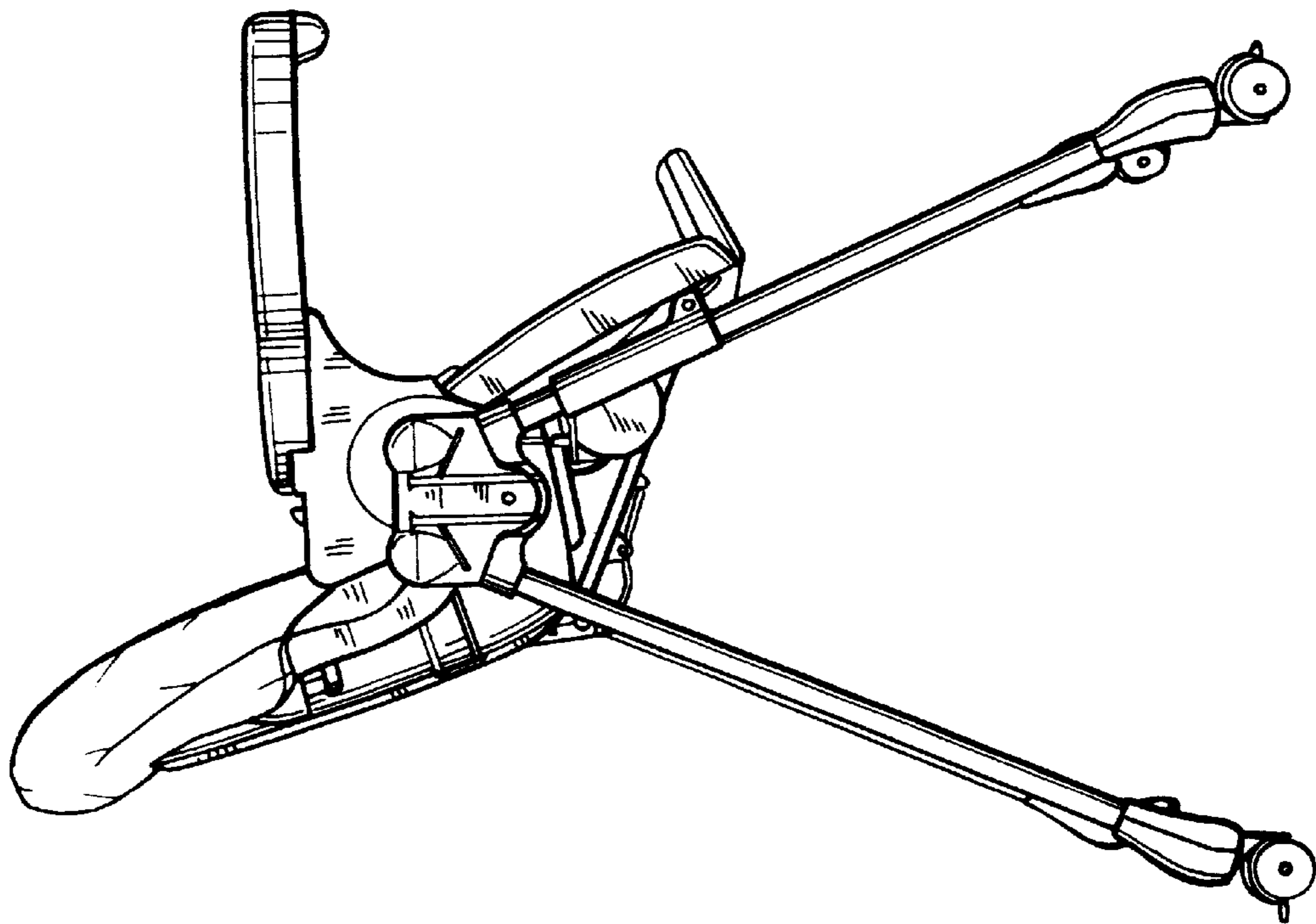


FIG. 4

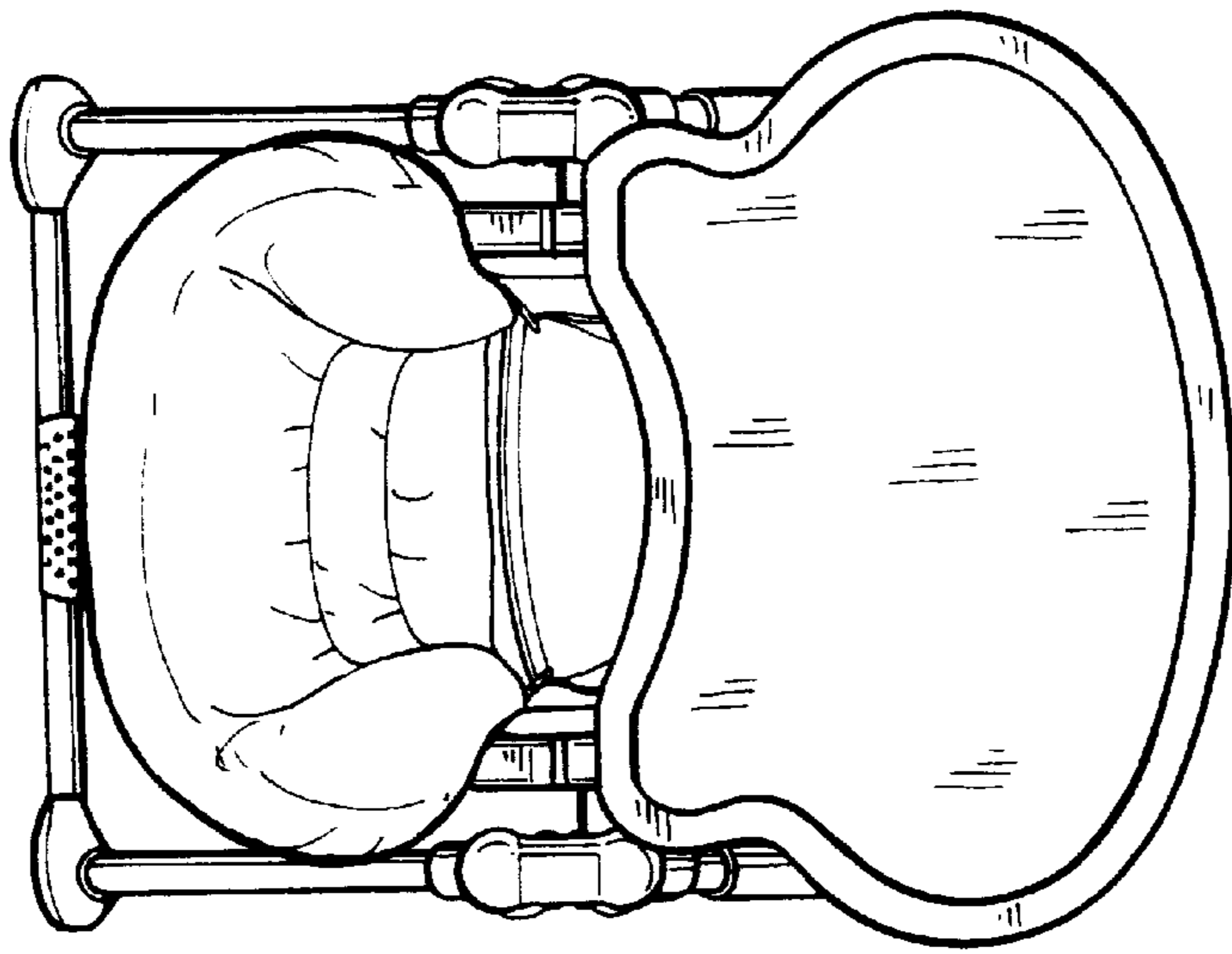


FIG. 5