



US00D428688S

United States Patent [19]

[11] Patent Number: **Des. 428,688**

Egelja et al.

[45] Date of Patent: **** Aug. 1, 2000**

[54] **SOLE FOR FOOTWEAR**

[75] Inventors: **Sinisa Egelja; Amy Egelja; Matthew Rall**, all of State College, Pa.

[73] Assignee: **Airwalk International, LLC**, Golden, Colo.

[**] Term: **14 Years**

[21] Appl. No.: **29/074,185**

[22] Filed: **Jul. 25, 1997**

[51] **LOC (7) Cl.** **02-04**

[52] **U.S. Cl.** **D2/957; D2/851; D2/853; D2/860**

[58] **Field of Search** D2/897, 902, 906, D2/908, 914, 916, 919, 946-962, 964, 977; 36/44, 59 C, 85, 101, 103, 104, 106, 113-115, 124, 126, 127-130, 3 B, 11.5, 12-15, 25 R

[56] **References Cited**

U.S. PATENT DOCUMENTS

D. 76,791	11/1928	Funk et al.	D2/957
D. 83,316	2/1931	Drake	D2/960
D. 87,795	9/1932	Regan	D2/960
D. 114,187	4/1939	Leigh	D2/960
D. 120,316	4/1940	Reeves	D2/960
D. 126,598	4/1941	Cox et al.	D2/960
D. 185,462	6/1959	Ratner	D2/957
D. 185,954	8/1959	Powell	D2/957
D. 281,460	11/1985	Parker	D2/957

D. 292,142	10/1987	Tonkel et al.	D2/957
D. 294,770	3/1988	Selbiger et al.	D2/957
D. 363,371	10/1995	Werman	D2/957
D. 368,796	4/1996	Fabio	D2/960
D. 382,692	8/1997	Carlson	D2/960
D. 385,391	10/1997	Hawker	D2/960
D. 394,142	5/1998	Merceron	D2/960
D. 394,947	6/1998	Avar	D2/960
D. 398,144	9/1998	Egelja	D2/960
2,722,756	11/1955	Ecclesine	36/32 R

Primary Examiner—Celia Murphy
Attorney, Agent, or Firm—Reed Smith Shaw & McClay LLP

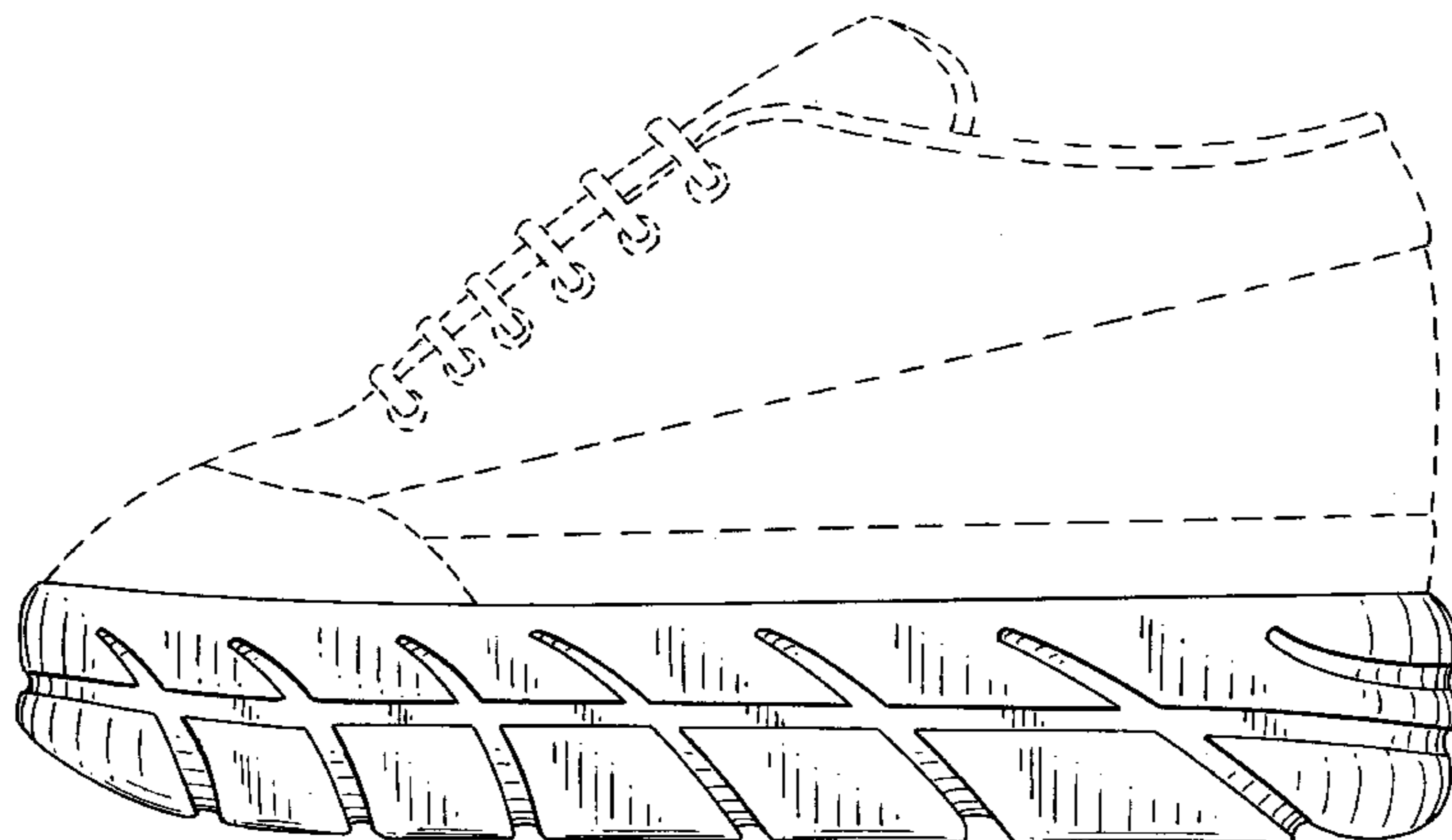
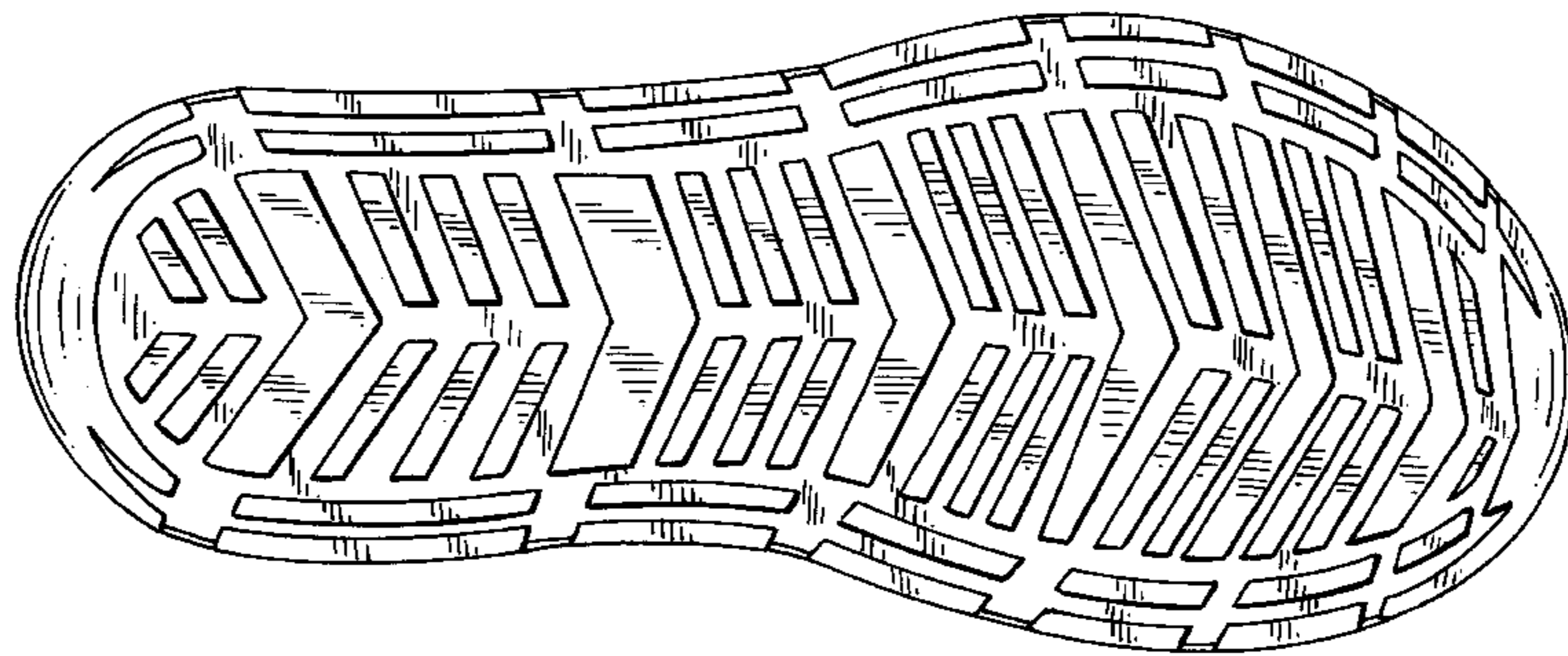
[57] **CLAIM**

The ornamental design for a sole for footwear, as shown and described.

DESCRIPTION

FIG. 1 is a bottom view of a fourth preferred embodiment of the sole for footwear design of the present invention; FIG. 2 is a left side view thereof (the right side view being a mirror image thereof); FIG. 3 is a front view thereof; FIG. 4 is a rear view thereof; and FIG. 5 is a left perspective view thereof; and, FIG. 6 is a bottom perspective view thereof. The broken line showing of the upper portion of the footwear in FIGS. 2-6 is for illustrative purposes only and forms no part of the claimed design.

1 Claim, 5 Drawing Sheets



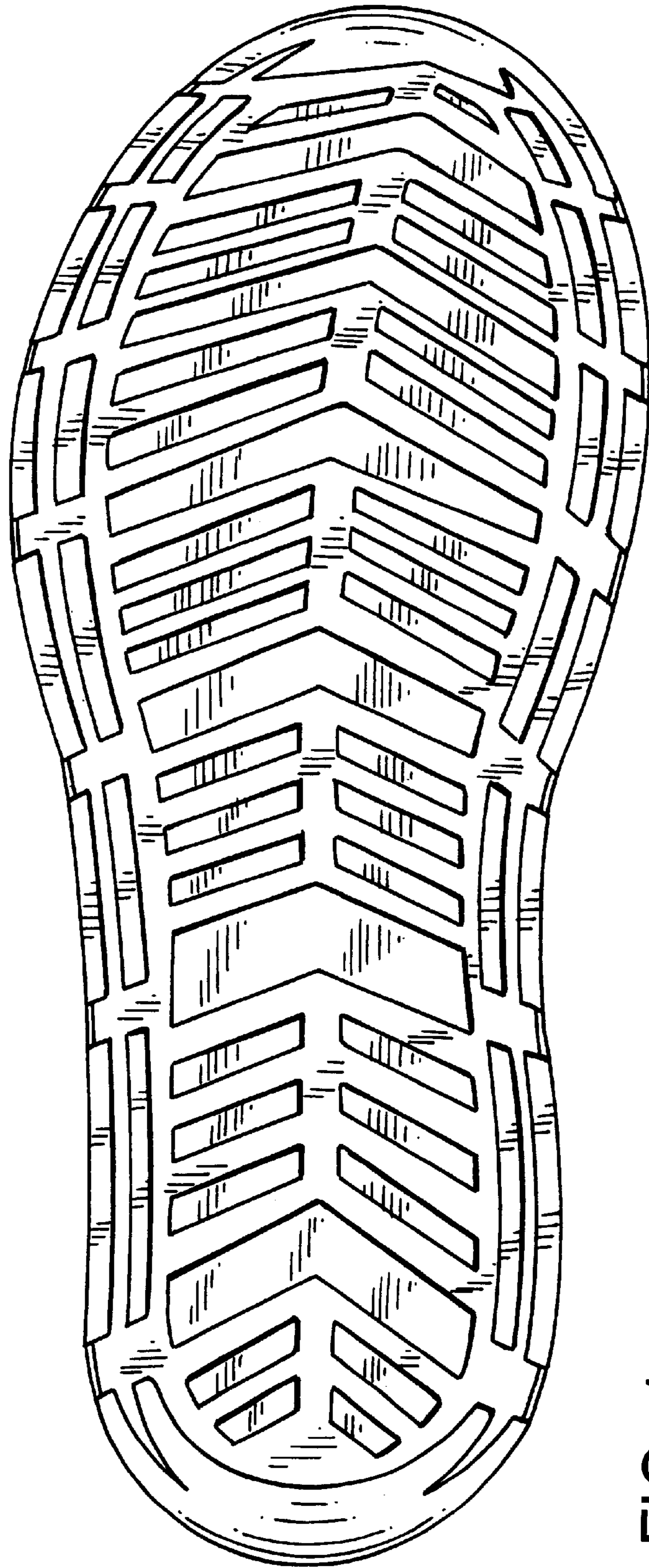


FIG. 1

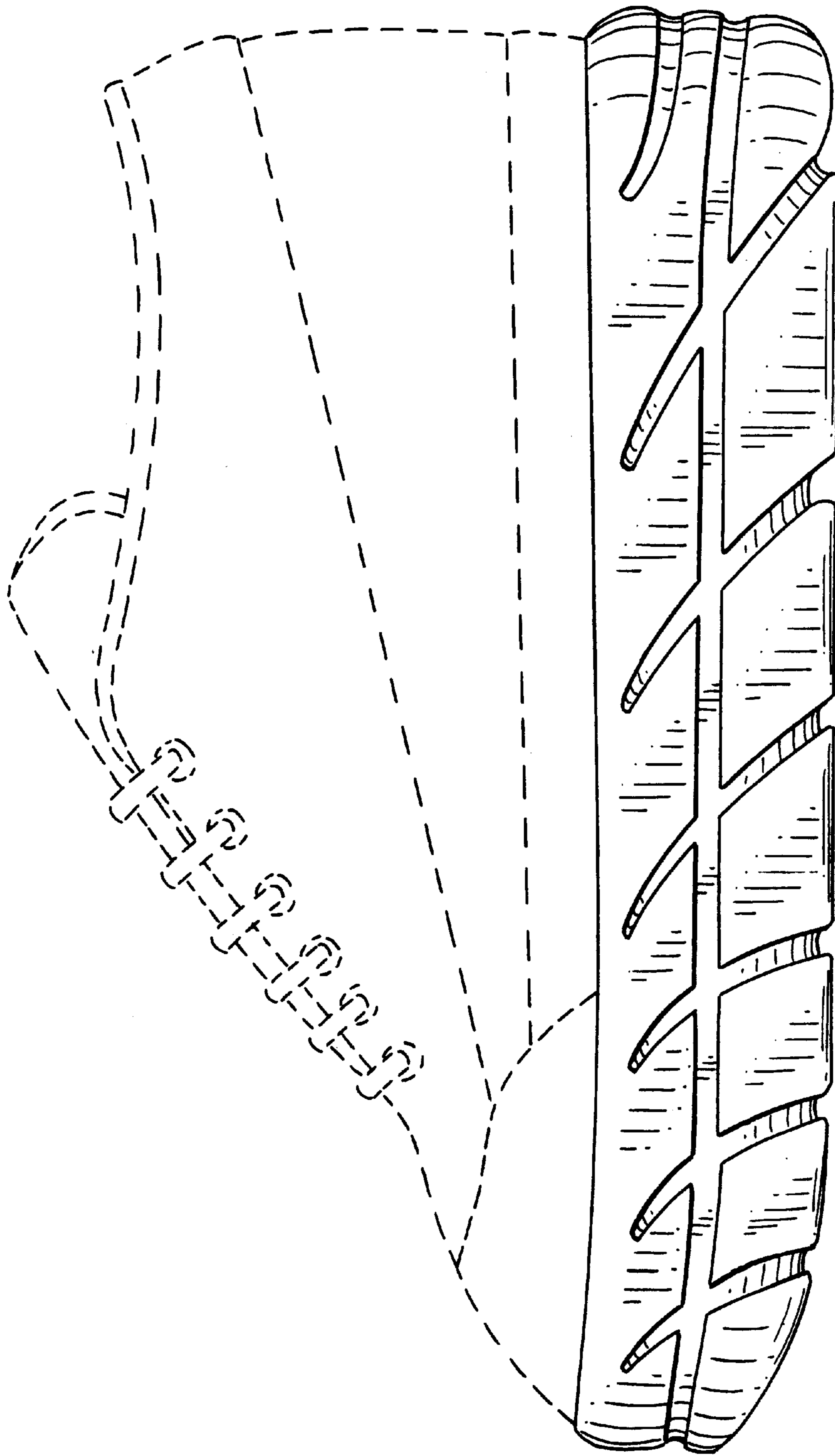


FIG. 2

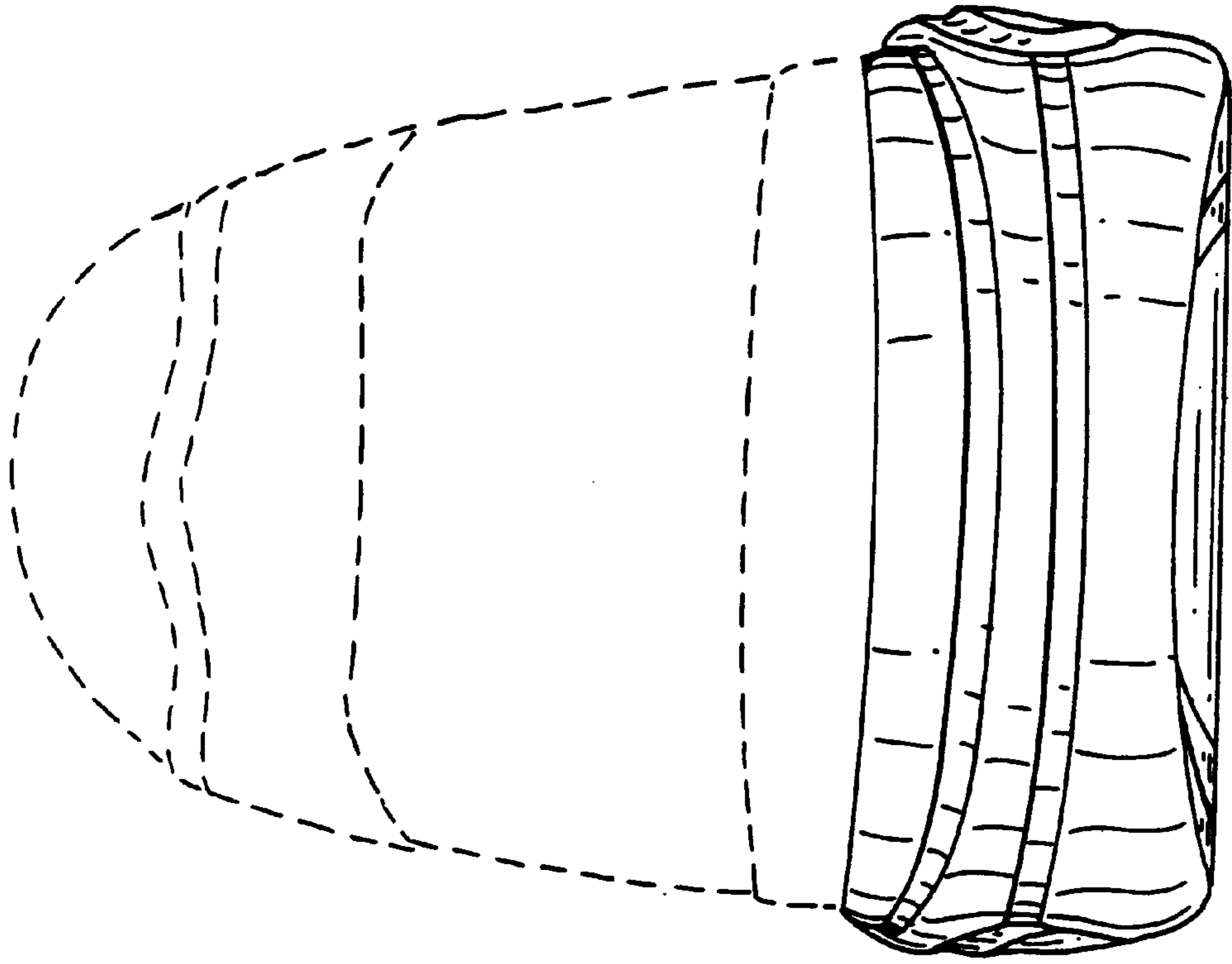


FIG. 4

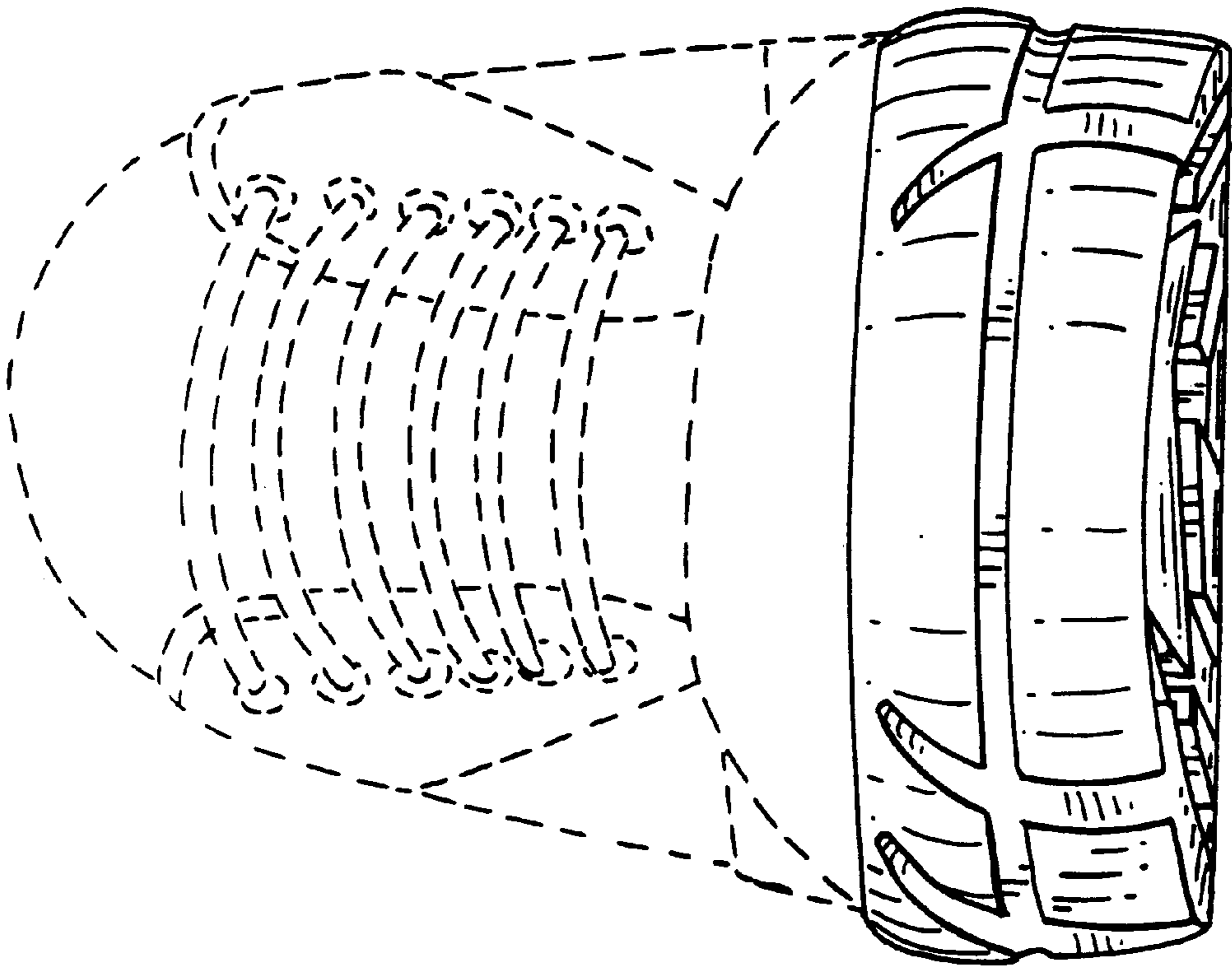


FIG. 3

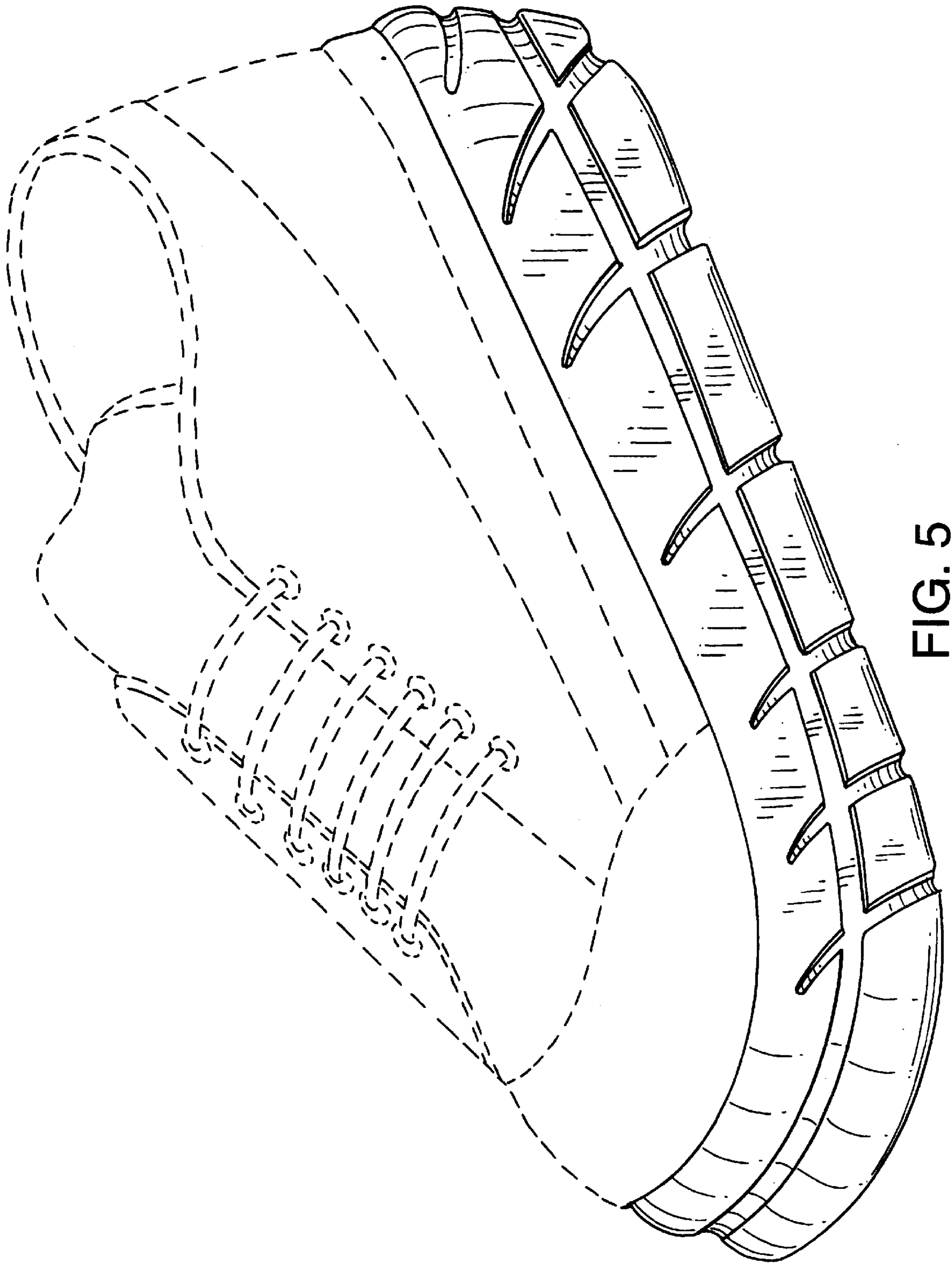


FIG. 5

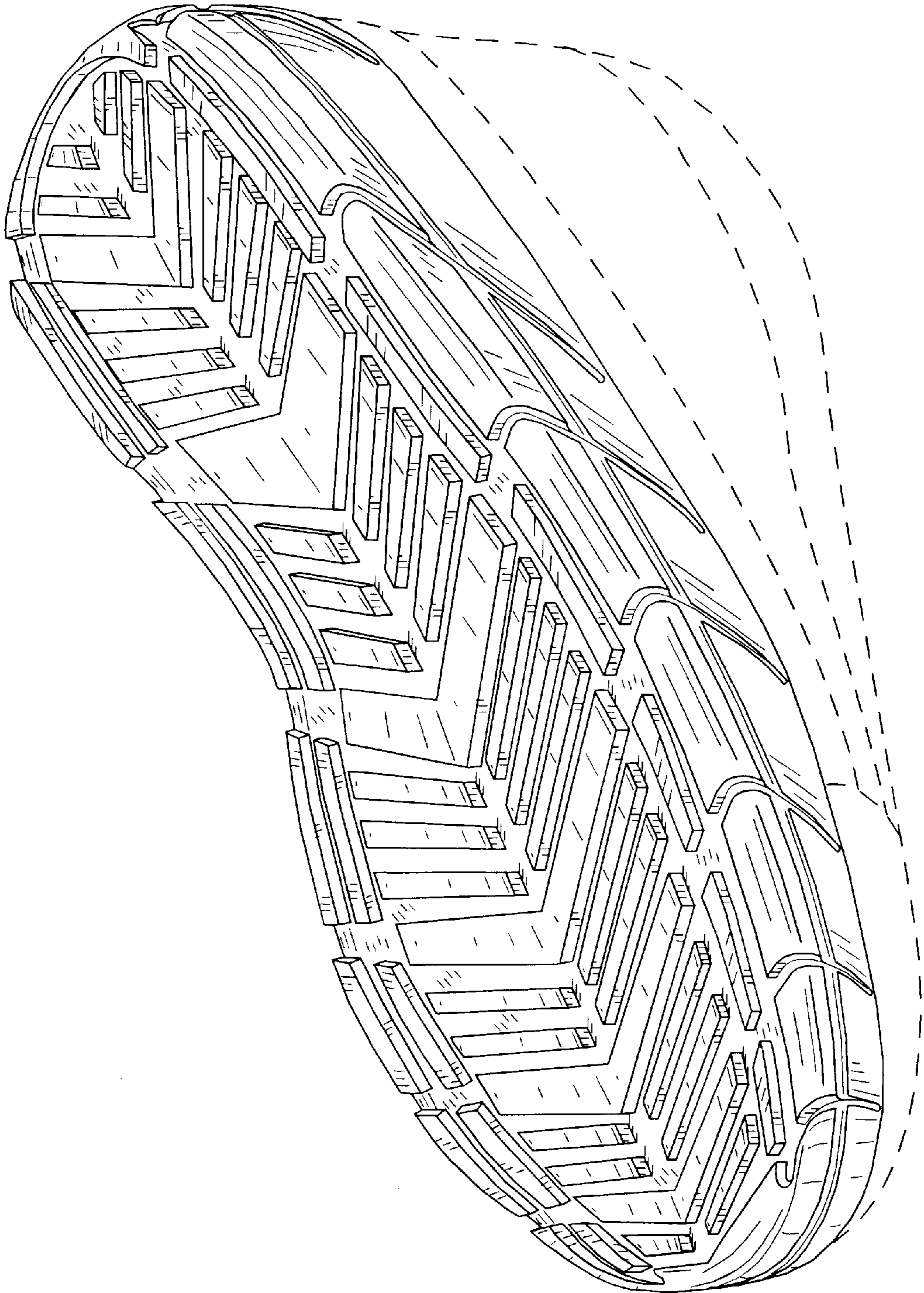


FIG. 6