



US00D428679S

United States Patent [19] Bridge

[11] Patent Number: **Des. 428,679**

[45] Date of Patent: **** Jul. 25, 2000**

[54] **PALLET**

[76] Inventor: **Iain Norman Bridge**, 21 Walton Gardens, Codsall, Wolverhampton, WV8 1AH, United Kingdom

[**] Term: **14 Years**

[21] Appl. No.: **29/088,465**

[22] Filed: **May 26, 1998**

[30] Foreign Application Priority Data

Nov. 26, 1997 [GB] United Kingdom 2070739

[51] **LOC (7) Cl.** **09-08**

[52] **U.S. Cl.** **D34/38**

[58] **Field of Search** D34/38; 188/51.11, 188/53.1, 56.1, 56.3, 52.1, 54.1, 55.3, 57.1; 248/346.1

[56] References Cited

U.S. PATENT DOCUMENTS

D. 217,861 6/1970 Bartee et al. D34/38

D. 410,786 6/1999 Favaron et al. D34/38
3,269,336 8/1966 Naylon et al. 108/51.11
3,393,646 7/1968 Giacobe 108/53.1
5,687,652 11/1997 Ruma 108/56.1
5,690,037 11/1997 Hill 108/51.3

Primary Examiner—Susan J. Lucas
Assistant Examiner—Cynthia Ramirez
Attorney, Agent, or Firm—Adams Law Firm, P.A.

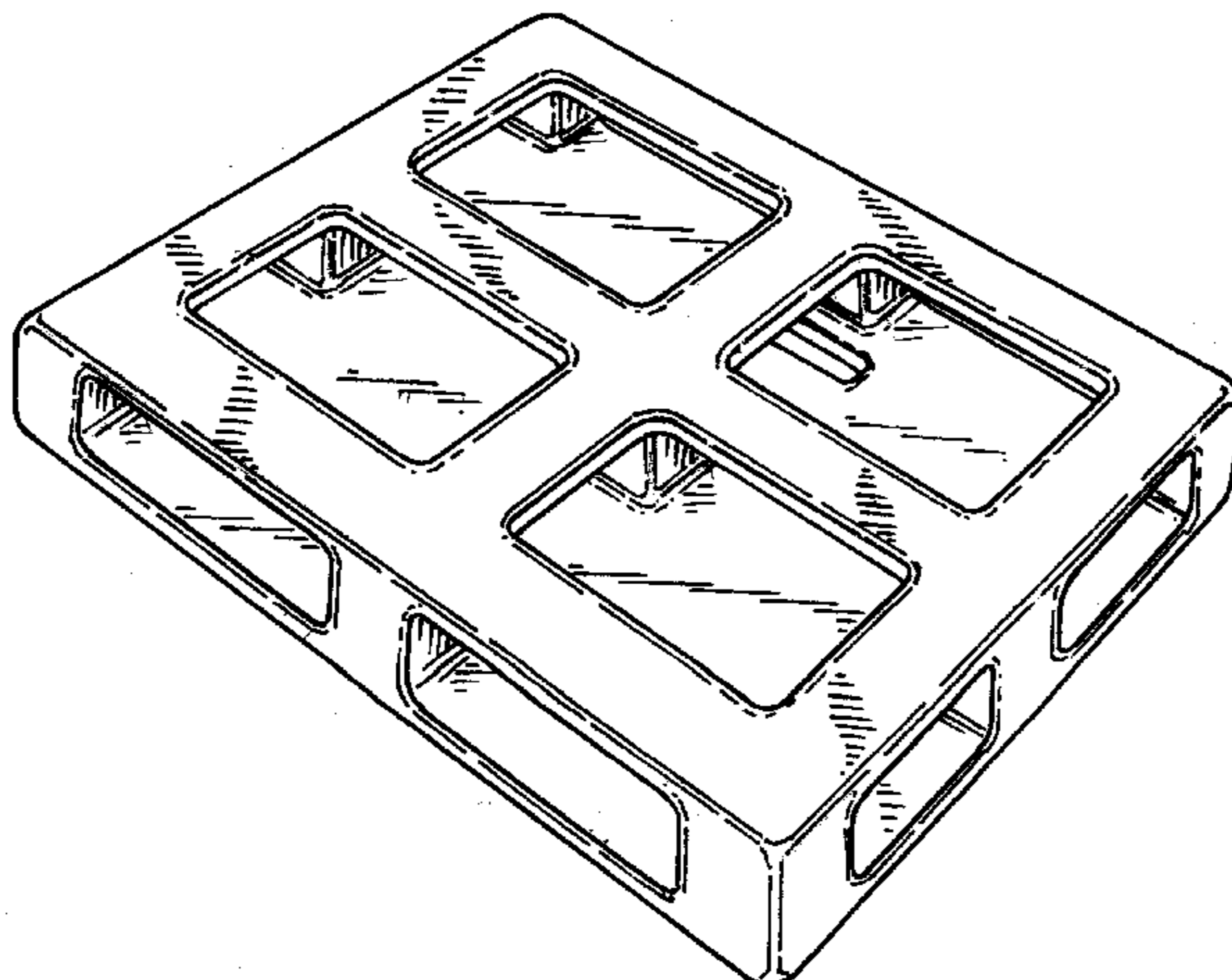
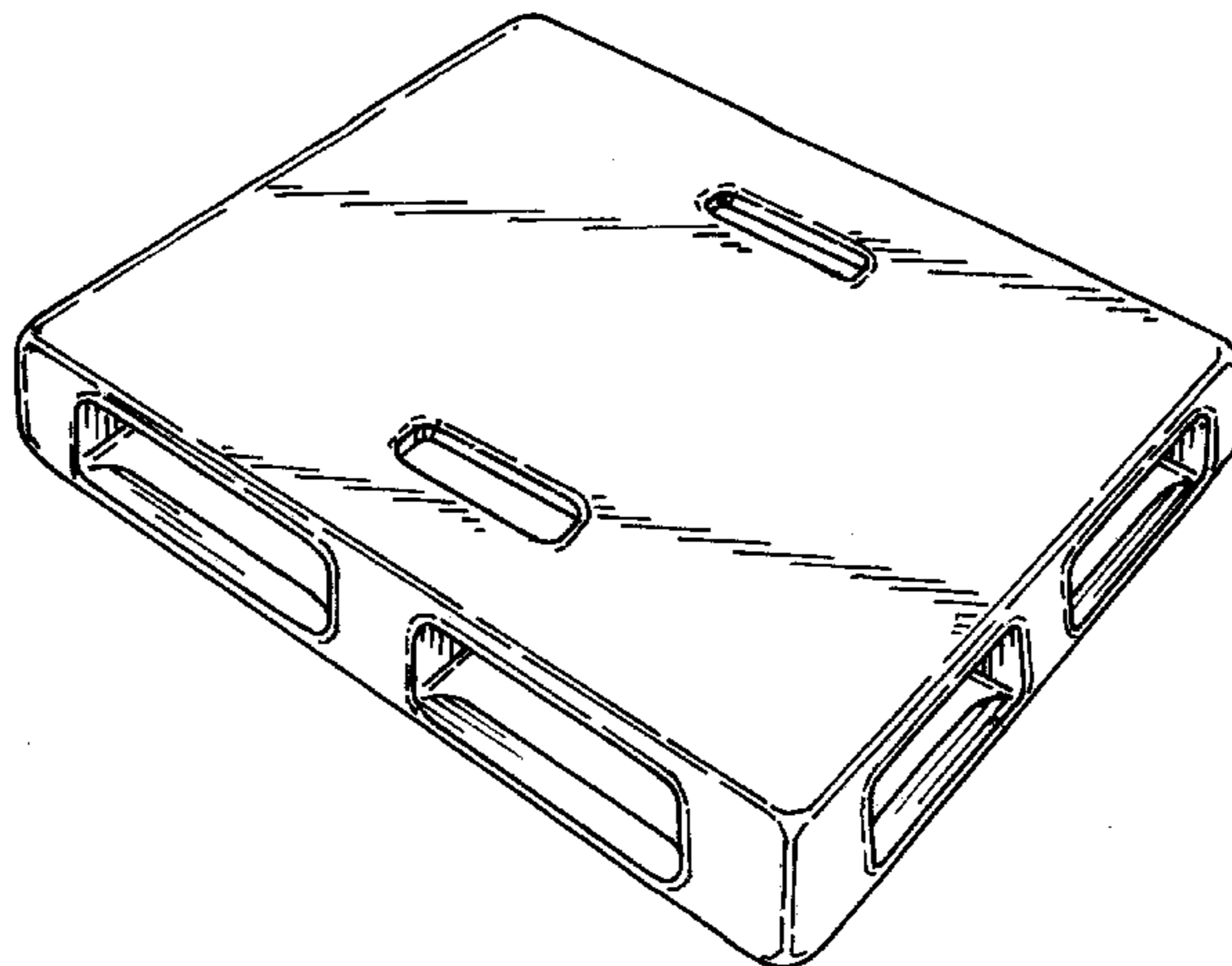
[57] CLAIM

I claim the ornamental design for a pallet, as shown and described.

DESCRIPTION

FIG. 1 is a top plan view of the pallet;
FIG. 2 is a side elevational view of the pallet, the opposite side being a mirror image thereof;
FIG. 3 is an end elevational view of the pallet, the opposite end being a mirror image thereof;
FIG. 4 is a bottom plan view thereof;
FIG. 5 is a top perspective view thereof; and,
FIG. 6 is a bottom perspective view thereof.

1 Claim, 3 Drawing Sheets



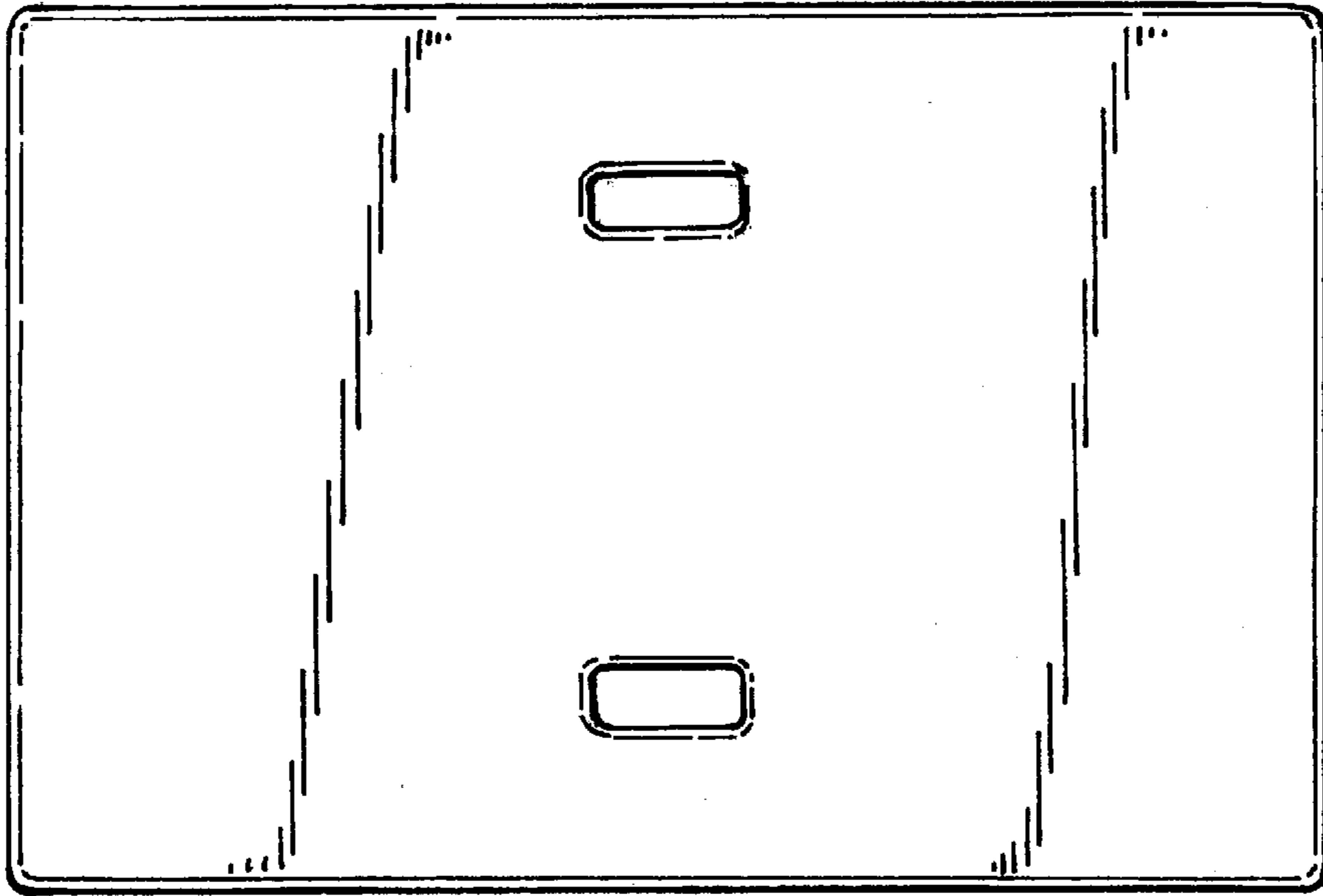


FIG. 1

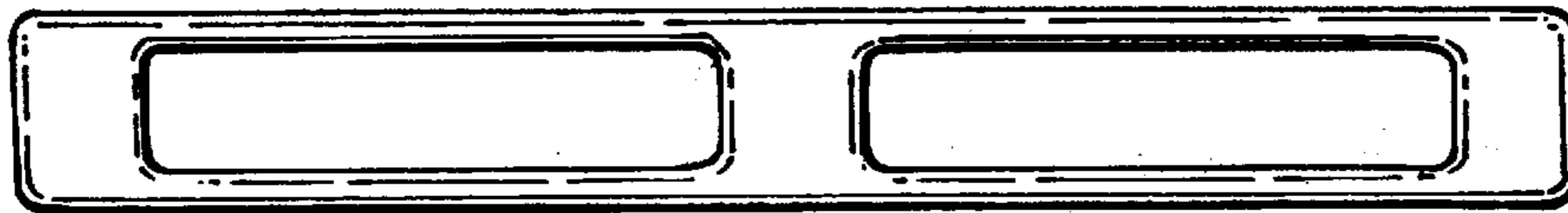
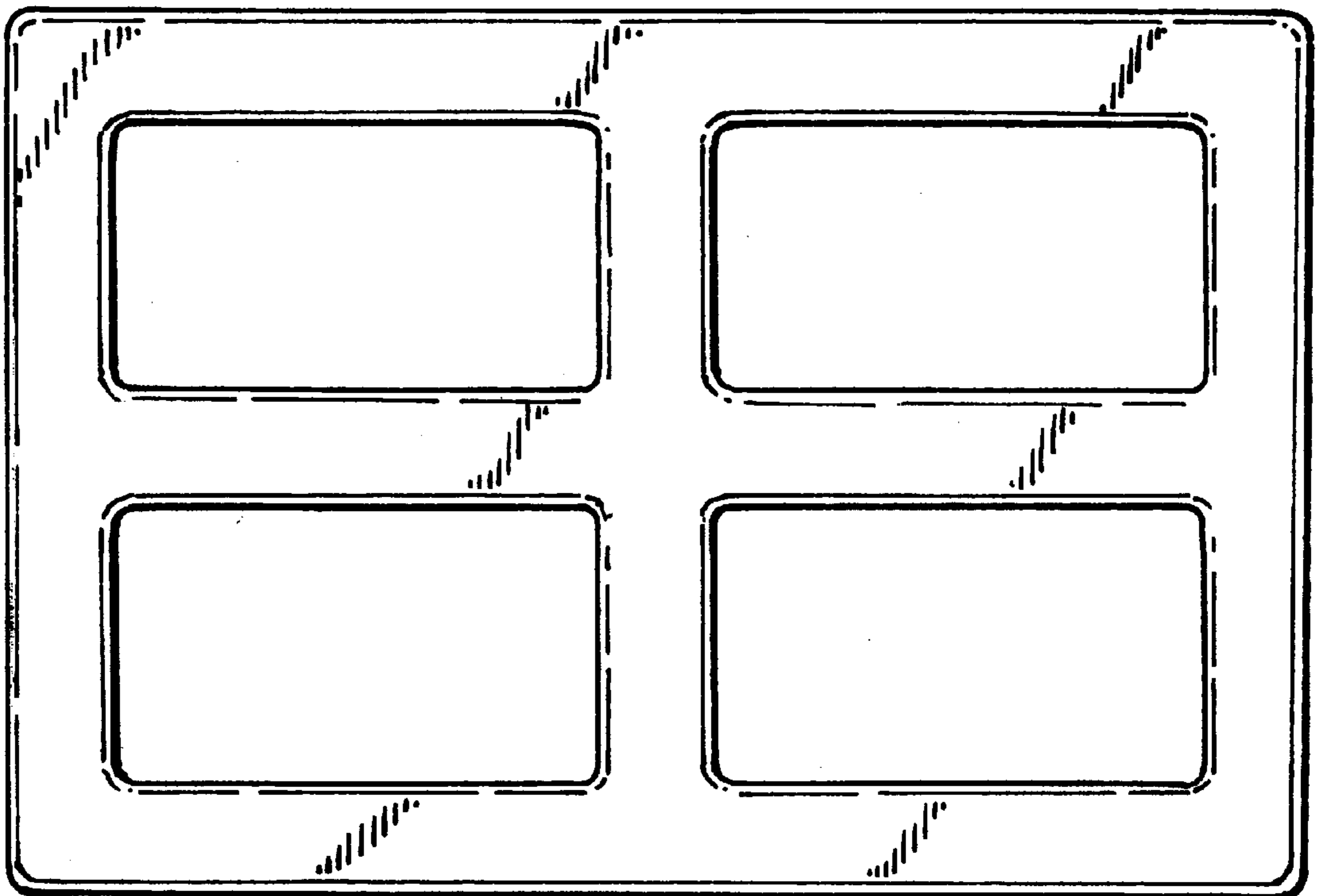


FIG. 2



FIG. 3



FE4

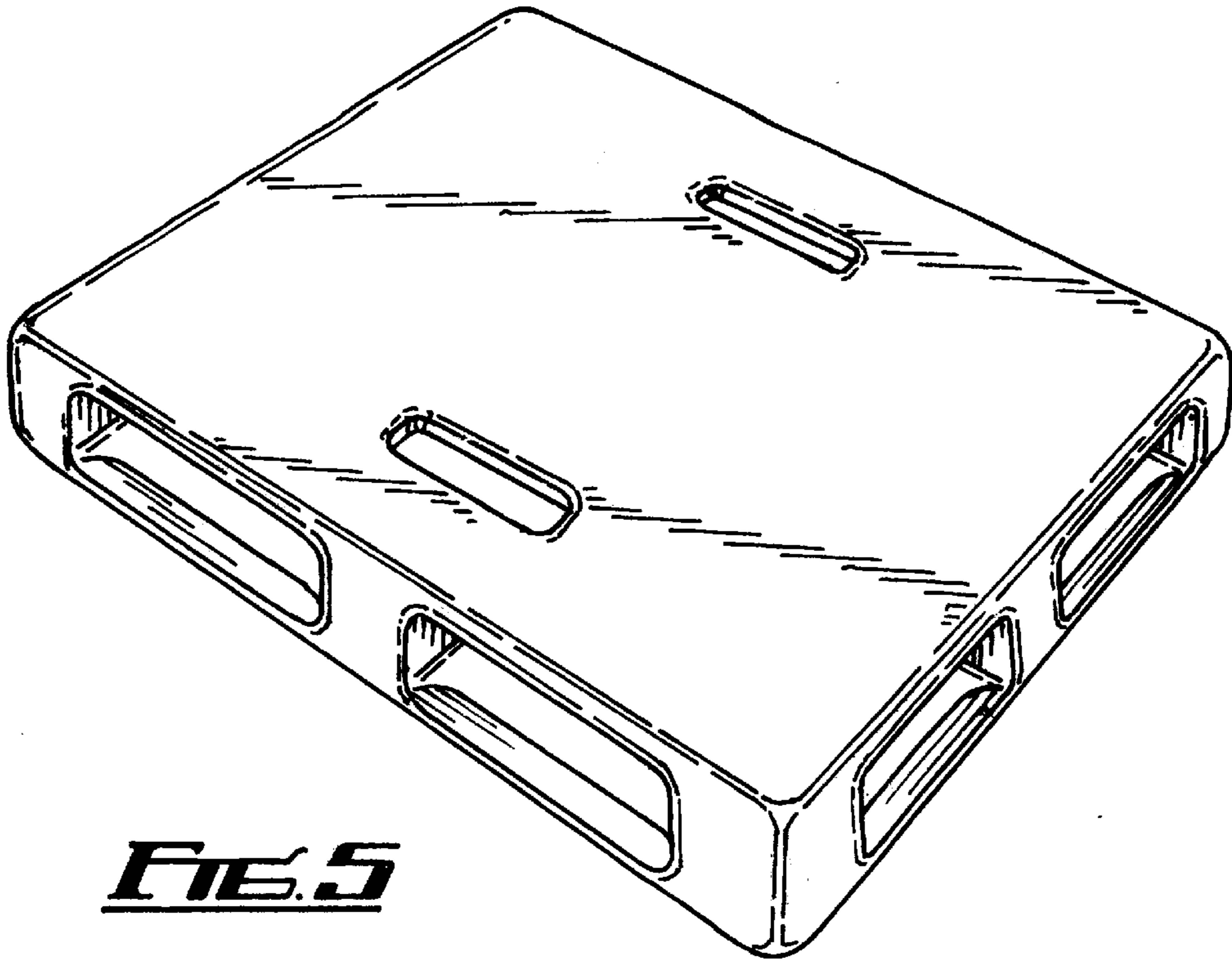


FIG. 5

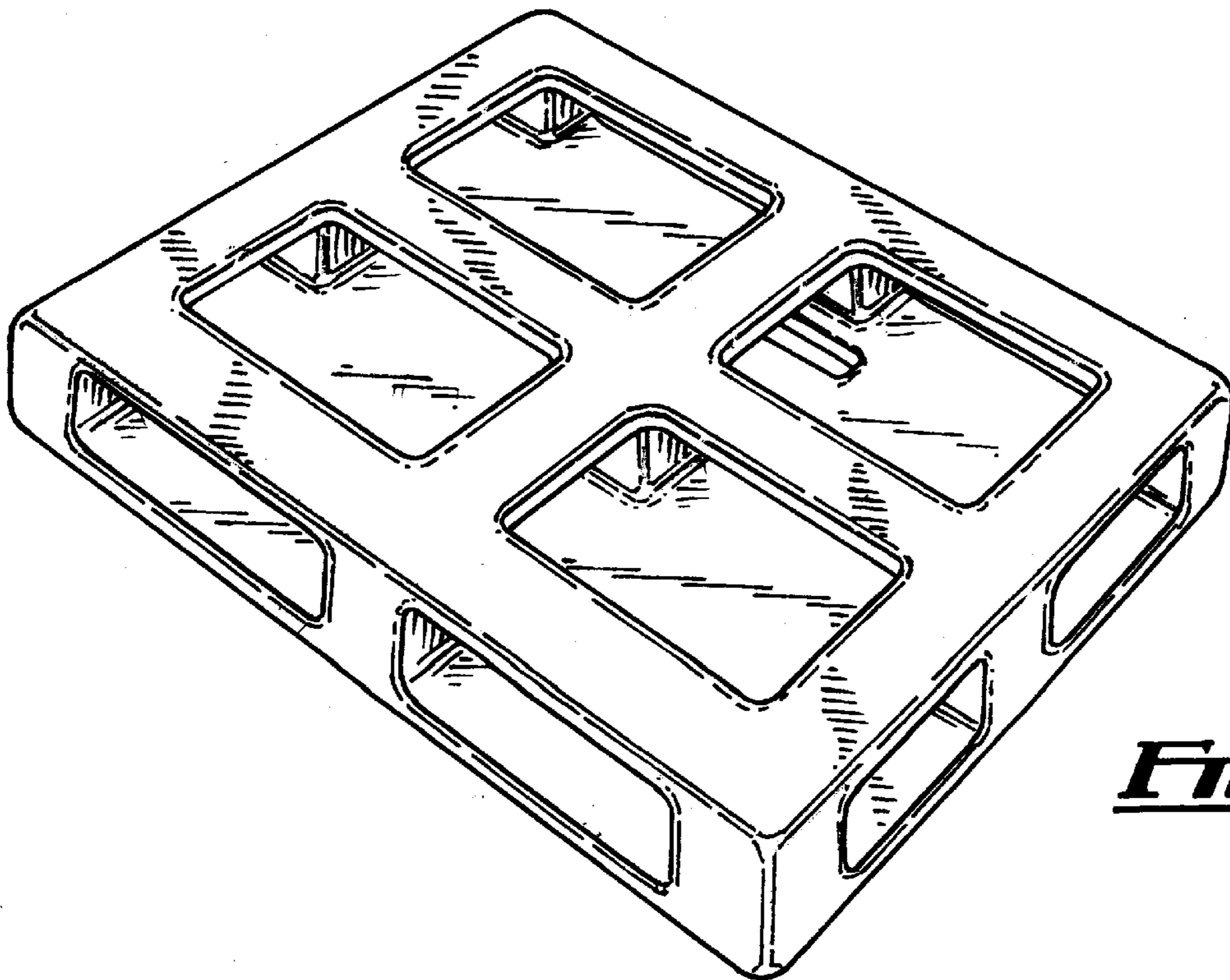


FIG. 6