



US00D428677S

United States Patent [19]

Saunders et al.

[11] Patent Number: **Des. 428,677**

[45] Date of Patent: **** Jul. 25, 2000**

[54] **UPPER HANDLE PORTION OF CARPET EXTRACTOR**

[75] Inventors: **Craig M. Saunders**, Rocky River; **Jeffrey M. Kalman**, Cleveland Heights; **Terry L. Zahuranec**, North Olmsted; **Robert A. Salo**, Mentor; **Richard C. Farone**, Willoughby; **Laurie M. Shumaker**, Talmadge, all of Ohio

[73] Assignee: **Royal Appliance Mfg. Co.**, Cleveland, Ohio

[**] Term: **14 Years**

[21] Appl. No.: **29/098,809**

[22] Filed: **Jan. 6, 1999**

[51] **LOC (7) Cl.** **15-05**

[52] **U.S. Cl.** **D32/34**

[58] **Field of Search** D32/15-16, 19-22, D32/25, 31, 34; D15/9.1, 18; D8/8, 67-69; 15/320, 321, 331, 332, 334, 335, 377, 410, 49.1, 98, 50.1; 439/191; 285/7

[56] **References Cited**

U.S. PATENT DOCUMENTS

- D. 347,500 5/1994 Abe et al. D32/22
- D. 358,241 5/1995 Bradd .
- D. 365,179 12/1995 Bradd D32/31

- D. 387,518 12/1997 Medema D32/22
- D. 398,098 9/1998 Mehaffey et al. D32/22
- D. 403,477 12/1998 Tsujimoto et al. D32/22
- D. 403,482 12/1998 Essex et al. .
- D. 406,928 3/1999 Rowley et al. .
- D. 413,187 8/1999 Wang et al. D32/22
- D. 415,324 10/1999 Wang et al. D32/22
- 5,524,321 6/1996 Weaver et al. .
- 5,784,755 7/1998 Karr et al. .

Primary Examiner—Ruth McInroy
Attorney, Agent, or Firm—Fay, Sharpe, Fagan, Minnich & McKee, LLP

[57] **CLAIM**

The ornamental design for an upper handle portion of carpet extractor, as shown and described.

DESCRIPTION

FIG. 1 is a perspective view of the upper handle portion of a carpet extractor showing our new design; FIG. 2 is a front elevational view thereof; FIG. 3 is a rear elevational view thereof; FIG. 4 is a left side elevational view thereof; FIG. 5 is a right side elevational view thereof; FIG. 6 is a top plan view thereof; and, FIG. 7 is a bottom plan view thereof.

The parts shown in broken lines in FIGS. 1-7 are shown for illustrative purposes only and form no part of the claimed design.

1 Claim, 5 Drawing Sheets

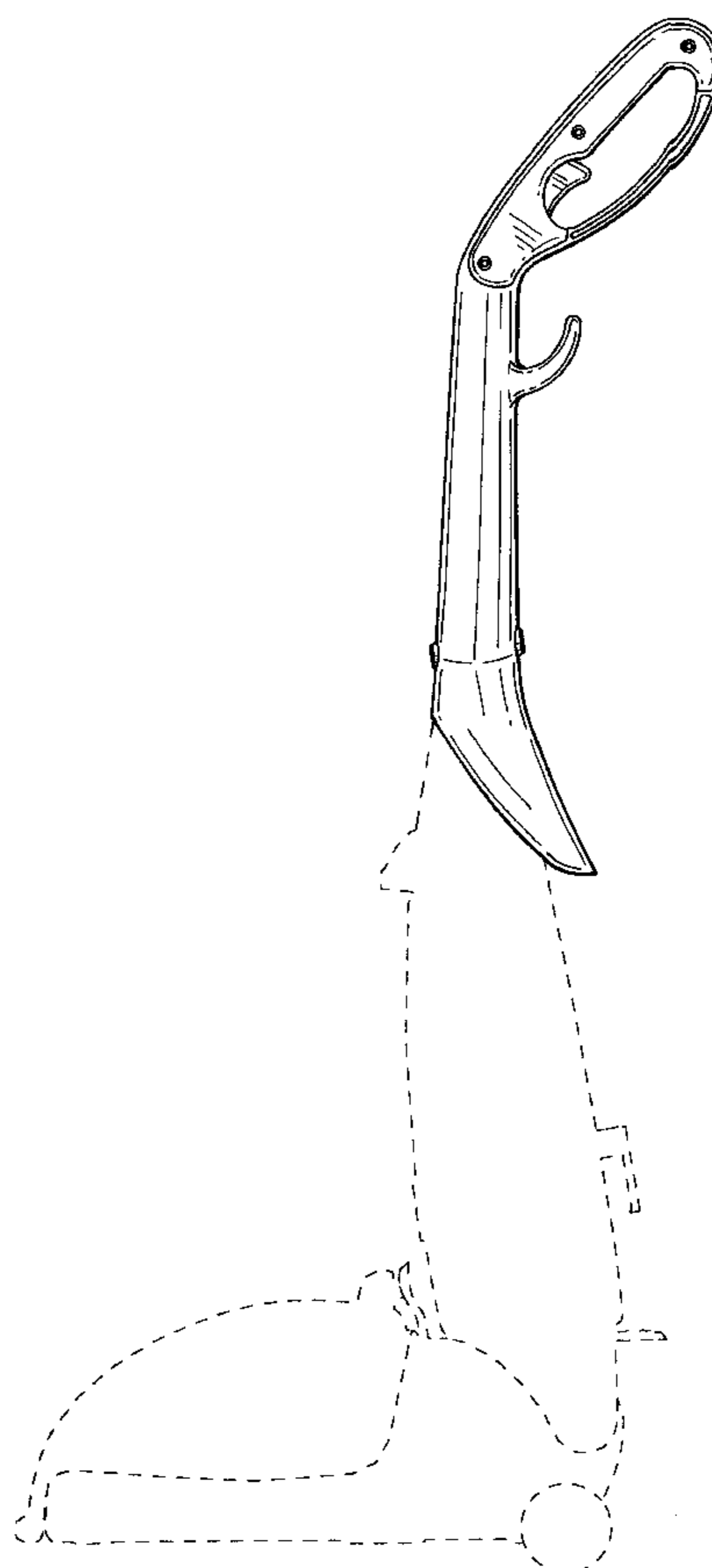
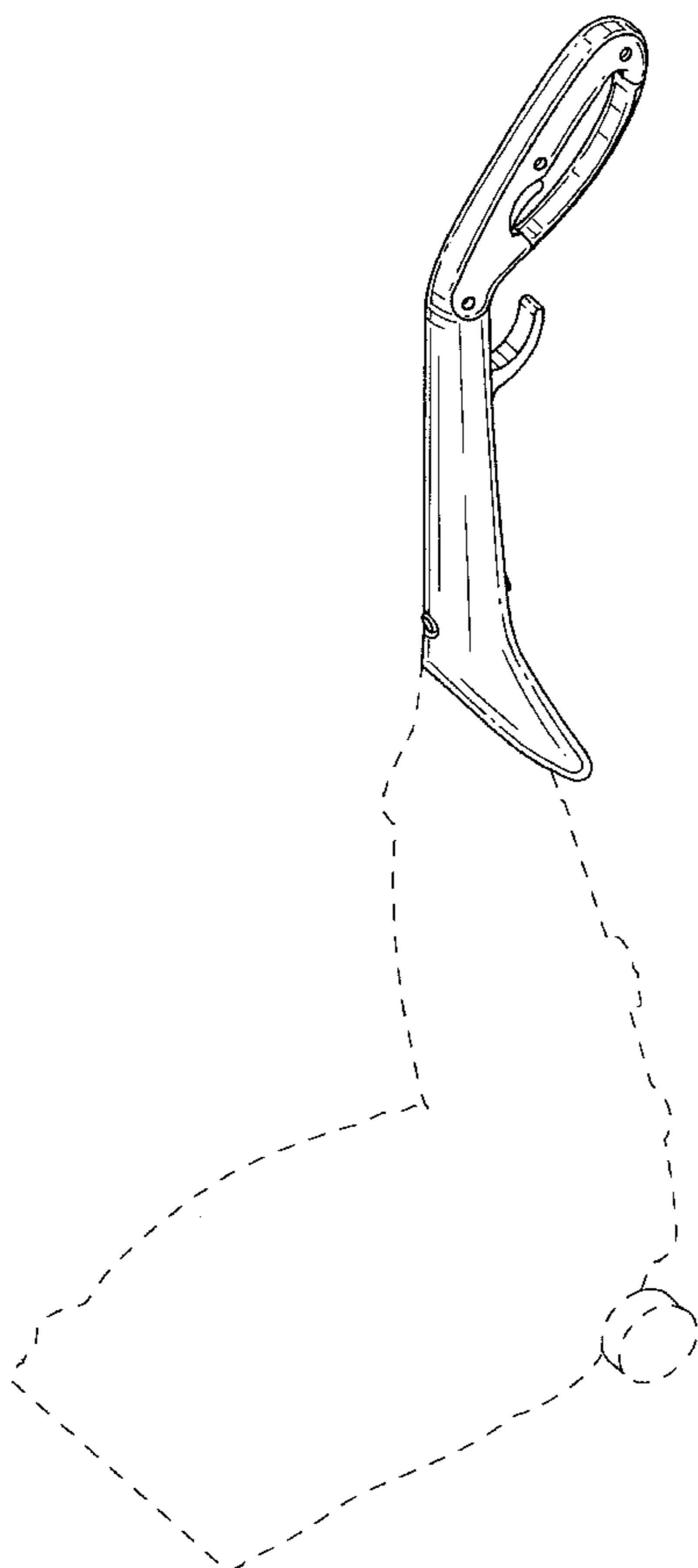


FIG. 1

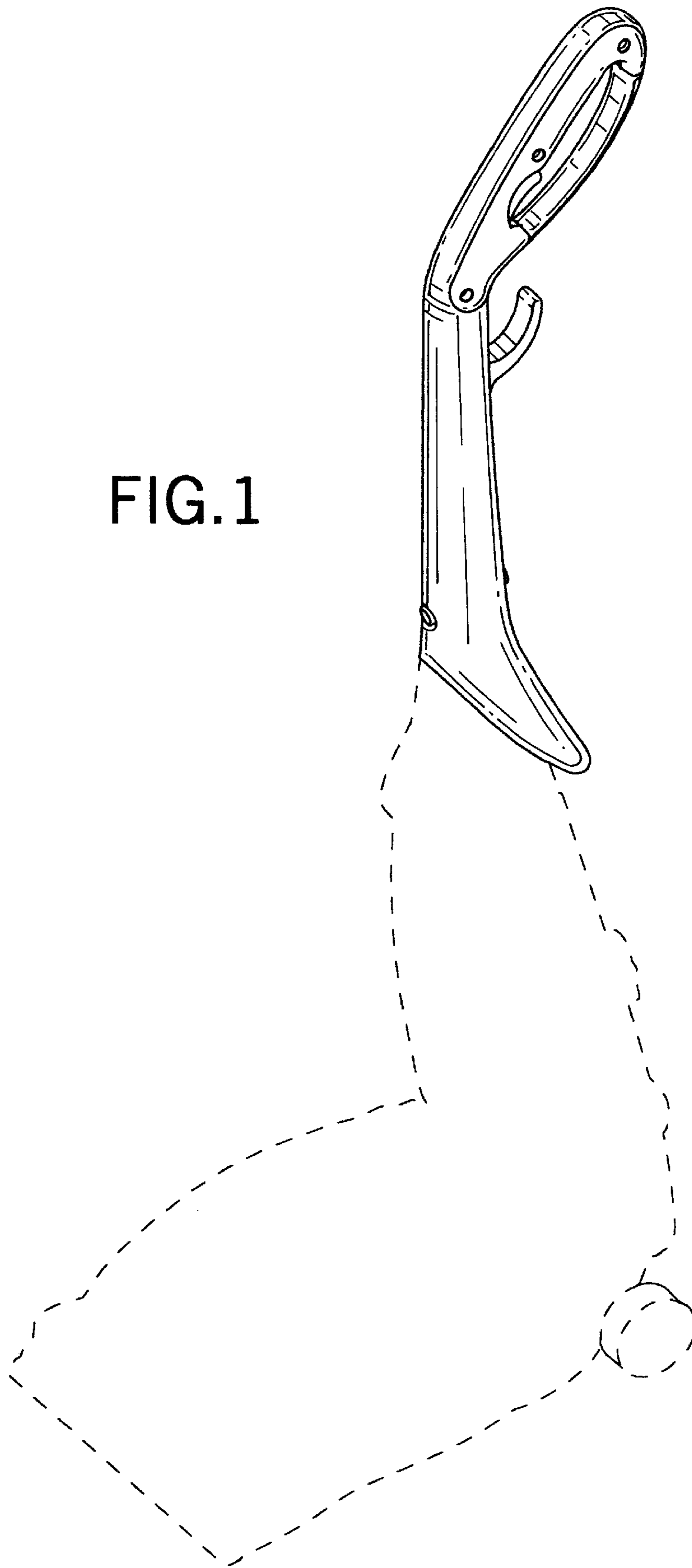


FIG.2

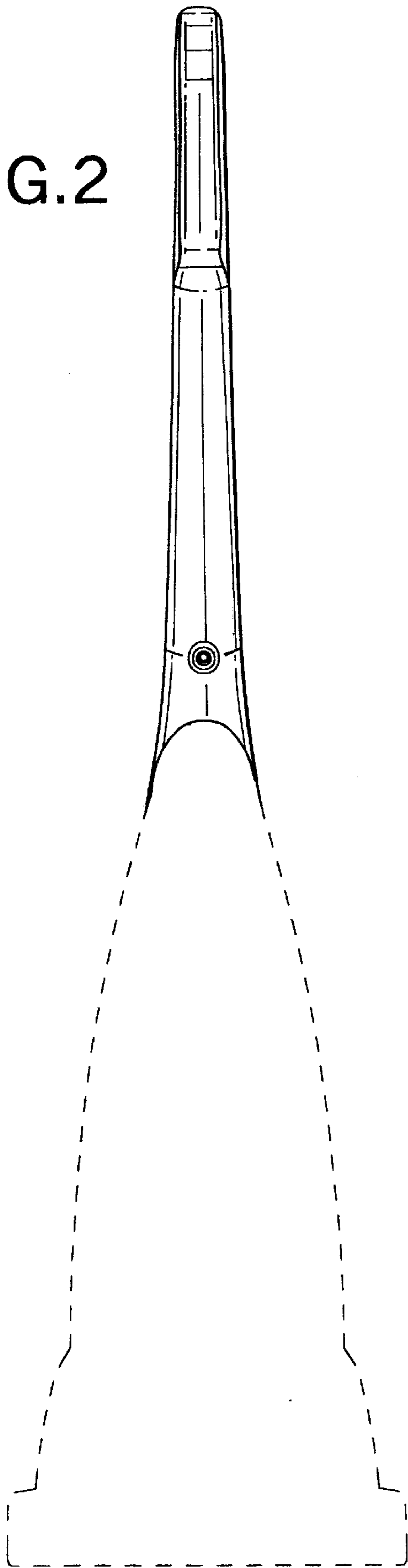
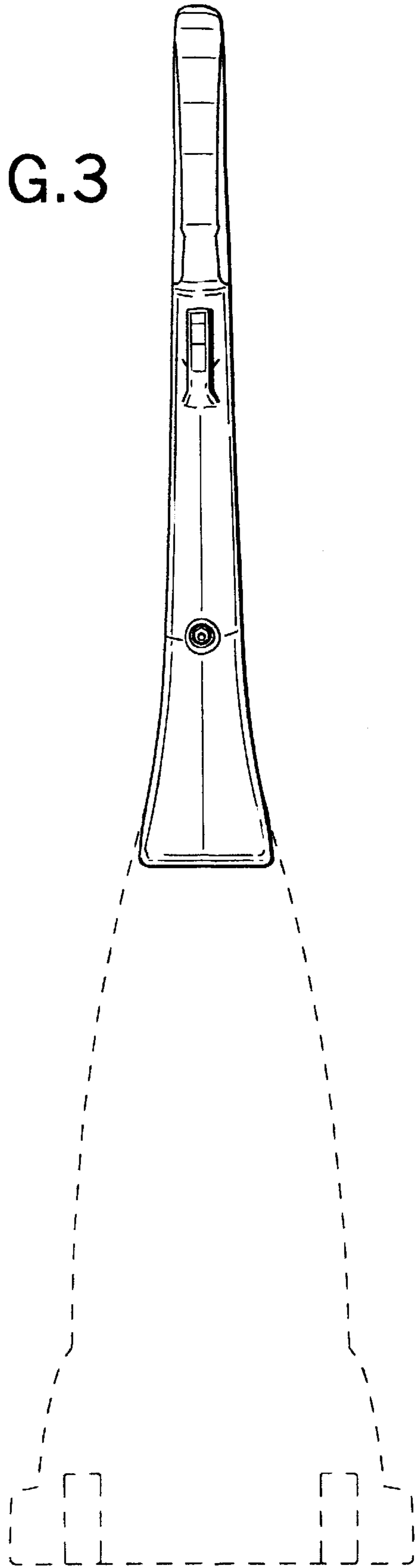


FIG.3



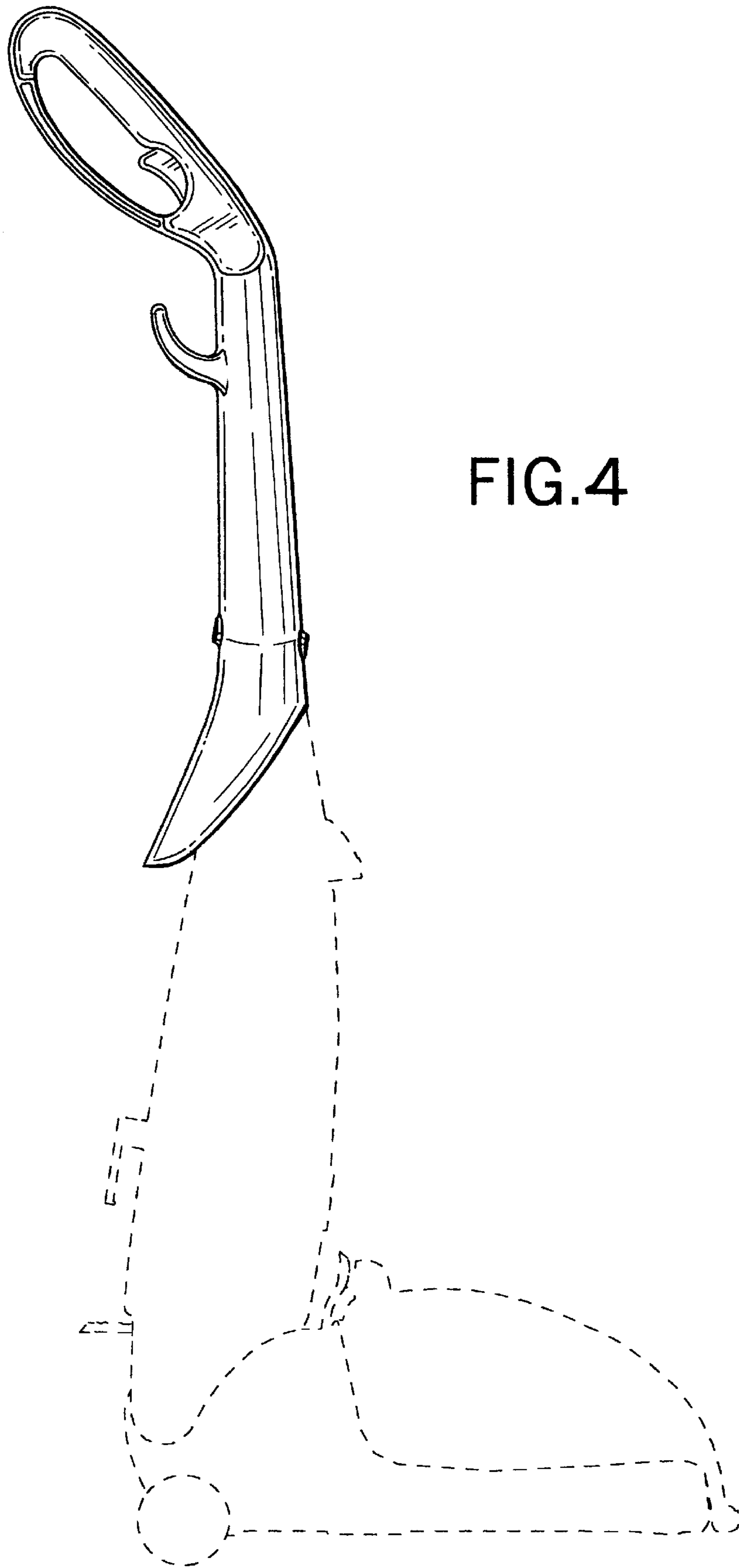
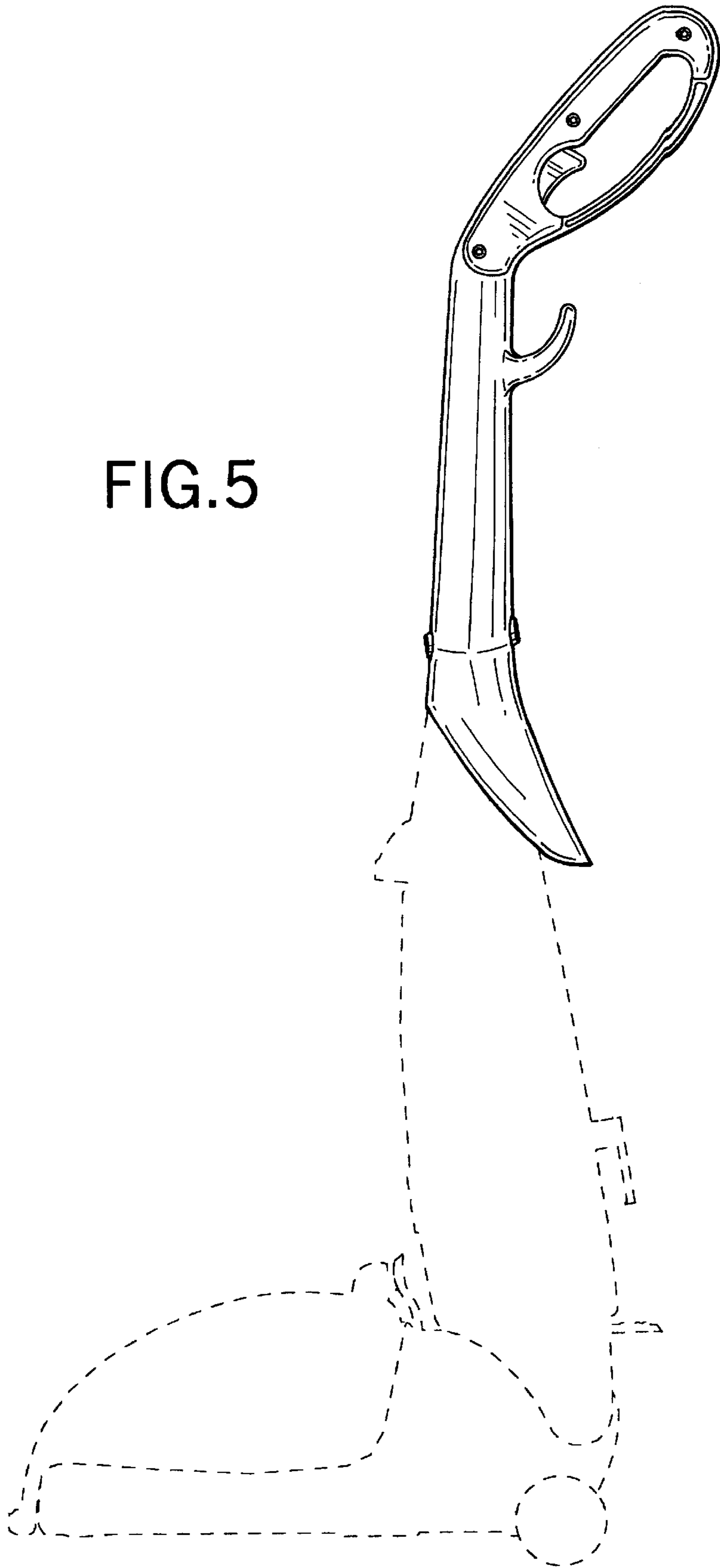


FIG. 4

FIG.5



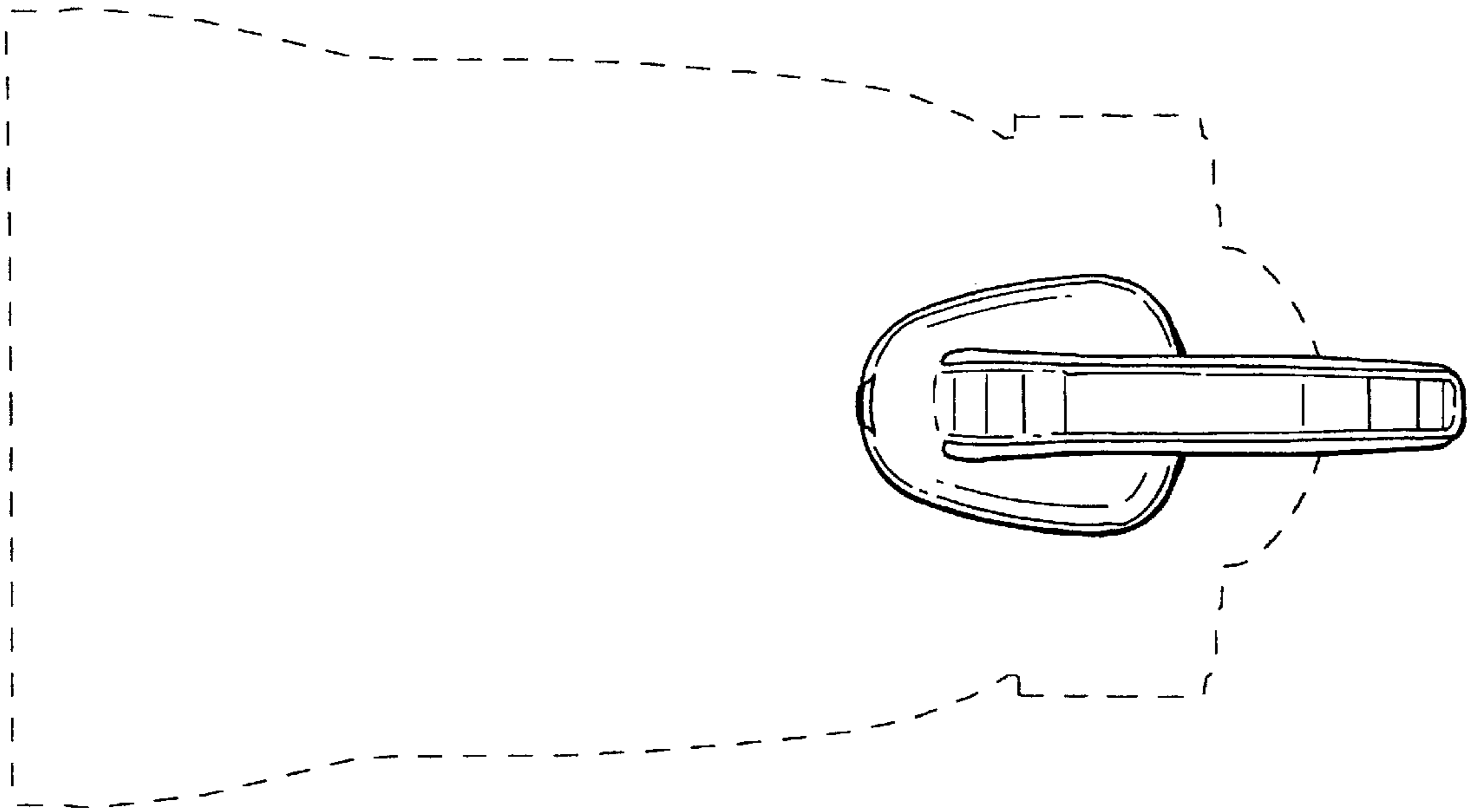


FIG. 6

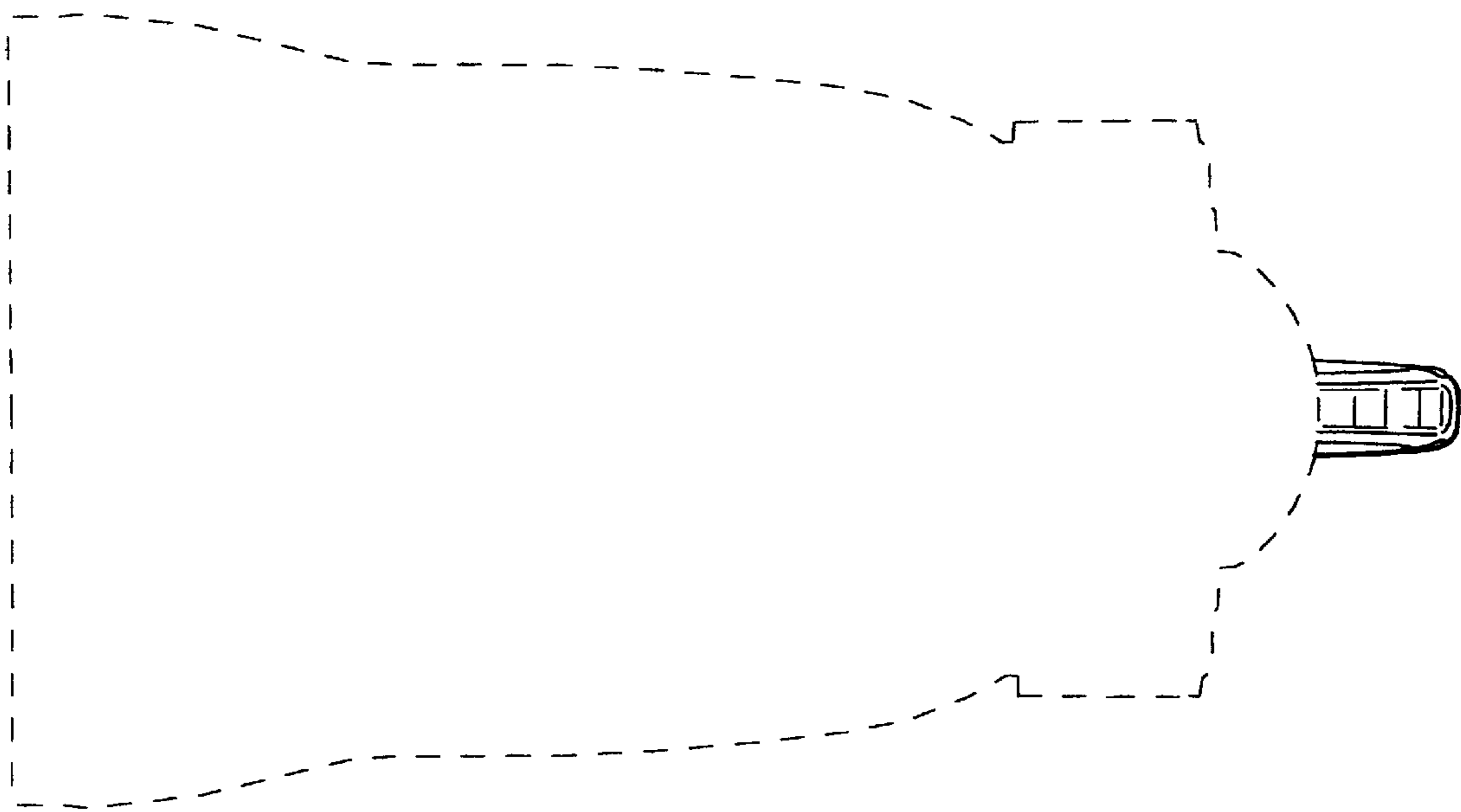


FIG. 7