



US00D428674S

United States Patent [19]
Kim

[11] **Patent Number: Des. 428,674**

[45] **Date of Patent: ** Jul. 25, 2000**

[54] **CASE FOR AN AQUARIUM PUMP AND ACCESSORIES**

[75] Inventor: **Dong Chul Kim**, Kyonggi-Do, Rep. of Korea

[73] Assignee: **Chung Suk Co., Ltd.**, Rep. of Korea

[**] Term: **14 Years**

[21] Appl. No.: **29/107,751**

[22] Filed: **Jul. 13, 1999**

[51] **LOC (7) Cl.** **30-02**

[52] **U.S. Cl.** **D30/106**

[58] **Field of Search** D30/106, 107, D30/108, 109, 199; D32/21, 24; D3/315, 272, 273, 276, 280; 119/245, 269

[56] **References Cited**

U.S. PATENT DOCUMENTS

D. 250,223	11/1978	Felix	D3/280
D. 344,165	2/1994	Kuriya	D32/21
D. 363,367	10/1995	Hampel	D30/108
D. 394,527	5/1998	Pochopien et al.	D32/21

Primary Examiner—Louis S. Zarfes
Assistant Examiner—Catherine R. Oliver
Attorney, Agent, or Firm—Kevin L. Daffer; Conley, Rose & Tayon

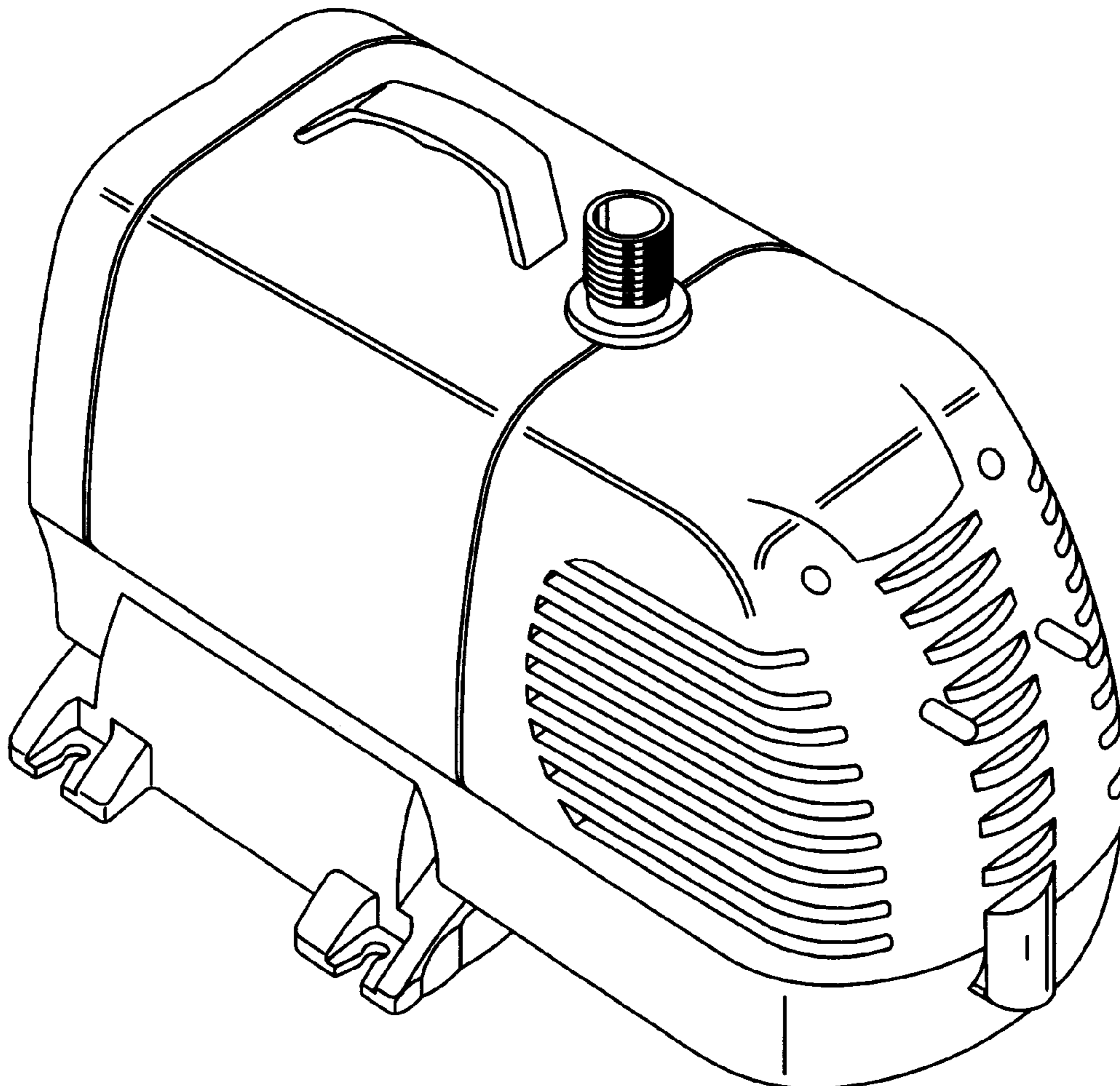
[57] **CLAIM**

The ornamental design of a case for an aquarium pump and accessories, as shown and described.

DESCRIPTION

FIG. 1 is a front perspective view of a case for an aquarium pump and accessories of my new design;
FIG. 2 is a front elevational view thereof;
FIG. 3 is a rear elevational view thereof;
FIG. 4 is a right side elevational view thereof, with the left side elevational view being a mirror image of the opposing right side;
FIG. 5 is a top plan view thereof;
FIG. 6 is a bottom plan view thereof; and,
FIG. 7 is a front perspective view of the case for an aquarium pump accompanying an inlet adapter and power supply cord accessories in accordance with my new design.

1 Claim, 6 Drawing Sheets



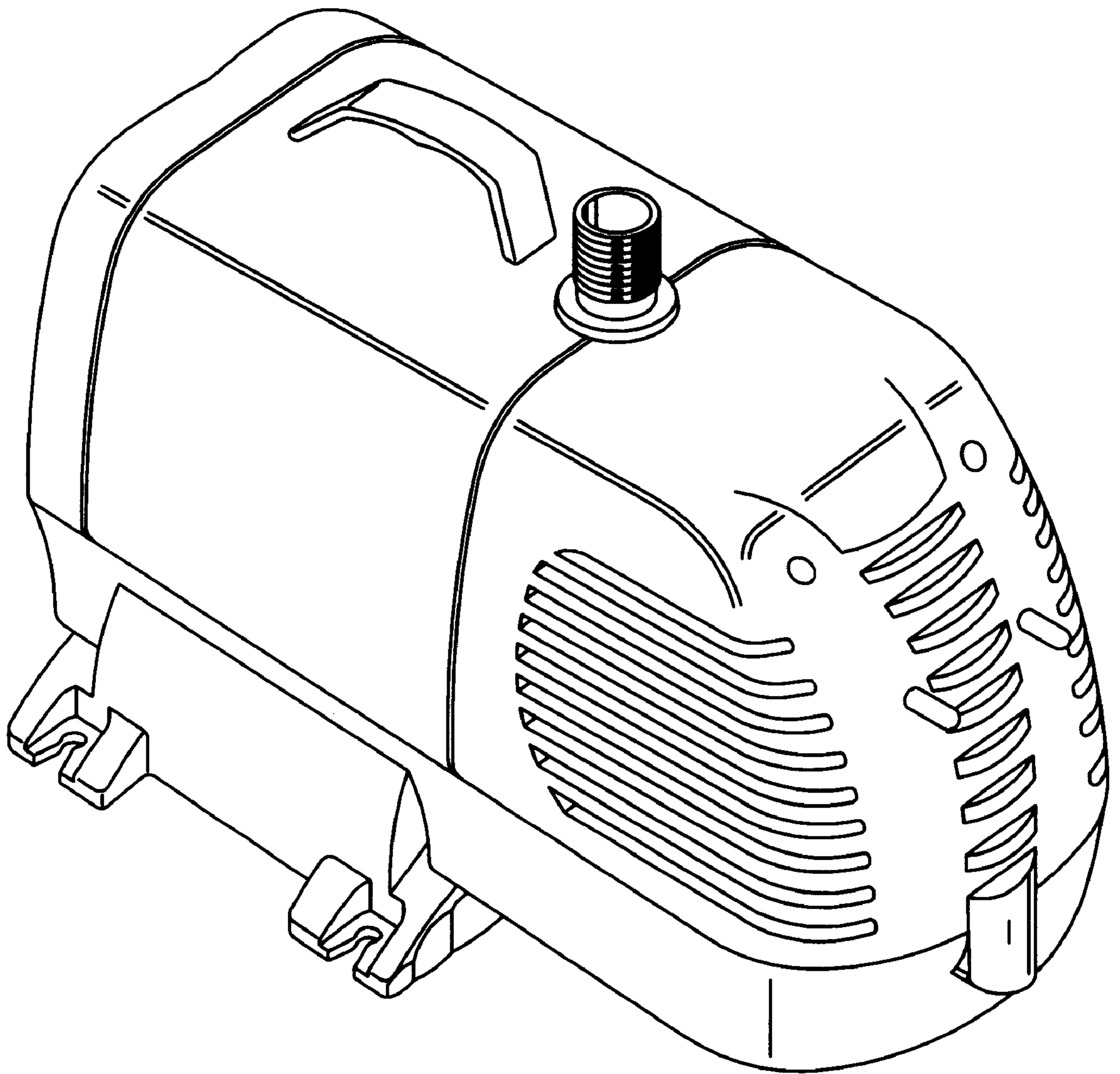


FIG. 1

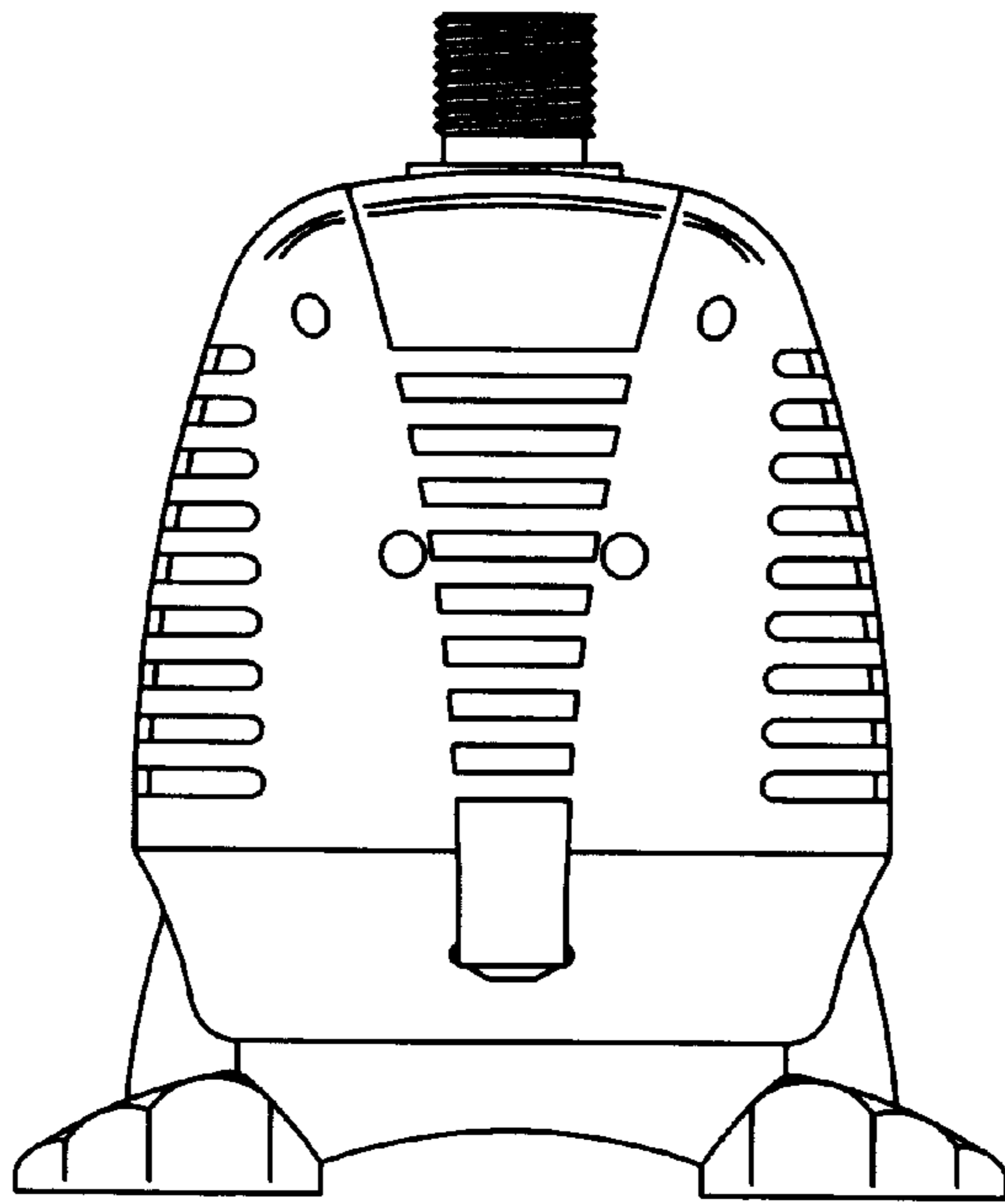


FIG. 2

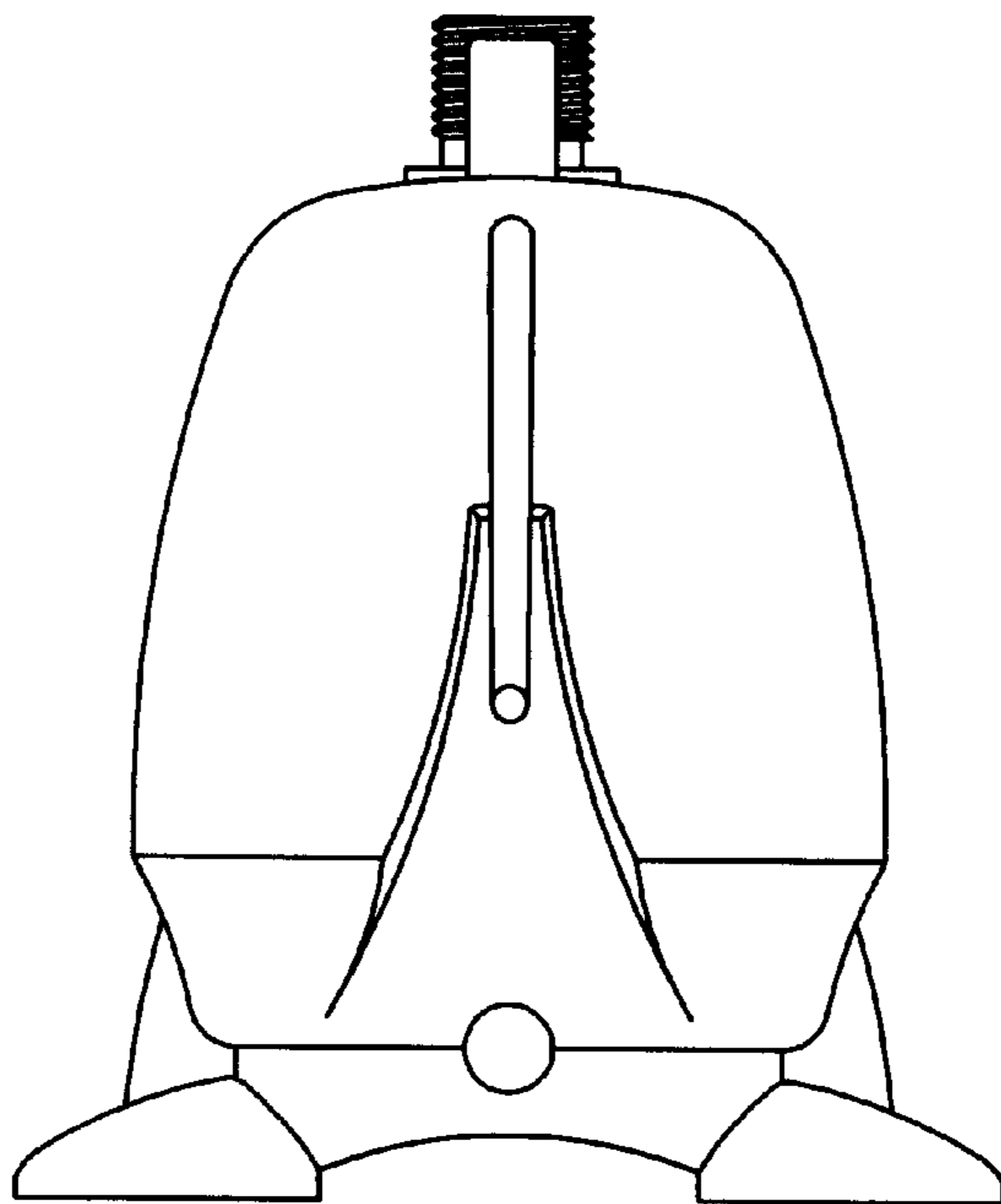


FIG. 3

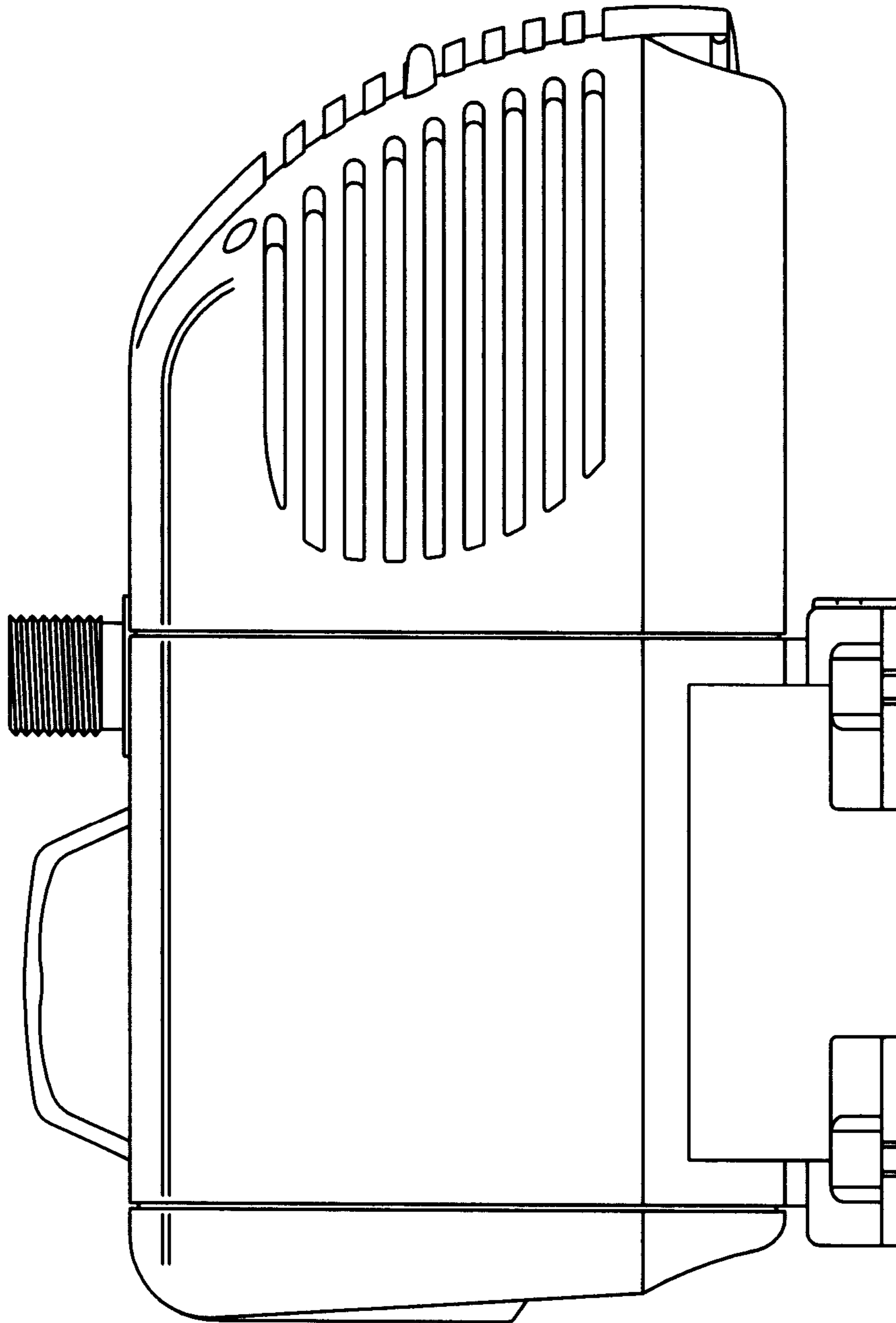


FIG. 4

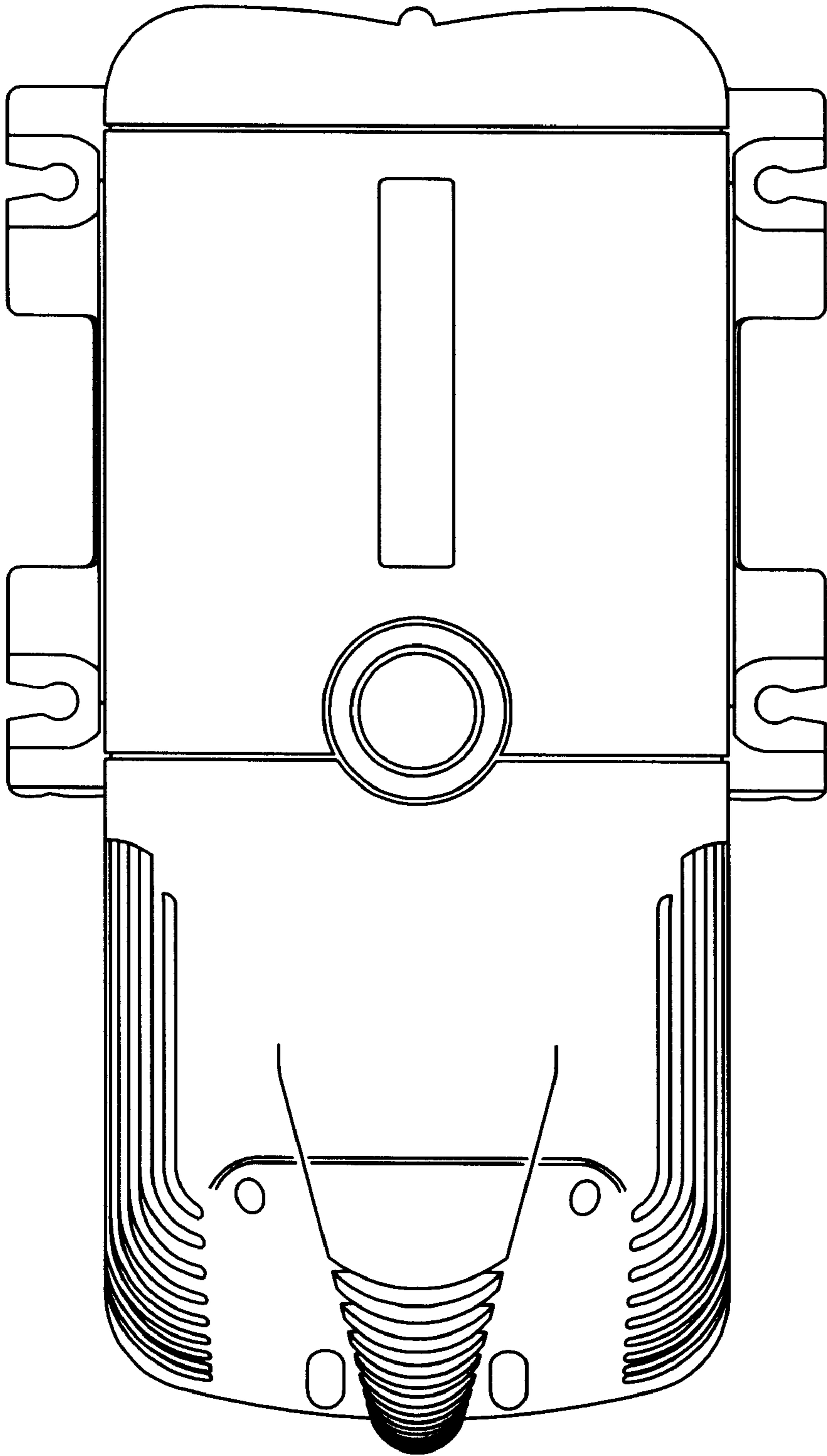


FIG. 5

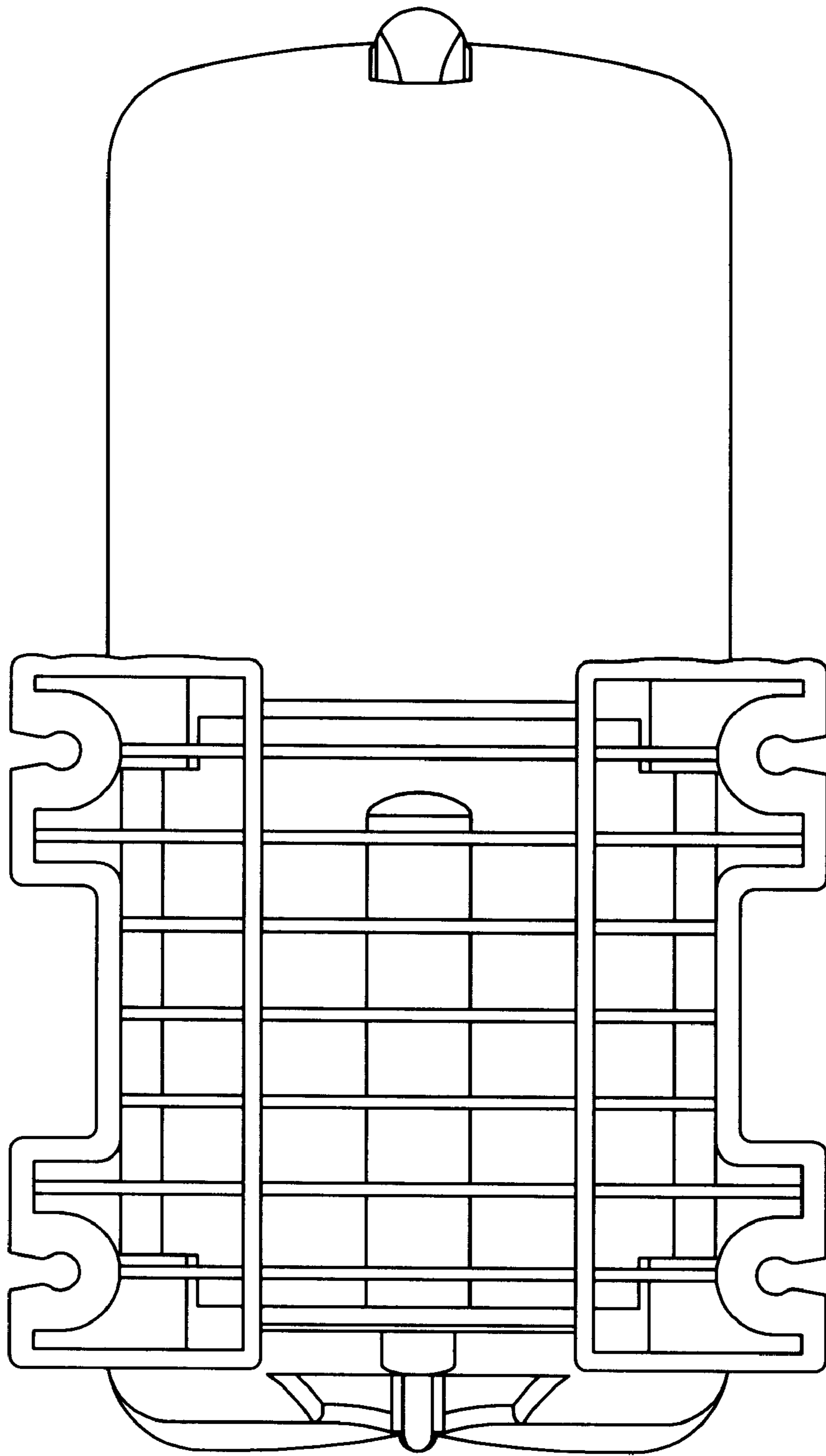


FIG. 6

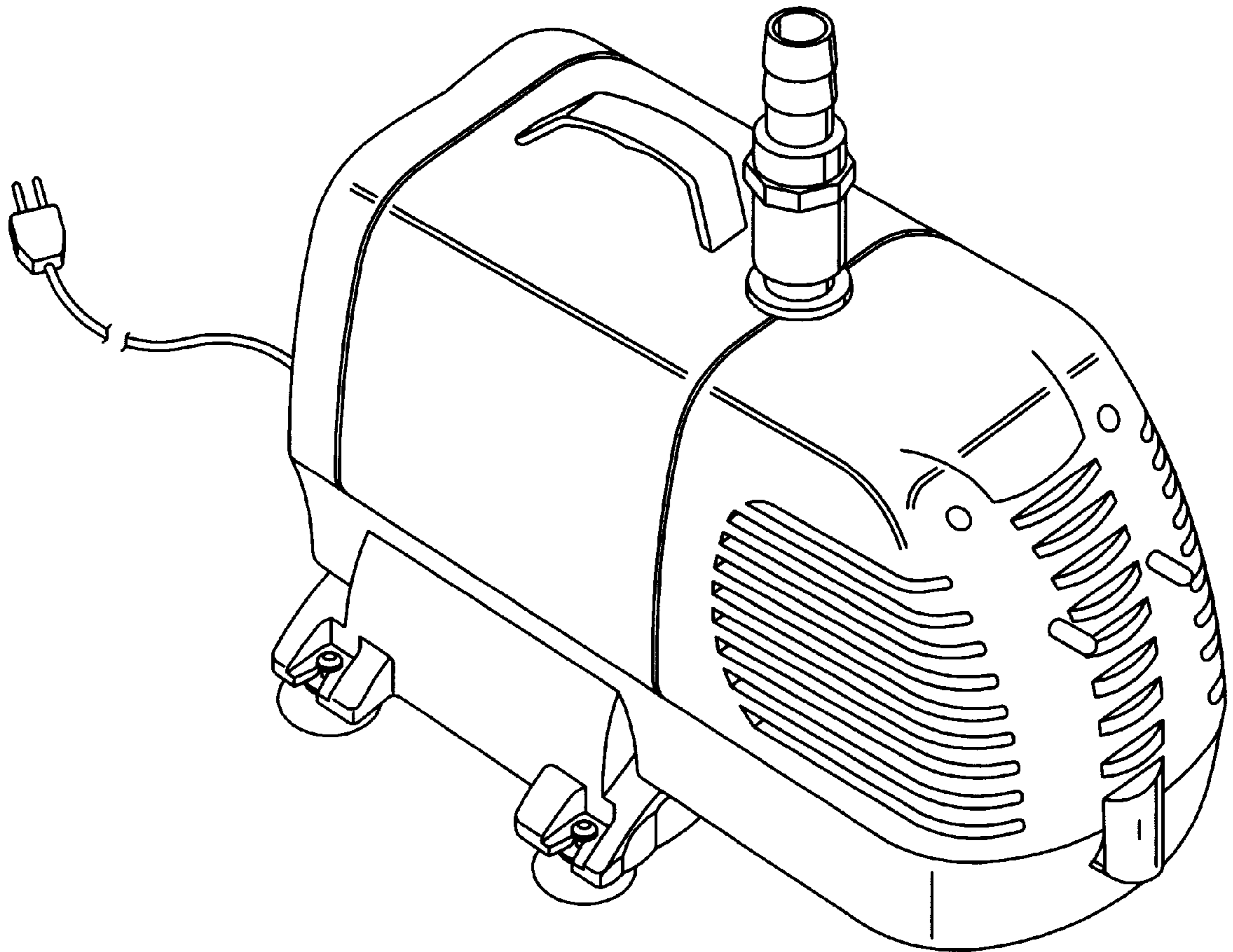


FIG. 7