



US00D428668S

United States Patent [19]
Binstock et al.

[11] **Patent Number: Des. 428,668**
[45] **Date of Patent: ** Jul. 25, 2000**

[54] **DETERGENT TABLET**

[76] Inventors: **Gary Benjamin Binstock**, 330 Penns Way, Basking Ridge, N.J. 07920; **Bruce Cummings**, 605 E. 14th St., Apt. 10C, New York, N.Y. 10009; **Divaker Kenkare**, 18 Hickory Run Rd., Califon, N.J. 07830; **Kevin Mark Kinscherf**, 719-2 Zlotkin Cir., Freehold, N.J. 07728; **Steve Mark Phillips**, 311 Magnolia St., Highland Park, N.J. 08904

[**] Term: **14 Years**

[21] Appl. No.: **29/111,300**

[22] Filed: **Sep. 23, 1999**

Related U.S. Application Data

[62] Division of application No. 29/085,321, Mar. 20, 1998, Pat. No. Des. 419,261.

[51] **LOC (7) Cl.** **28-01**

[52] **U.S. Cl.** **D28/8.1**

[58] **Field of Search** D28/8.1, 8.2; D23/207, D23/208; D24/100-104; 510/137-149, 440, 441, 445-449, 191, 192, 298, 224, 225; 424/457-474

[56] **References Cited**

U.S. PATENT DOCUMENTS

D. 31,133	7/1899	Lantz	D24/100
D. 54,390	2/1920	De Mott	D28/8.1
D. 258,091	1/1981	Reed et al.	D24/101
D. 372,307	7/1996	Barringer	D24/101
5,284,659	2/1994	Cherukuri et al.	424/465 X

FOREIGN PATENT DOCUMENTS

292291 6/1928 United Kingdom .

Primary Examiner—Ted Shooman
Assistant Examiner—C Tuttle
Attorney, Agent, or Firm—Michael McGreal

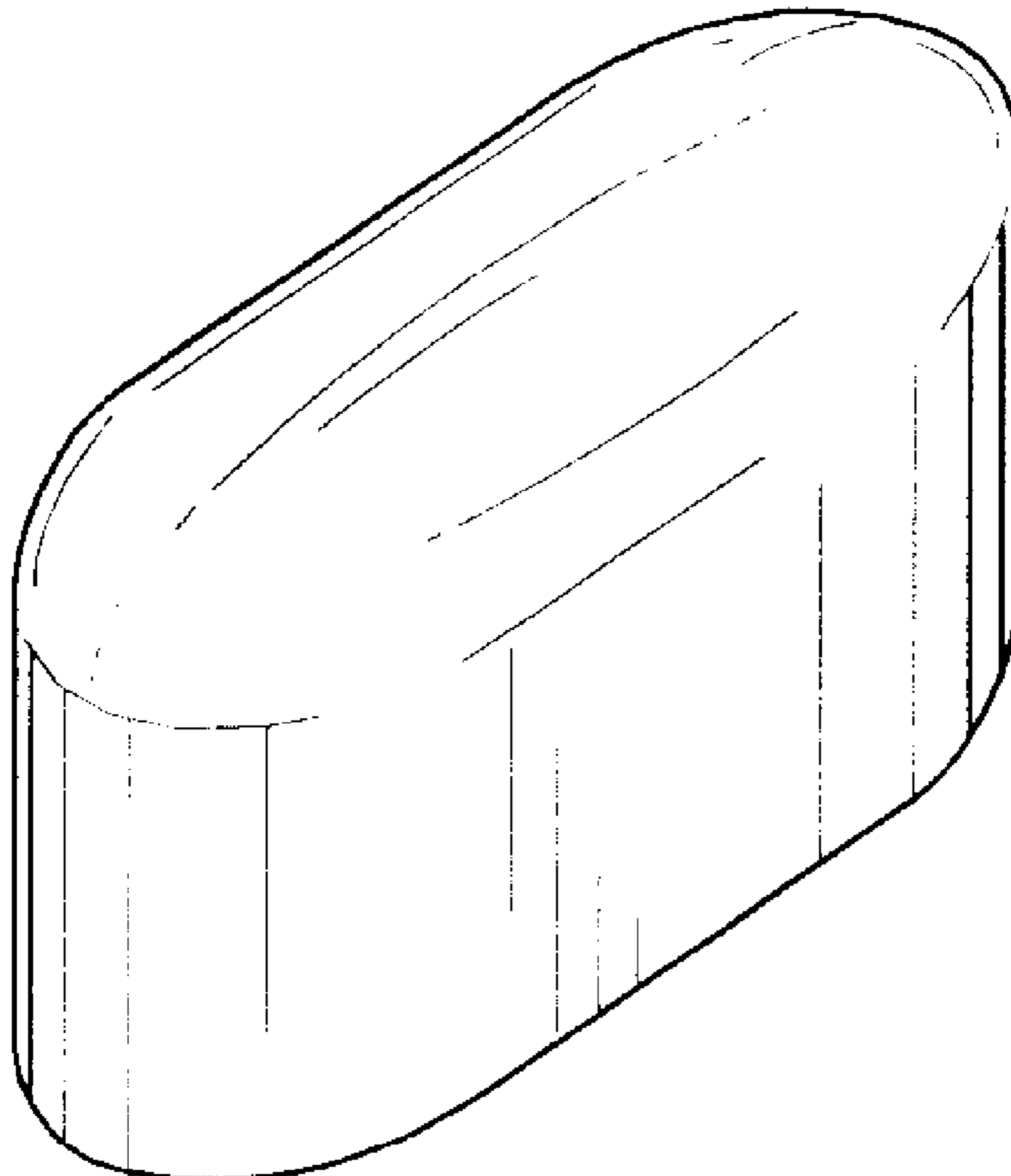
[57] **CLAIM**

The ornamental design for a detergent tablet, as shown and described.

DESCRIPTION

FIG. 1 is a perspective view of the detergent tablet of our design;
FIG. 2 is a front and rear elevation view thereof;
FIG. 3 is a left and right side elevation view thereof; and,
FIG. 4 is a top and bottom plan view thereof.

1 Claim, 1 Drawing Sheet



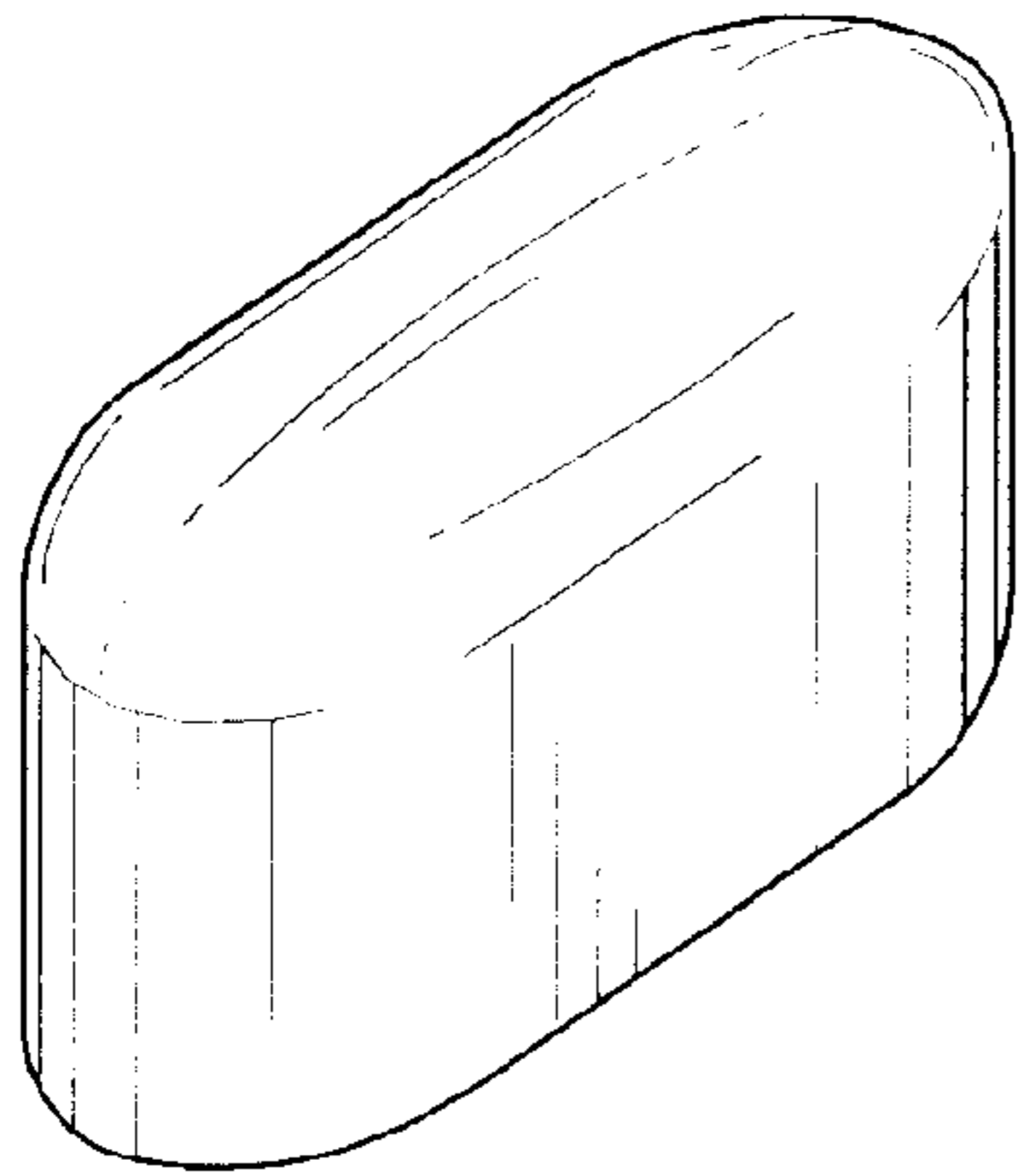


FIG. 1

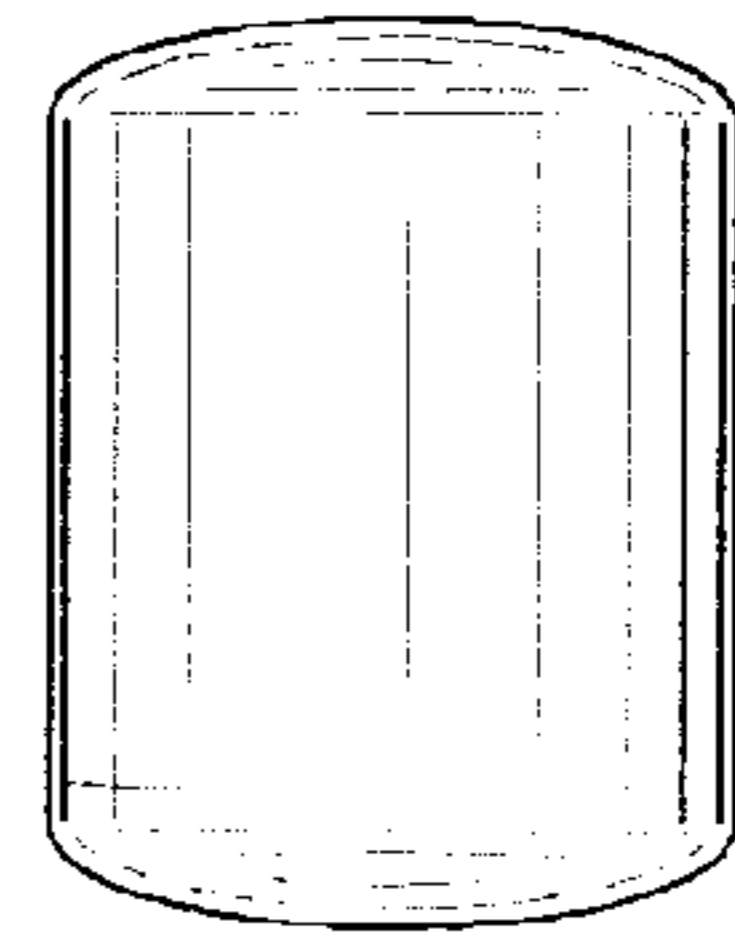


FIG. 3

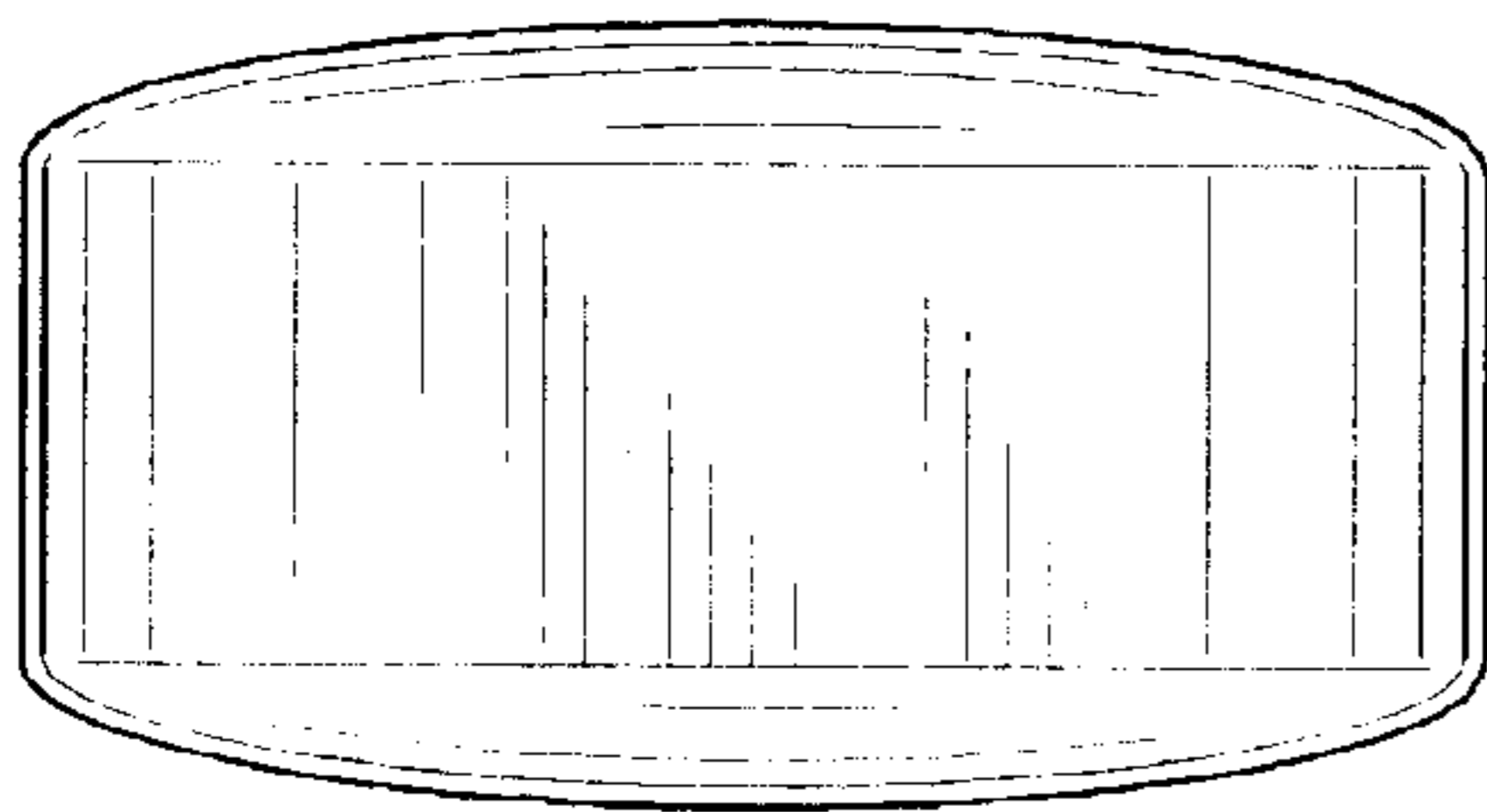


FIG. 2

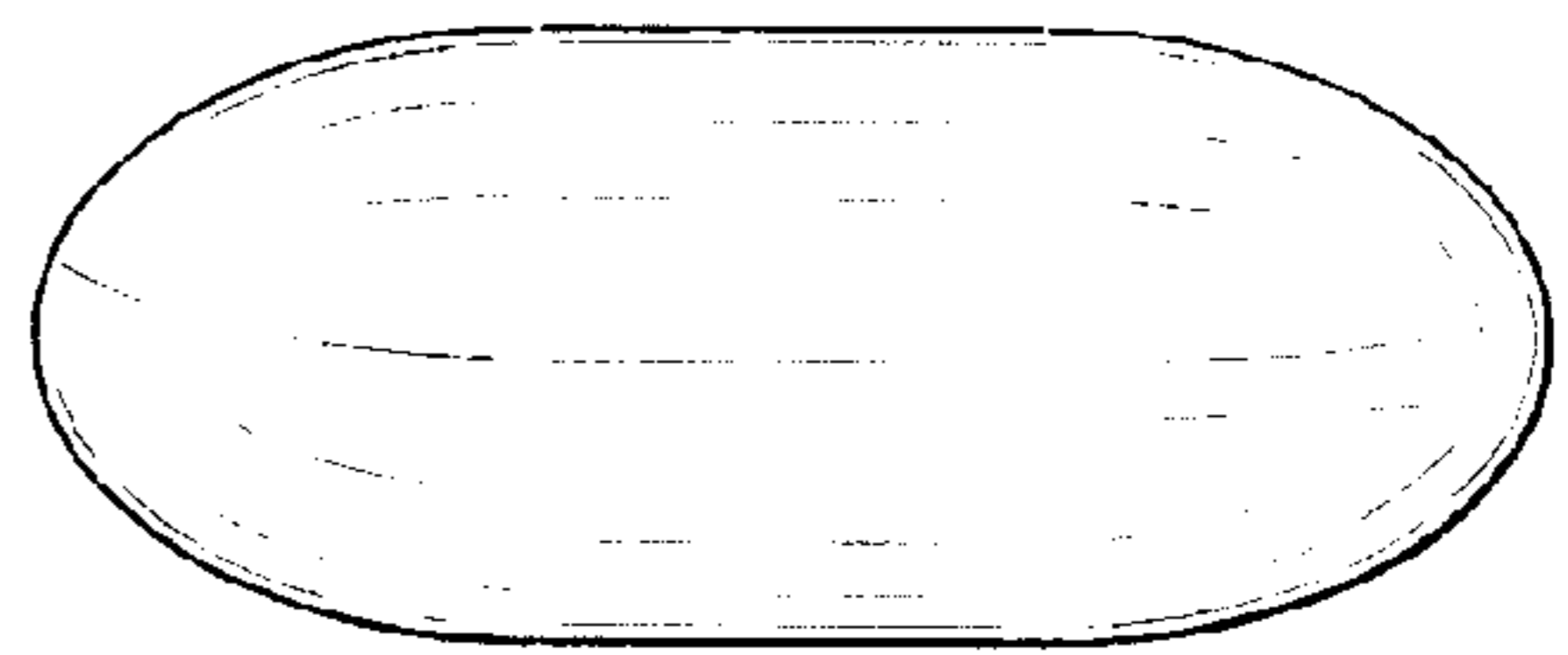


FIG. 4