



US00D428661S

# United States Patent [19]

[11] **Patent Number: Des. 428,661**

**Norman**

[45] **Date of Patent: \*\* Jul. 25, 2000**

[54] **PHOTOGRAPHY LAMP BASE**

[76] Inventor: **William Lester Norman**, 2801 Joaquin Dr., Burbank, Calif. 91504

[\*\*] Term: **14 Years**

[21] Appl. No.: **29/064,252**

[22] Filed: **Oct. 31, 1996**

[51] **LOC (7) Cl.** ..... **26-05**

[52] **U.S. Cl.** ..... **D26/63; D26/64**

[58] **Field of Search** ..... D26/24, 61, 63, D26/65; D16/237, 239, 240, 242; 362/269, 279, 285, 287, 418, 419, 427, 428, 430, 3, 8, 18

[56] **References Cited**

**U.S. PATENT DOCUMENTS**

3,550,519 12/1970 Lewis ..... D16/239 X  
5,161,871 11/1992 Baliozian ..... 362/18

**OTHER PUBLICATIONS**

“The Flashmaster Location Umbrella Outfit,” Product Brochure, Photogenic Machine Company.  
“The Novatron Product Catalog,” Mar. 1993.  
“Pro-3” Product Brochure, Profoto, Stockholm, Sweden. Product Catalog, Bowens International.  
“Dyna-Lite Flash Heads Light Controls Accessories,” Product Brochure, Dyna-Lite, Inc., ©1985.

“Speedotron Black Line,” Product Brochure, Speedotron, Inc. © 1992.

“Norman Enterprises, Inc.,” Product Brochure, Norman Enterprises, Inc., ©1989, 1991.

*Primary Examiner*—Susan J. Lucas

[57] **CLAIM**

The ornamental design for a photography lamp base, as shown and described.

**DESCRIPTION**

FIG. 1 is a rear, side perspective view of a photography lamp base in accordance with the present invention;  
FIG. 2 is a rear elevational view of the photography lamp base of FIG. 1;  
FIG. 3 is a left-side elevational view of the photography lamp base of FIG. 1;  
FIG. 4 is a right-side elevational view of the photography lamp base of FIG. 1;  
FIG. 5 is a top plan view of the photography lamp base of FIG. 1;  
FIG. 6 is a bottom plan view of the photography lamp base of FIG. 1; and,  
FIG. 7 is a front elevational view of the photography lamp base of FIG. 1;  
The fragmentary reflector is shown in phantom lines for purposes of disclosure, and forms no part of the claimed design.

**1 Claim, 7 Drawing Sheets**

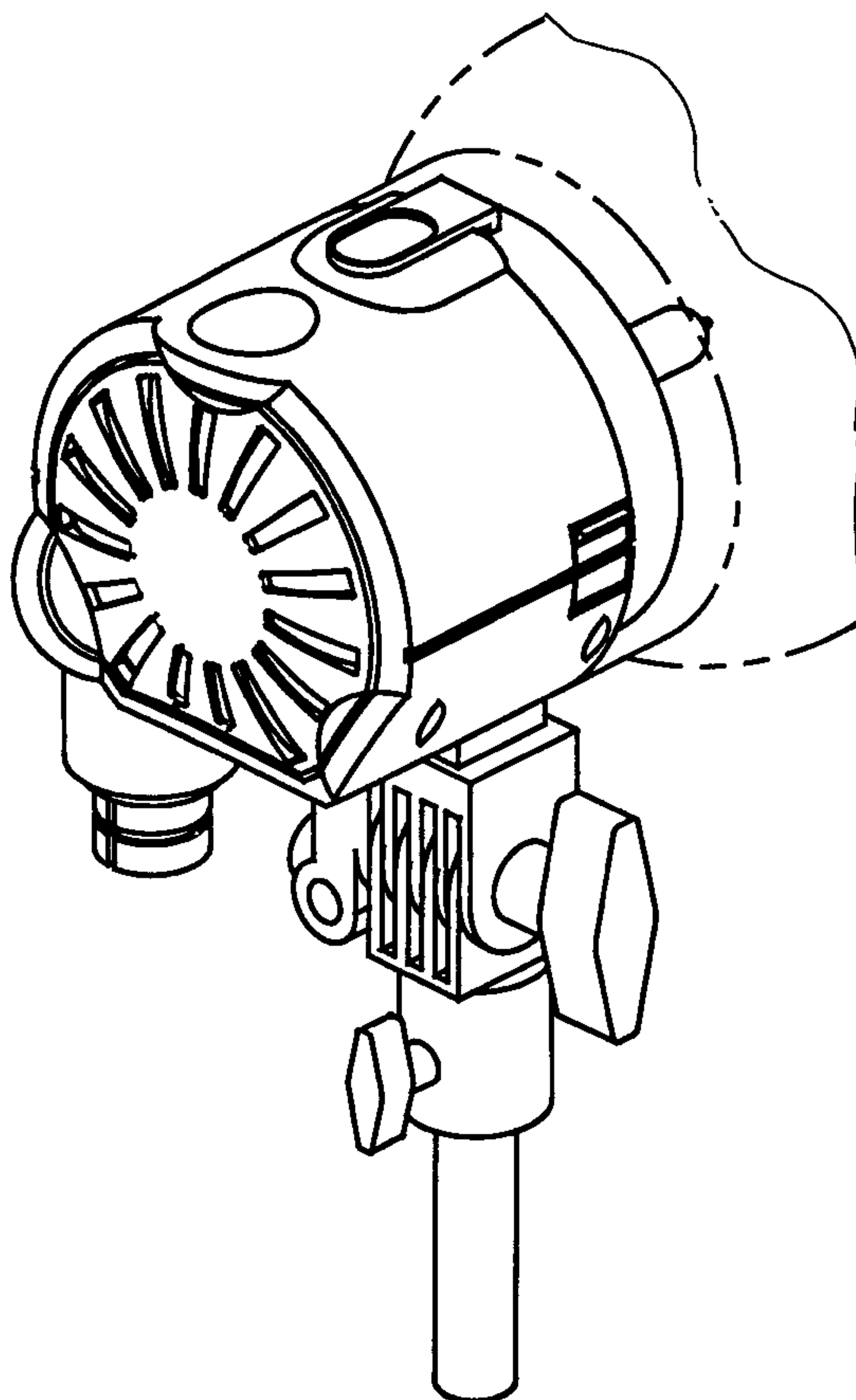


FIG. 1

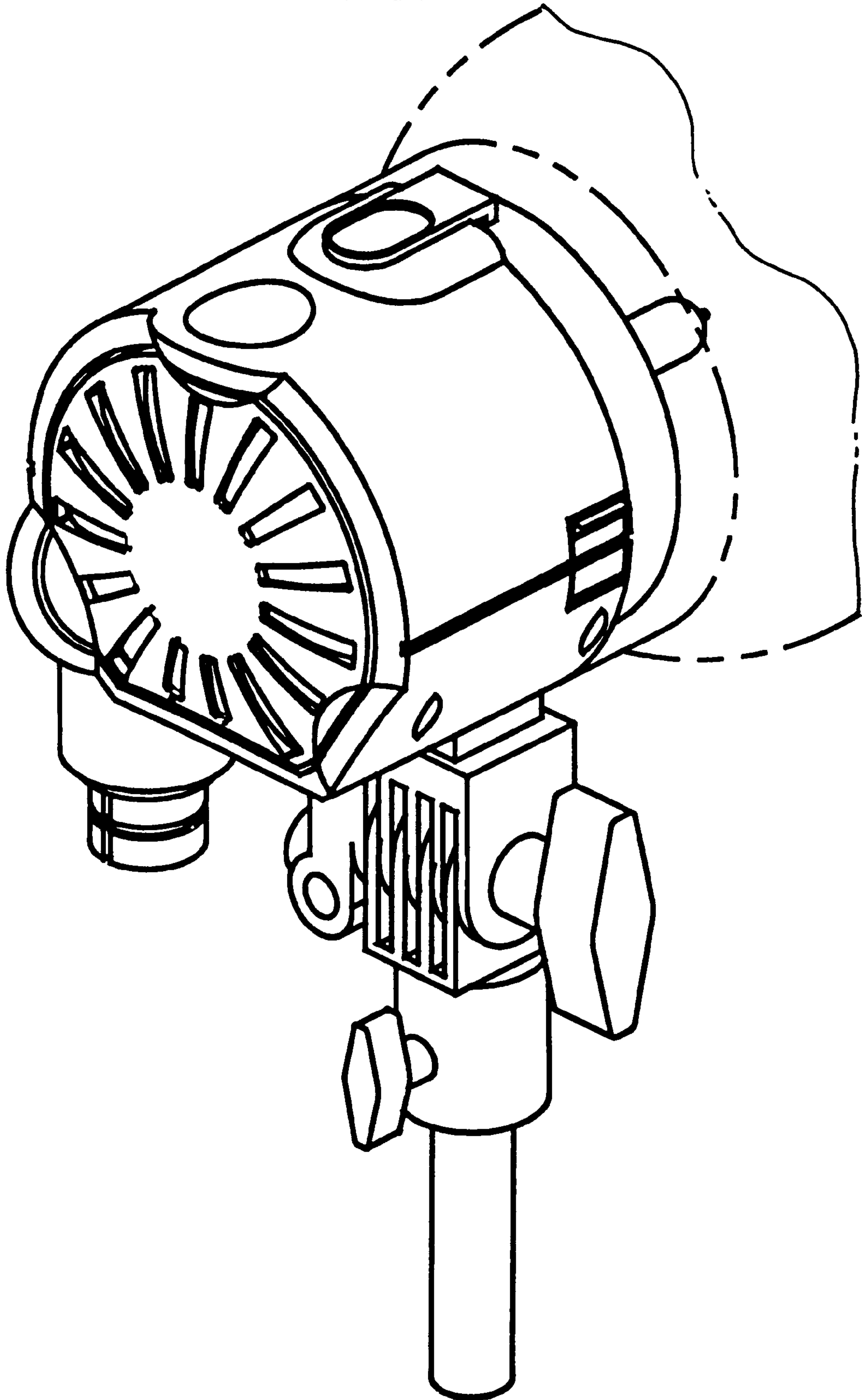


FIG. 2

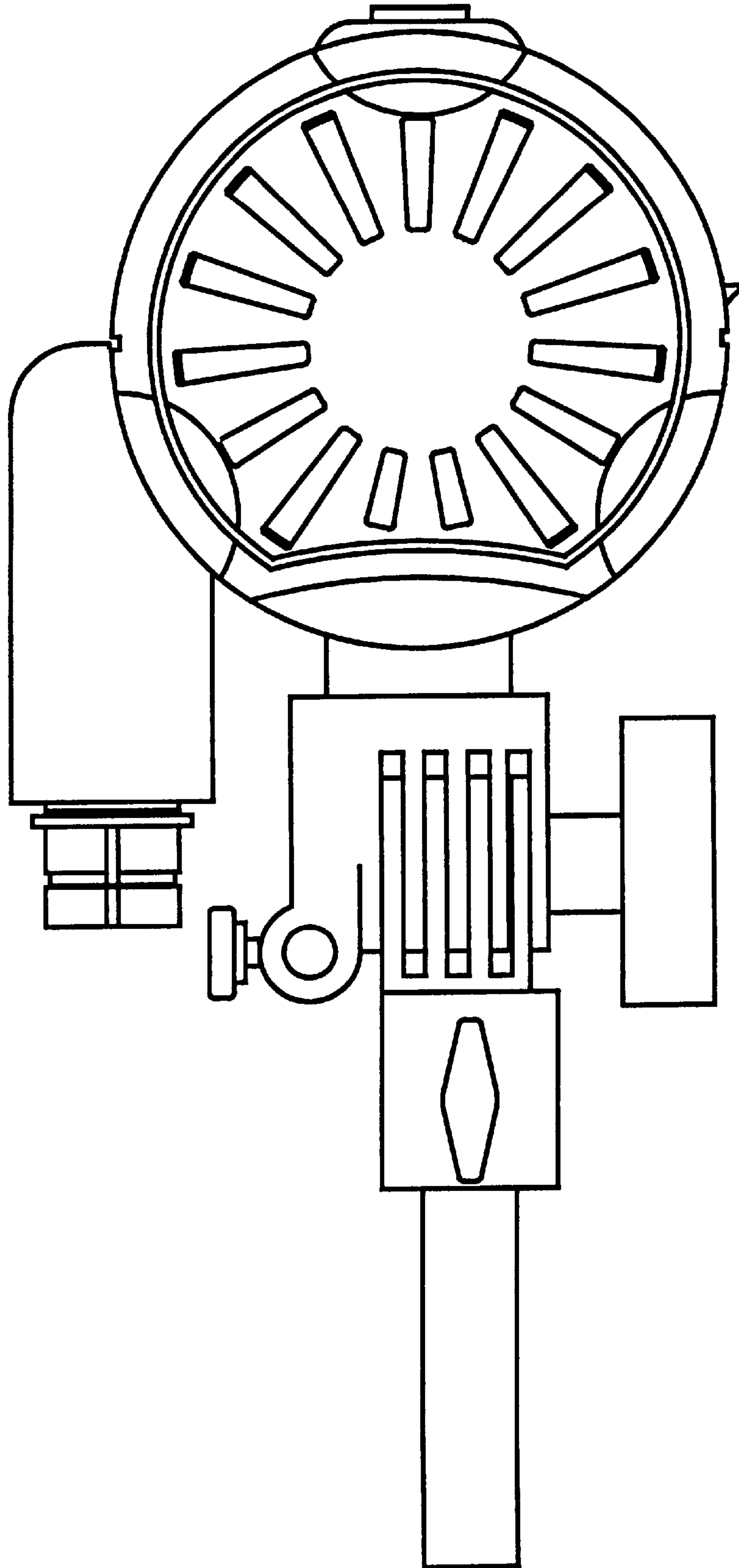


FIG. 3

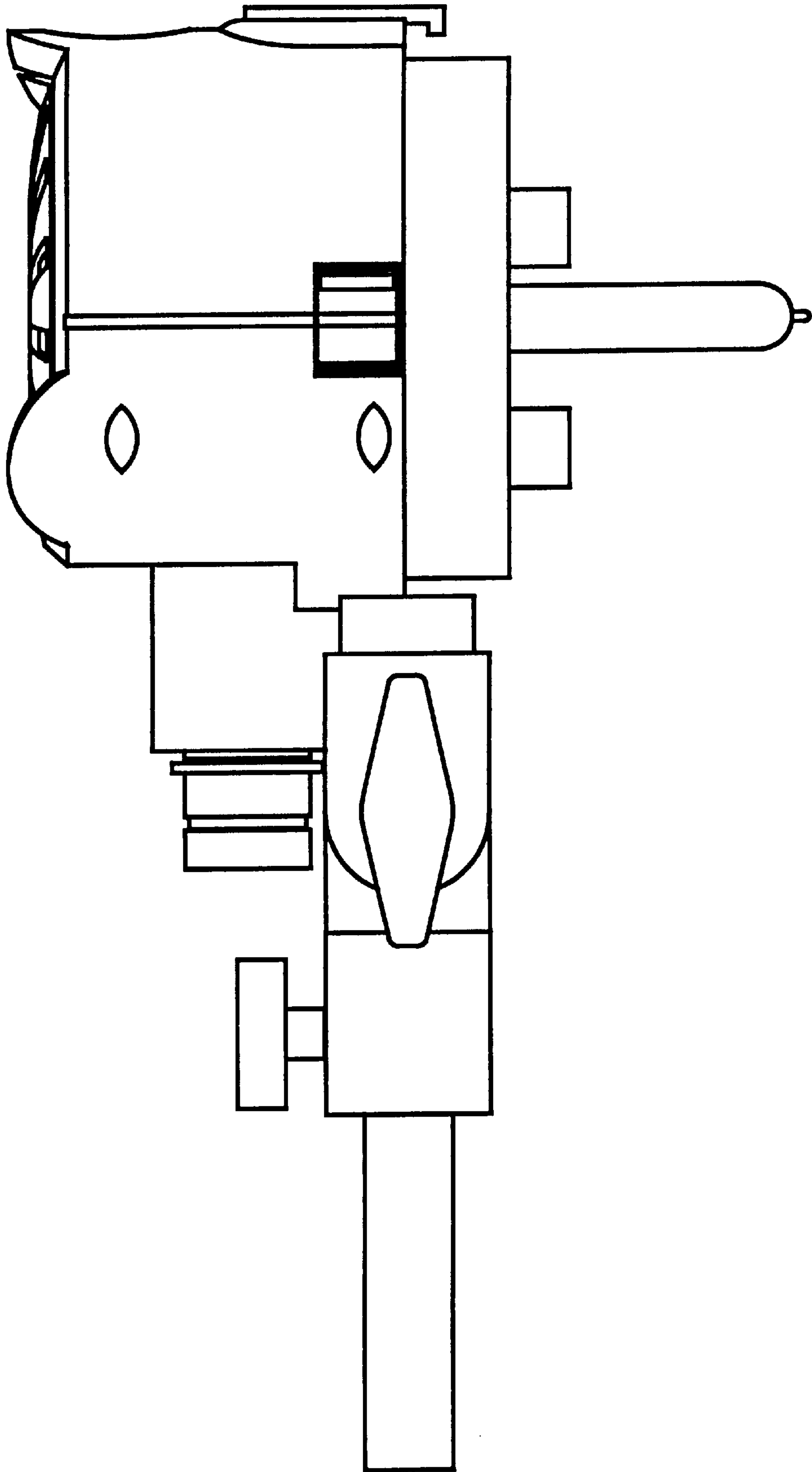


FIG. 4

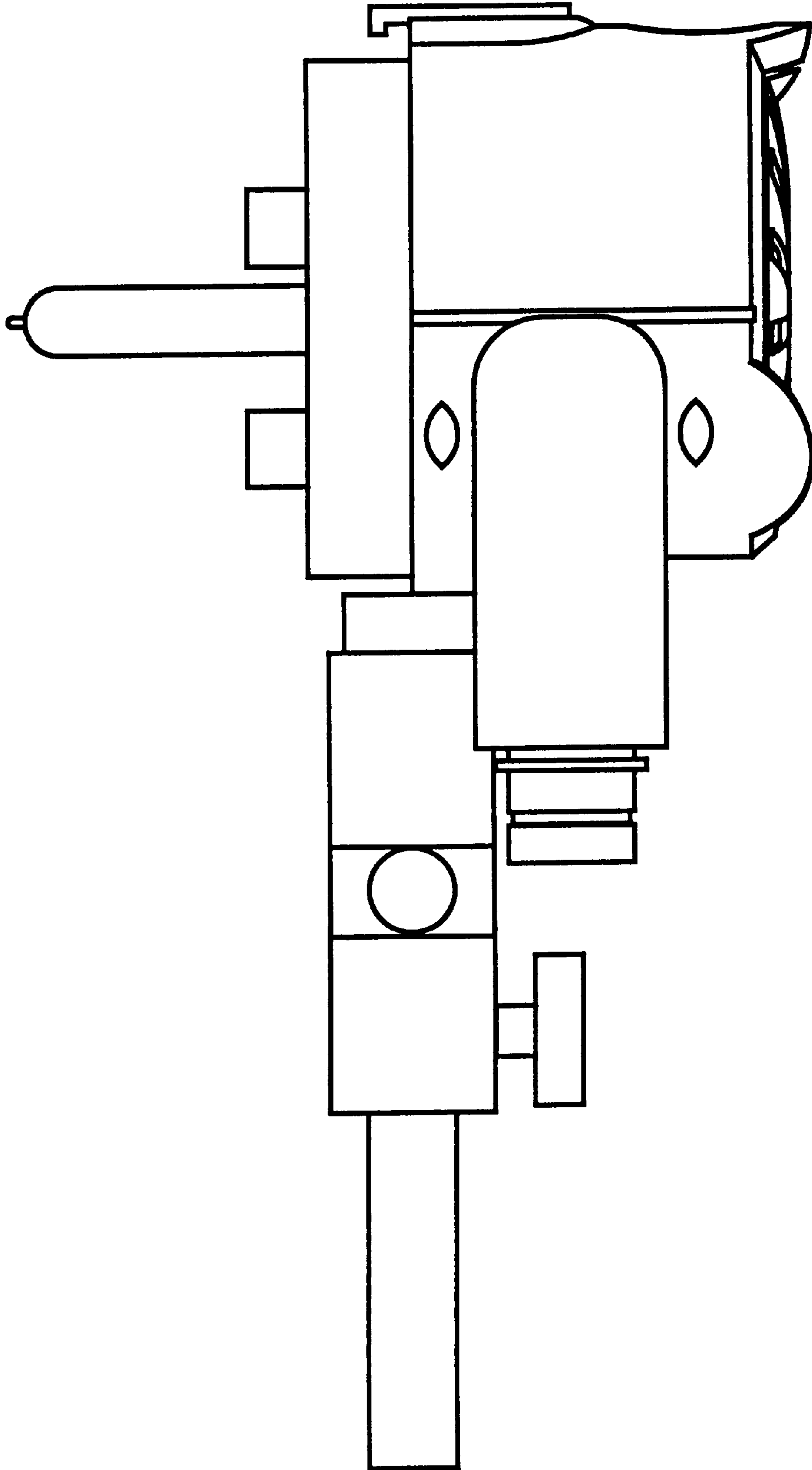


FIG. 5

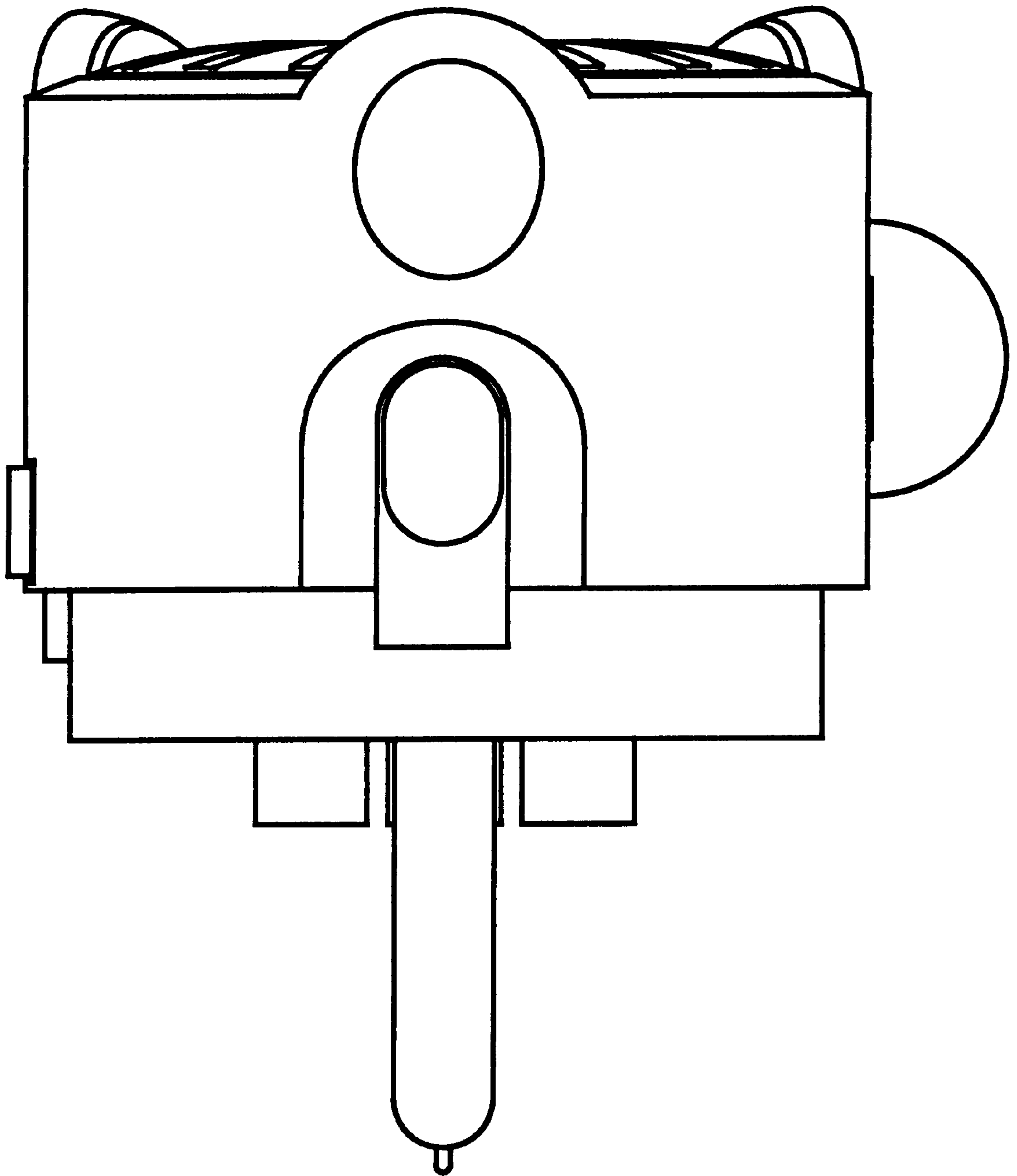


FIG. 6

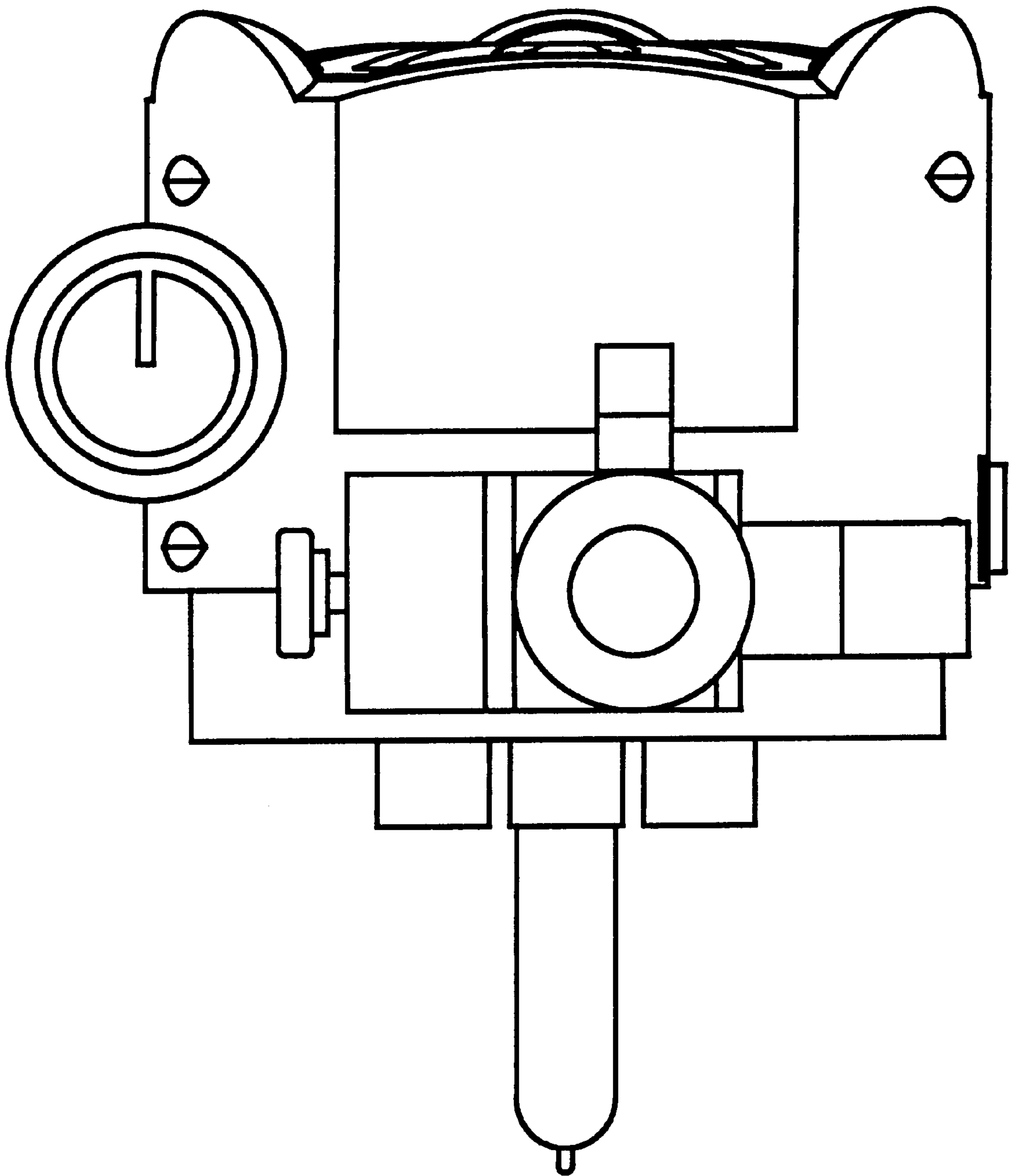




FIG. 7

