



US00D428660S

United States Patent [19] Yuen

[11] **Patent Number: Des. 428,660**
[45] **Date of Patent: ** Jul. 25, 2000**

[54] **NIGHT LIGHT**

[75] **Inventor: John Se-Kit Yuen**, 6/F Yau Lee Centre, 45 Hoi Yuen Road, Kwun Tong, Kowloon, The Hong Kong Special Administrative Region of the People's Republic of China

[73] **Assignee: John Se-Kit Yuen**, Kowloon, The Hong Kong Special Administrative Region of the People's Republic of China

[**] **Term: 14 Years**

[21] **Appl. No.: 29/099,960**

[22] **Filed: Feb. 1, 1999**

[51] **LOC (7) Cl. 26-05**

[52] **U.S. Cl. D26/26**

[58] **Field of Search** D26/72, 26, 80-92, D26/37, 38, 118; 362/226, 147, 432

[56] **References Cited**

U.S. PATENT DOCUMENTS

D. 378,617 3/1997 Yuen D26/26

D. 392,400 3/1998 Emmerling D26/26
D. 401,367 11/1998 DeLay D26/26
D. 404,508 1/1999 Marischen D26/26

FOREIGN PATENT DOCUMENTS

2051292 10/1995 United Kingdom .

Primary Examiner—Freda Nunn
Attorney, Agent, or Firm—Beall Law Offices

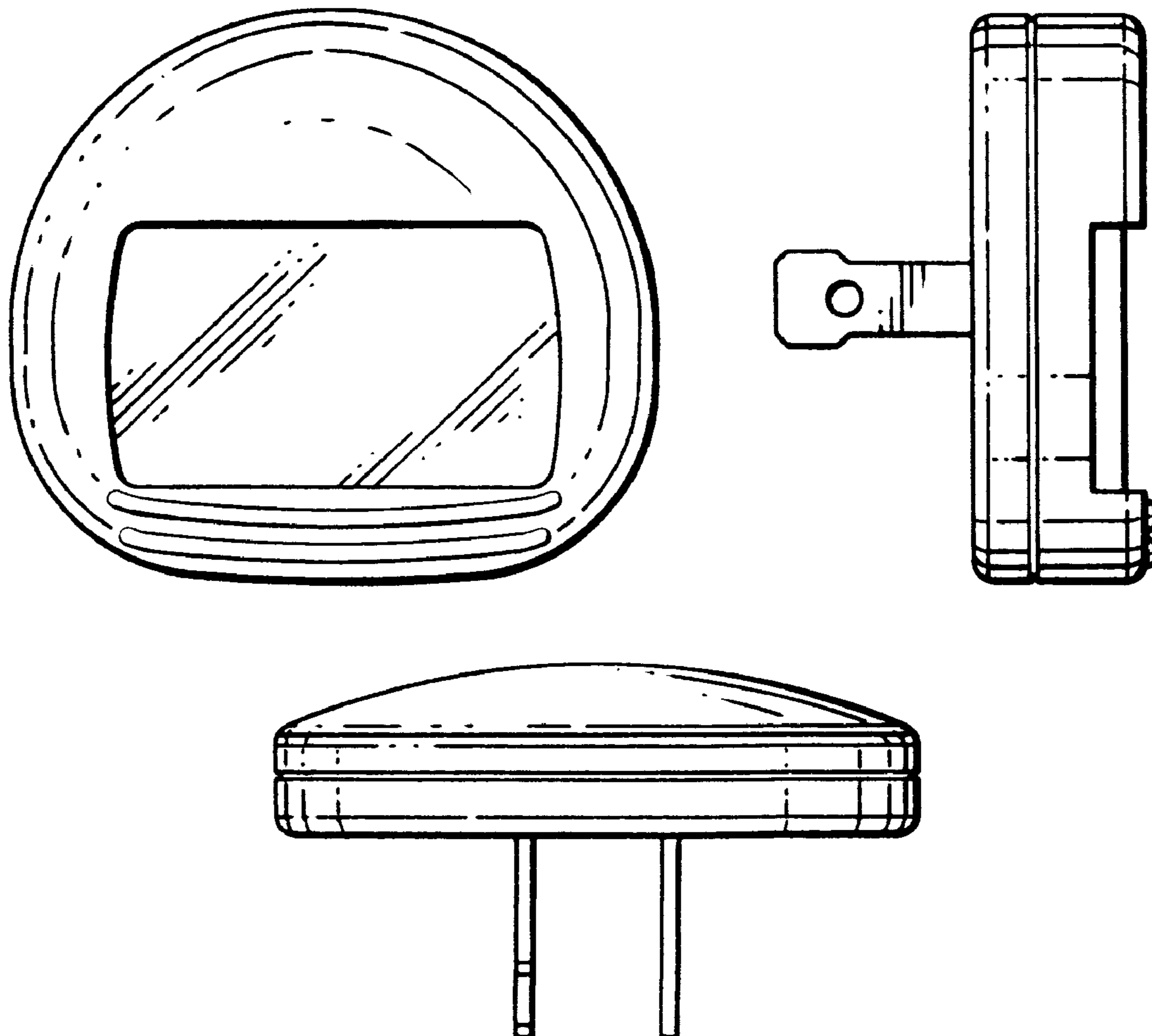
[57] **CLAIM**

The ornamental design for a night light, as shown and described.

DESCRIPTION

FIG. 1 is a front elevational view of a night light showing my new design;
FIG. 2 is a rear elevational view thereof;
FIG. 3 is a left side elevational view thereof;
FIG. 4 is a right elevational view thereof;
FIG. 5 is a top plan view thereof; and,
FIG. 6 is an underneath plan view thereof.

1 Claim, 1 Drawing Sheet



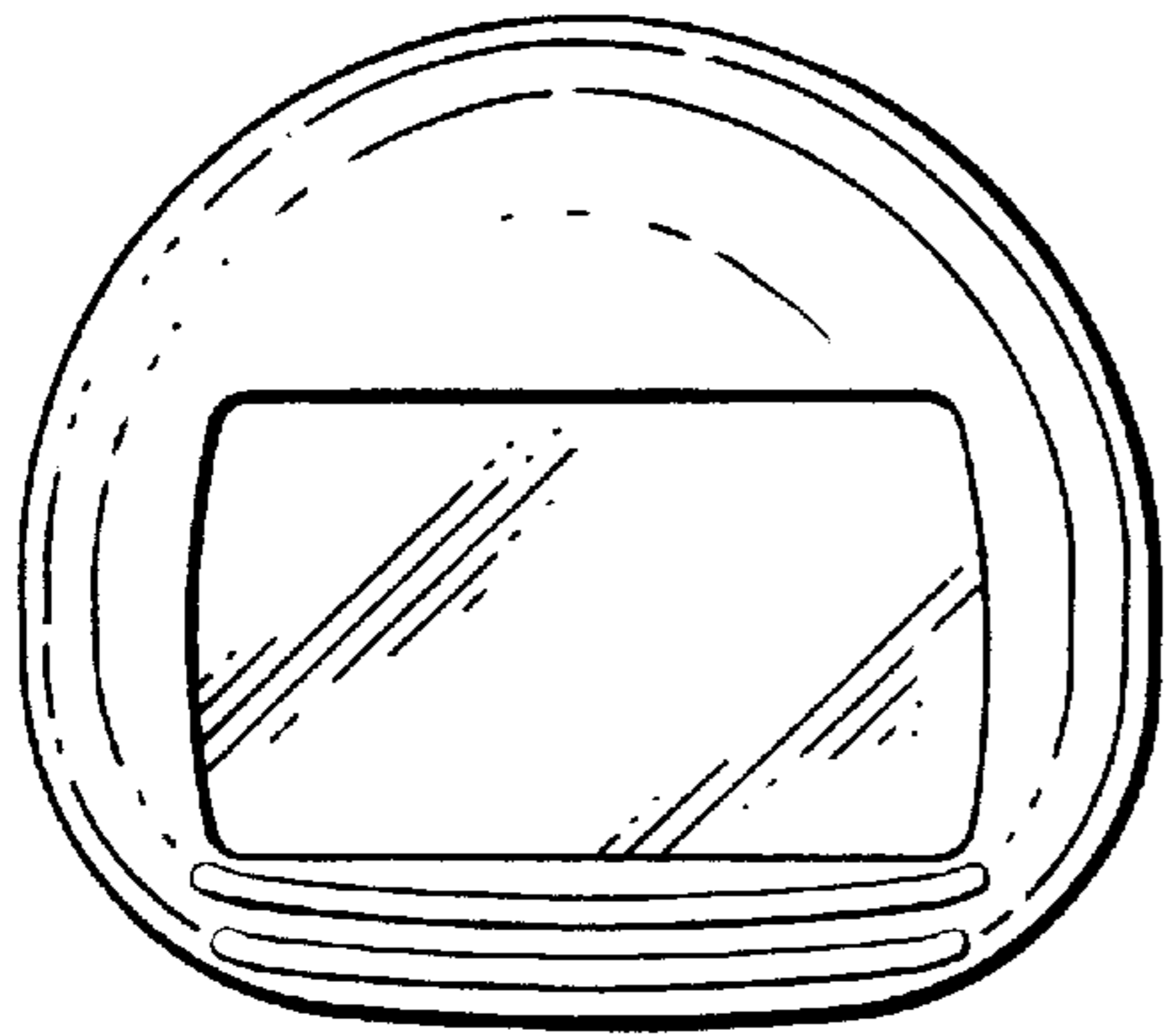


FIG. 1

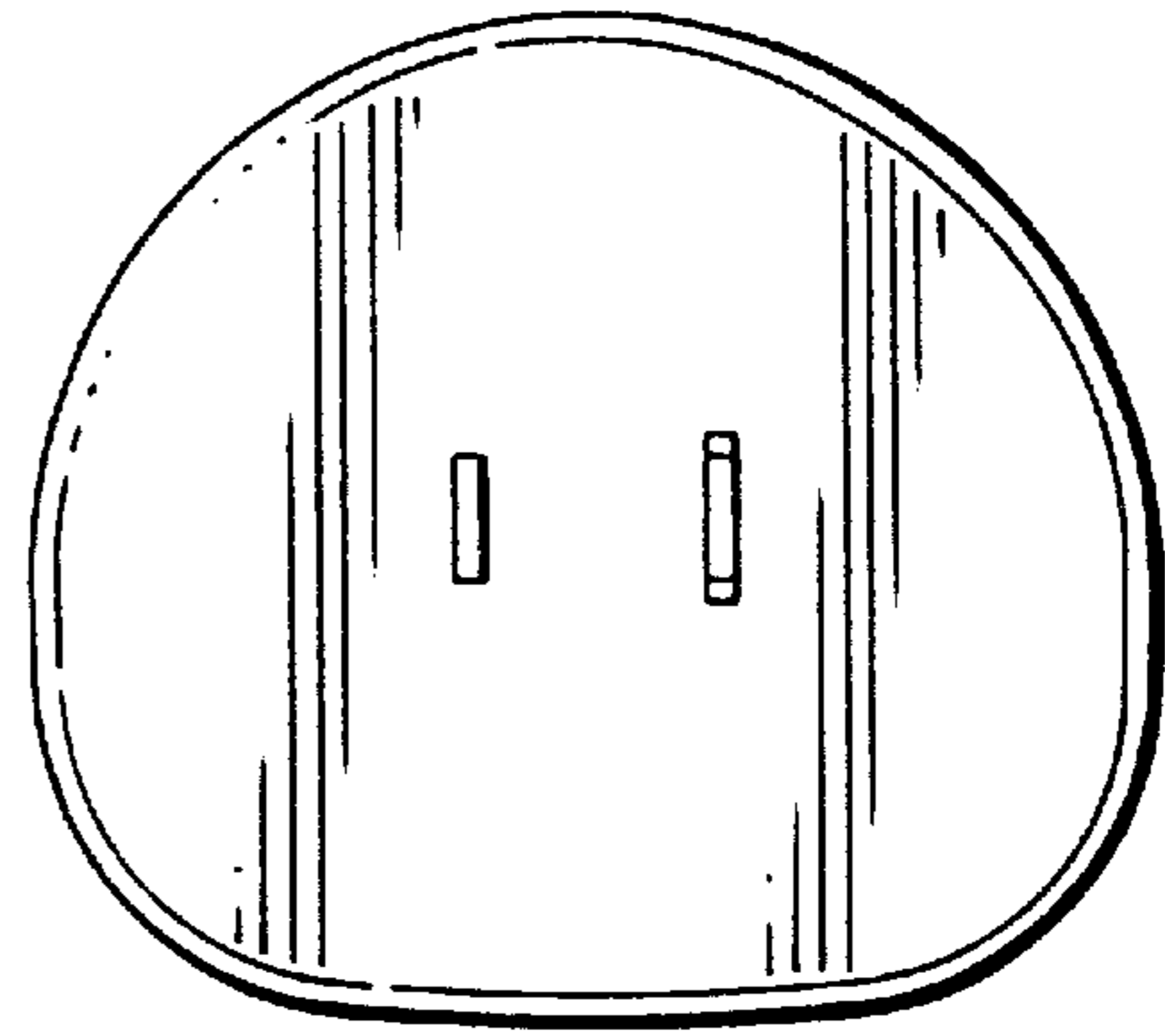


FIG. 2

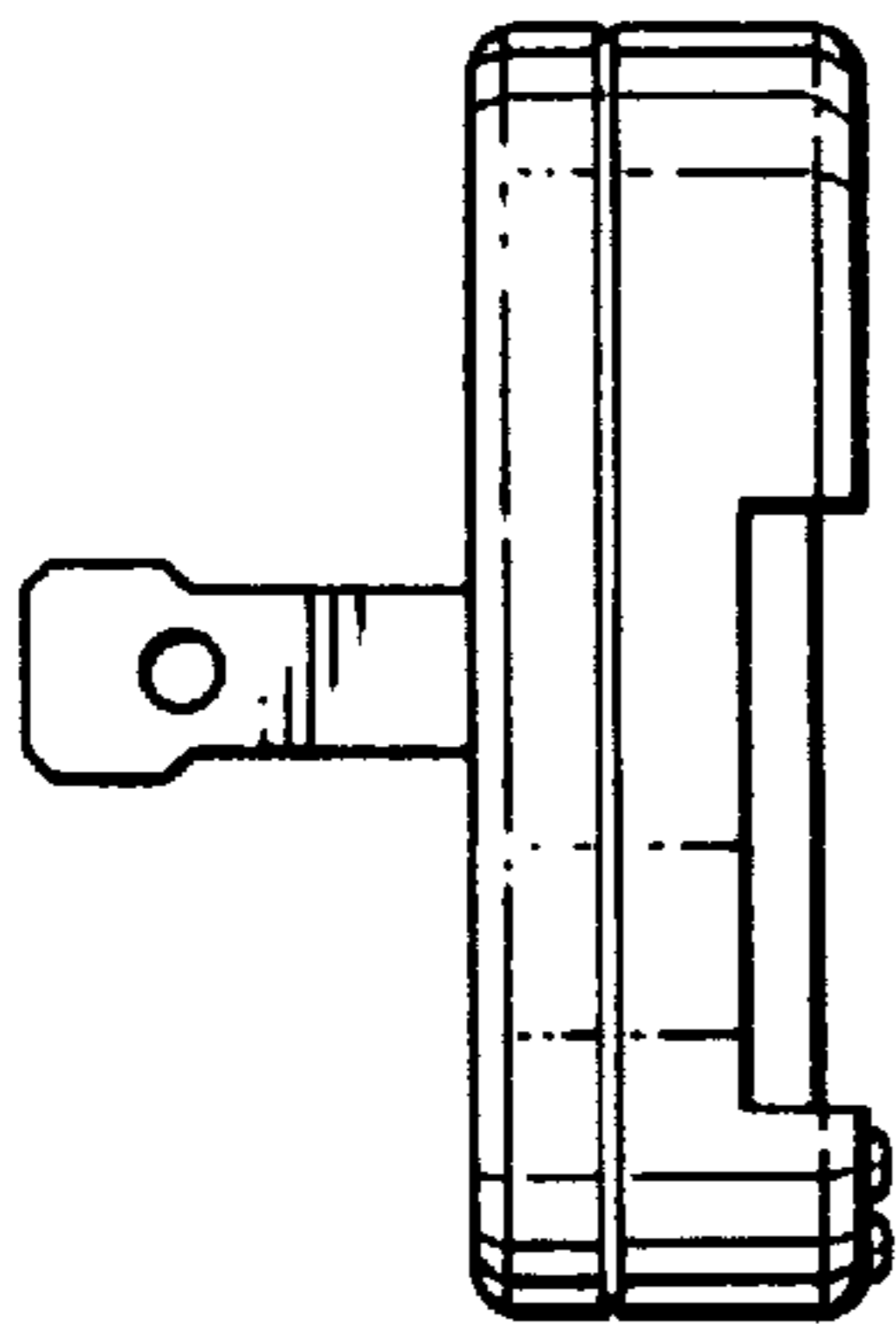


FIG. 3

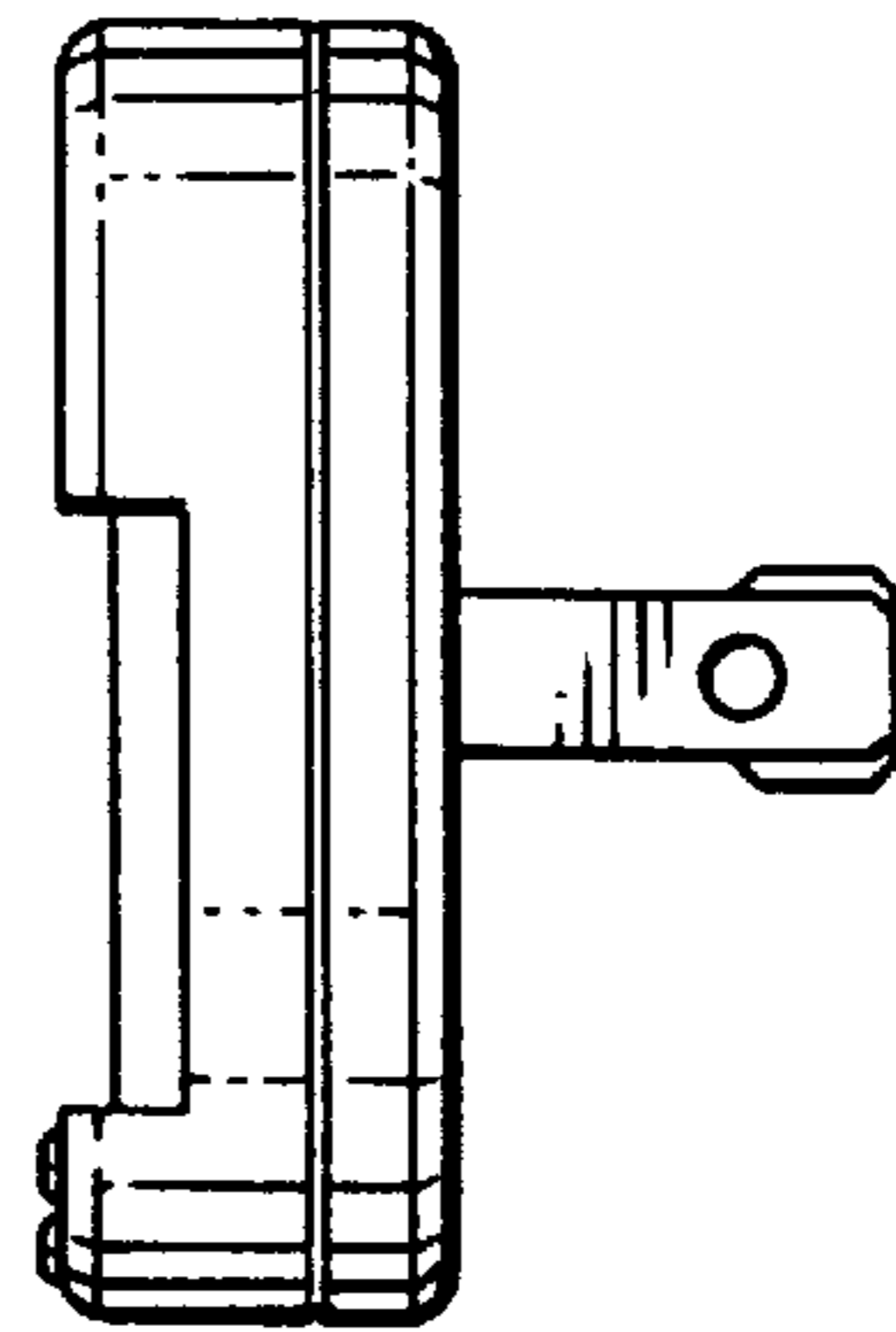


FIG. 4

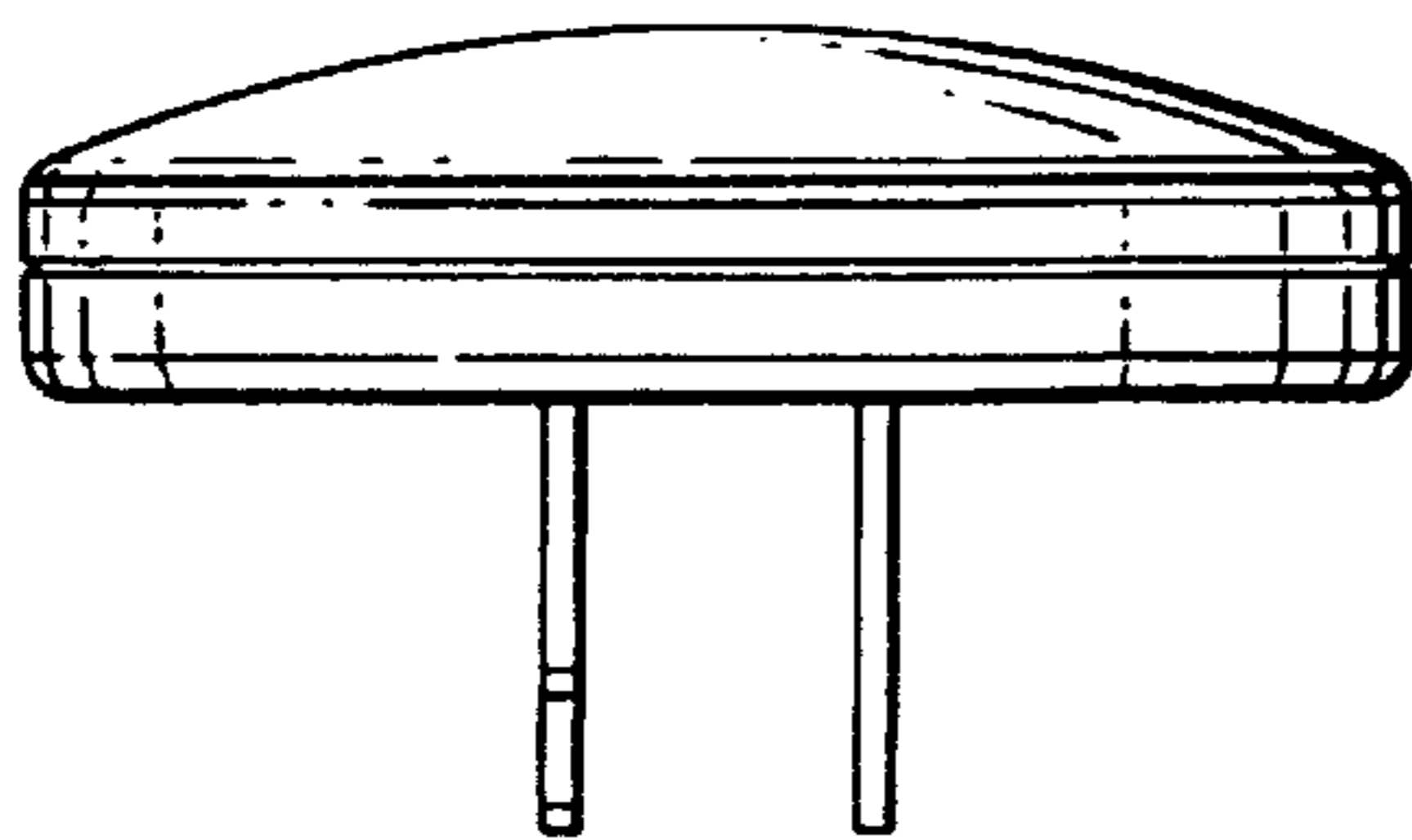


FIG. 5

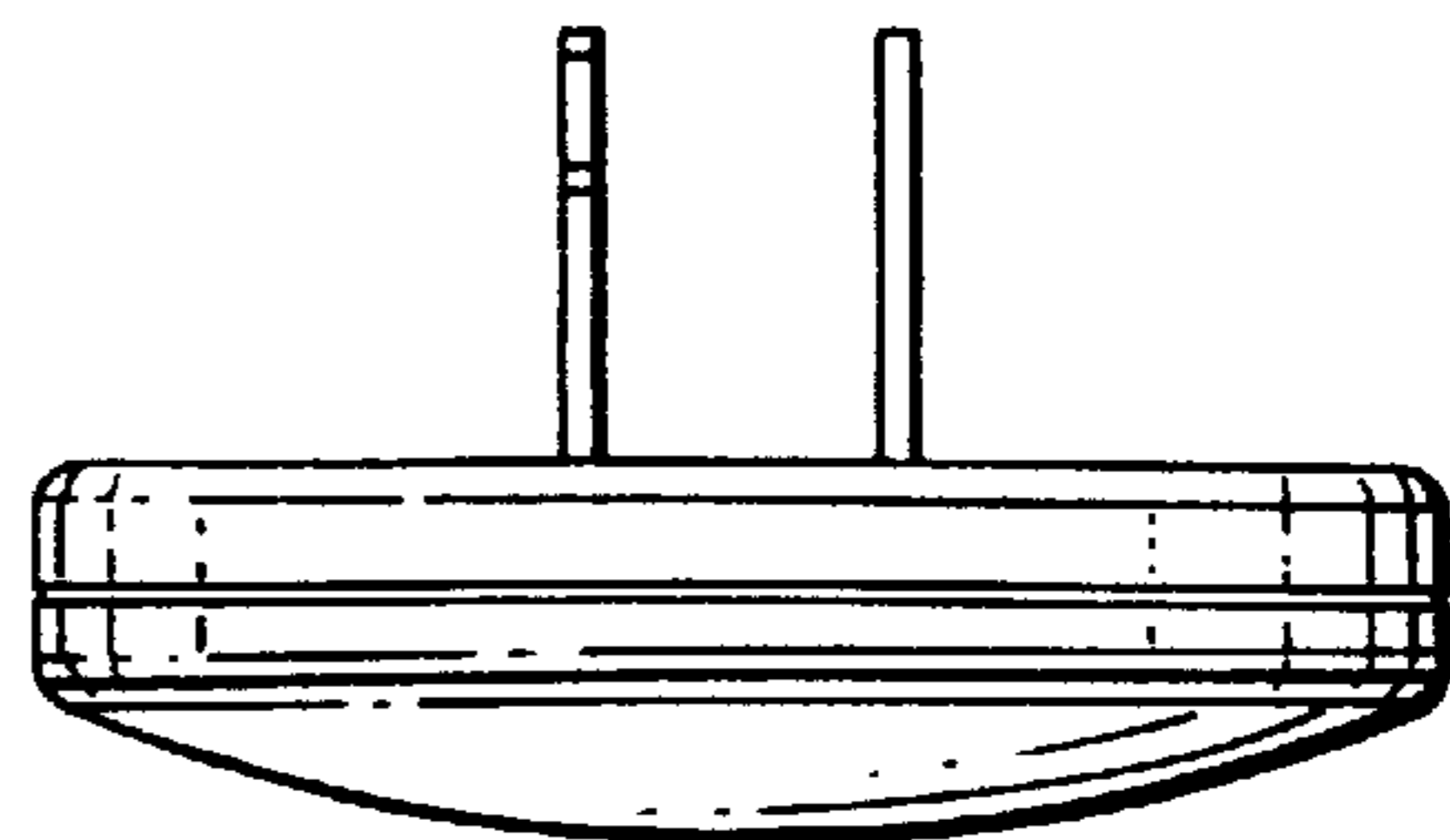


FIG. 6