



US00D428658S

# United States Patent [19]

Glab et al.

[11] Patent Number: **Des. 428,658**

[45] Date of Patent: **\*\* Jul. 25, 2000**

[54] **MANHOLE COVER**

[75] Inventors: **Charles D. Glab; Michael D. Lattner; Adam J. Koehler**, all of Dubuque, Iowa

[73] Assignee: **Morrison Bros. Company**, Dubuque, Iowa

[\*\*] Term: **14 Years**

[21] Appl. No.: **29/111,947**

[22] Filed: **Oct. 6, 1999**

[51] **LOC (7) Cl.** ..... **25-02**

[52] **U.S. Cl.** ..... **D25/36**

[58] **Field of Search** ..... D25/36; 404/25, 404/2

[56] **References Cited**

**U.S. PATENT DOCUMENTS**

166,574	8/1875	Wilbur .	
3,289,556	12/1966	Russell .....	404/25
3,618,275	11/1971	Ance .....	D25/36
4,662,777	5/1987	Newton .....	404/25
5,123,776	6/1992	Lang et al. ....	404/25

5,378,078	1/1995	Lewis et al. ....	404/25
5,470,172	11/1995	Wiedrich .....	404/25
5,529,431	6/1996	Walsh .....	404/25

*Primary Examiner*—Doris Clark  
*Attorney, Agent, or Firm*—Tilton, Fallon, Lungmus

[57] **CLAIM**

The ornamental design for a manhole cover, substantially as shown and described.

**DESCRIPTION**

FIG. 1 is a perspective view of the manhole cover;  
 FIG. 2 is a top plan view of the manhole cover; the bottom plan view is identical except that its handle assembly is diametrically disposed in relation to the assembly shown in FIG. 2;  
 FIG. 3 is a side elevational view of the manhole cover;  
 FIG. 4 is a cross sectional view taken along line 4—4 of FIG. 1; and,  
 FIG. 5 is an enlarged fragmentary top plan view showing in detail a portion of the surface ornamentation.  
 The article is intended for use as a reversible manhole cover of identical appearance from both its top and bottom sides.

**1 Claim, 2 Drawing Sheets**

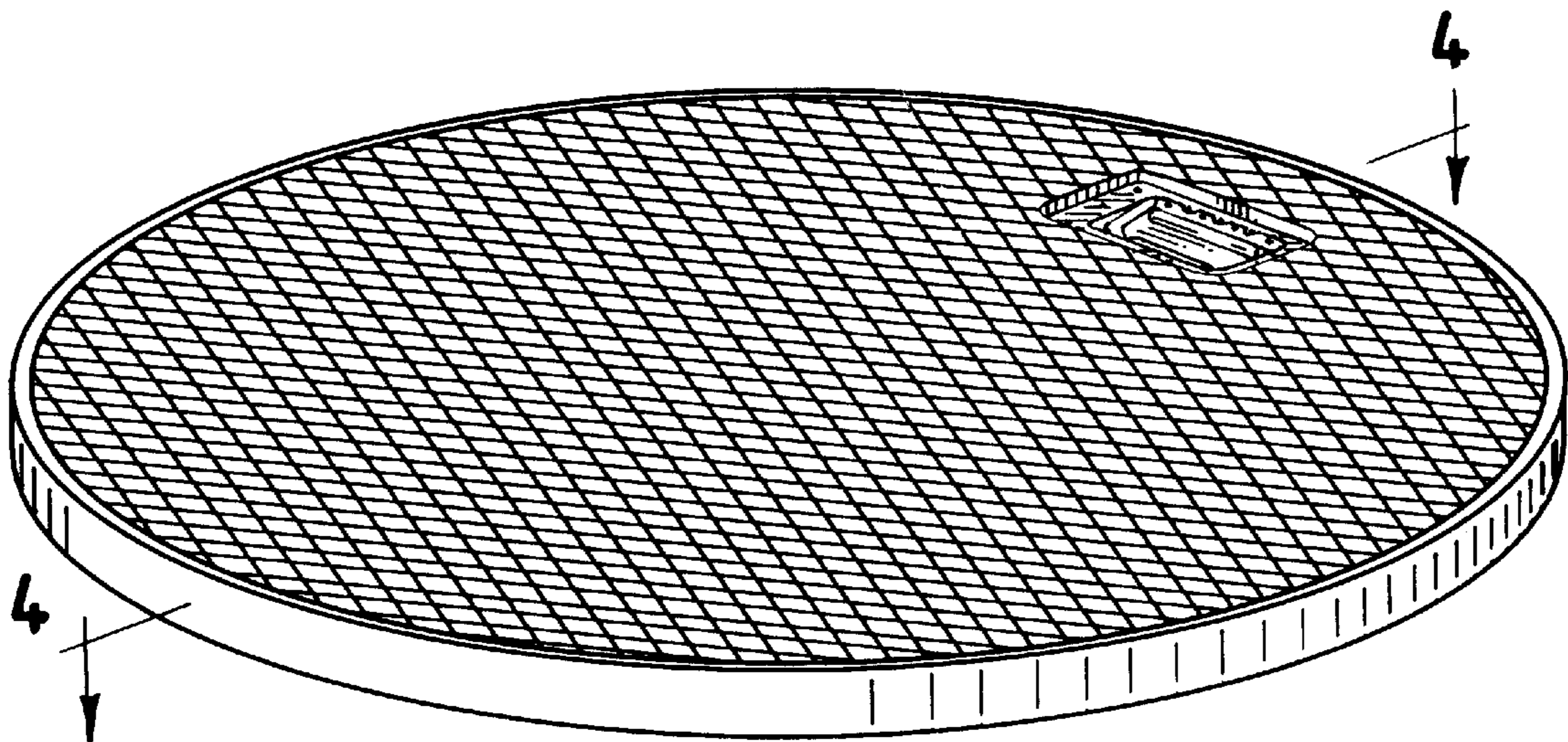


FIG. 1

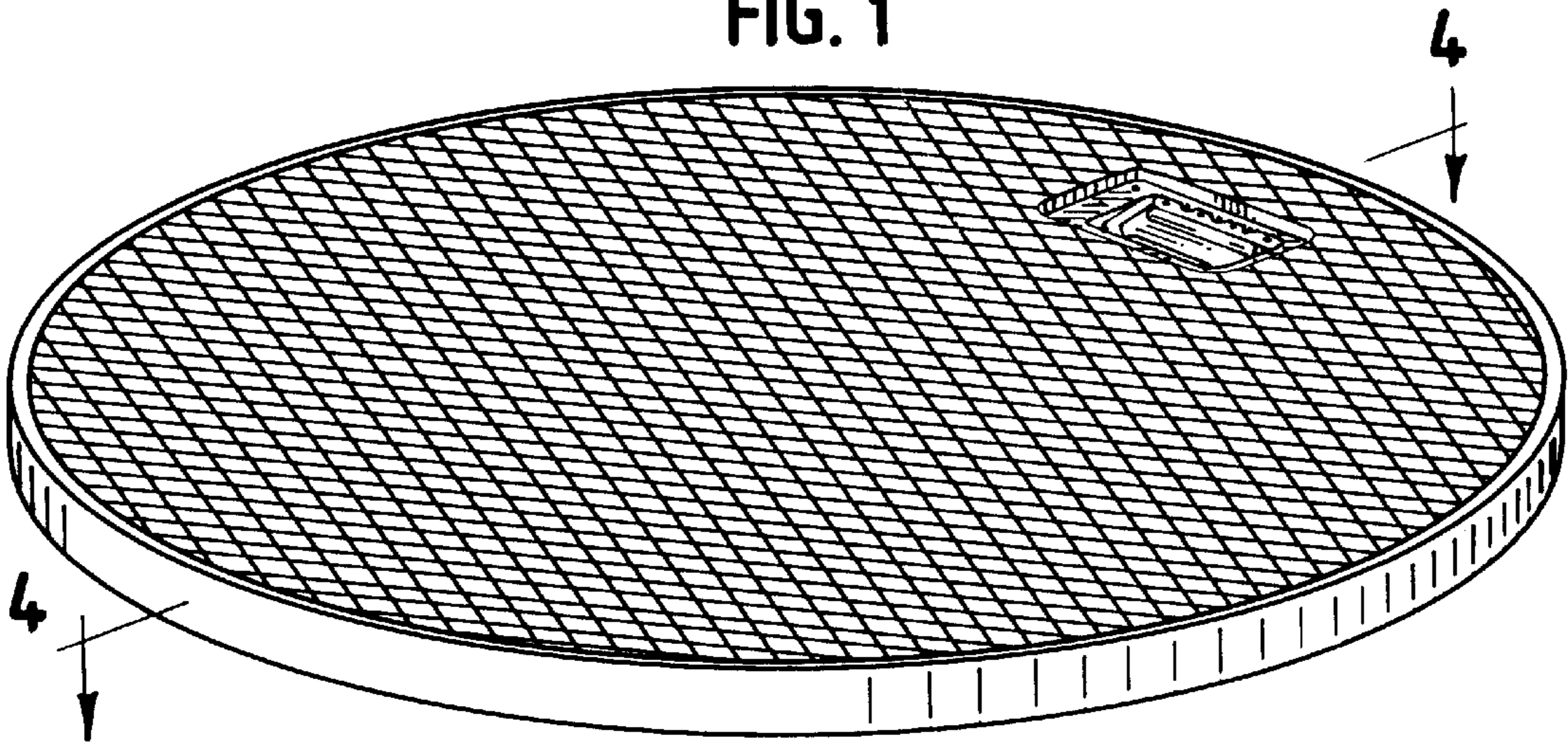


FIG. 2

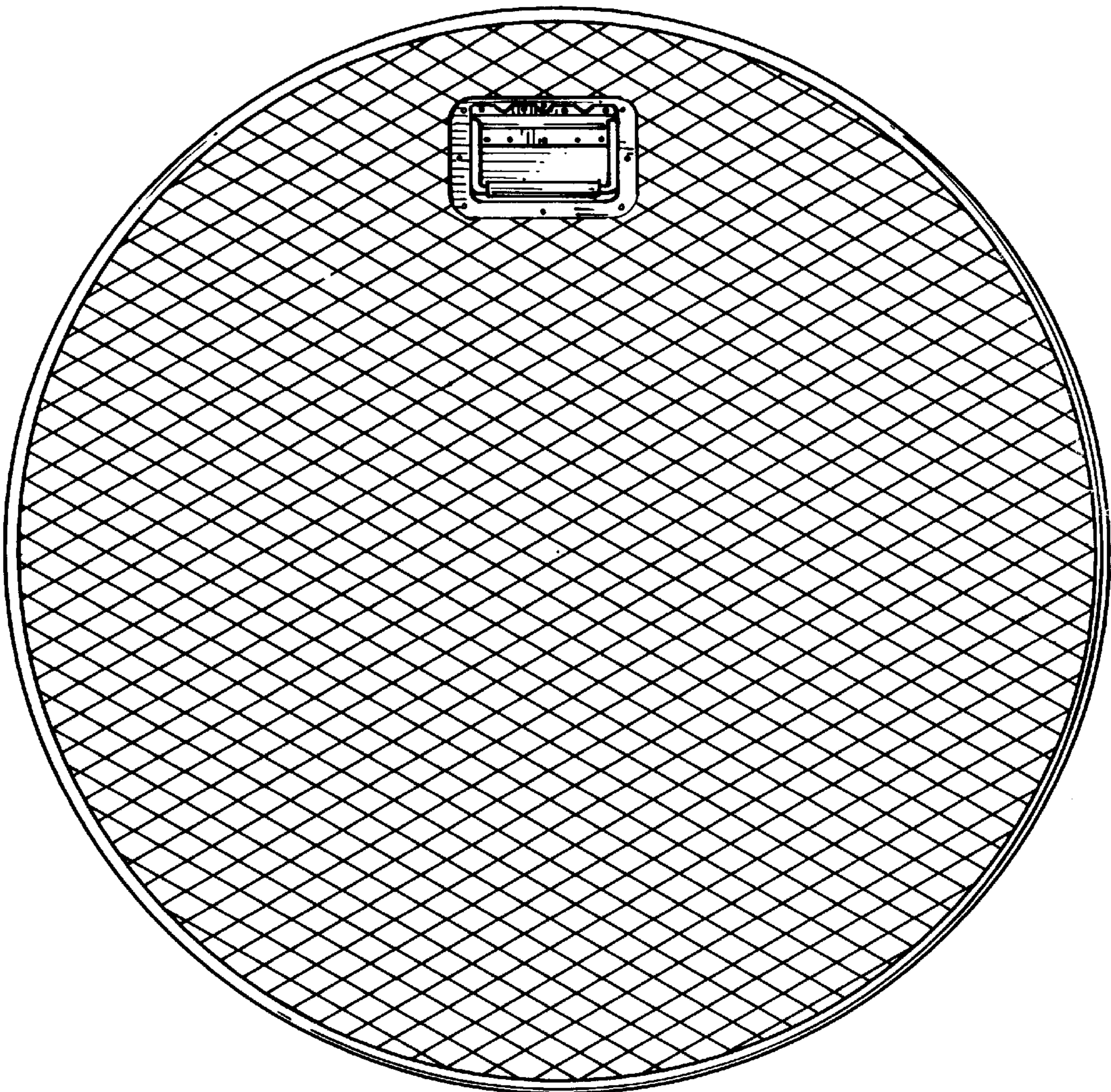


FIG. 3



FIG. 4



FIG. 5

