



US00D428657S

United States Patent [19]
Ward

[11] **Patent Number: Des. 428,657**
[45] **Date of Patent: ** Jul. 25, 2000**

[54] **TRANSPORT TRAY FOR AMPOULE PARTS**

[75] Inventor: **Jimmie Ward**, Bromma, Sweden

[73] Assignee: **Pharmacia & Upjohn AB**, Stockholm, Sweden

[**] Term: **14 Years**

[21] Appl. No.: **29/101,798**

[22] Filed: **Mar. 10, 1999**

[30] **Foreign Application Priority Data**

Sep. 10, 1998 [SE] Sweden 98-1795

[51] **LOC (7) Cl.** **09-05**

[52] **U.S. Cl.** **D24/229; D9/341**

[58] **Field of Search** D24/227, 229;
D9/341, 345, 500, 504, 502, 456; 422/102,
104; 206/564, 565, 557, 443, 820, 528,
529, 534.1, 563, 562, 366, 369

[56] **References Cited**

U.S. PATENT DOCUMENTS

D. 219,770 1/1971 Britt D9/341
D. 288,605 3/1987 Asenbauer D24/229

3,707,227 12/1972 Britt 206/443
4,645,079 2/1987 Hill D24/229
4,958,732 9/1990 Rau et al. 206/443
5,199,567 4/1993 Discko, Jr. 206/369
5,360,109 11/1994 Janota 206/564
5,794,796 8/1998 Weisburn 206/564
5,897,835 4/1999 Seaton et al. 206/564

Primary Examiner—Ian Simmons
Attorney, Agent, or Firm—Young & Thompson

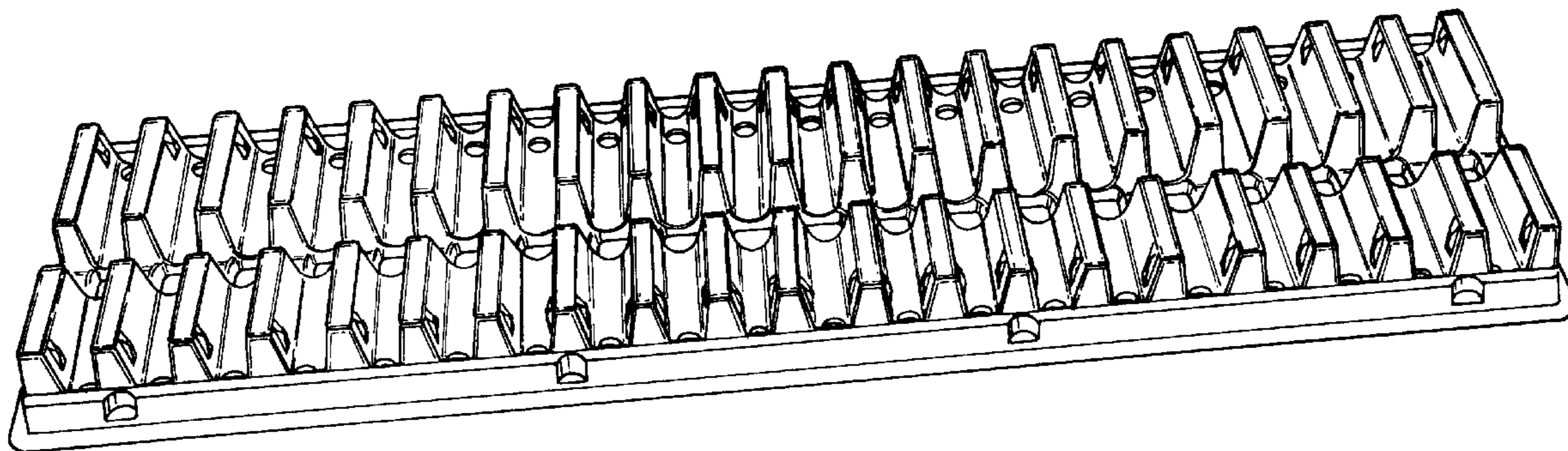
[57] **CLAIM**

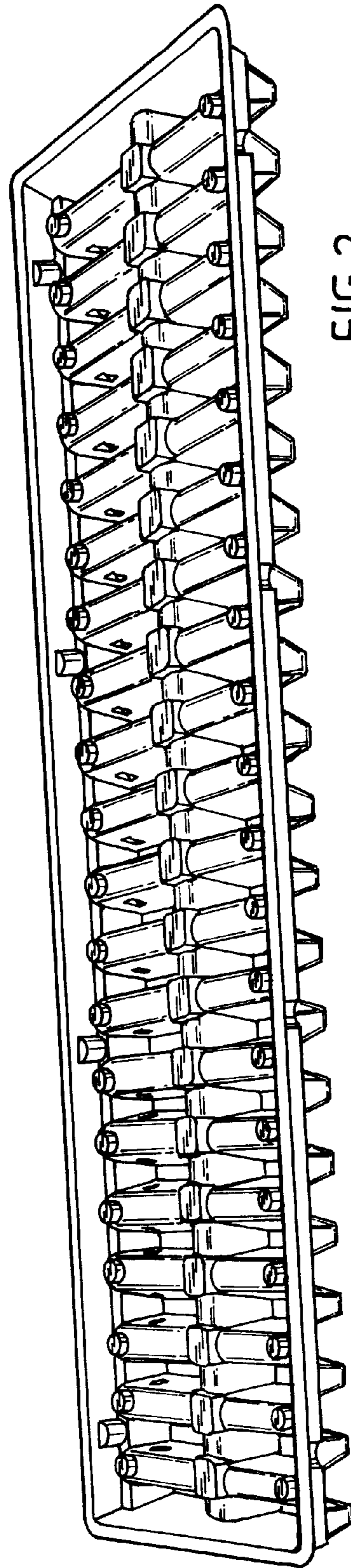
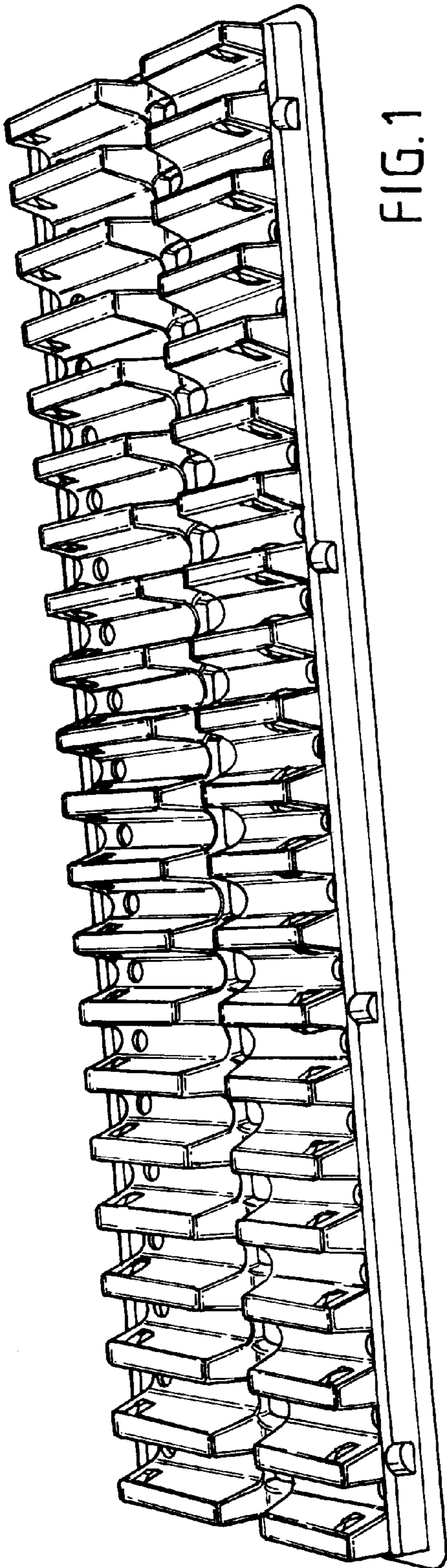
The ornamental design for a transport tray for ampoule parts, as shown and described.

DESCRIPTION

FIG. 1 is a top and side perspective view of a transport tray for syringes, showing my new design;
FIG. 2 is a bottom and side perspective view thereof;
FIG. 3 is a top plan view thereof;
FIG. 4 is a bottom plan view thereof;
FIG. 5 is a side elevational view thereof, the opposite side thereof is identical thereto; and,
FIG. 6 is an end elevational view thereof, the opposite side thereof is identical thereof.

1 Claim, 3 Drawing Sheets





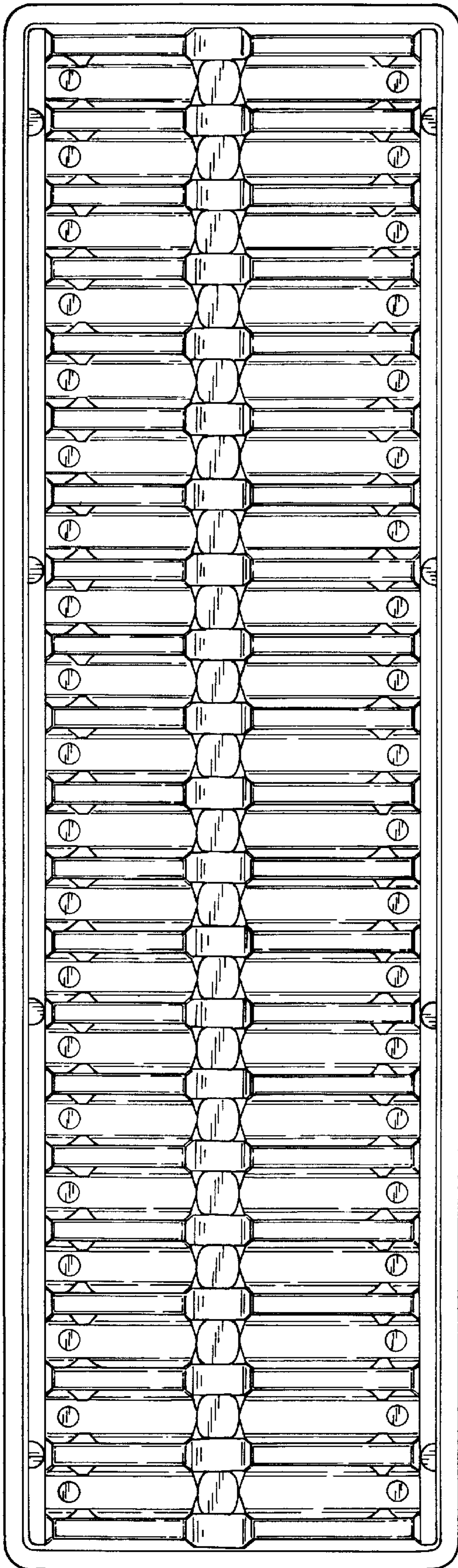


FIG. 3

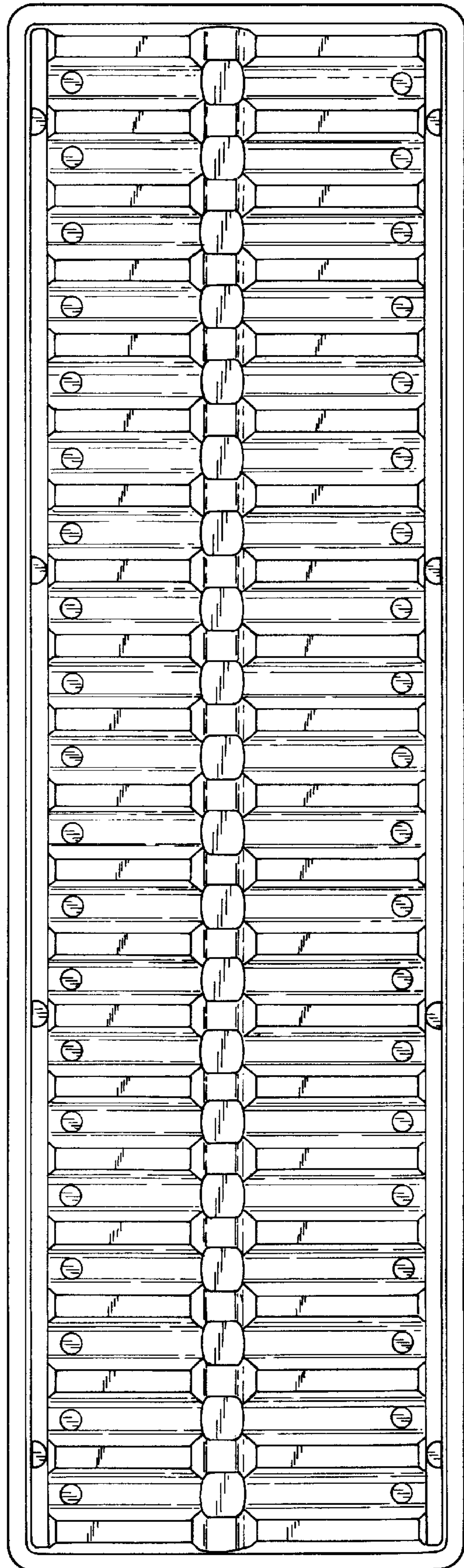


FIG. 4

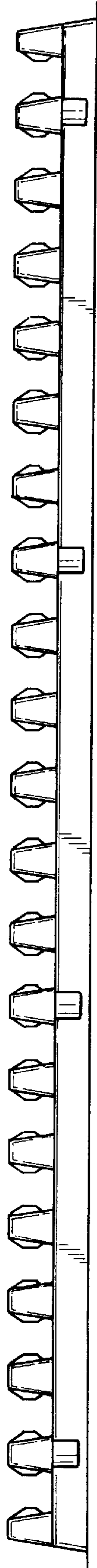


FIG. 5



FIG. 6