



US00D428656S

United States Patent [19]

[11] Patent Number: **Des. 428,656**

Alexander et al.

[45] Date of Patent: **** Jul. 25, 2000**

[54] **BABY BOTTLE WITH MUSICAL AND RATTLE ADAPTER**

D. 326,158	5/1992	Katz et al.	D24/198
D. 404,493	1/1999	Varlet	D24/197
5,038,948	8/1991	Signorini	215/11.1
5,344,034	9/1994	Eagan	215/11.1
5,842,901	12/1998	Montgomery	446/77

[76] Inventors: **Brian Alexander; Rose Alexander**,
both of 564 Summit Dr., Point Pleasant,
N.J. 08742

Primary Examiner—Stella Reid
Attorney, Agent, or Firm—Thomas R. Farino, Jr. Esq.

[**] Term: **14 Years**

[57] CLAIM

[21] Appl. No.: **29/112,899**

The ornamental design for a baby bottle with musical and rattle adapter, as shown and described.

[22] Filed: **Oct. 26, 1999**

DESCRIPTION

[51] **LOC (7) Cl.** **07-01**

[52] **U.S. Cl.** **D24/197**

[58] **Field of Search** D24/197, 198,
D24/199; 215/11.1, 11.2, 11.3, 11.4, 11.5,
11.6

FIG. 1 is a perspective view of a baby bottle with musical and rattle adapter, showing our new design;
FIG. 2 is a front view thereof;
FIG. 3 is a top view thereof; and,
FIG. 4 is a bottom view thereof.

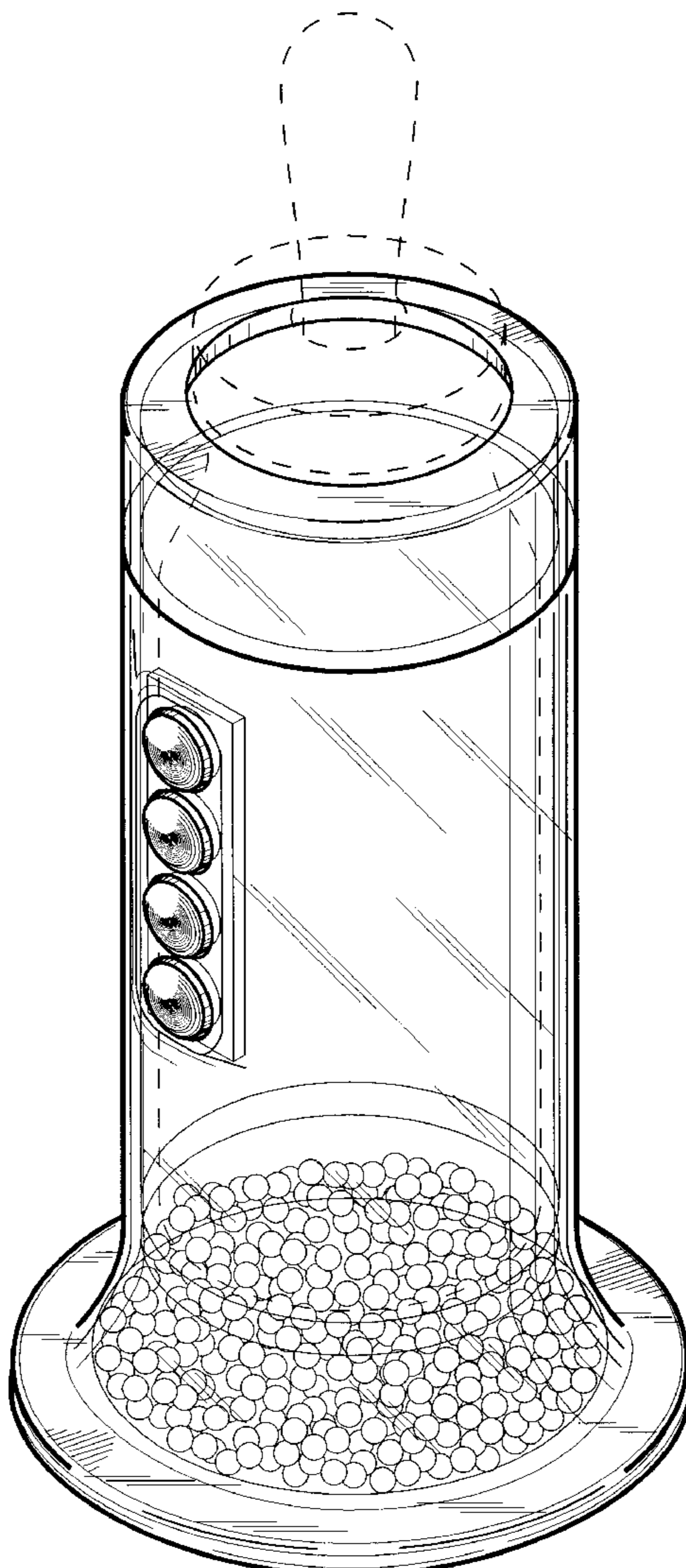
[56] References Cited

The broken line showing is for illustrative purposes only and forms no part of the claimed design.

U.S. PATENT DOCUMENTS

D. 303,431	9/1989	Brown	D24/198
D. 318,731	7/1991	Chapin	D24/198

1 Claim, 2 Drawing Sheets



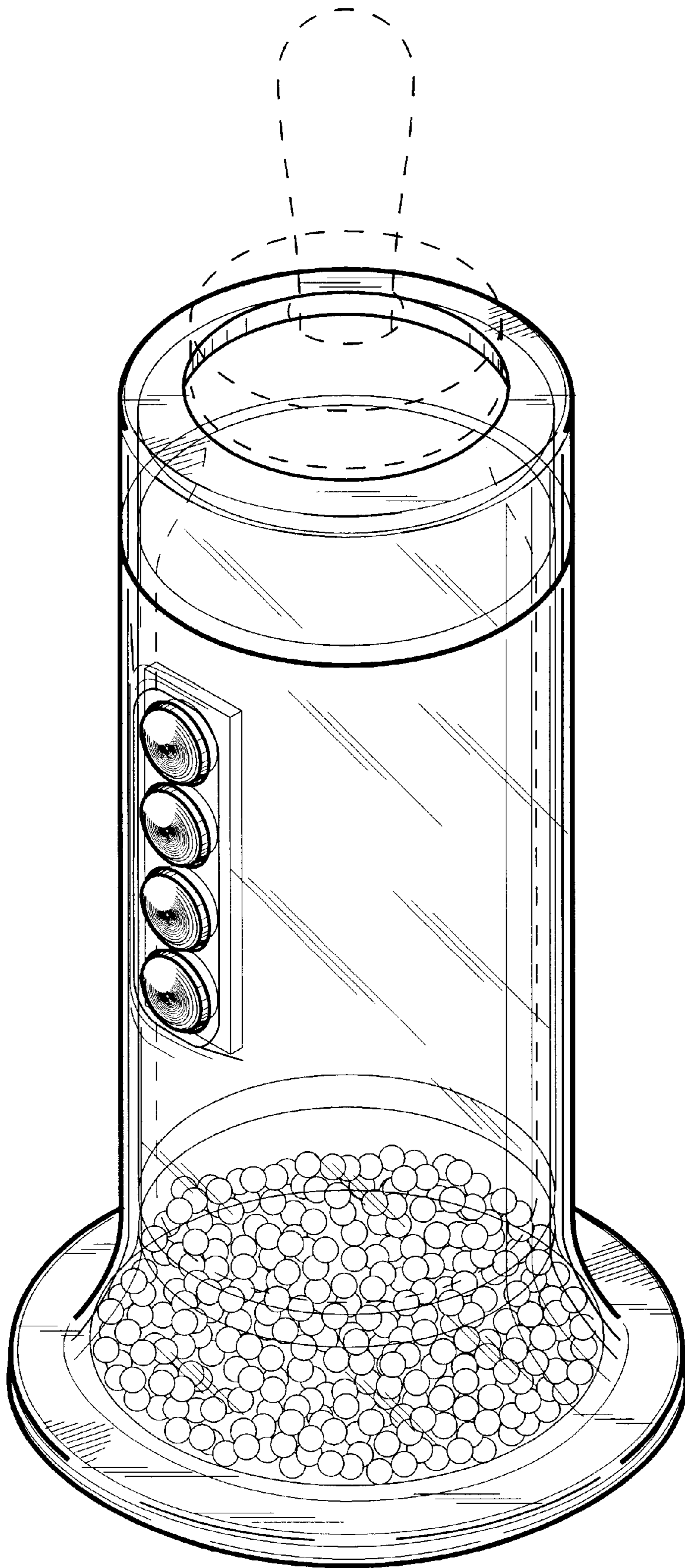


FIG. 1

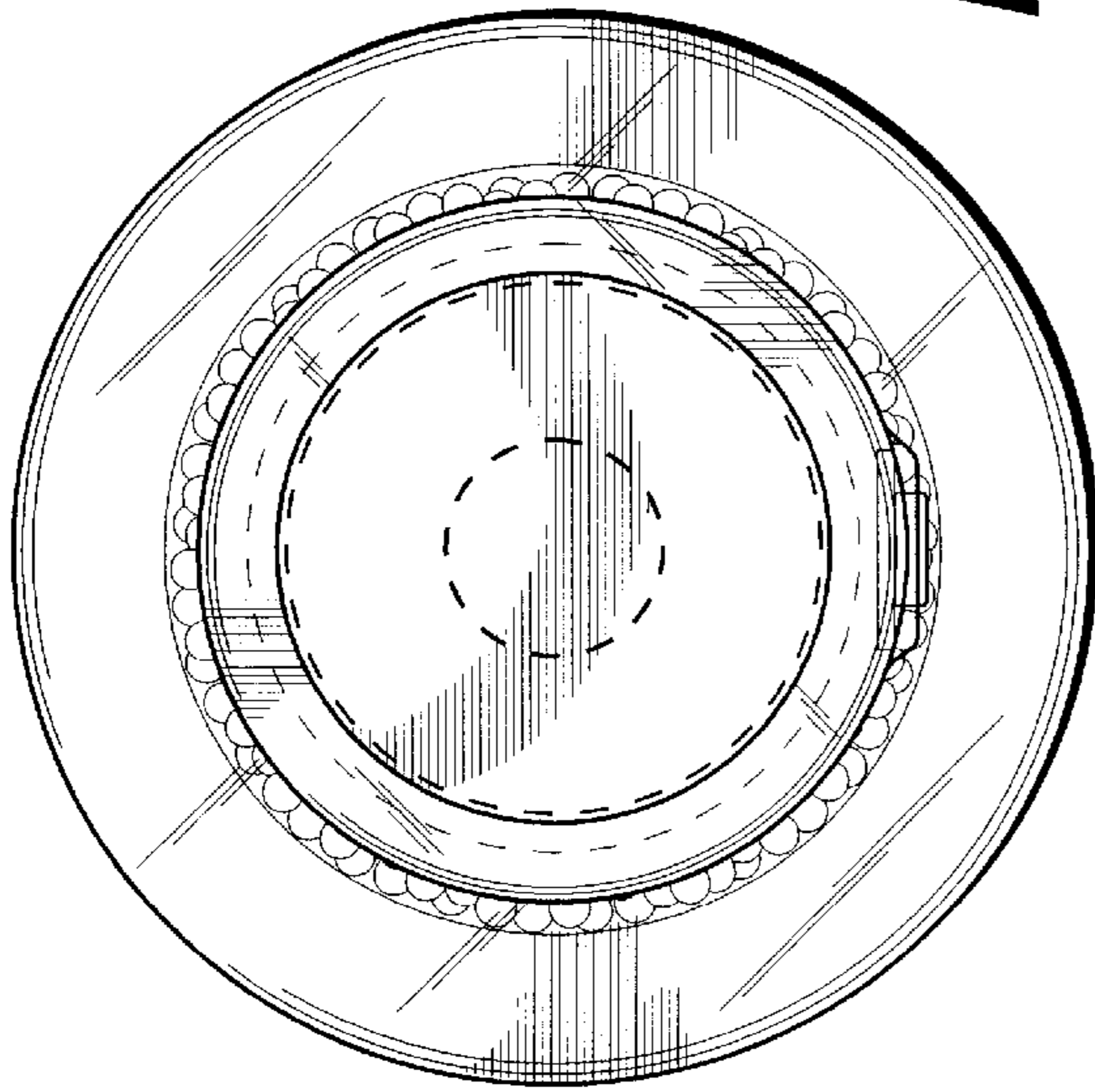


FIG. 3

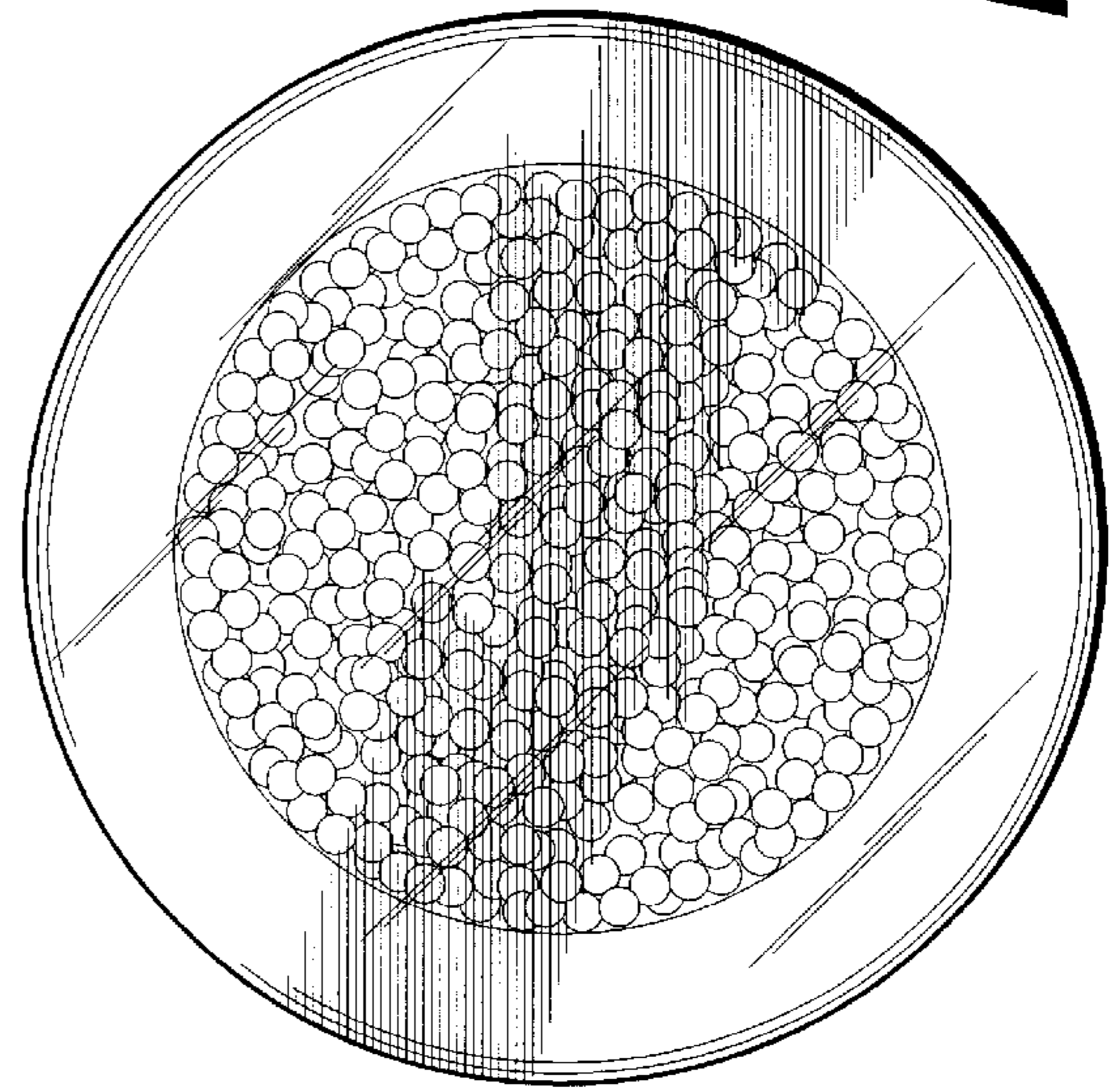


FIG. 4

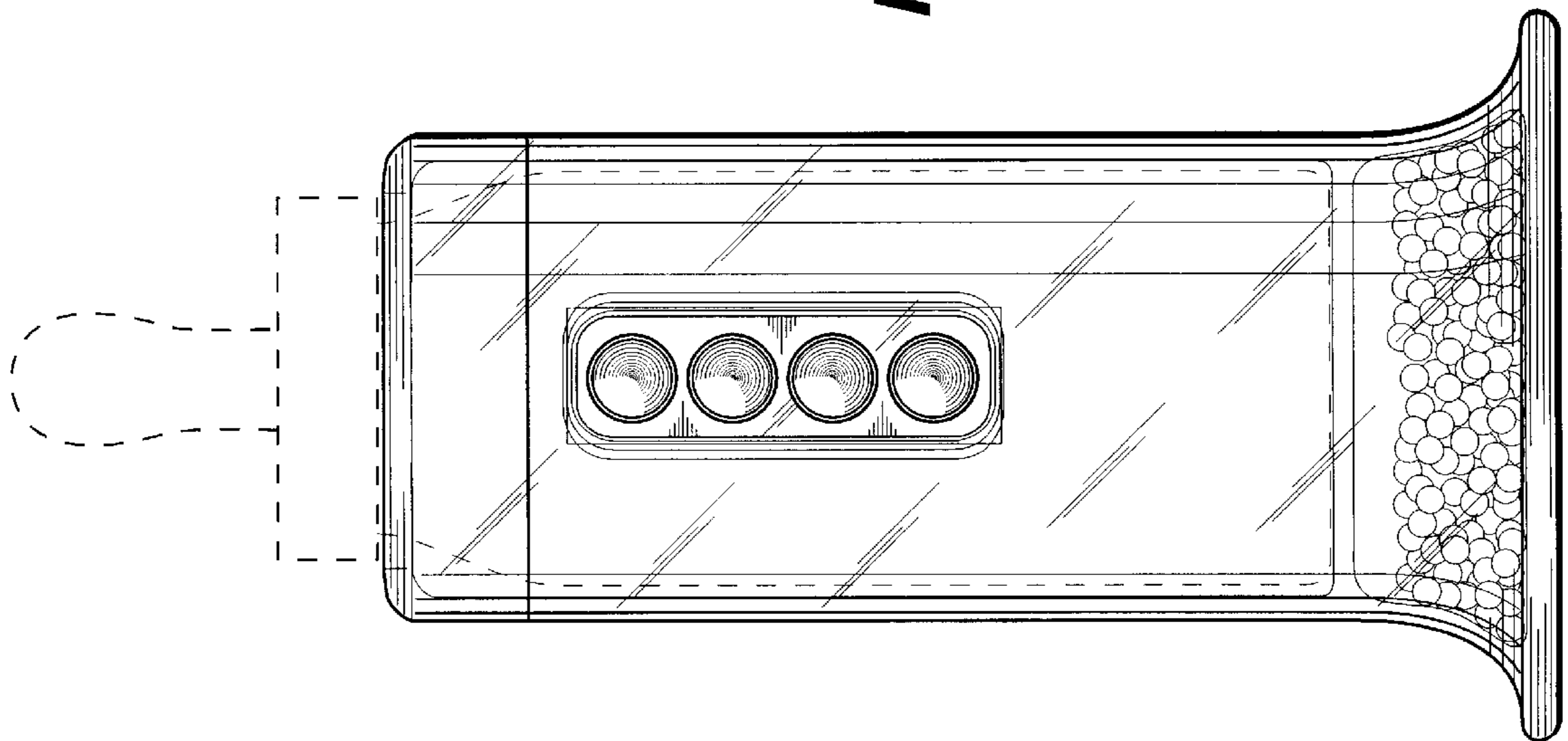


FIG. 2