



US00D428653S

United States Patent [19]
Bergström et al.

[11] **Patent Number: Des. 428,653**
[45] **Date of Patent: ** Jul. 25, 2000**

[54] **DENTAL IMPLANT COMPONENT** 5,211,664 5/1993 Tepic et al. 623/16

[75] Inventors: **Nils Gustaf Bergström**, Vagnhärad;
Leif E. Broberg, Mölndal, both of
Sweden; **Hansruedi Carisch**, La
Chaux-de-Fonds, Switzerland; **Anders
Holmén**, Hovås, Sweden

Primary Examiner—Antoine Duval Davis
Attorney, Agent, or Firm—White & Case LLP

[73] Assignee: **Astra Aktiebolag**, Sodertalje, Sweden

[57] **CLAIM**

[**] Term: **14 Years**

The ornamental design for a dental implant component, as shown and described.

[21] Appl. No.: **29/099,855**

[22] Filed: **Jan. 29, 1999**

[30] **Foreign Application Priority Data**

Jul. 29, 1998 [SE] Sweden 981486

DESCRIPTION

[51] **LOC (7) Cl.** **24-03**

[52] **U.S. Cl.** **D24/156**

[58] **Field of Search** D24/156; 433/172-195;
623/16

FIG. 1 is a side view of the dental implant component according to the present invention.

FIG. 2 is a perspective view from above of the dental implant component.

FIG. 3 is a perspective view from below of the dental implant component.

FIG. 4 is an underside view of the dental implant component; and,

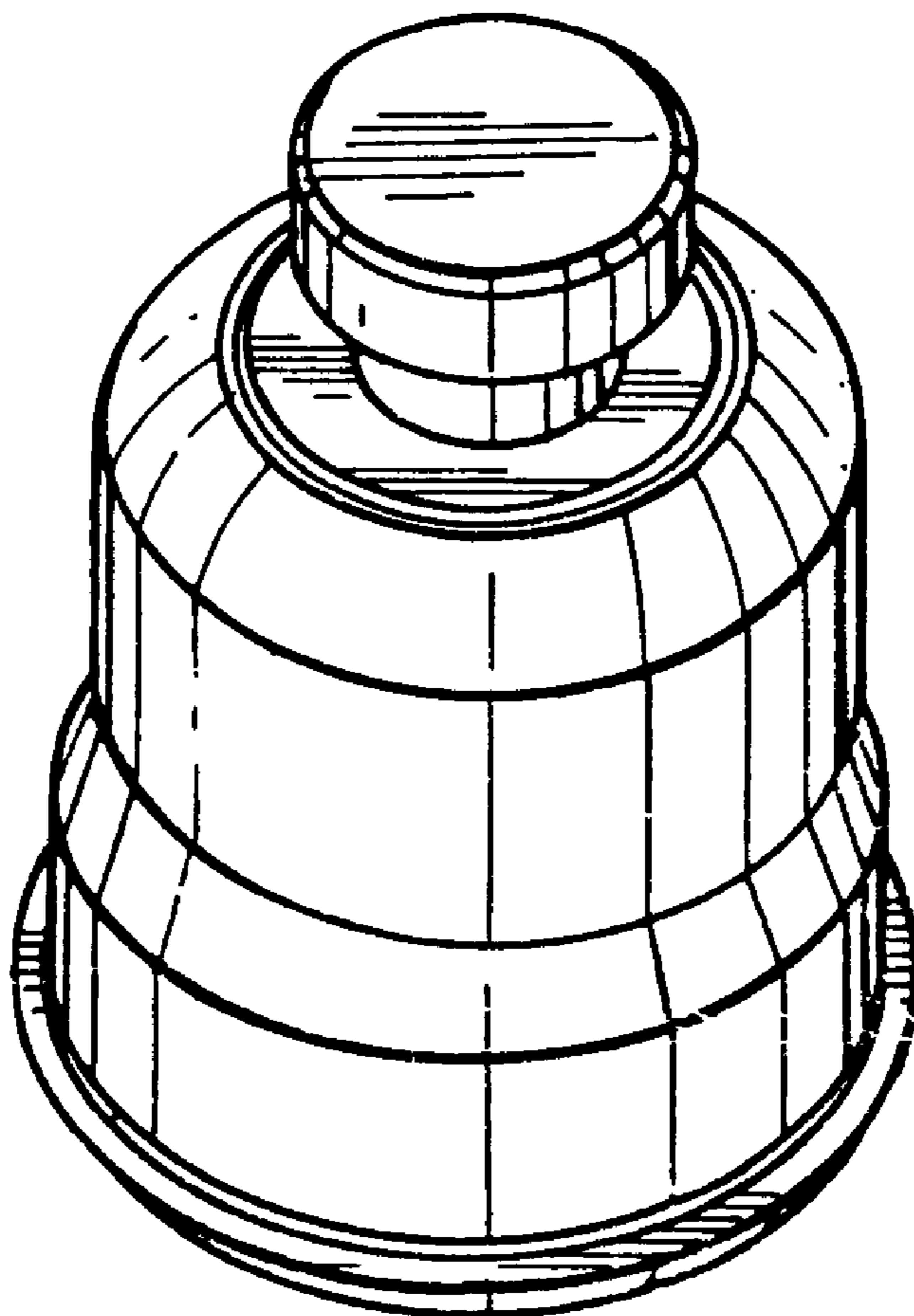
FIG. 5 is a plan view of the dental implant component.

[56] **References Cited**

U.S. PATENT DOCUMENTS

5,129,898 7/1992 Brusasco 623/16

1 Claim, 1 Drawing Sheet



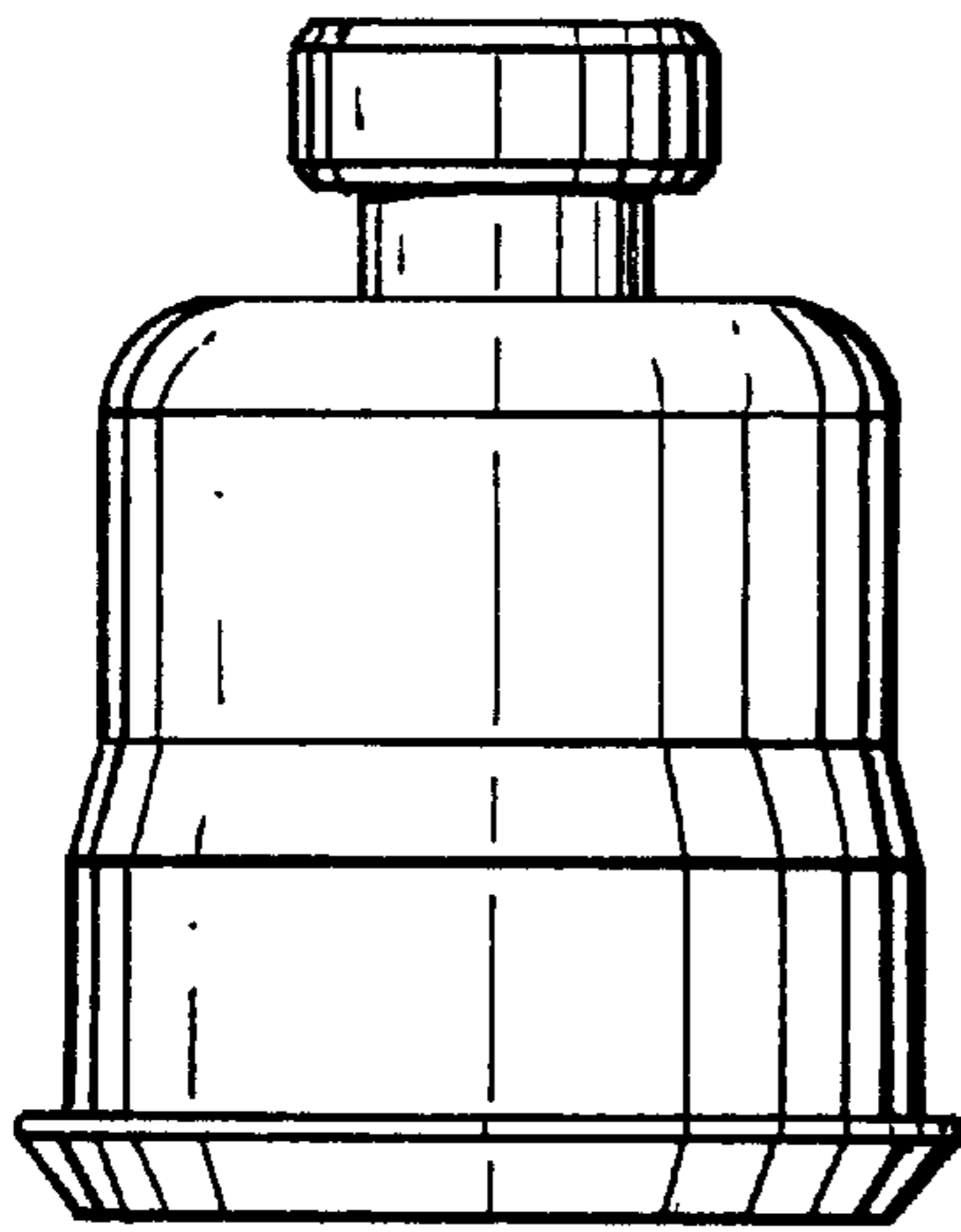


FIG. 1

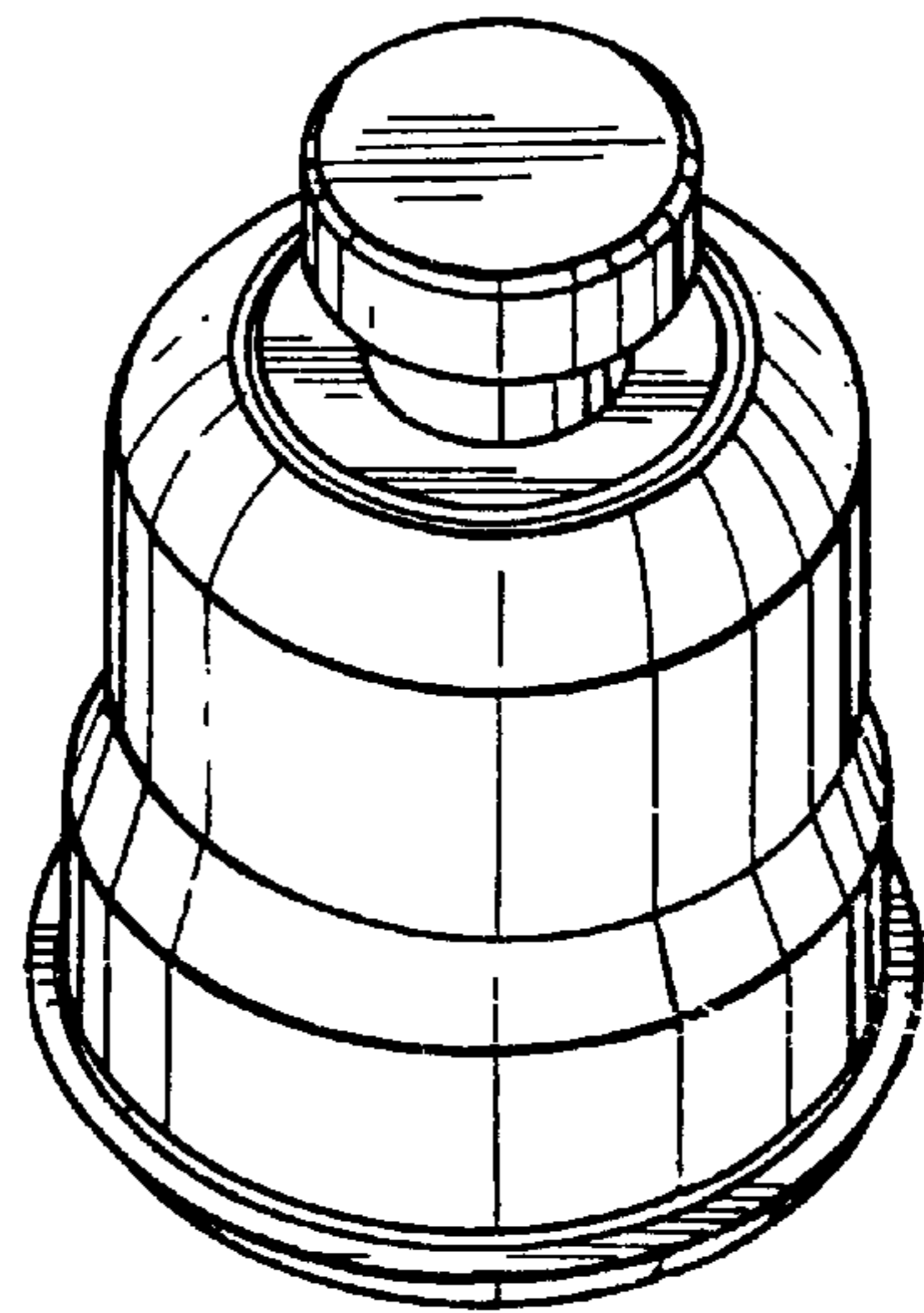


FIG. 2

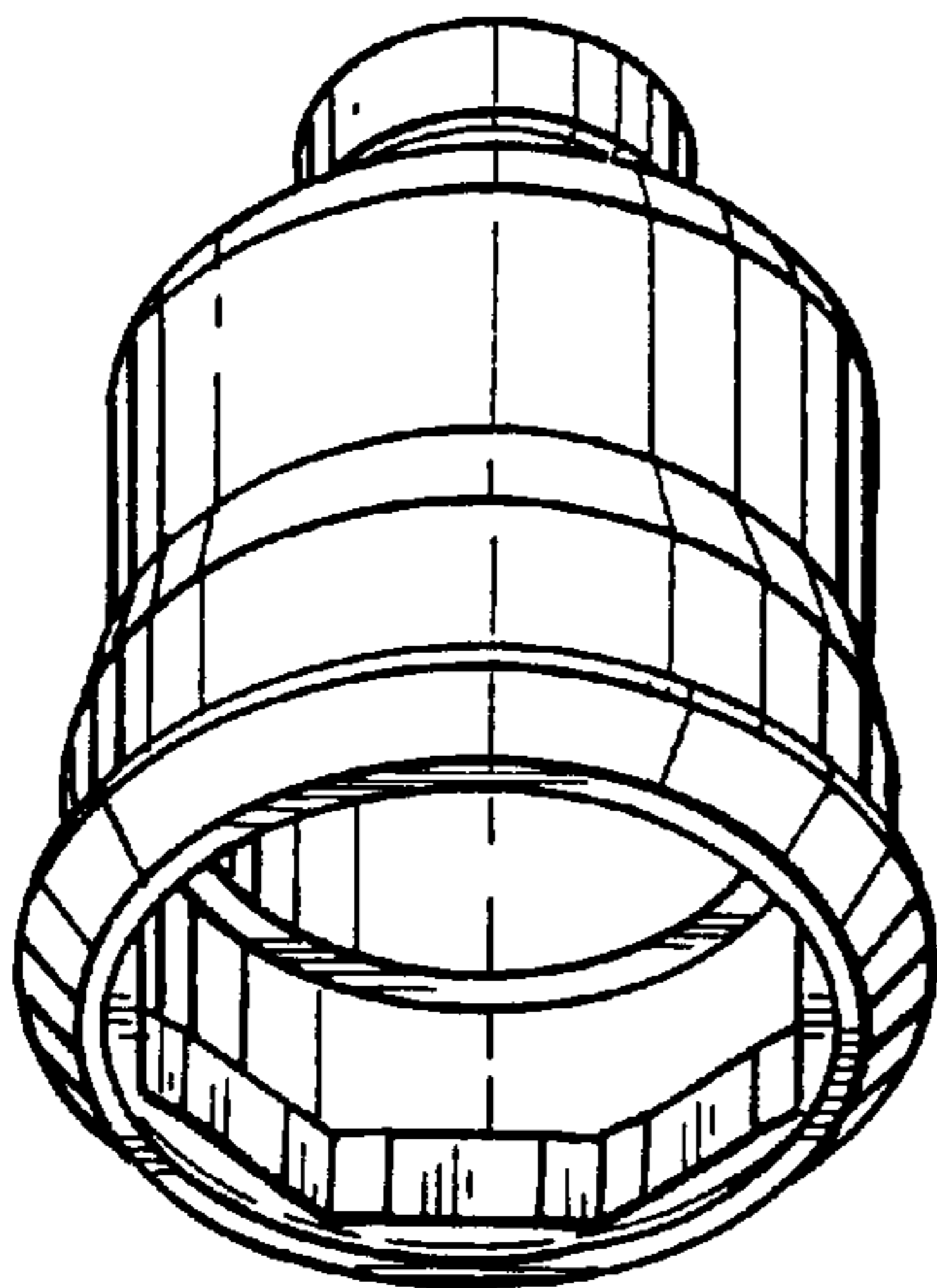


FIG. 3

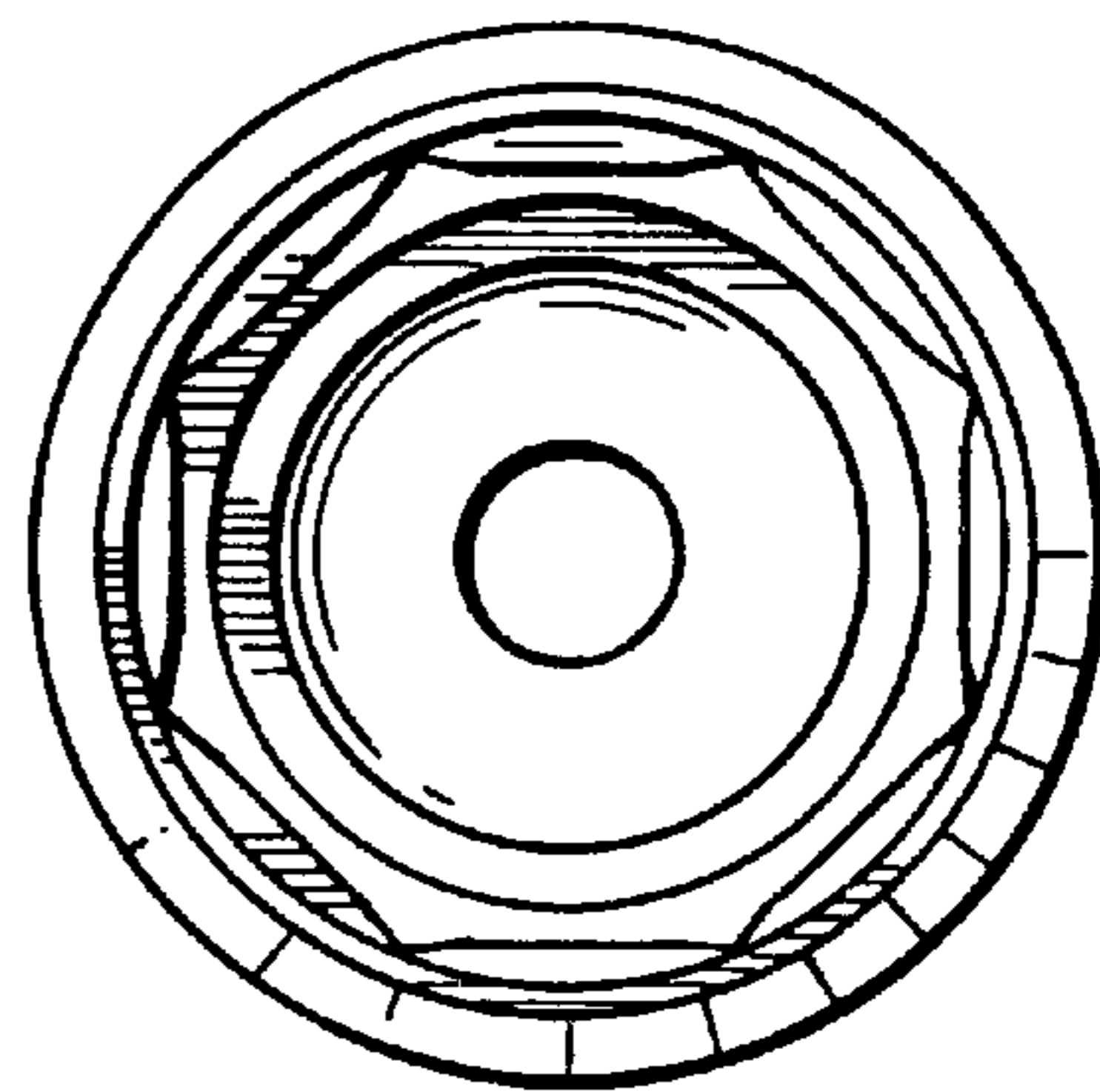


FIG. 4

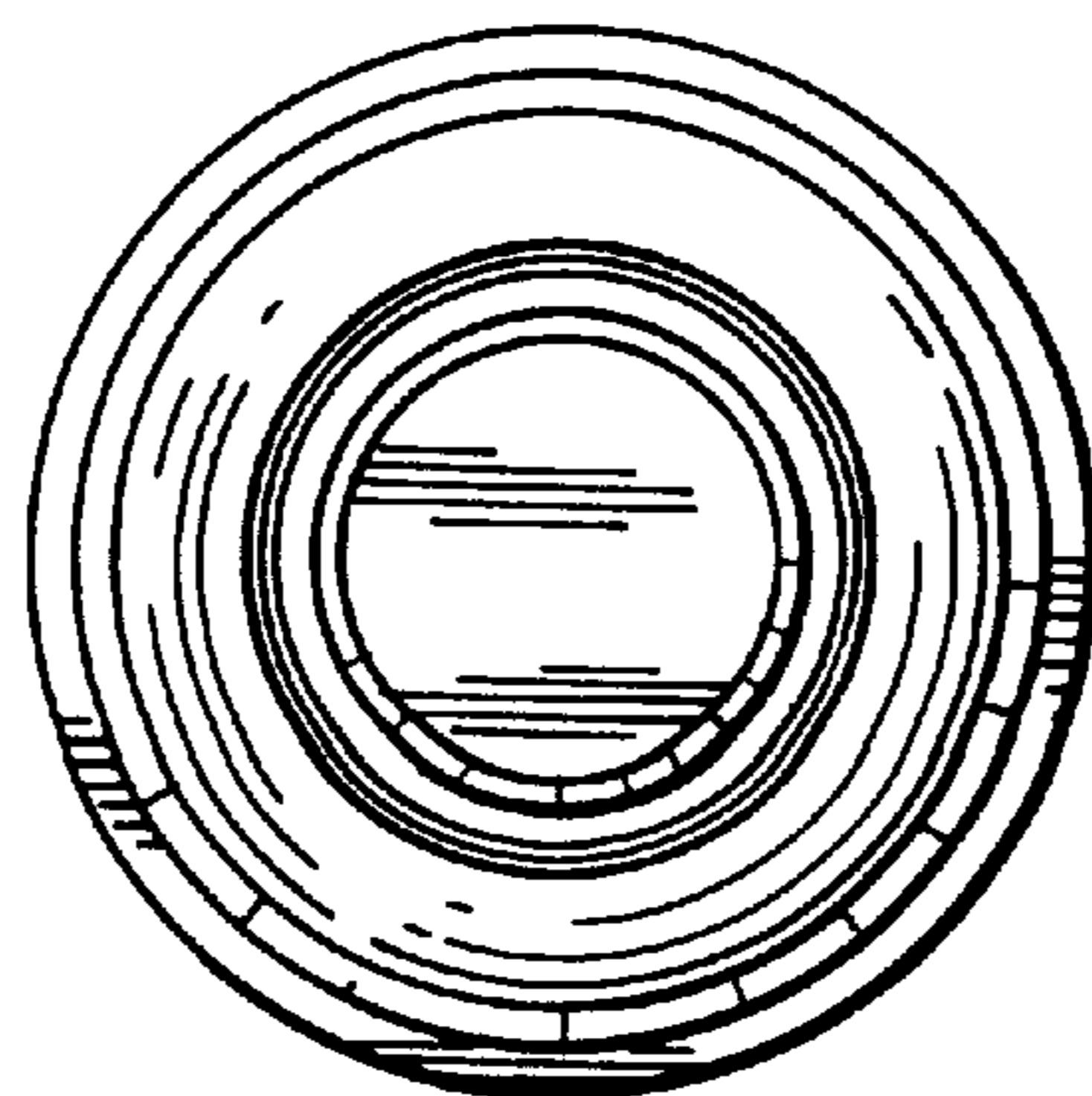


FIG. 5