



US00D428641S

United States Patent [19]
Müllenmeister

[11] **Patent Number: Des. 428,641**
[45] **Date of Patent: ** *Jul. 25, 2000**

[54] **FAUCET HANDLE**

[75] Inventor: **Daniel Müllenmeister**, Havixbeck,
Germany

[73] Assignee: **Friedrich Grohe AG**, Hemer, Germany

[*] Notice: This patent is subject to a terminal disclaimer.

[**] Term: **14 Years**

[21] Appl. No.: **29/105,125**

[22] Filed: **May 18, 1999**

[51] **LOC (7) Cl.** **23-01**

[52] **U.S. Cl.** **D23/250**

[58] **Field of Search** D23/250-257,
D23/238-243; D8/300-310; 16/112-121;
4/675-678; 137/801

[56] **References Cited**

U.S. PATENT DOCUMENTS

D. 344,128 2/1994 Gottwald D23/254

D. 345,004 3/1994 Bengtson D23/254
D. 363,765 10/1995 Starck D23/254
D. 393,895 4/1998 Gottwald D23/254
D. 397,771 9/1998 Lobermeier D23/254
D. 402,009 12/1998 Gottwald D23/254
D. 406,879 3/1999 Powell et al. D23/254

Primary Examiner—Eric Watterson
Attorney, Agent, or Firm—Herbert Dubno

[57] **CLAIM**

The ornamental design for a faucet handle, as shown.

DESCRIPTION

FIG. 1 is a top, front, right-side perspective view of a faucet handle showing my new design;
FIG. 2 is a right side elevational view thereof;
FIG. 3 is a bottom view thereof;
FIG. 4 is a front view thereof;
FIG. 5 is a top-plan view thereof;
FIG. 6 is a left-side elevational view thereof; and,
FIG. 7 is a rear view thereof.

1 Claim, 2 Drawing Sheets

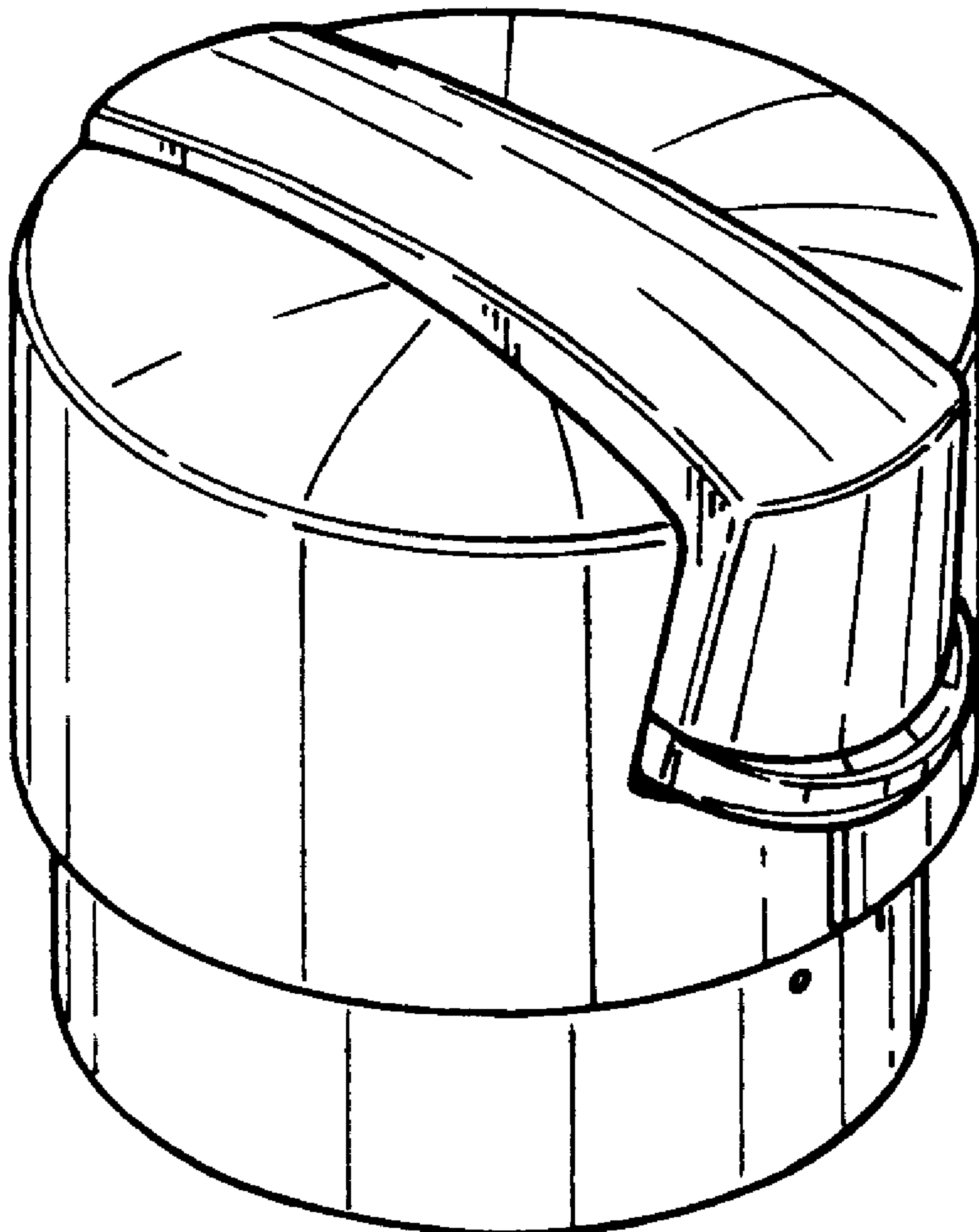


FIG.1

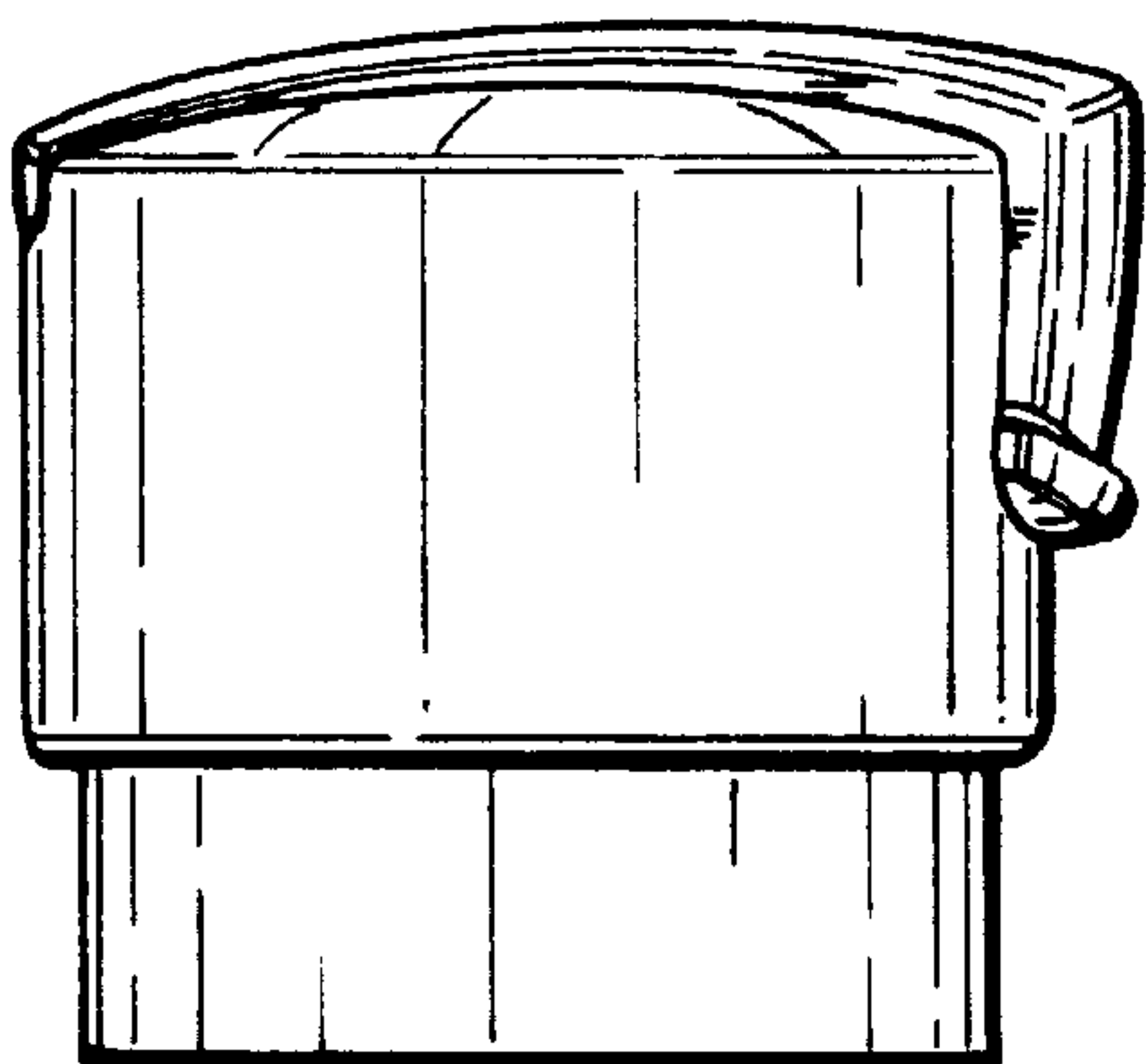
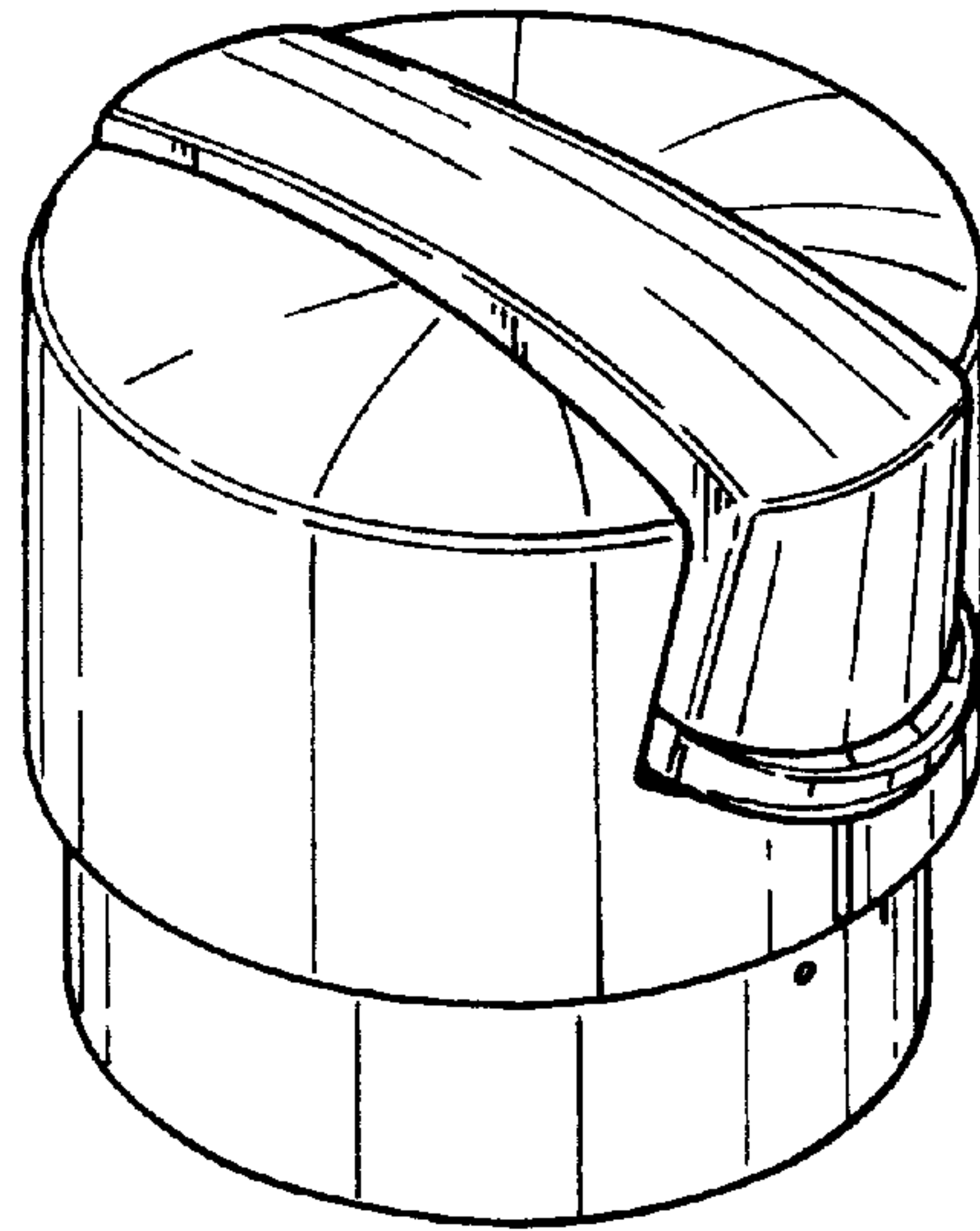


FIG.2

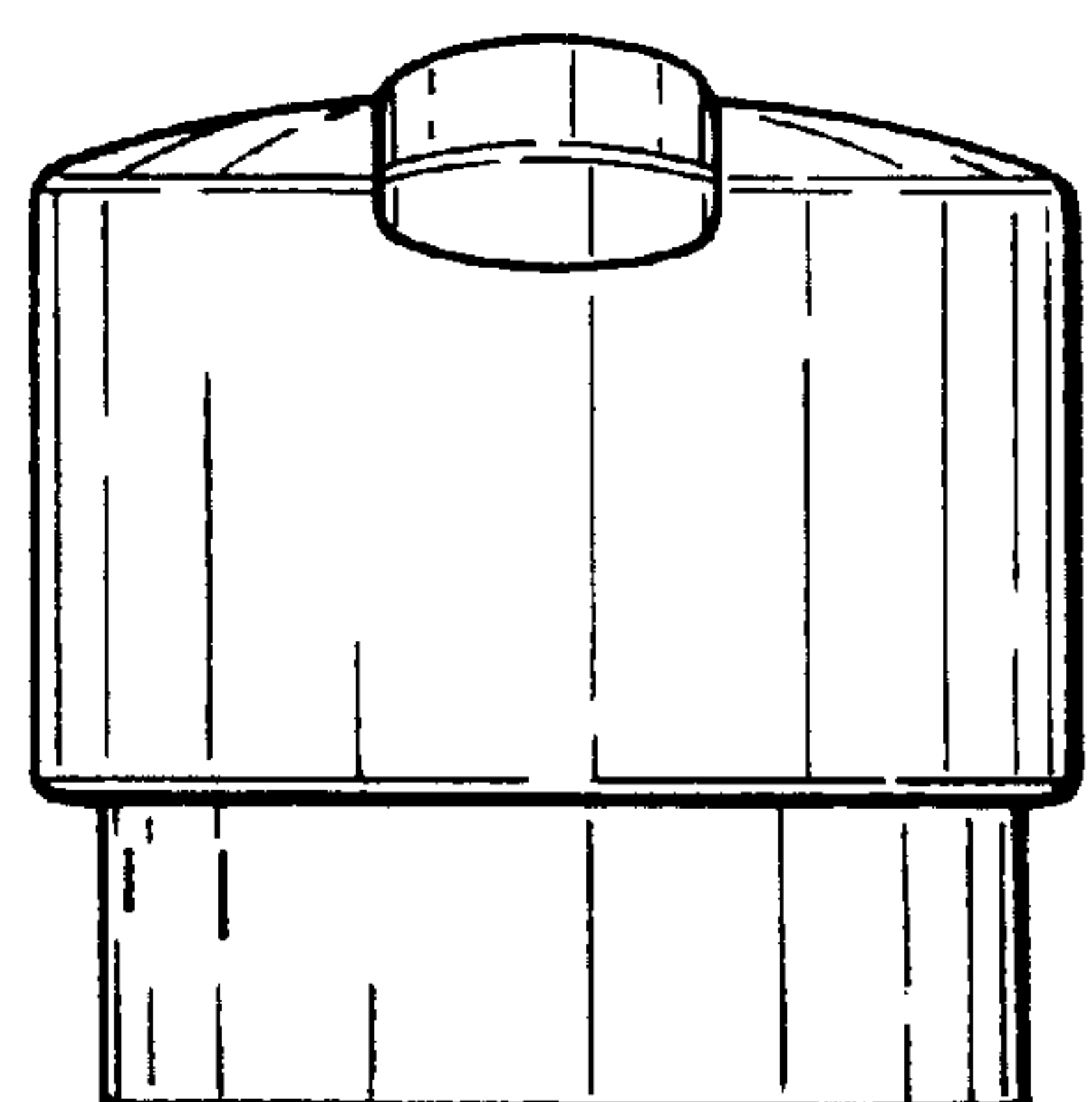


FIG.3

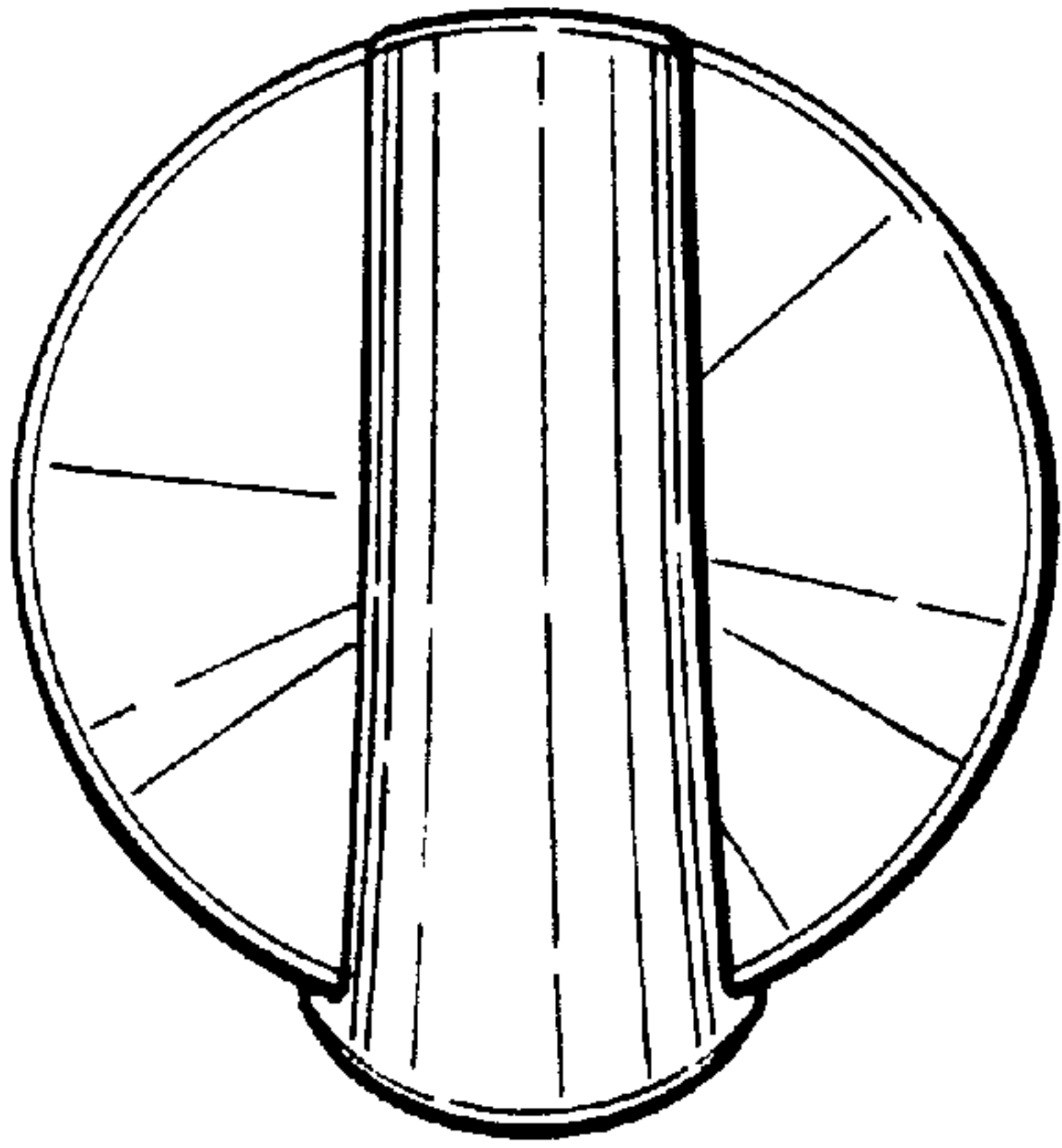


FIG. 4

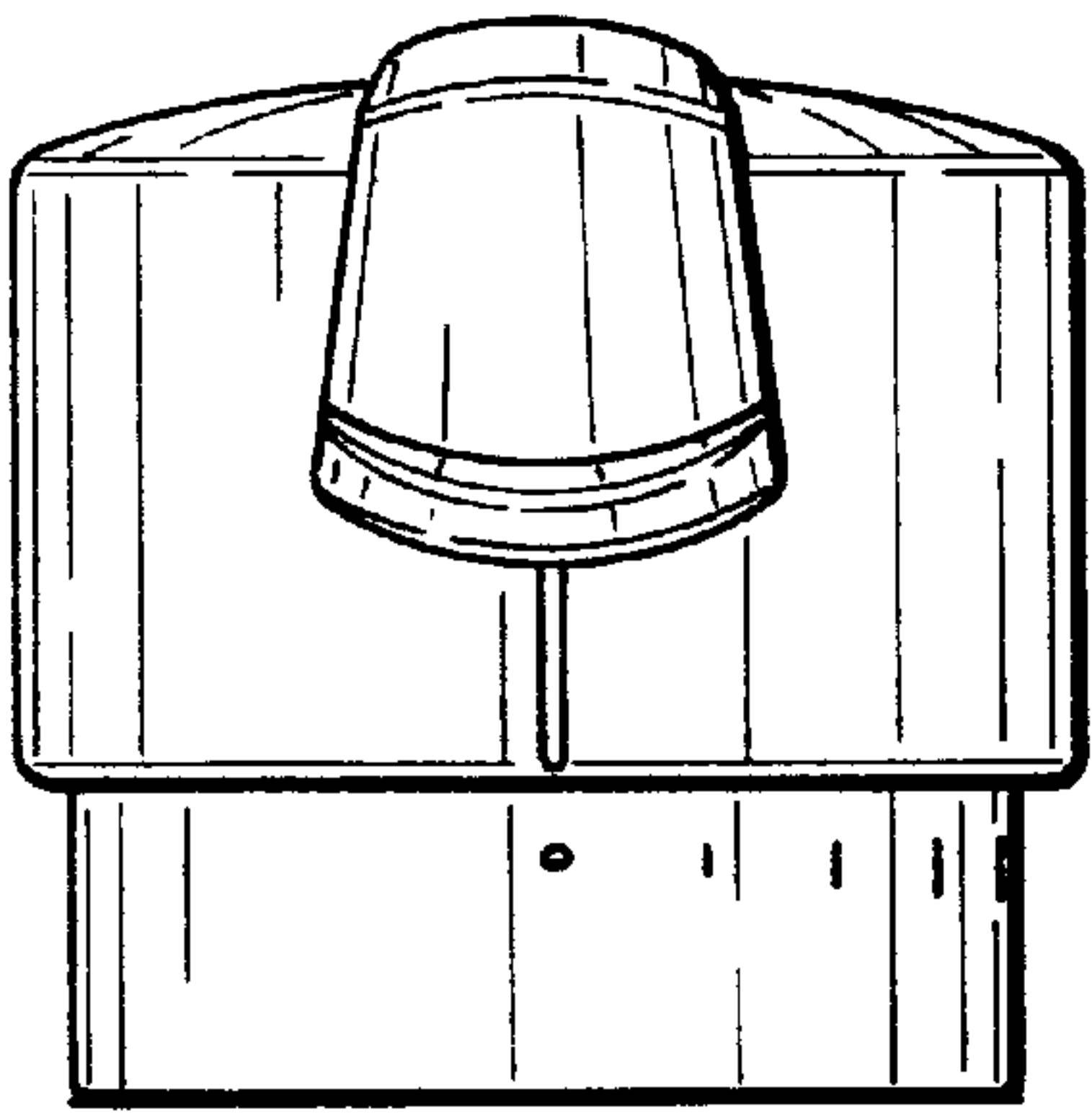


FIG. 5

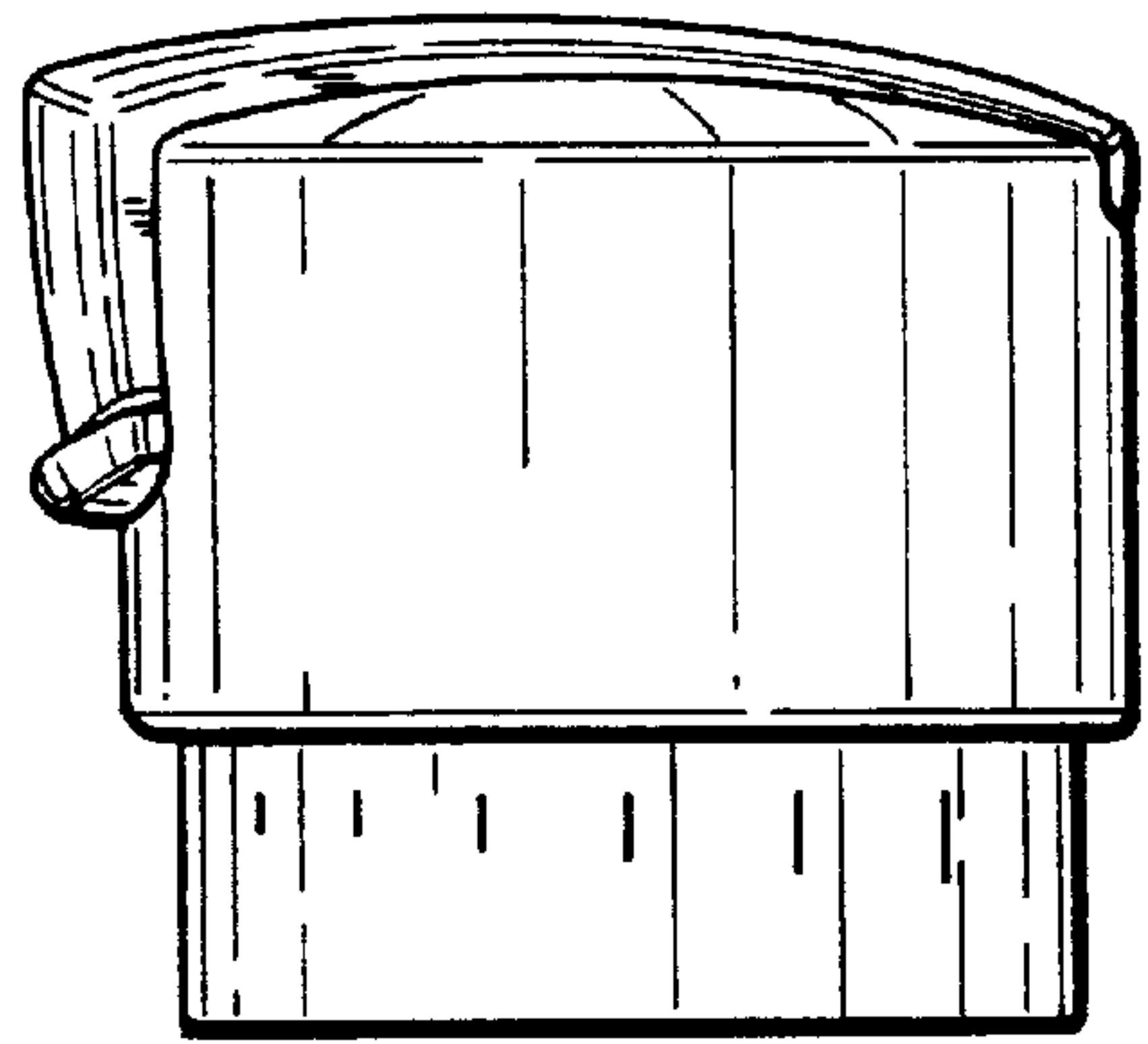


FIG. 6

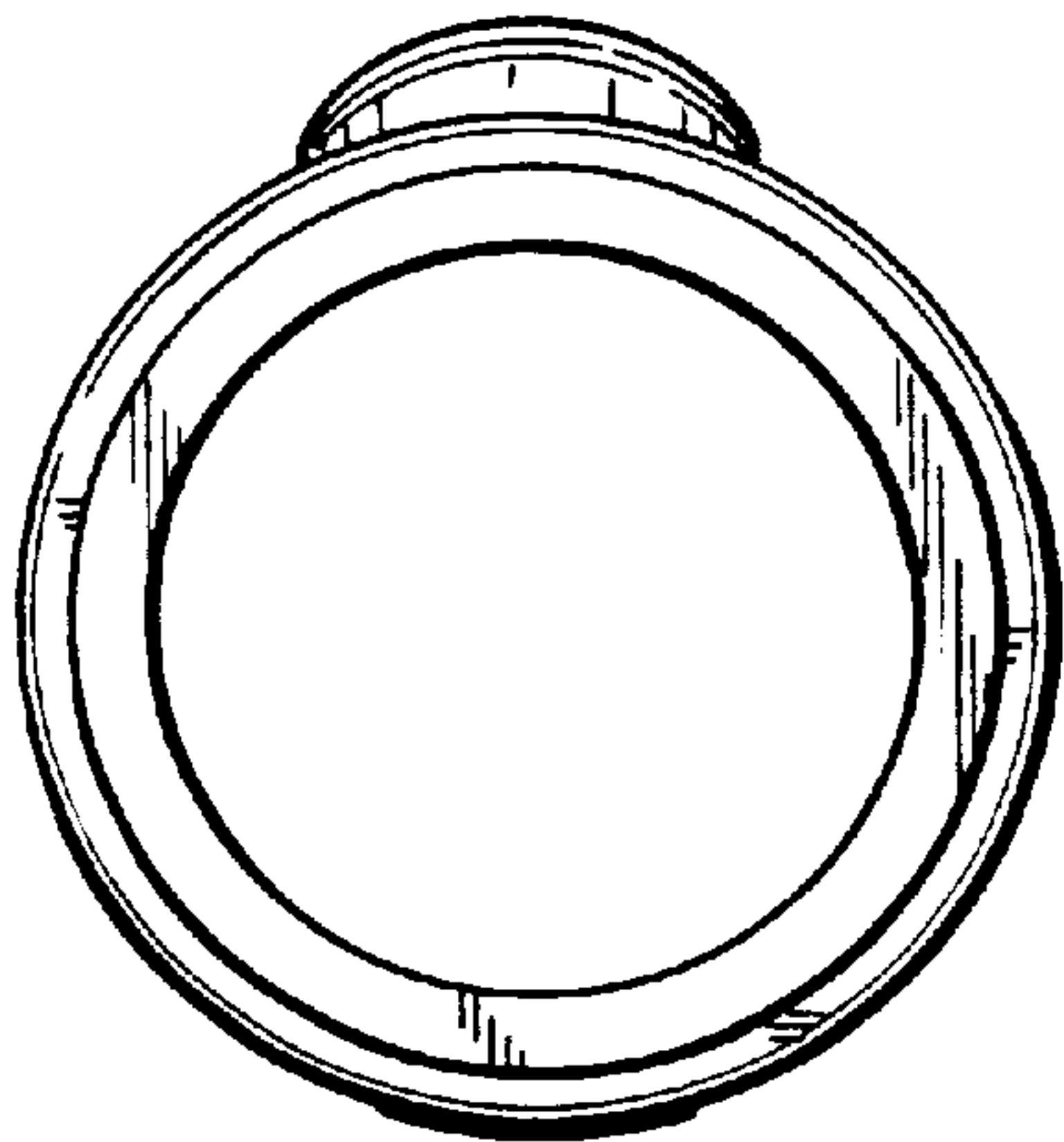


FIG. 7