



US00D428640S

United States Patent [19]
Pitsch

[11] **Patent Number: Des. 428,640**
[45] **Date of Patent: ** Jul. 25, 2000**

[54] **FAUCET HANDLE**

[75] **Inventor: Walter Pitsch, Franklin Park, N.J.**

[73] **Assignee: American Standard Inc., Piscataway, N.J.**

[**] **Term: 14 Years**

[21] **Appl. No.: 29/103,464**

[22] **Filed: Apr. 15, 1999**

[51] **LOC (7) Cl. 14-99**

[52] **U.S. Cl. D23/238**

[58] **Field of Search D23/238-243,
D23/250-254; D8/300-310; 16/110 R-121;
4/675-678**

[56] **References Cited**

U.S. PATENT DOCUMENTS

| | | | | |
|------------|--------|---------|-------|---------|
| D. 141,187 | 5/1945 | Stanitz | | D23/252 |
| D. 145,604 | 9/1946 | Rauscil | | D23/252 |
| D. 169,434 | 4/1953 | Gredell | | D23/252 |
| D. 190,897 | 7/1961 | Chapman | | D23/252 |
| D. 209,804 | 1/1968 | Landell | | D23/252 |

| | | | | |
|------------|---------|-----------------|-------|---------|
| D. 241,844 | 10/1976 | Shames et al. | | D23/252 |
| D. 258,835 | 4/1981 | Saporito et al. | | D23/242 |
| D. 368,957 | 4/1996 | Bavoso | | D23/252 |
| D. 414,247 | 9/1999 | Kolada et al. | | D23/252 |

OTHER PUBLICATIONS

Sterling Plumbing Group Catalog, 1994, Bar, Pantry and Laundry Faucets, pp. 16 and 21.

Primary Examiner—Louis S. Zarfes

[57] **CLAIM**

The ornamental design for a faucet handle, as shown and described.

DESCRIPTION

FIG. 1 is a perspective view of a faucet handle showing my new design;
FIG. 2 is a front view thereof;
FIG. 3 is a side elevational view, the opposite side being a mirror image thereof;
FIG. 4 is a back view thereof;
FIG. 5 is a top plan view thereof; and,
FIG. 6 is a bottom plan view thereof.

1 Claim, 5 Drawing Sheets

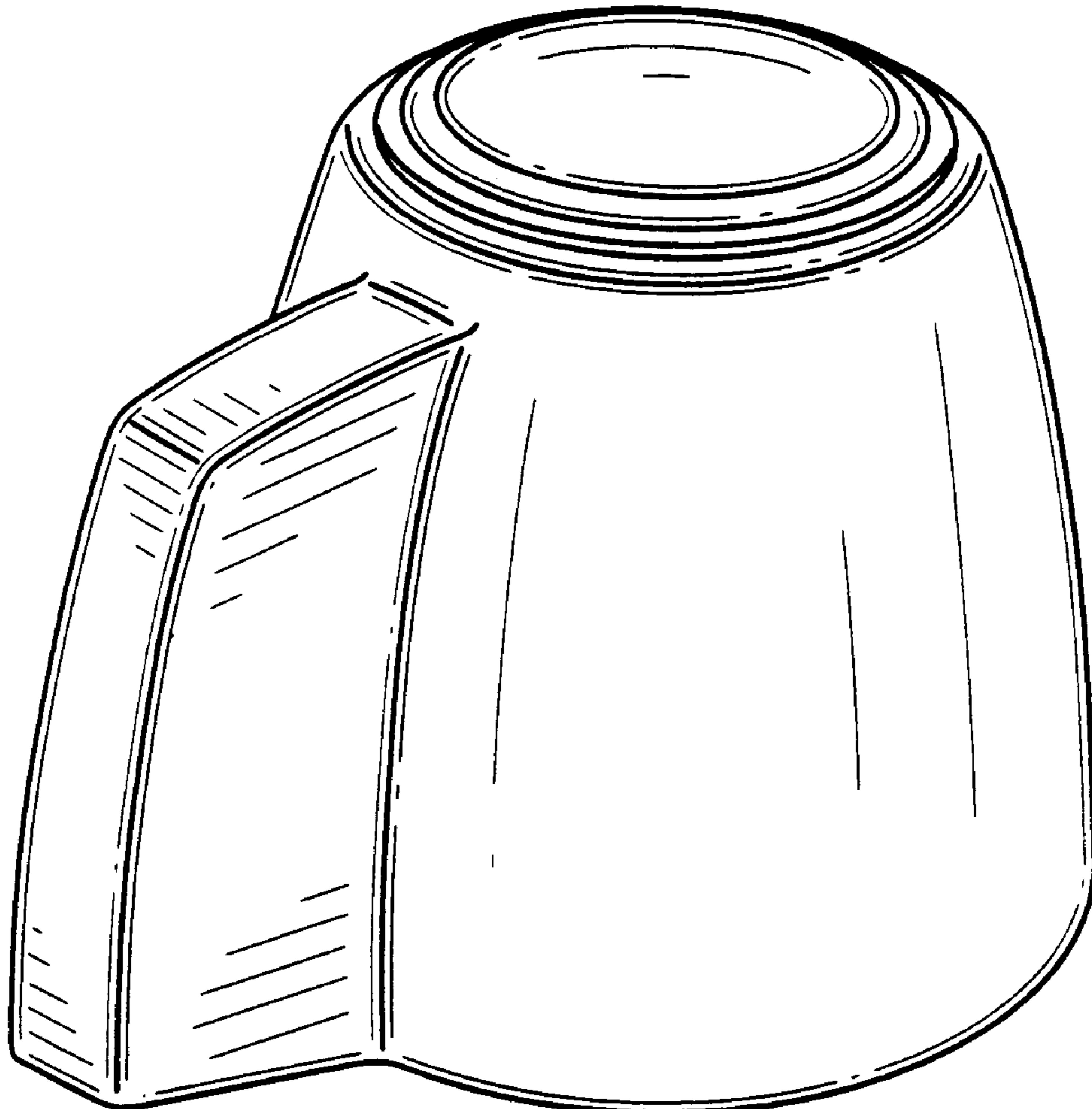


FIG-1

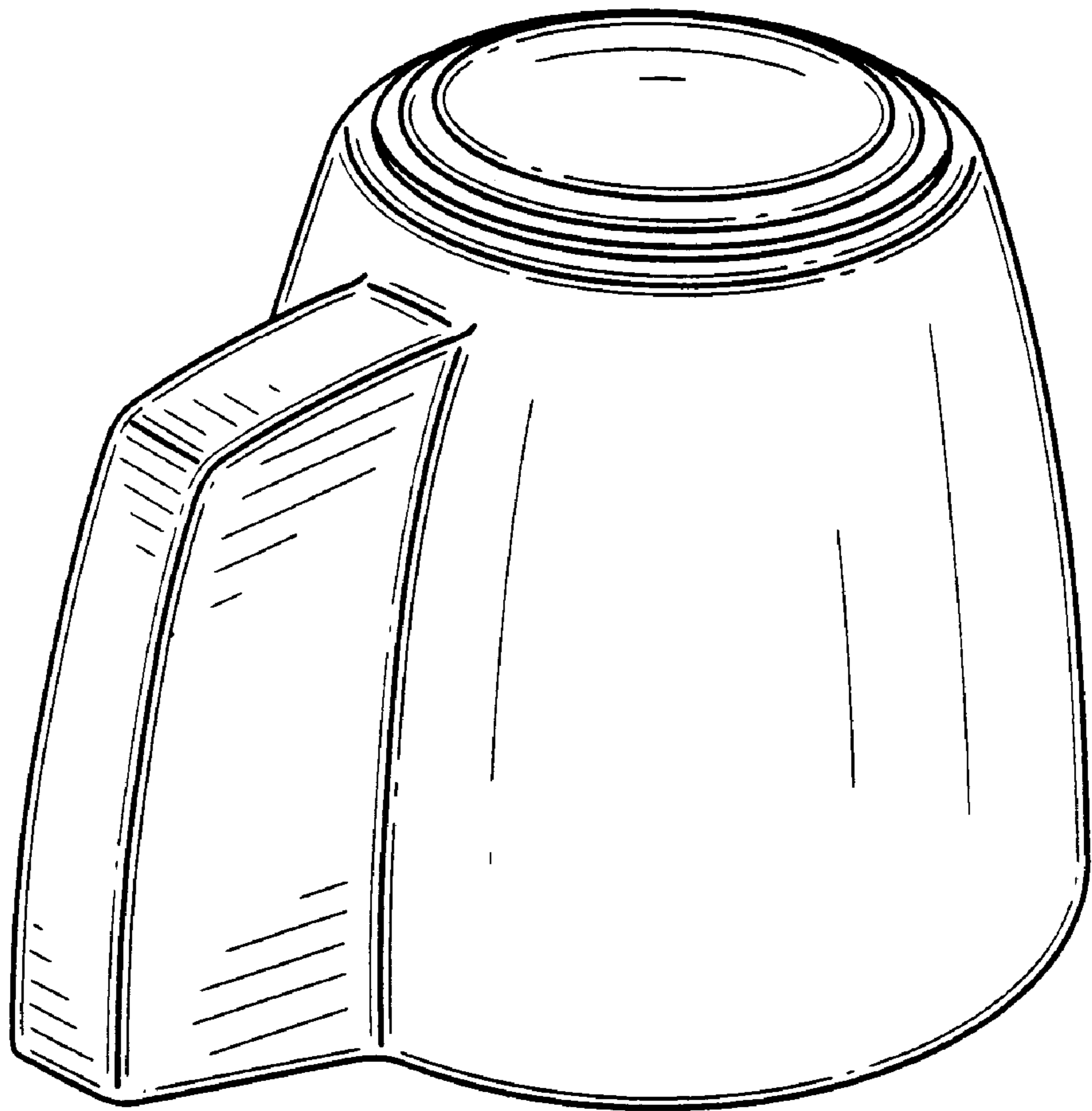


FIG-2

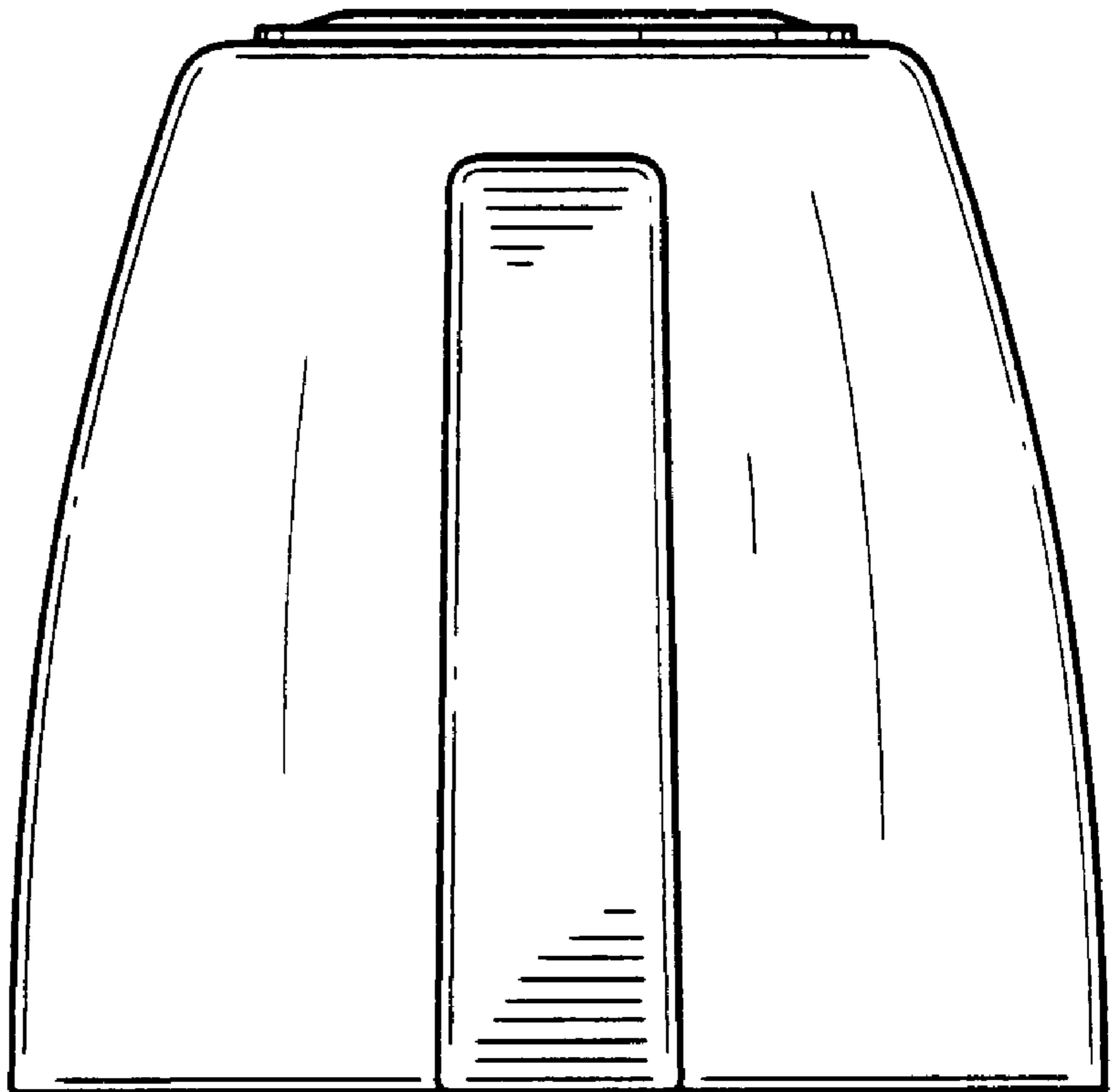


FIG-3

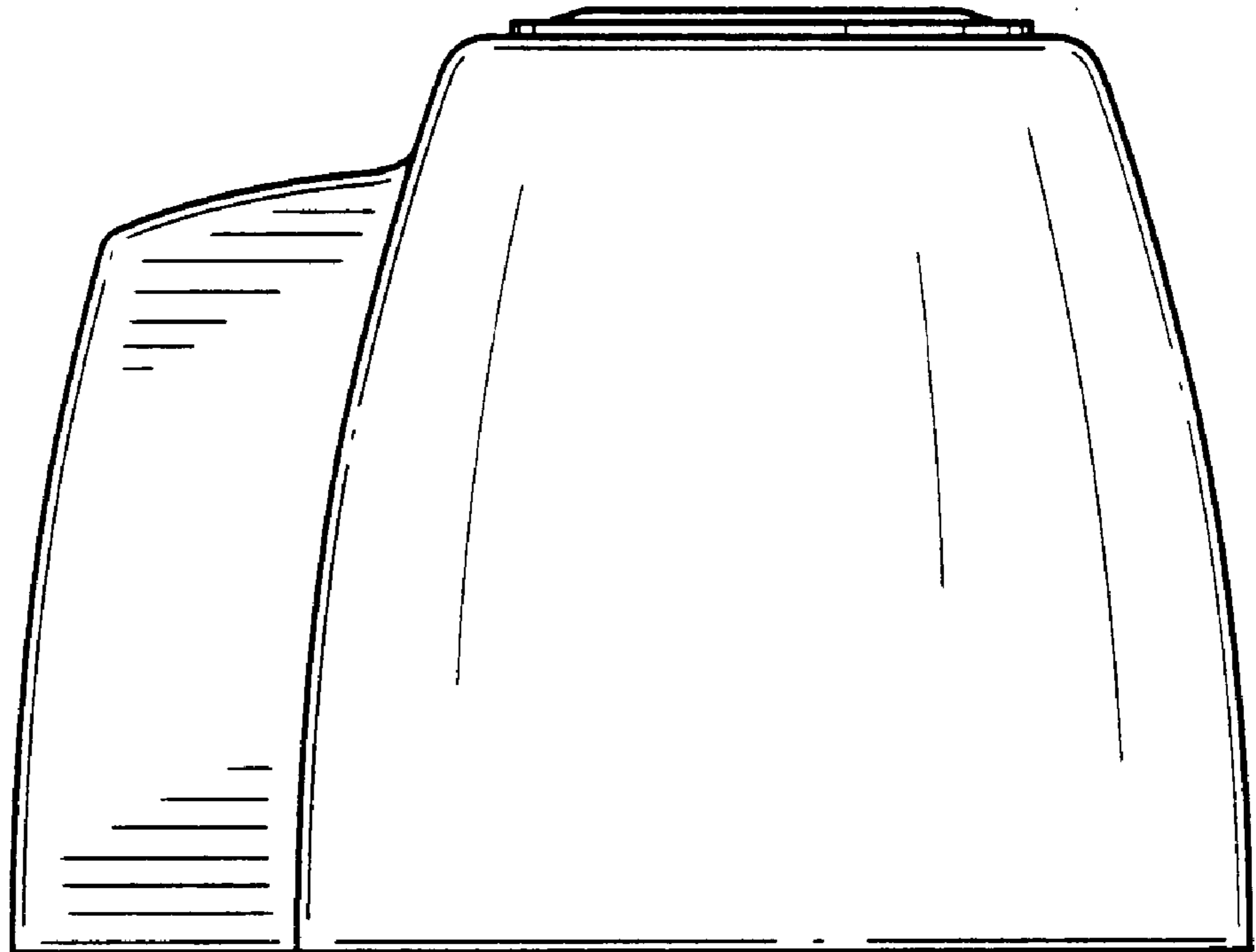


FIG-4

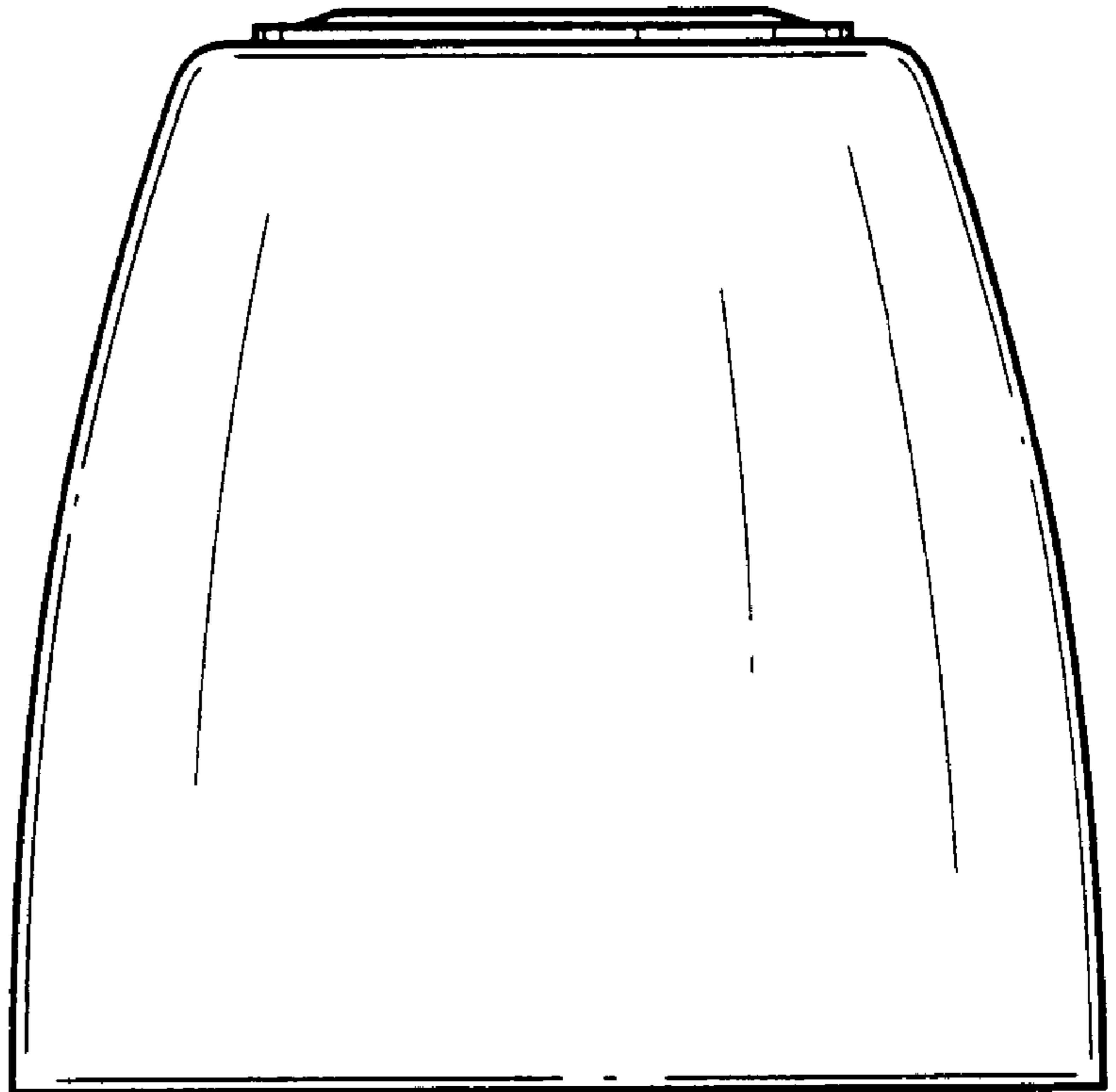


FIG-5

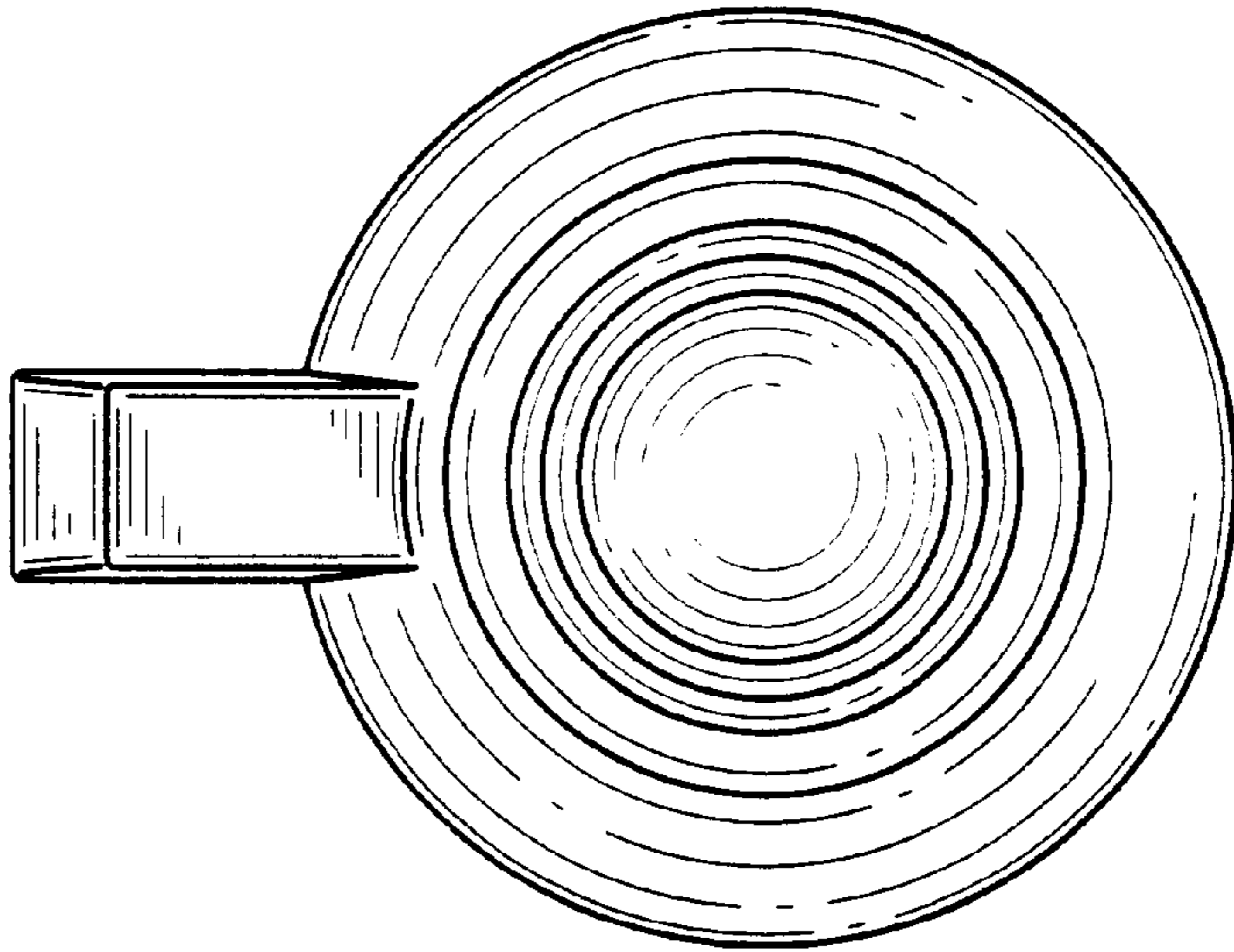


FIG-6

