



US00D428638S

United States Patent [19]

Tucker et al.

[11] Patent Number: Des. 428,638

[45] Date of Patent: ** Jul. 25, 2000

[54] RIDE

[75] Inventors: **Robin George Tucker**, Hereford;
Graham Robert Bridges, Leominster,
both of United Kingdom

[73] Assignee: **Lancet Precision Engineering
Limited**, Hereford, United Kingdom

[**] Term: 14 Years

[21] Appl. No.: 29/099,066

[22] Filed: Jan. 12, 1999

[51] LOC (7) Cl. 21-03

[52] U.S. Cl. D21/830

[58] Field of Search D21/828-833,
D21/823; 472/45-47

[56] **References Cited**

U.S. PATENT DOCUMENTS

D. 159,220 7/1950 Nemiroff D21/829

D. 272,171 1/1984 Lankford D21/828
D. 289,541 4/1987 Forester D21/828
D. 315,775 3/1991 Jones D21/823
3,011,825 12/1961 Hannas D21/823 X
4,240,623 12/1980 Edwards D21/823 X

Primary Examiner—Mitchell Siegel
Attorney, Agent, or Firm—King and Schickli, PLLC

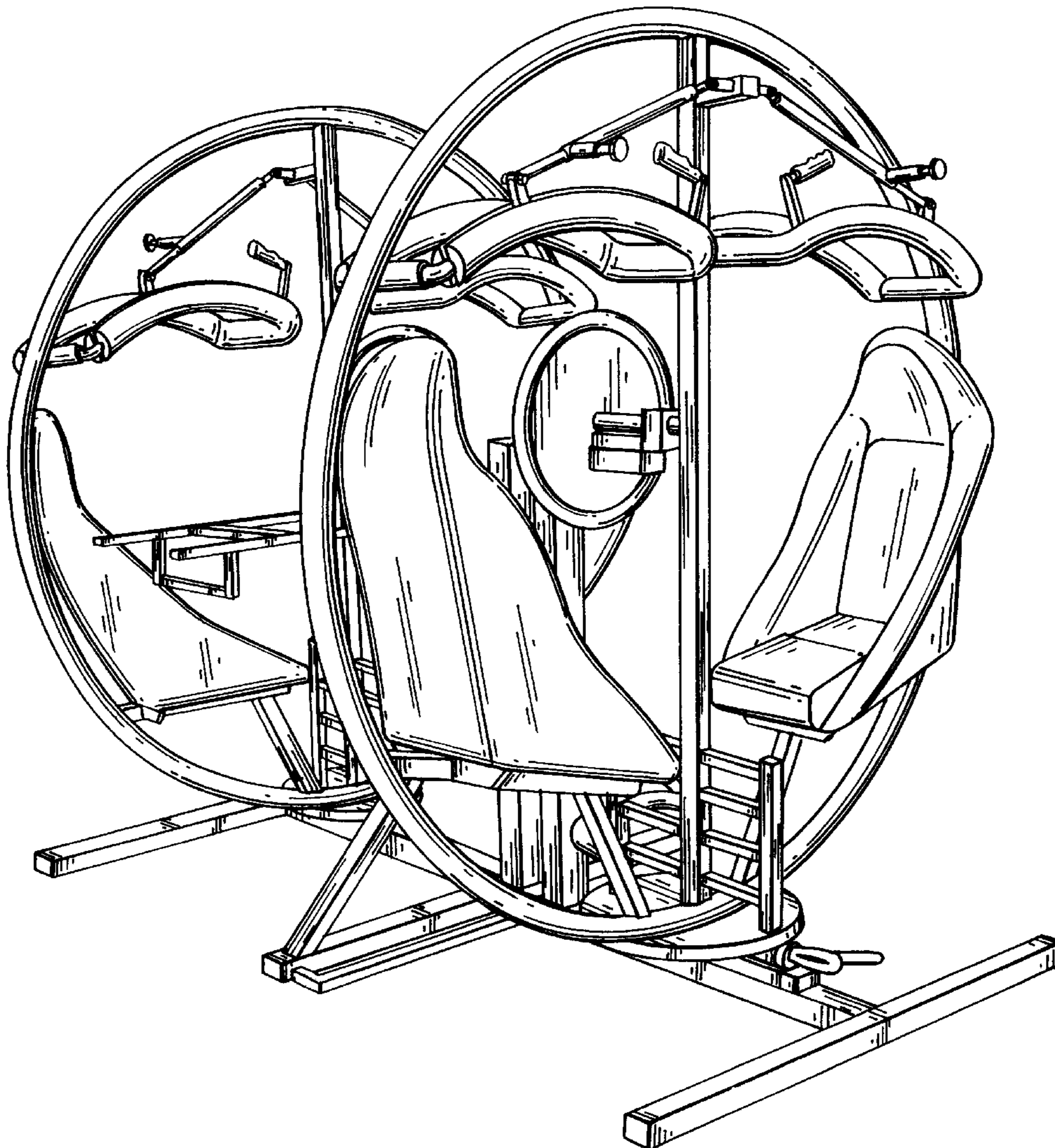
[57] **CLAIM**

The ornamental design for a ride, as shown.

DESCRIPTION

FIG. 1 is a view from the front and one side
FIG. 2 is an end view
FIG. 3 is a front view
FIG. 4 is a top plan view; and,
FIG. 5 is an underneath plan view.

1 Claim, 5 Drawing Sheets



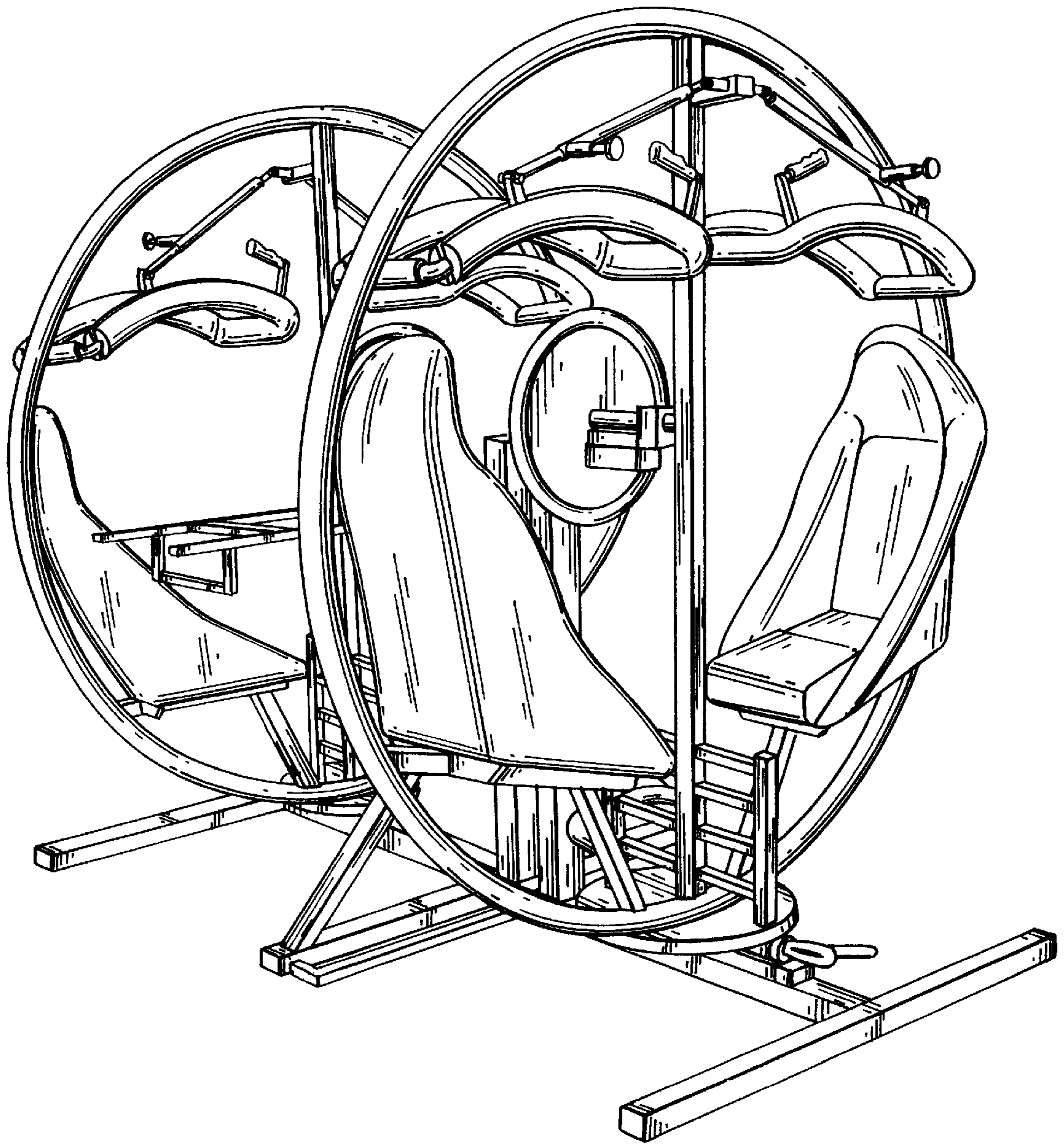


Fig. 1

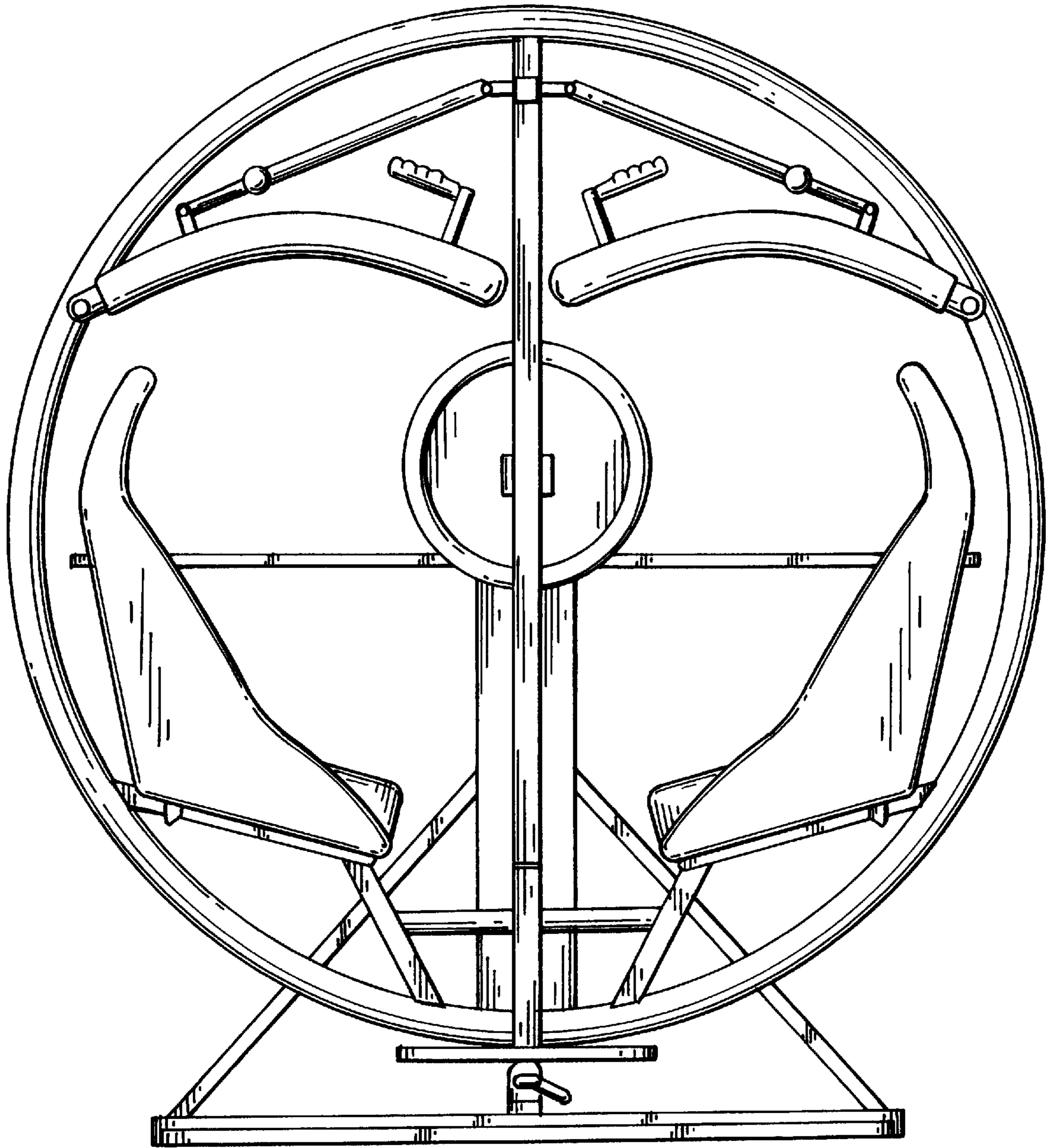


Fig. 2

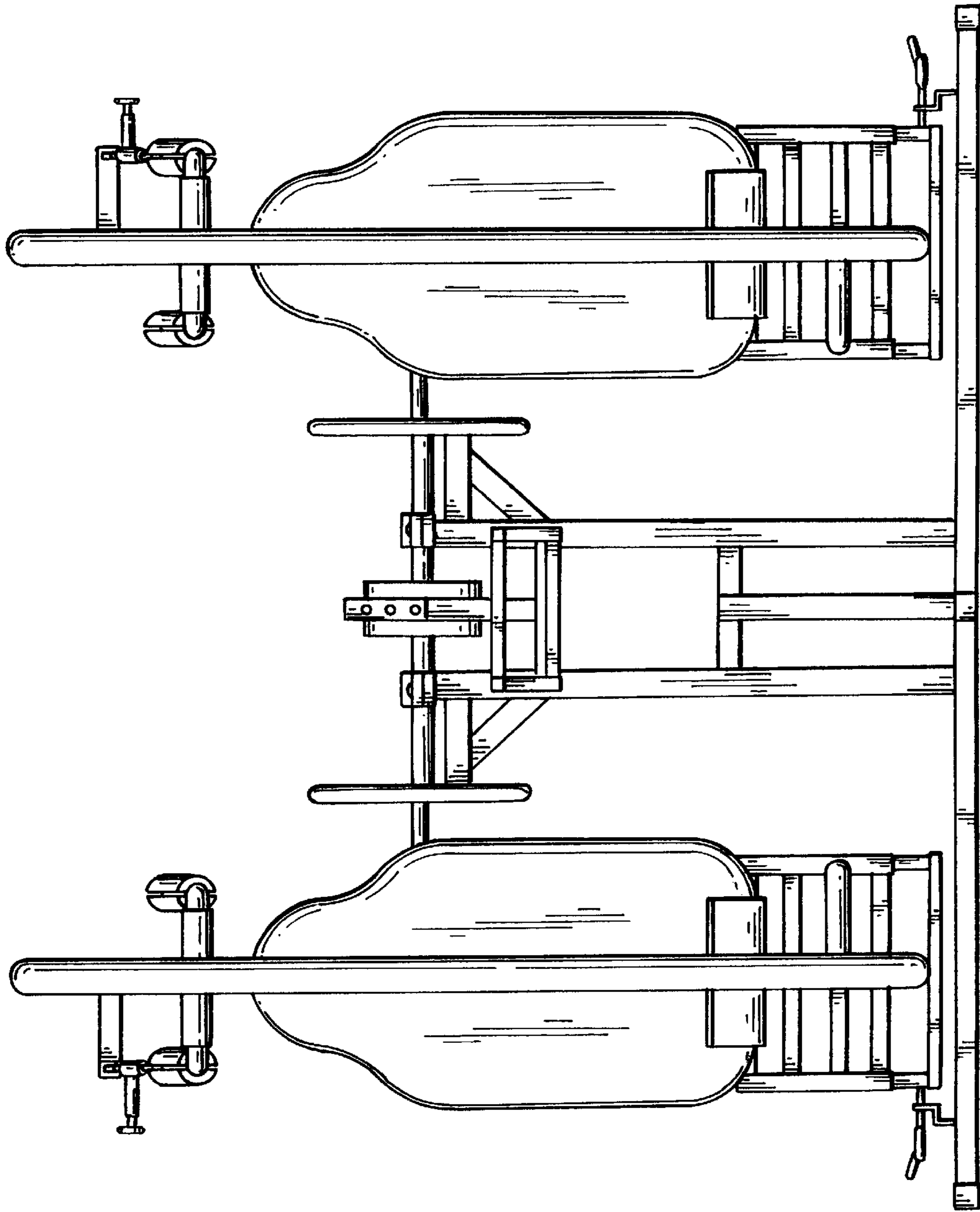


Fig. 3

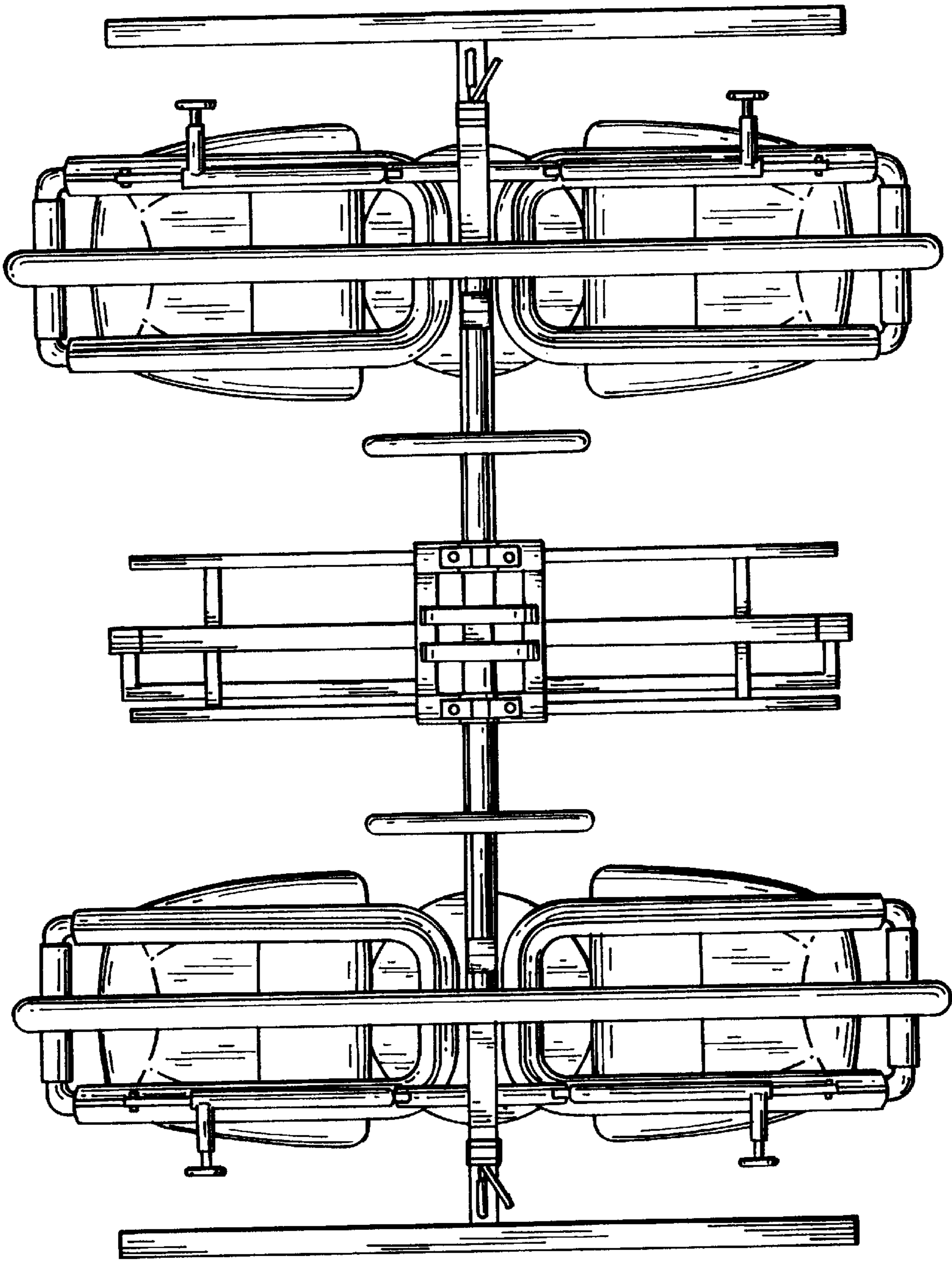


Fig. 4

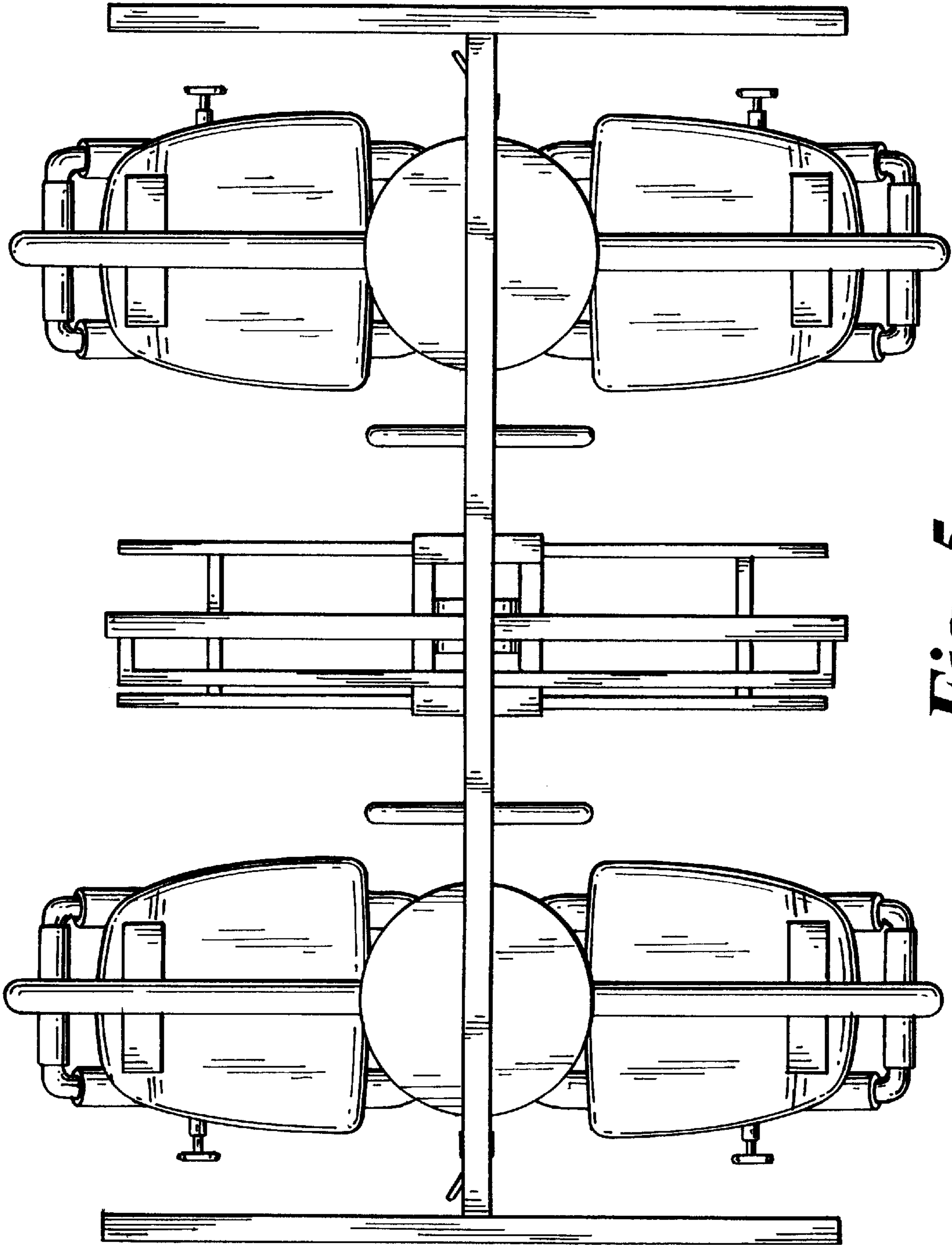


Fig. 5