



US00D428635S

# United States Patent [19]

[11] **Patent Number: Des. 428,635**

**Nagai et al.**

[45] **Date of Patent: \*\* Jul. 25, 2000**

[54] **RECESSED BACK PORTION OF A GOLF CLUB HEAD**

[75] Inventors: **Masao Nagai**, Dunwoody, Ga.; **Toshi Nagasaki**, Osaka, Japan; **David Llewellyn**, Norcross, Ga.

[73] Assignee: **Mizuno Corporation**, Osaka, Japan

[\*\*] Term: **14 Years**

[21] Appl. No.: **29/108,787**

[22] Filed: **Jul. 30, 1999**

[51] **LOC (7) Cl.** ..... **21-02**

[52] **U.S. Cl.** ..... **D21/759**

[58] **Field of Search** ..... D21/747, 751, D21/753, 759; 473/324, 350

[56] **References Cited**

**U.S. PATENT DOCUMENTS**

D. 377,381	1/1997	Takahashi	.....	D21/748
D. 379,485	5/1997	Ragano	.....	D21/749
D. 383,819	9/1997	Takahashi et al.	.....	D21/749
D. 383,820	9/1997	Watanabe	.....	D21/749
D. 386,549	11/1997	Takahashi et al.	.....	D21/748

*Primary Examiner*—Mitchell Siegel  
*Attorney, Agent, or Firm*—Gerald R. Boss, Esq.; Troutman Sanders LLP

[57] **CLAIM**

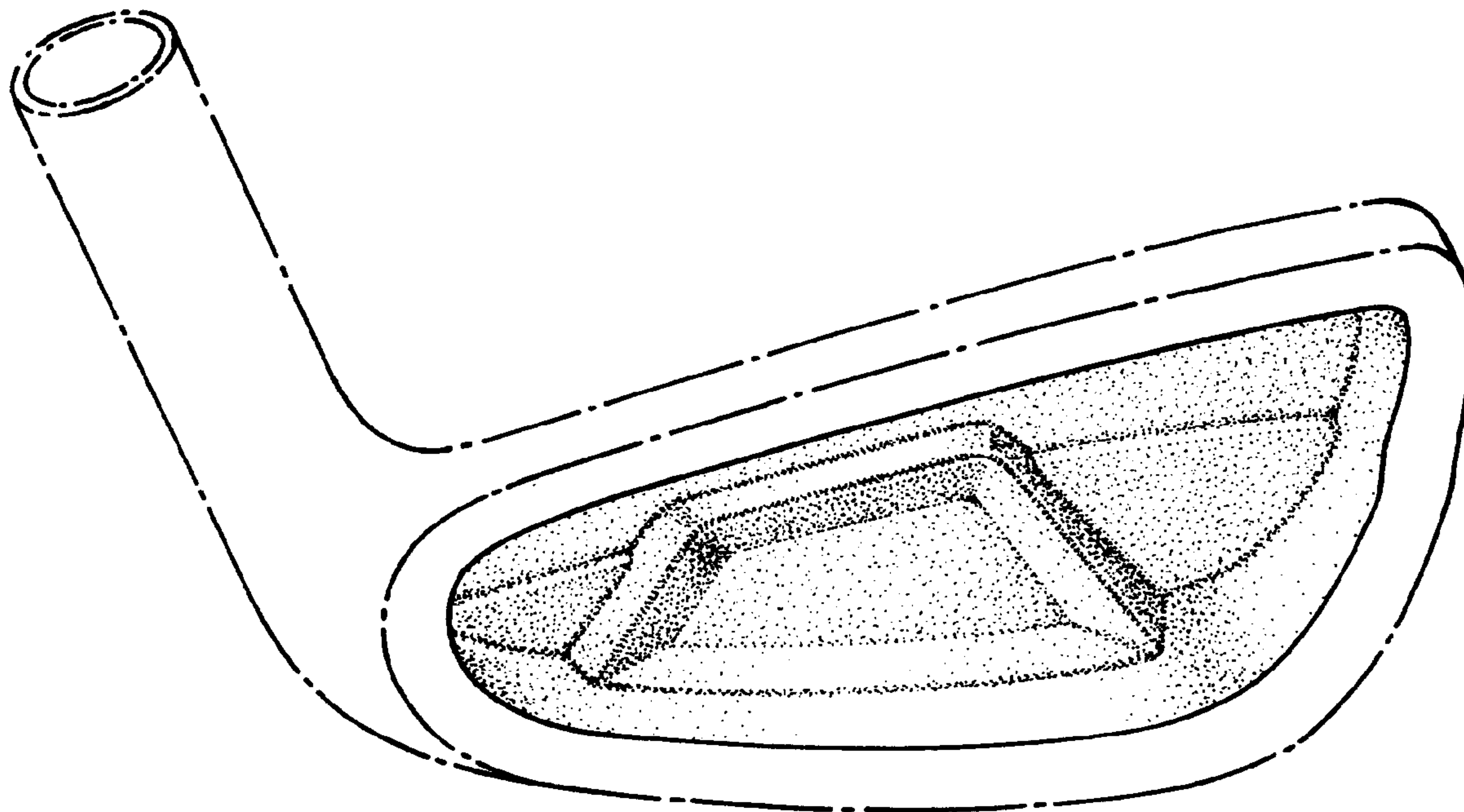
The ornamental design for a recessed back portion of a golf club head, as shown and described.

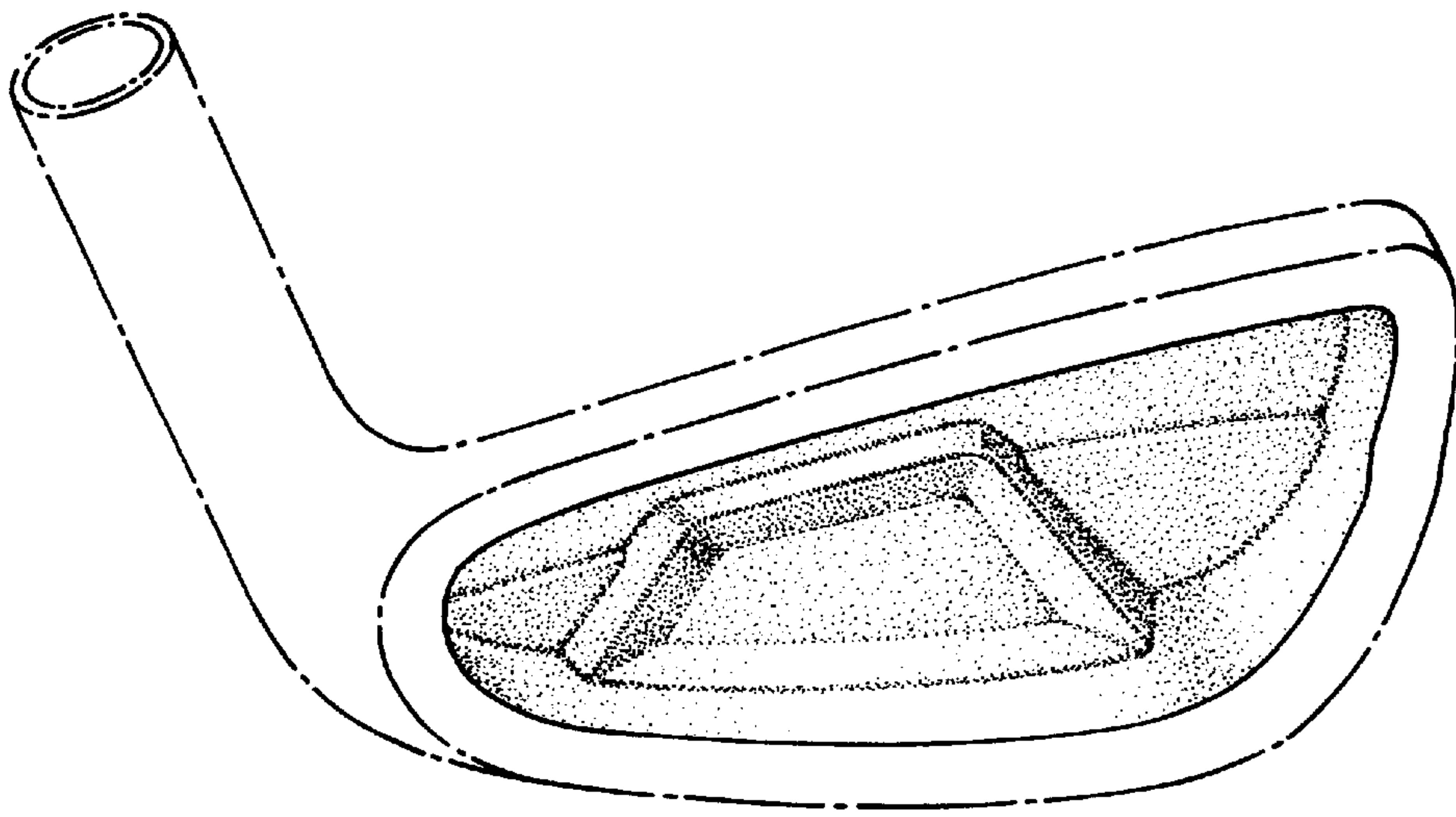
**DESCRIPTION**

FIG. 1 is a perspective view of a recessed back portion of a golf club head showing my new design;  
FIG. 2 is an elevational view thereof;  
FIG. 3 is a top plan view thereof;  
FIG. 4 is a cross-sectional view taken along lines 4—4 in FIG. 2;  
FIG. 5 is a cross-sectional view taken along lines 5—5 in FIG. 2;  
FIG. 6 is a cross-sectional view taken along lines 6—6 in FIG. 2; and,  
FIG. 7 is a cross-sectional view taken along lines 7—7 in FIG. 2.

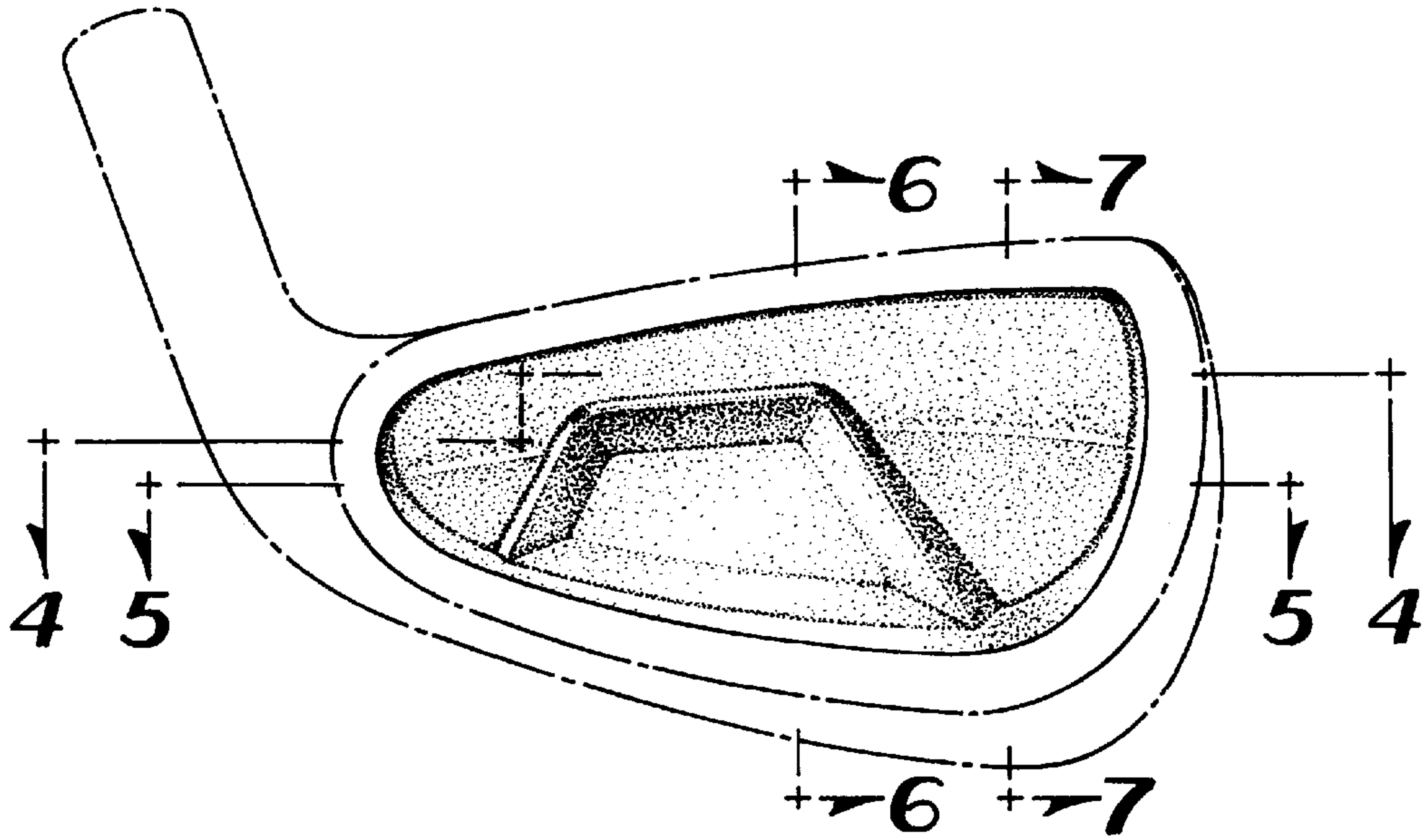
The broken line showing of a golf club head is for illustrative purposes only and forms no part of the claimed design.

**1 Claim, 2 Drawing Sheets**

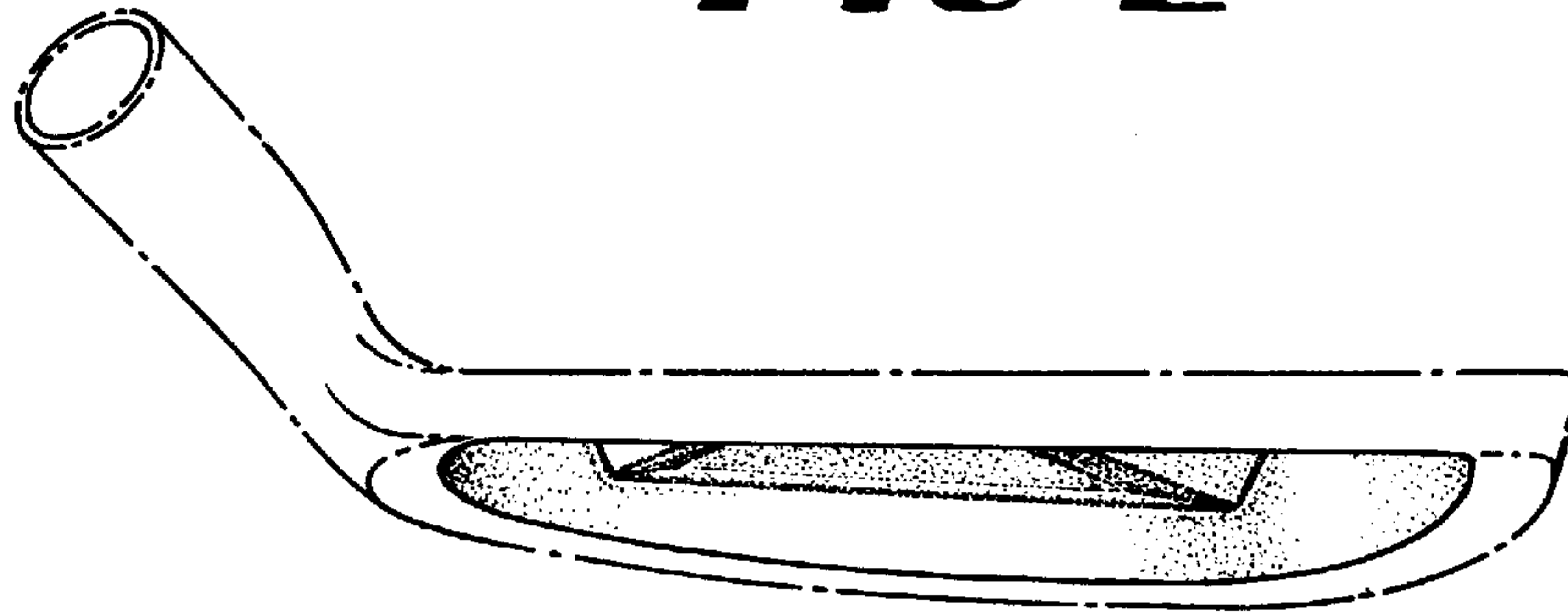




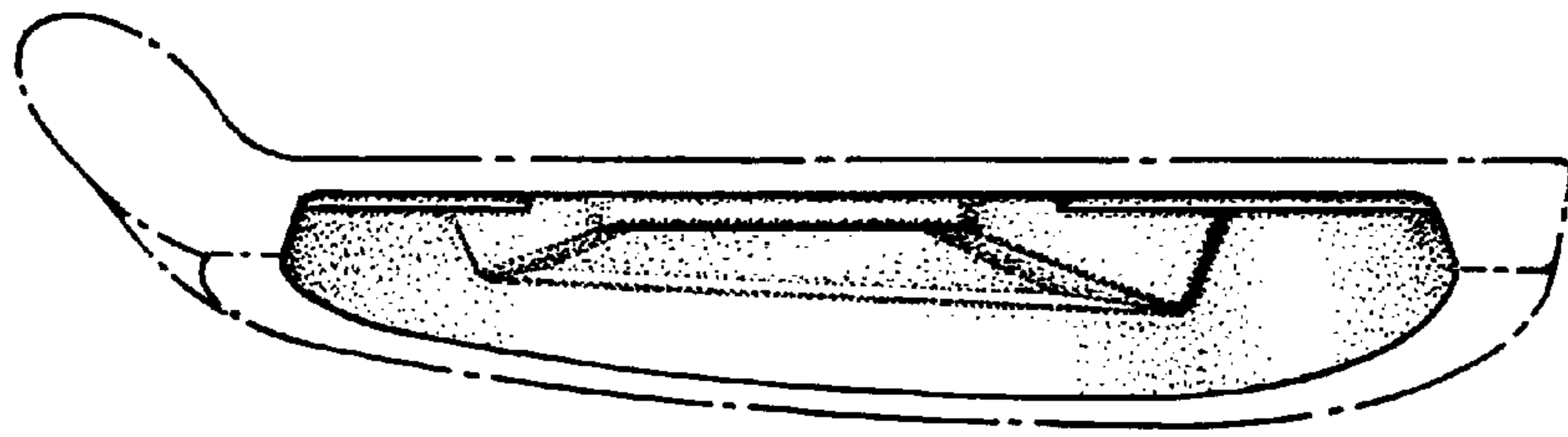
**FIG 1**



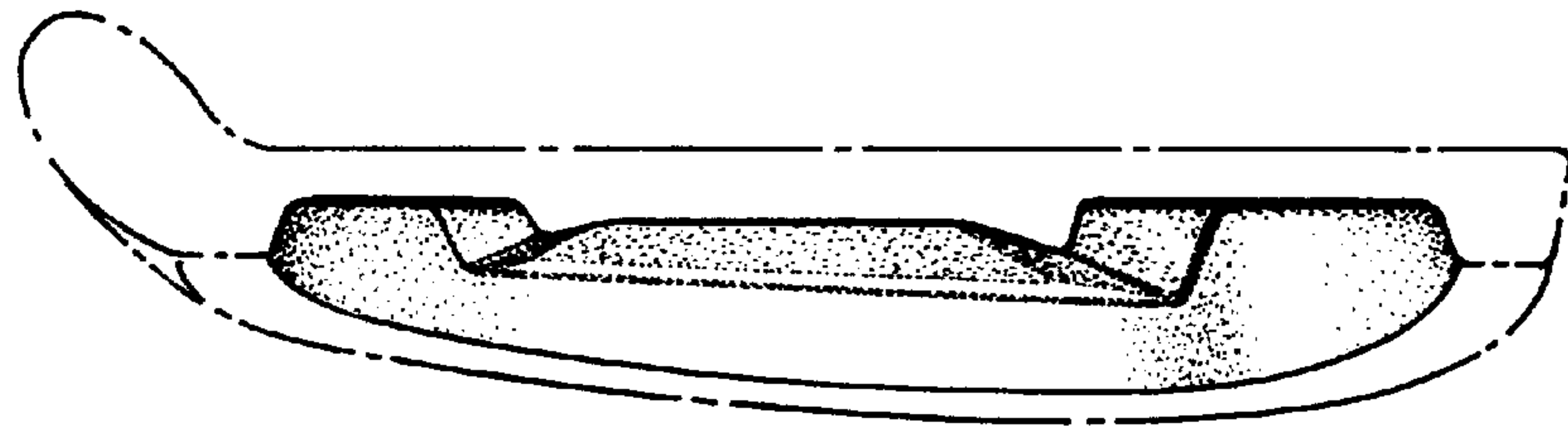
**FIG 2**



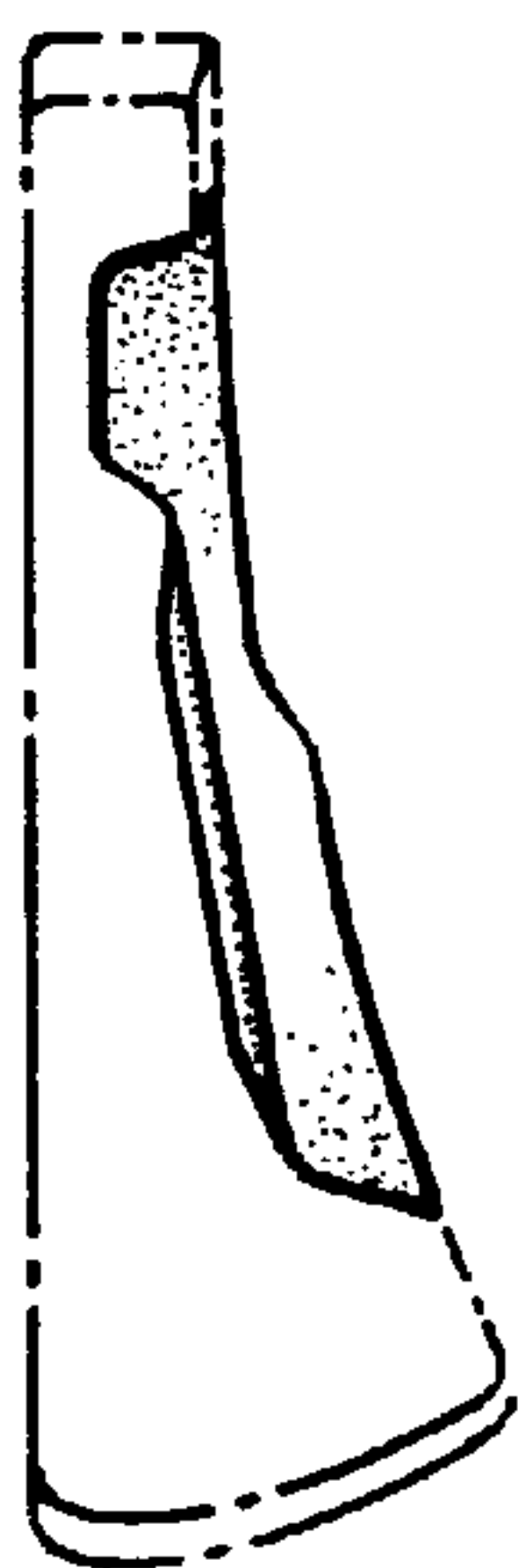
**FIG 3**



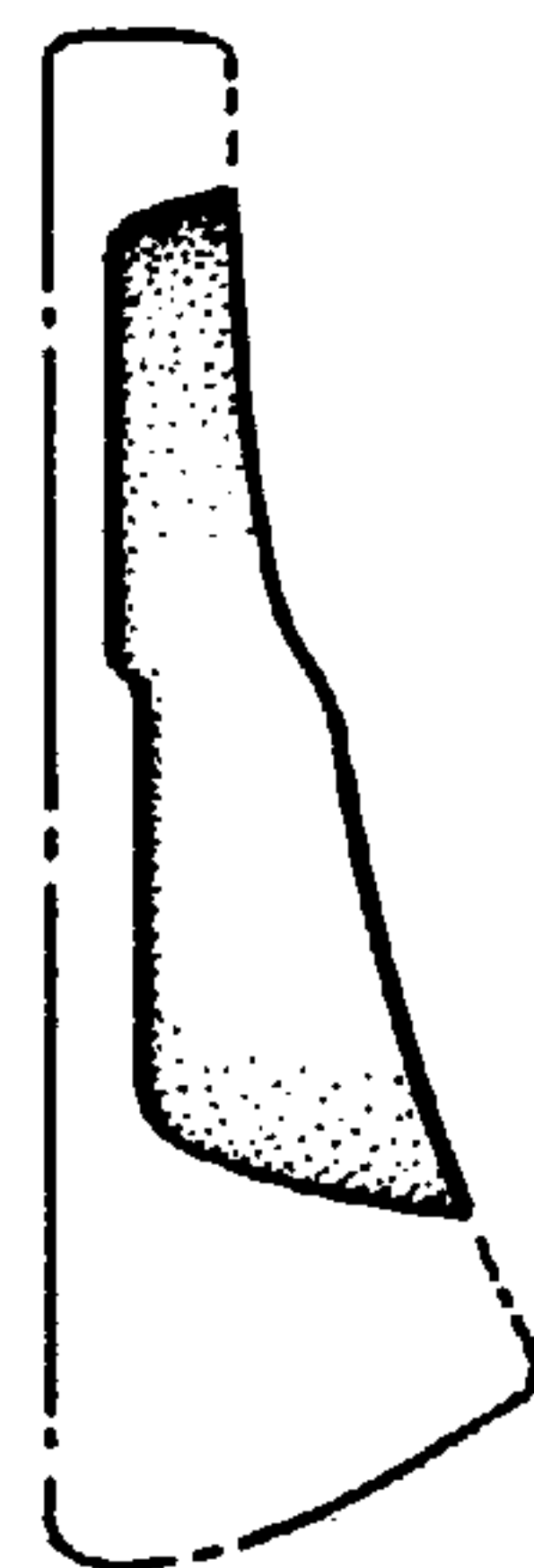
**FIG 4**



**FIG 5**



**FIG 6**



**FIG 7**