



US00D428632S

United States Patent [19]

[11] **Patent Number: Des. 428,632**

Besnard et al.

[45] **Date of Patent: ** Jul. 25, 2000**

[54] **GOLF CLUB SET**

[75] Inventors: **Philippe Besnard**, Oceanside; **Michael R. Peters**, Vista; **Bret Wahl**; **Sandy Suchor**, both of Carlsbad; **John Tucker**, Agua Dulce, all of Calif.

[73] Assignee: **Taylor Made Golf Company, Inc.**, Carlsbad, Calif.

[**] Term: **14 Years**

[21] Appl. No.: **29/099,166**

[22] Filed: **Jan. 14, 1999**

[51] **LOC (7) Cl. 21-02**

[52] **U.S. Cl. D21/748**

[58] **Field of Search D21/747-751;**
473/350, 324, 327, 328, 330, 331, 287-292

[56] **References Cited**

U.S. PATENT DOCUMENTS

D. 336,672	6/1993	Gorman	D21/748
D. 398,355	9/1998	Chou et al.	D21/748
4,231,576	11/1980	Perkins	473/350
4,645,207	2/1987	Teramoto et al. .	
4,715,601	12/1987	Lamanna .	
5,160,136	11/1992	Eger .	
5,242,167	9/1993	Antonious	473/350
5,333,872	8/1994	Manning et al. .	
5,413,336	5/1995	Iwanaga .	
5,447,307	9/1995	Antonious	473/350
5,480,145	1/1996	Sherwood .	
5,658,209	8/1997	Blakemore .	
5,800,281	9/1998	Gilbert	473/287
5,885,166	3/1999	Shiraishi	473/291
5,890,971	4/1999	Shiraishi	473/291
5,976,029	11/1999	Sherwood	473/291
6,027,415	2/2000	Takeda	473/350

FOREIGN PATENT DOCUMENTS

2 316 011 2/1998 United Kingdom .

OTHER PUBLICATIONS

Nicklaus Golf Equipment, 1998 Product Catalog, 2 pages.

Primary Examiner—Mitchell Siegel
Attorney, Agent, or Firm—Knobbe, Martens, Olson and Bear, LLP

[57] **CLAIM**

The ornamental design for a golf club set, as shown and described.

DESCRIPTION

FIG. 1 is a rear perspective view of a first golf club of a golf club set of the present invention;
 FIG. 2 is a front perspective view thereof;
 FIG. 3 is a top plan thereof;
 FIG. 4 is a front elevational view thereof;
 FIG. 5 is a bottom plan view thereof;
 FIG. 6 is a left-side elevational view thereof;
 FIG. 7 is a right-side elevational view thereof;
 FIG. 8 is a rear perspective view of a second golf club of the golf club set;
 FIG. 9 is a front perspective view thereof;
 FIG. 10 is a top plan thereof;
 FIG. 11 is a front elevational view thereof;
 FIG. 12 is a bottom plan view thereof;
 FIG. 13 is a left-side elevational view thereof;
 FIG. 14 is a right-side elevational view thereof;
 FIG. 15 is a rear perspective view of a third golf club of the golf club set of;
 FIG. 16 is a front perspective view thereof;
 FIG. 17 is a top plan thereof;
 FIG. 18 is a front elevational view thereof;
 FIG. 19 is a bottom plan view thereof;
 FIG. 20 is a left-side elevational view thereof;
 FIG. 21 is a right-side elevational view thereof;
 FIG. 22 is a rear perspective view of a fourth golf club of the golf club set;
 FIG. 23 is a front perspective view thereof;
 FIG. 24 is a top plan thereof;
 FIG. 25 is a front elevational view thereof;
 FIG. 26 is a bottom plan view thereof;
 FIG. 27 is a left-side elevational view thereof;
 FIG. 28 is a right-side elevational view thereof;
 FIG. 29 is a rear perspective view of a fifth golf club of the golf club set;
 FIG. 30 is a front perspective view thereof;
 FIG. 31 is a top plan thereof;
 FIG. 32 is a front elevational view thereof;

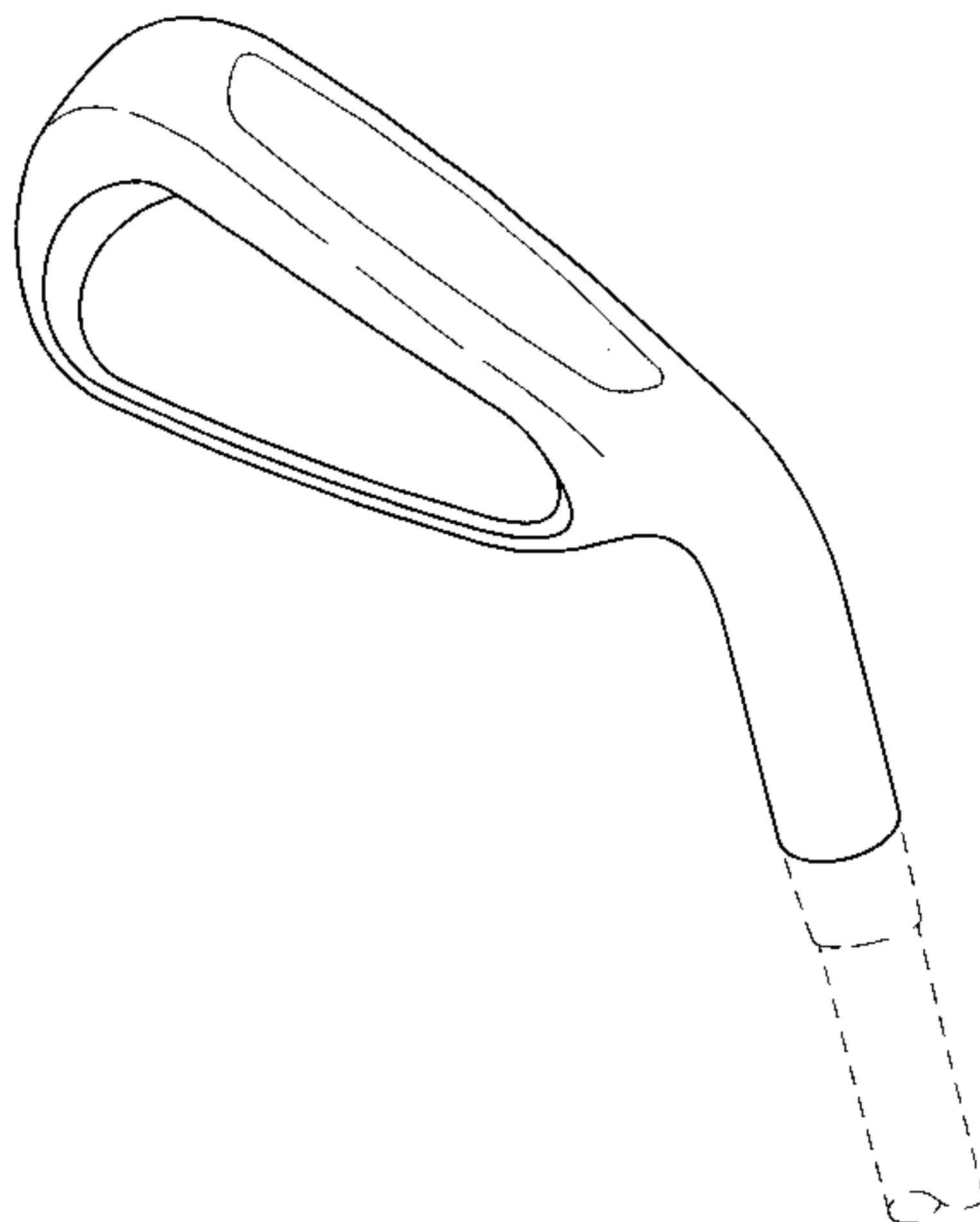


FIG. 33 is a bottom plan view thereof;
FIG. 34 is a left-side elevational view thereof;
FIG. 35 is a right-side elevational view thereof;
FIG. 36 is a rear perspective view of a sixth golf club of the golf club set;
FIG. 37 is a front perspective view thereof;
FIG. 38 is a top plan thereof;
FIG. 39 is a front elevational view thereof;
FIG. 40 is a bottom plan view thereof;
FIG. 41 is a left-side elevational view thereof;
FIG. 42 is a right-side elevational view thereof;
FIG. 43 is a rear perspective view of a seventh golf club of the golf club set;
FIG. 44 is a front perspective view thereof;
FIG. 45 is a top plan thereof;
FIG. 46 is a front elevational view thereof;
FIG. 47 is a bottom plan view thereof;
FIG. 48 is a left-side elevational view thereof;
FIG. 49 is a right-side elevational view thereof;
FIG. 50 is a rear perspective view of an eighth golf club of the golf set;
FIG. 51 is a front perspective view thereof;
FIG. 52 is a top plan view thereof;
FIG. 53 is a front elevational view thereof;
FIG. 54 is a bottom plan view thereof;
FIG. 55 is a left-side elevational view thereof;
FIG. 56 is a right-side elevational view thereof;
FIG. 57 is a rear perspective view of another embodiment of the first golf club of the golf club set;
FIG. 58 is a front perspective view thereof;
FIG. 59 is a top plan thereof;
FIG. 60 is a front elevational view thereof;
FIG. 61 is a bottom plan view thereof;
FIG. 62 is a left-side elevational view thereof;
FIG. 63 is a right-side elevational view thereof;
FIG. 64 is a rear perspective view of another embodiment of the second golf club set;
FIG. 65 is a front perspective view thereof;
FIG. 66 is a top plan thereof;
FIG. 67 is a front elevational view thereof;
FIG. 68 is a bottom plan view thereof;
FIG. 69 is a left-side elevational view thereof;
FIG. 70 is a right-side elevational view thereof;
FIG. 71 is a rear perspective view of another embodiment of the third golf club of the golf club set;
FIG. 72 is a front perspective view thereof;
FIG. 73 is a top plan thereof;
FIG. 74 is a front elevational view thereof;
FIG. 75 is a bottom plan view thereof;
FIG. 76 is a left-side elevational view thereof;
FIG. 77 is a right-side elevational view thereof;
FIG. 78 is a rear perspective view of another embodiment of the fourth golf club of the golf club set;
FIG. 79 is a front perspective view thereof;
FIG. 80 is a top plan thereof;
FIG. 81 is a front elevational view thereof;
FIG. 82 is a bottom plan view thereof;
FIG. 83 is a left-side elevational view thereof;
FIG. 84 is a right-side elevational view thereof;
FIG. 85 is a rear perspective view of another embodiment of the fifth golf club of the golf club set;
FIG. 86 is a front perspective view thereof;
FIG. 87 is a top plan thereof;
FIG. 88 is a front elevational view thereof;
FIG. 89 is a bottom plan view thereof;
FIG. 90 is a left-side elevational view thereof;
FIG. 91 is a right-side elevational view thereof;
FIG. 92 is a rear perspective view of another embodiment of the sixth golf club of the golf club set;
FIG. 93 is a front perspective view thereof;
FIG. 94 is a top plan thereof;
FIG. 95 is a front elevational view thereof;
FIG. 96 is a bottom plan view thereof;
FIG. 97 is a left-side elevational view thereof;
FIG. 98 is a right-side elevational view thereof;
FIG. 99 is a rear perspective view of another embodiment of the seventh golf club of the golf club set;
FIG. 100 is a front perspective view thereof;
FIG. 101 is a top plan thereof;
FIG. 102 is a front elevational view thereof;
FIG. 103 is a bottom plan view thereof;
FIG. 104 is a left-side elevational view thereof;
FIG. 105 is a right-side elevational view thereof;
FIG. 106 is a rear perspective view of another embodiment of the eighth golf club of the golf club set;
FIG. 107 is a front perspective view thereof;
FIG. 108 is a top plan thereof;
FIG. 109 is a front elevational view thereof;
FIG. 110 is a bottom plan view thereof;
FIG. 111 is a left-side elevational view thereof; and,
FIG. 112 is a right-side elevational view thereof.

1 Claim, 32 Drawing Sheets

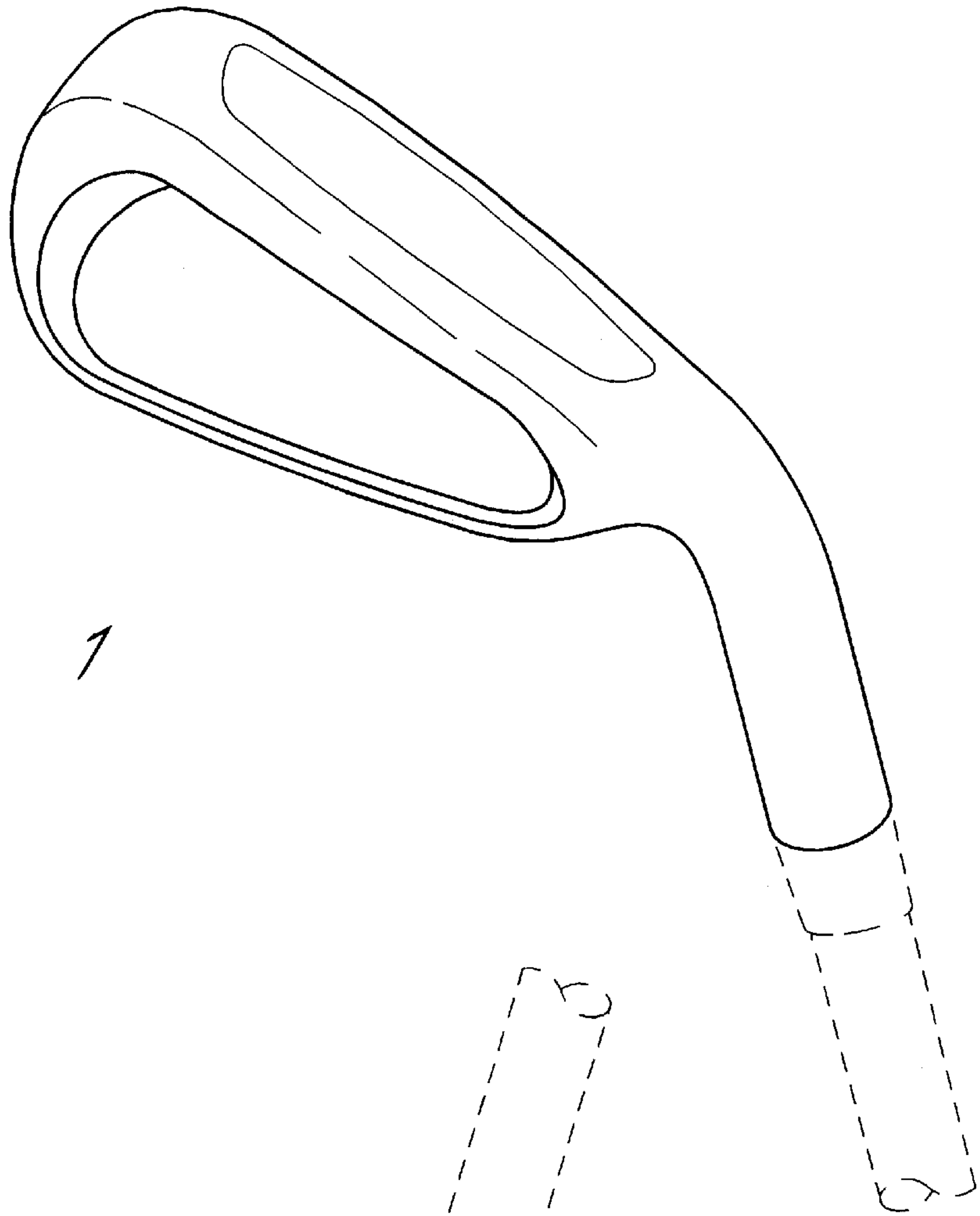


FIG. 1

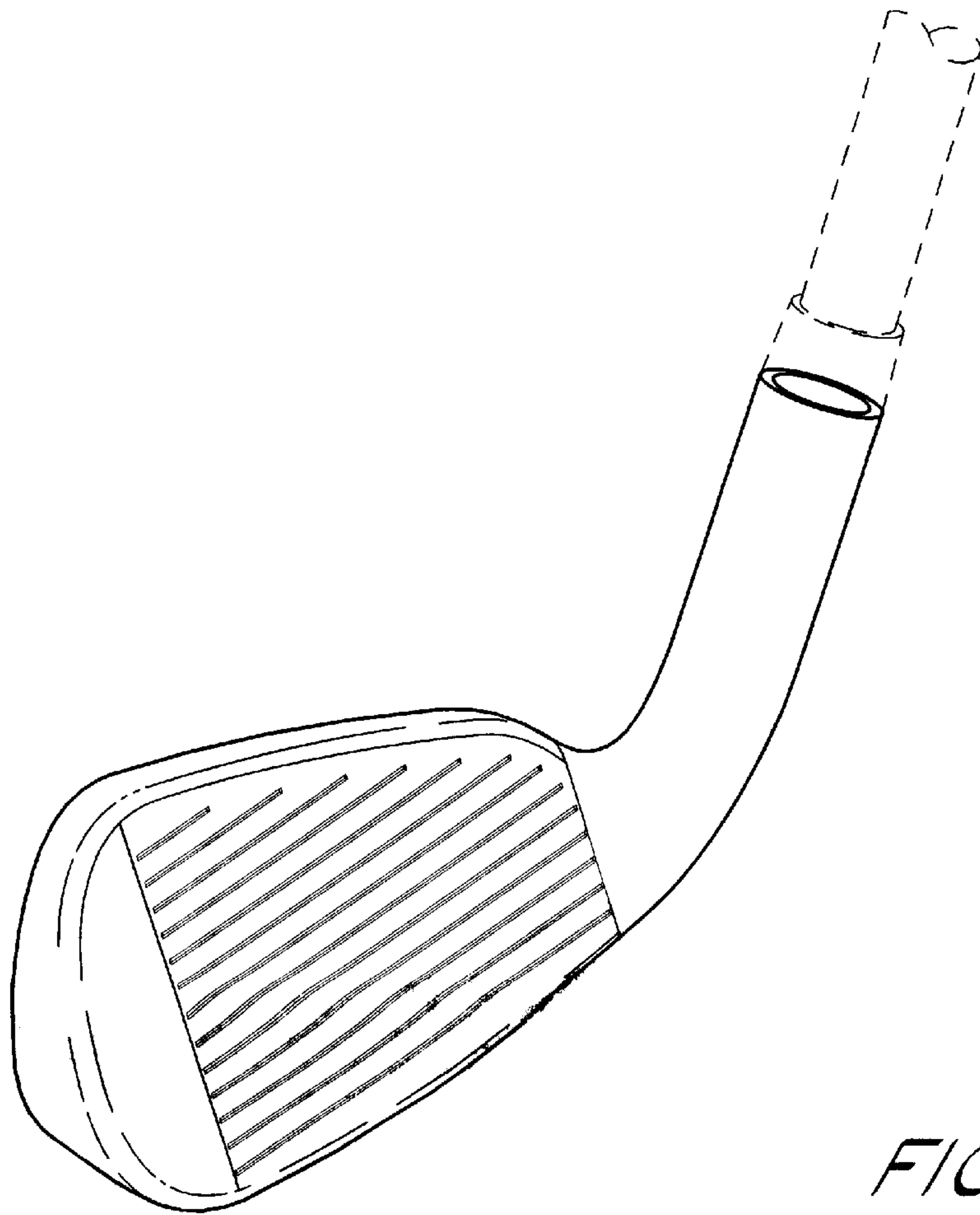


FIG. 2

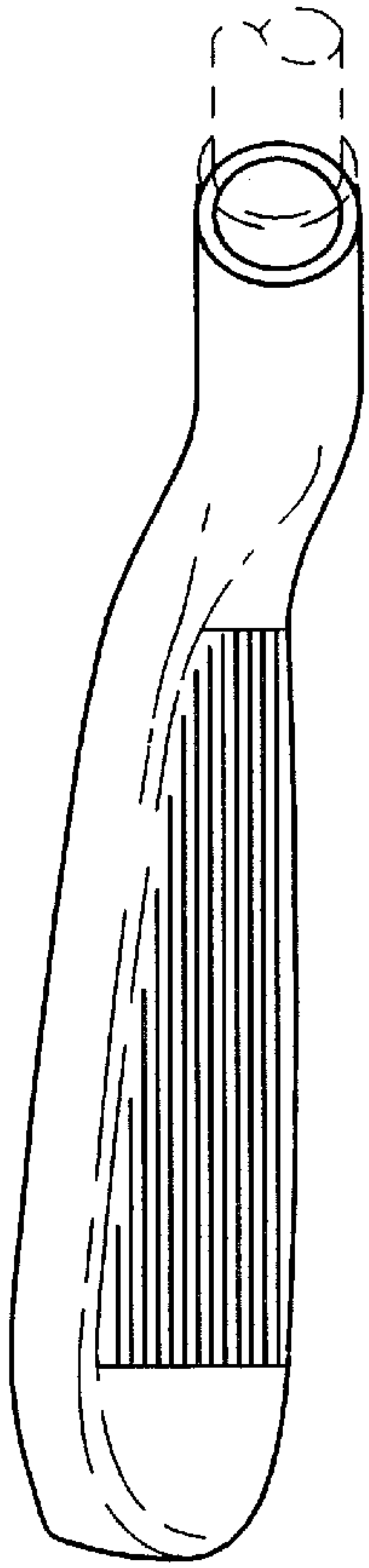


FIG. 3

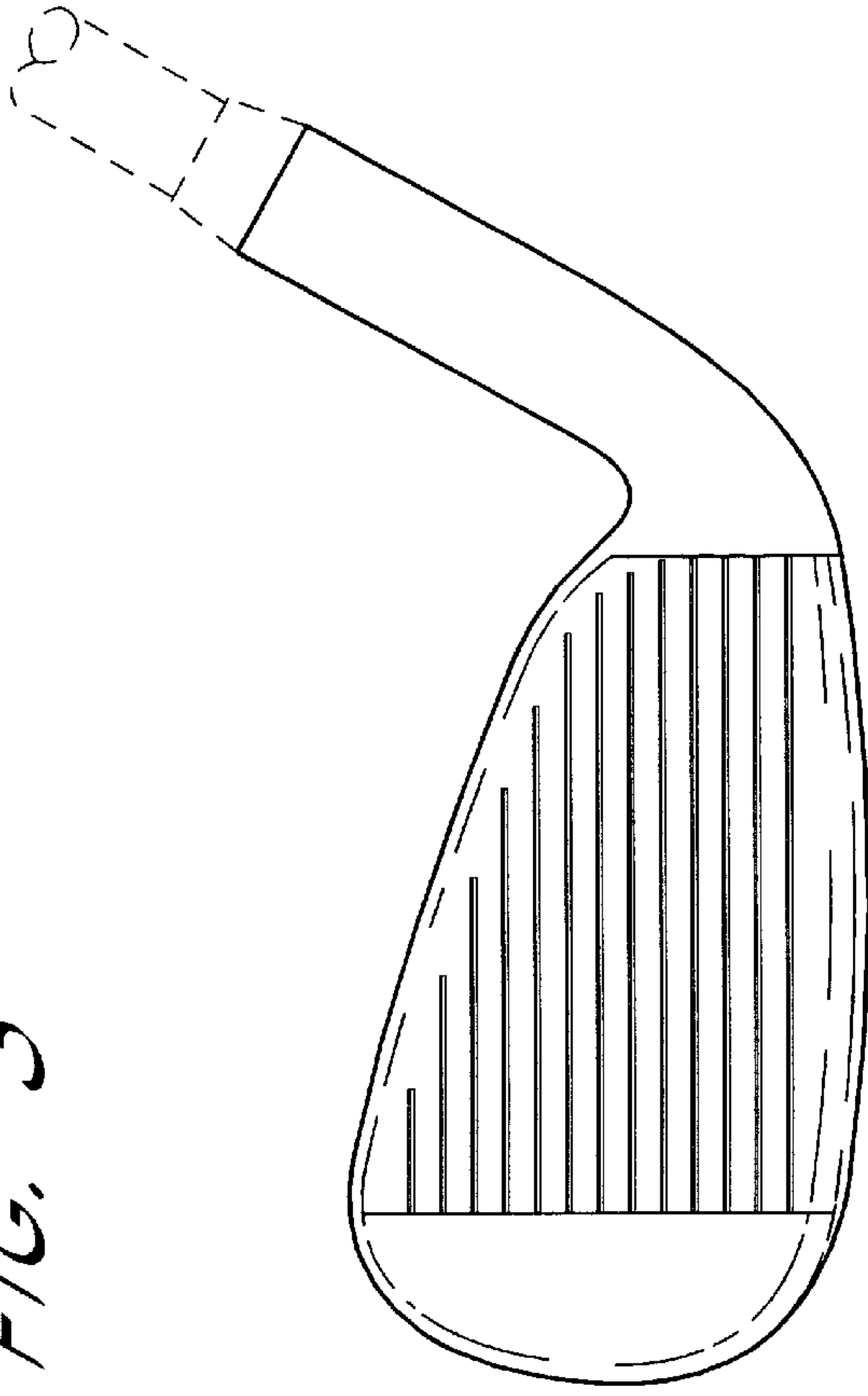


FIG. 4

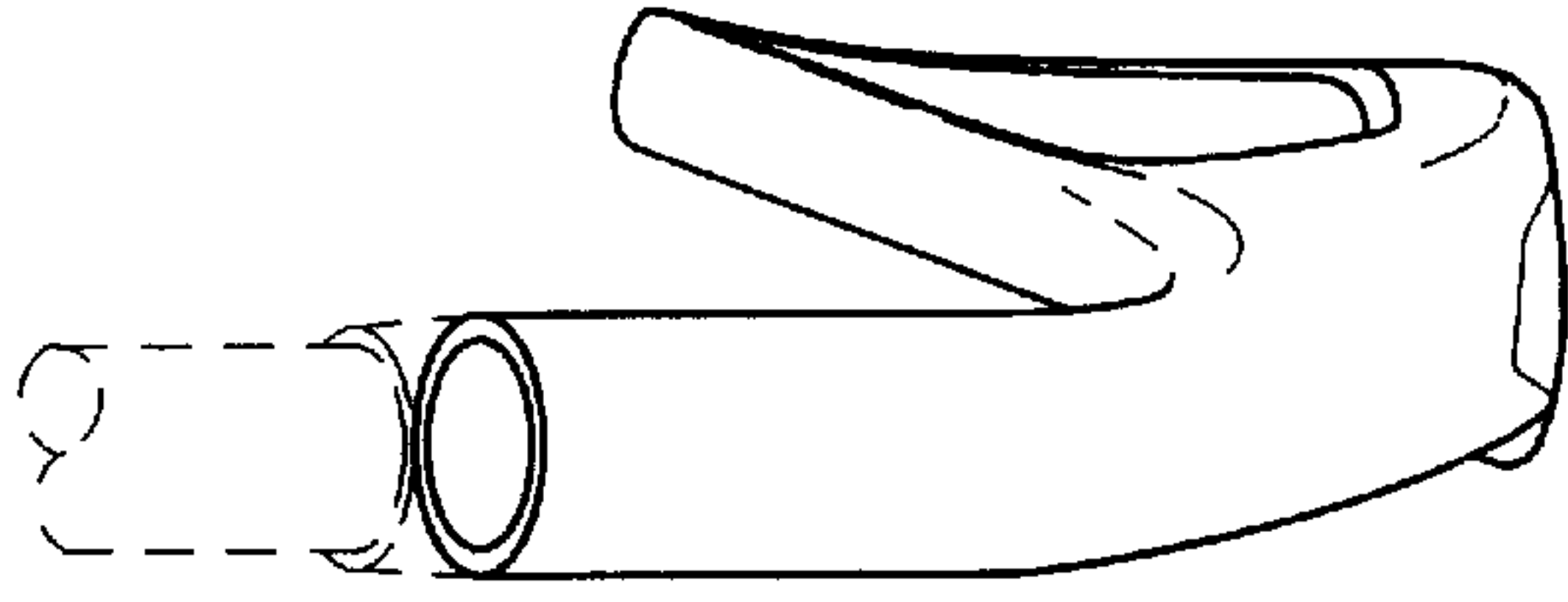


FIG. 7

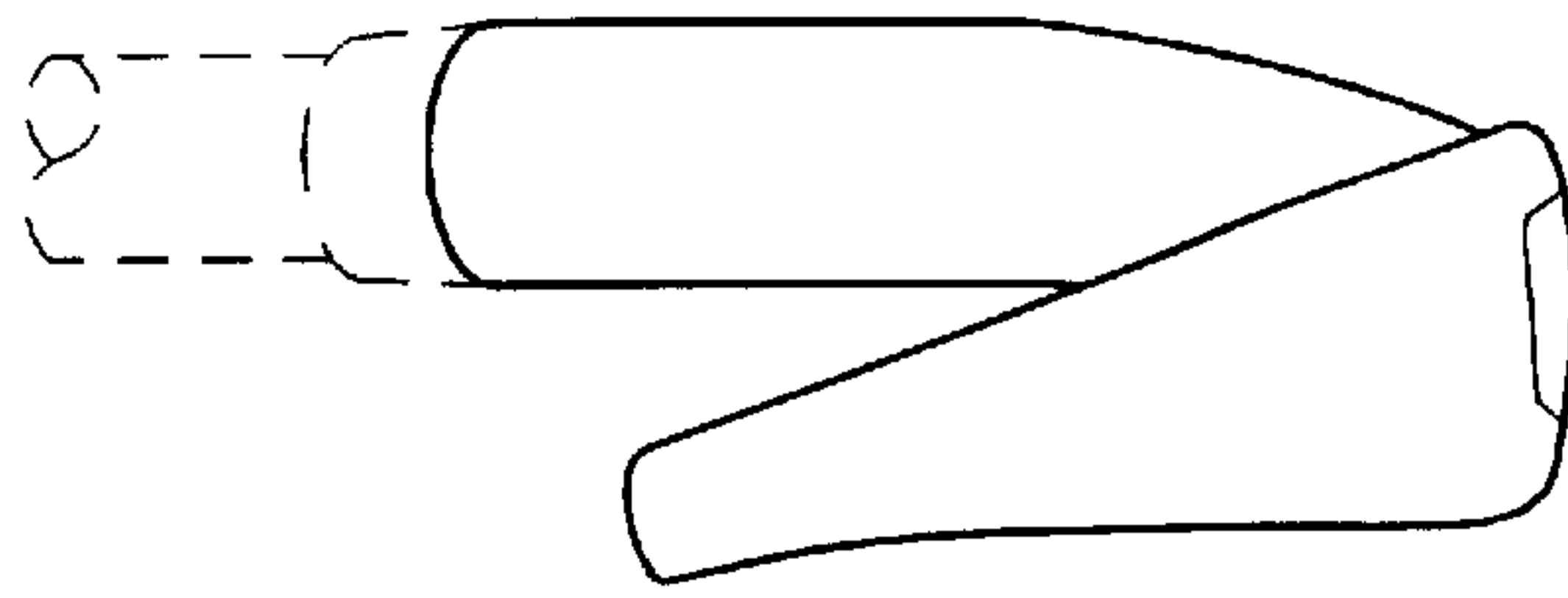


FIG. 6

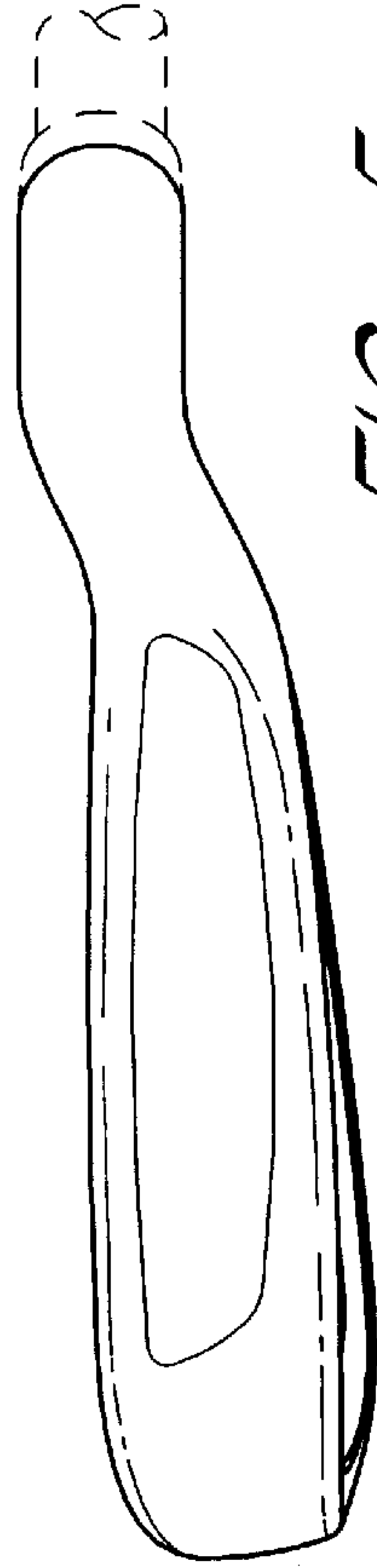


FIG. 5

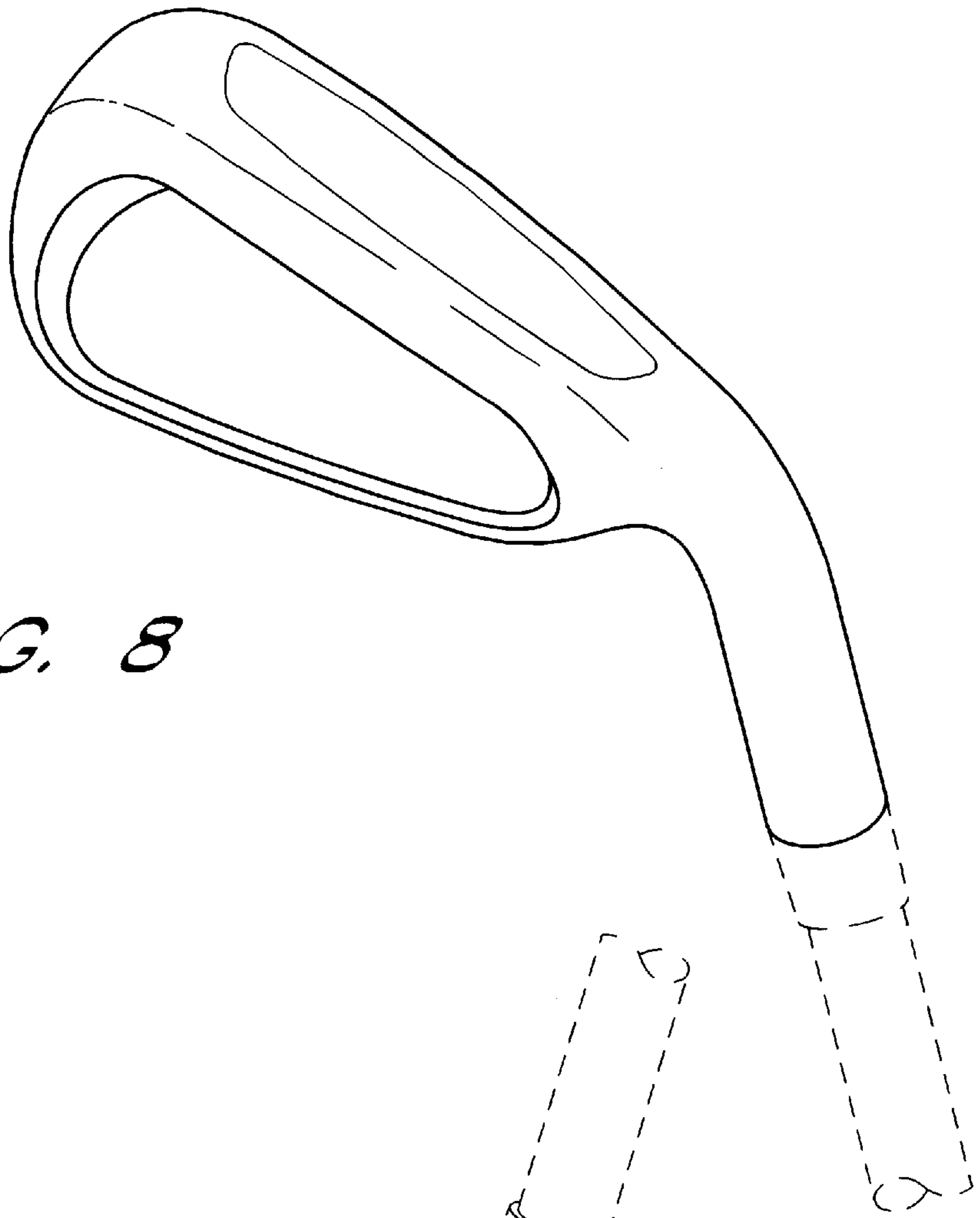


FIG. 8

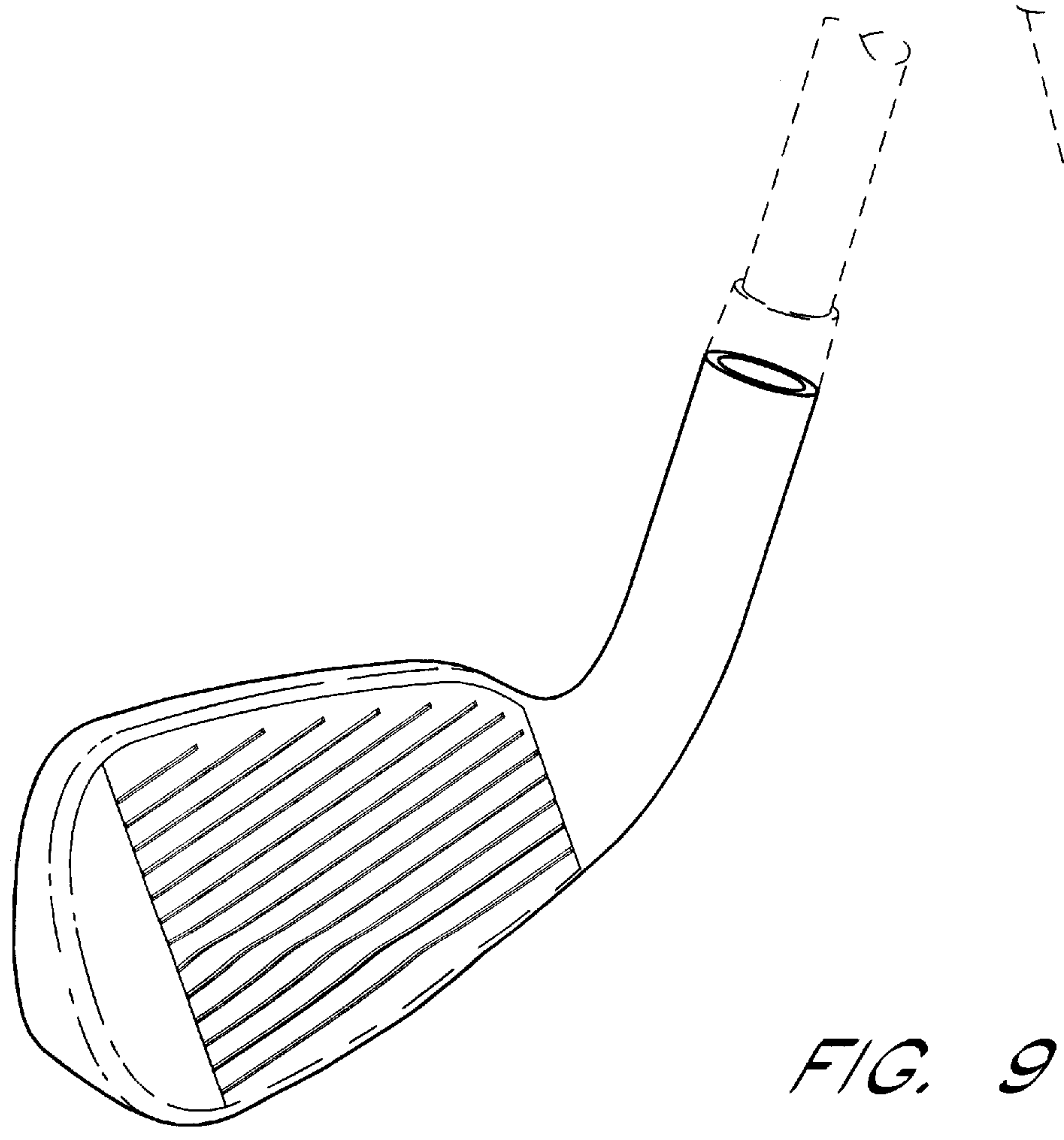


FIG. 9

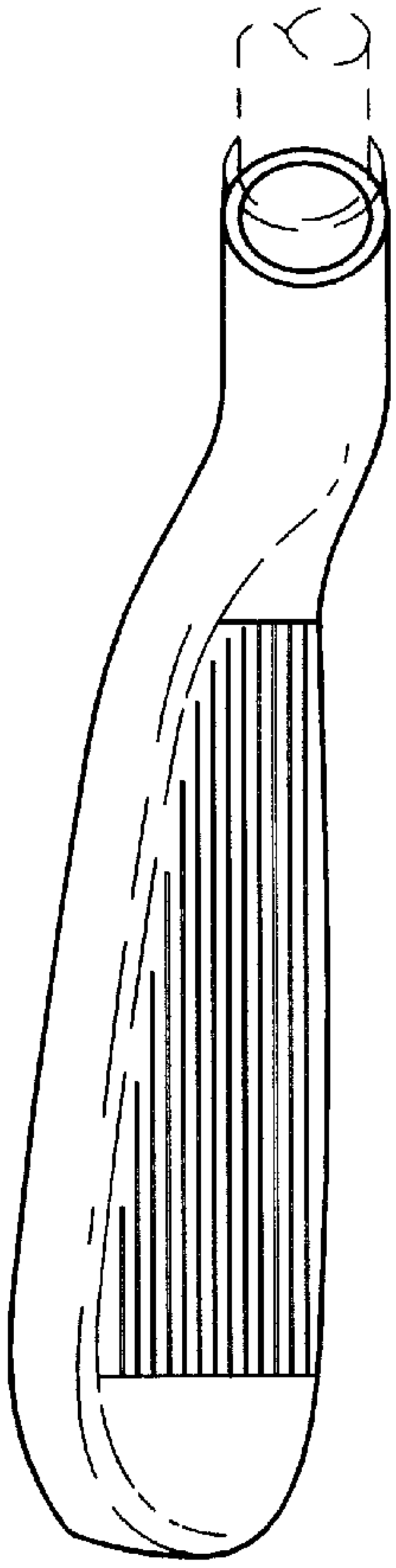


FIG. 10

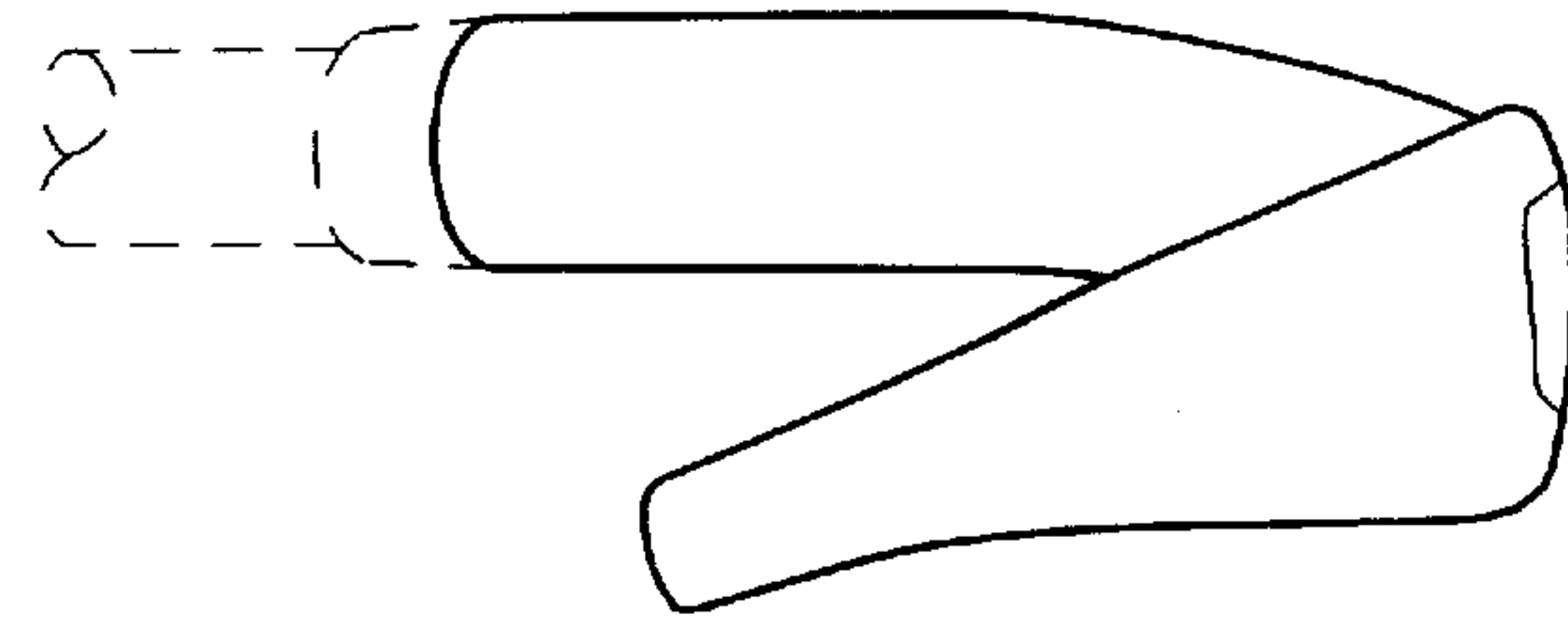


FIG. 13

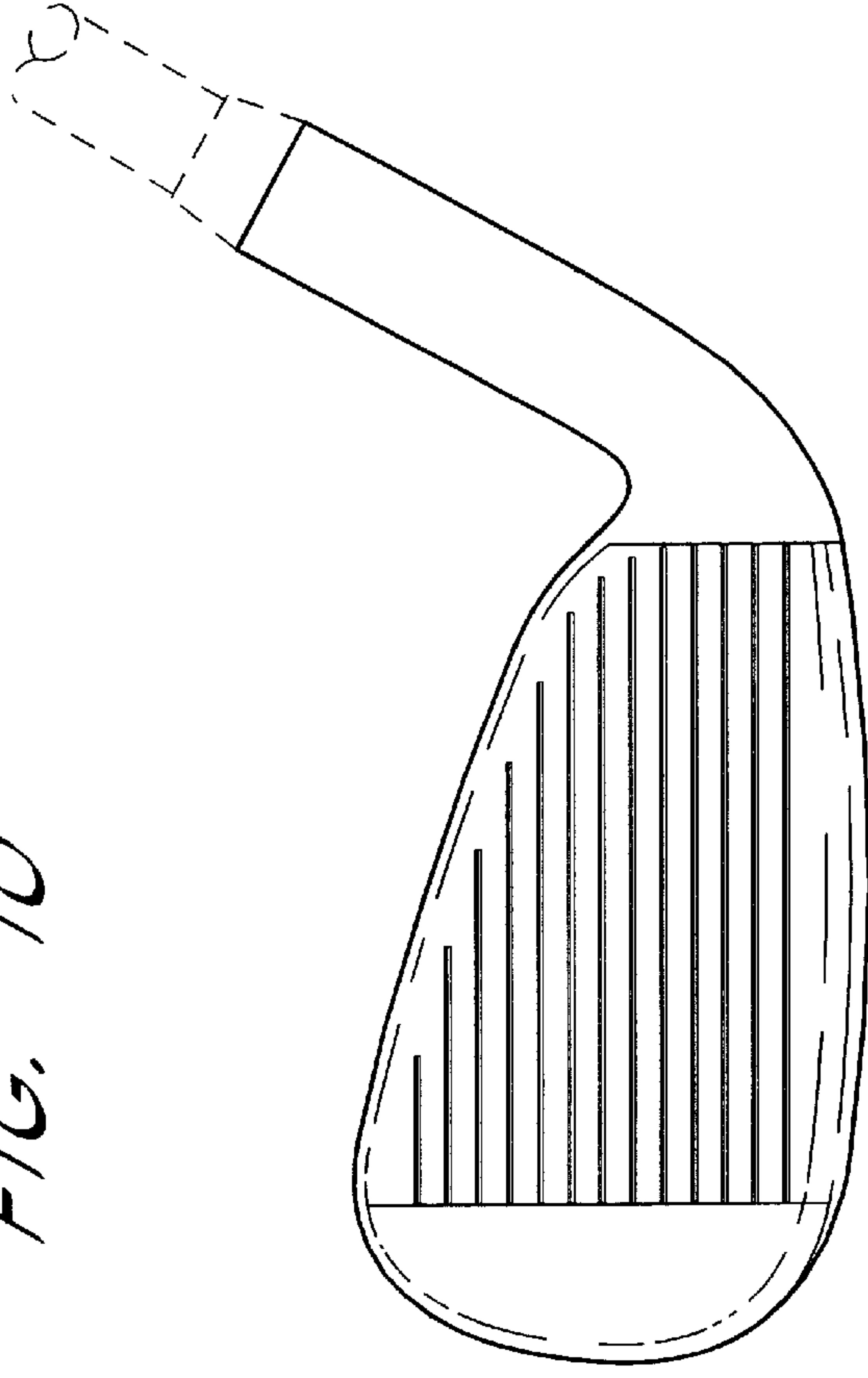


FIG. 11

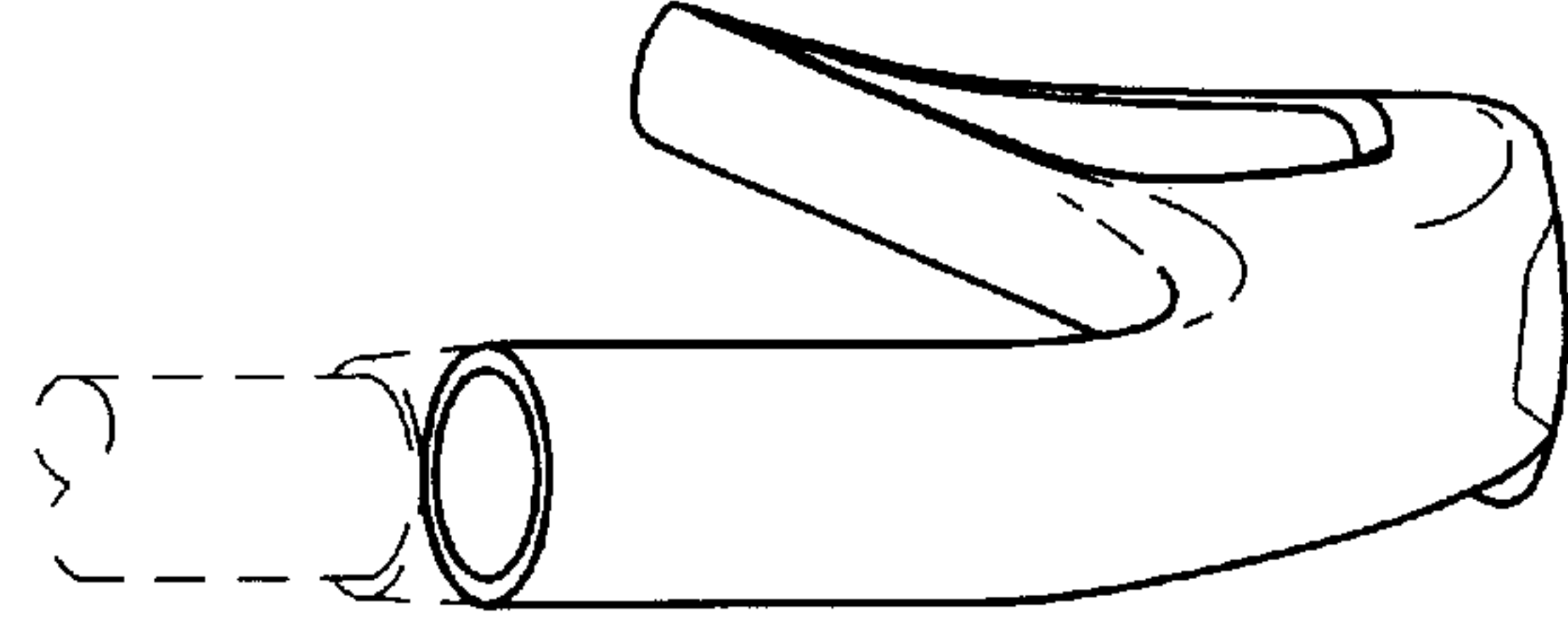


FIG. 14

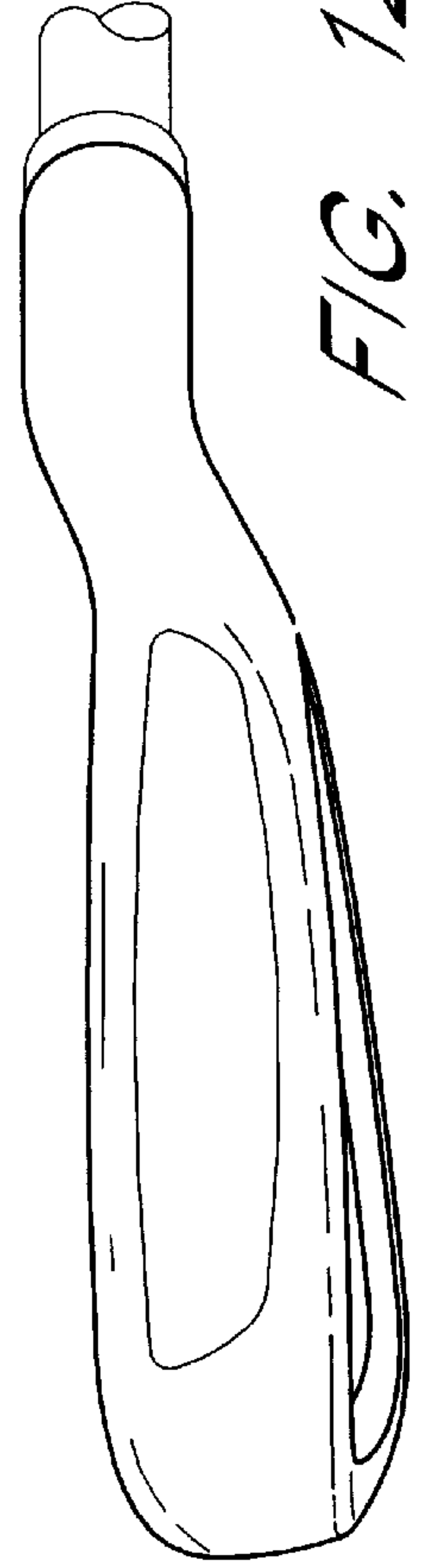


FIG. 12

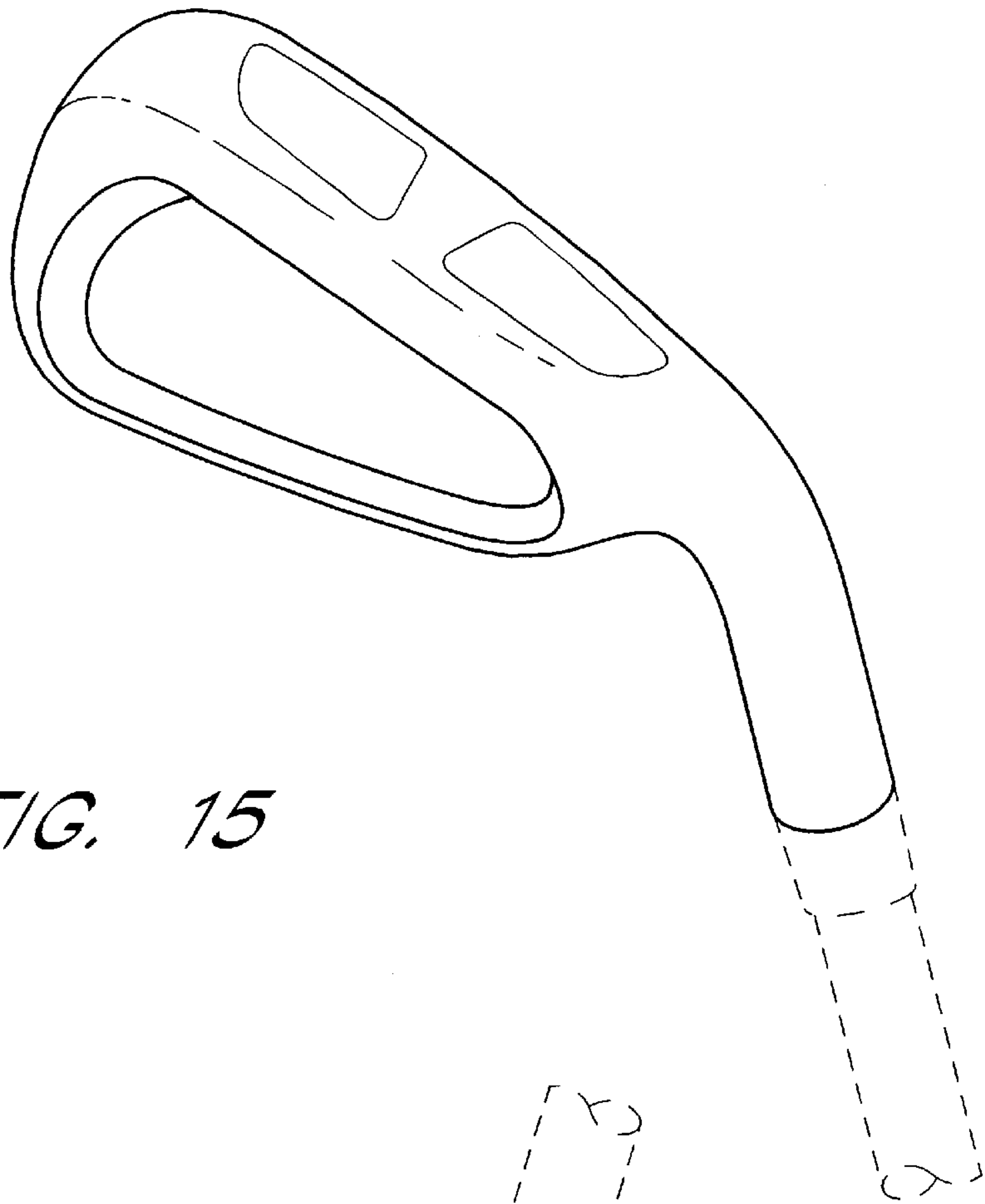


FIG. 15

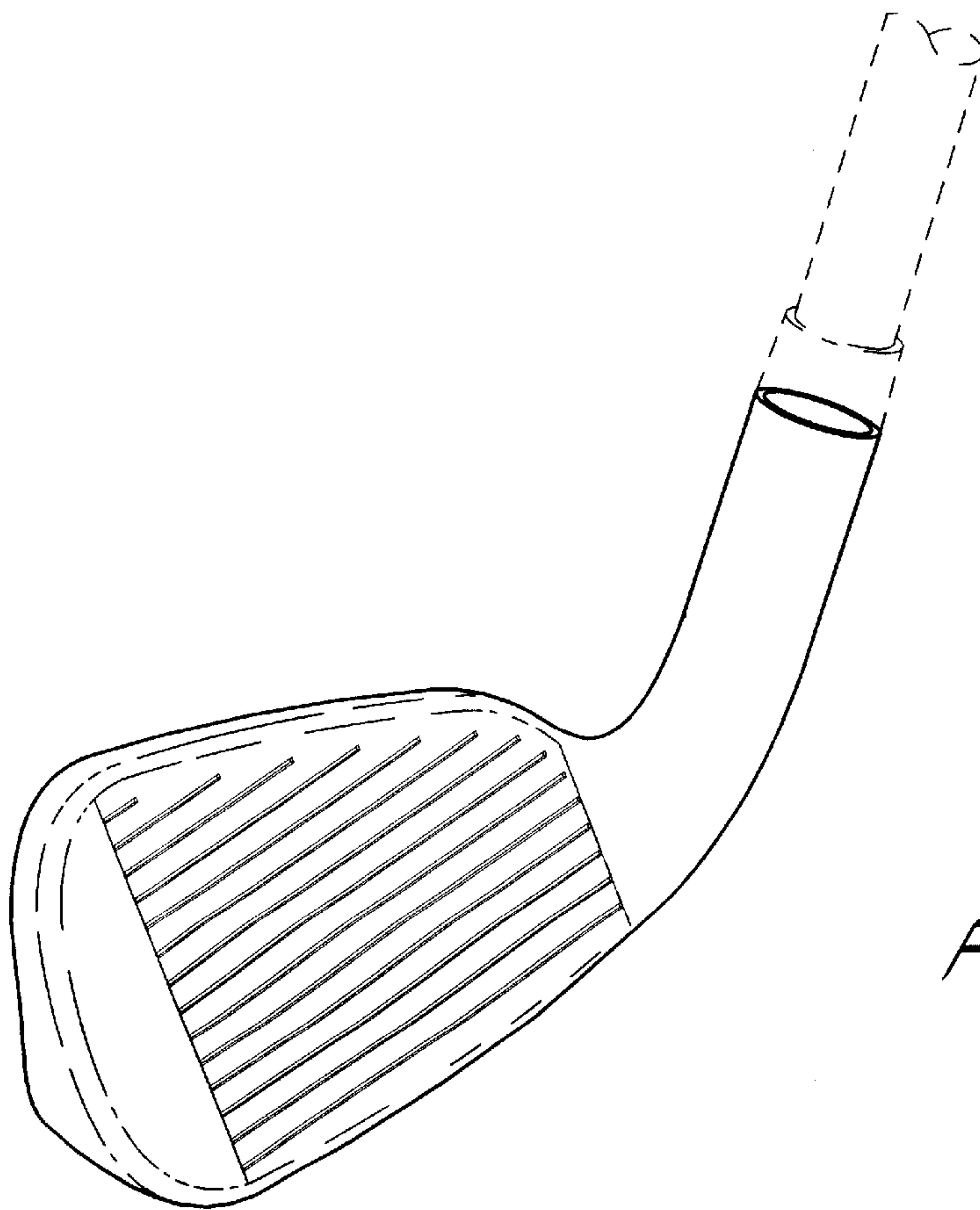


FIG. 16

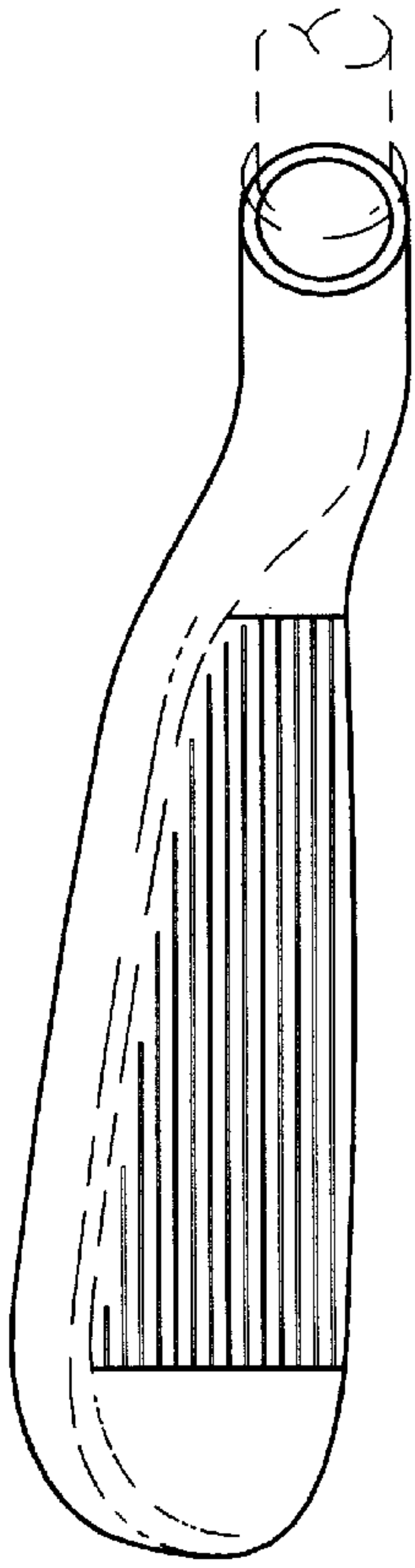


FIG. 17

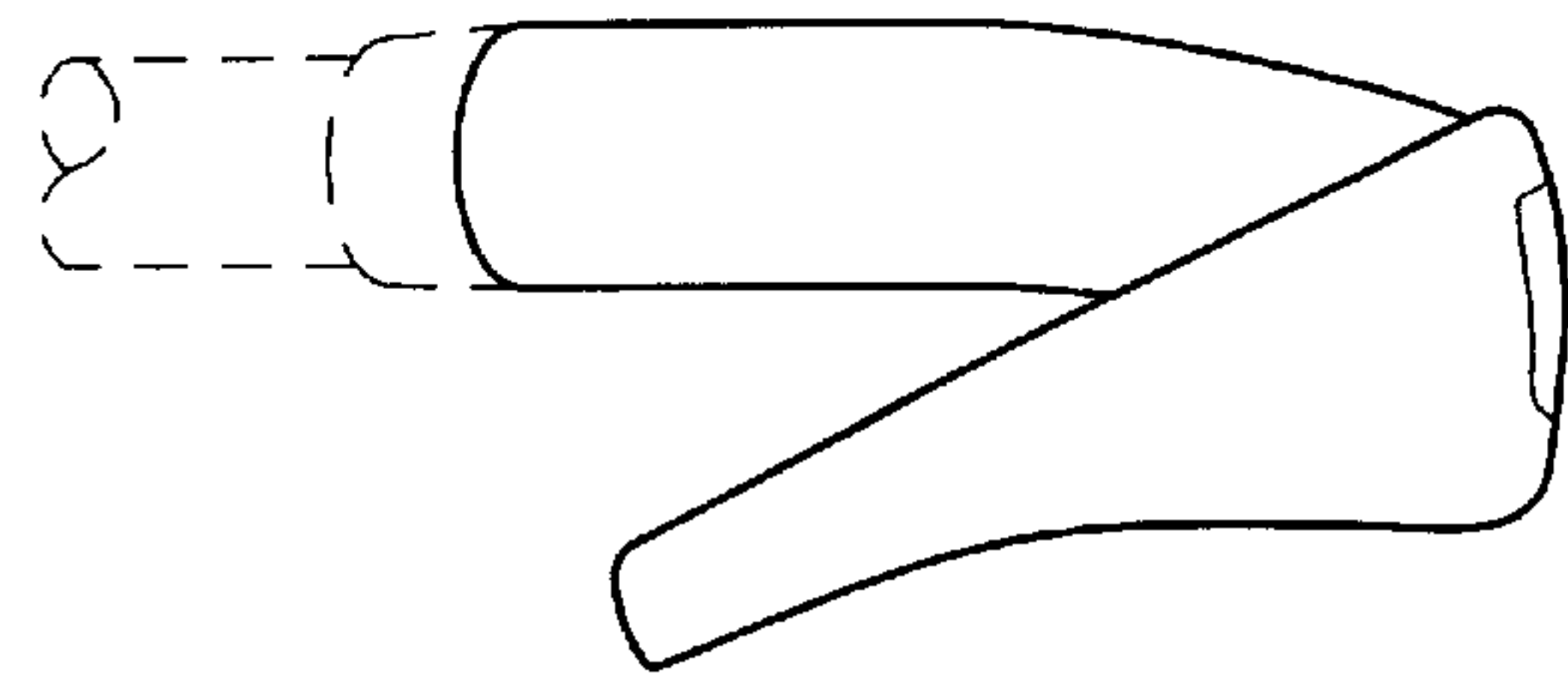


FIG. 20

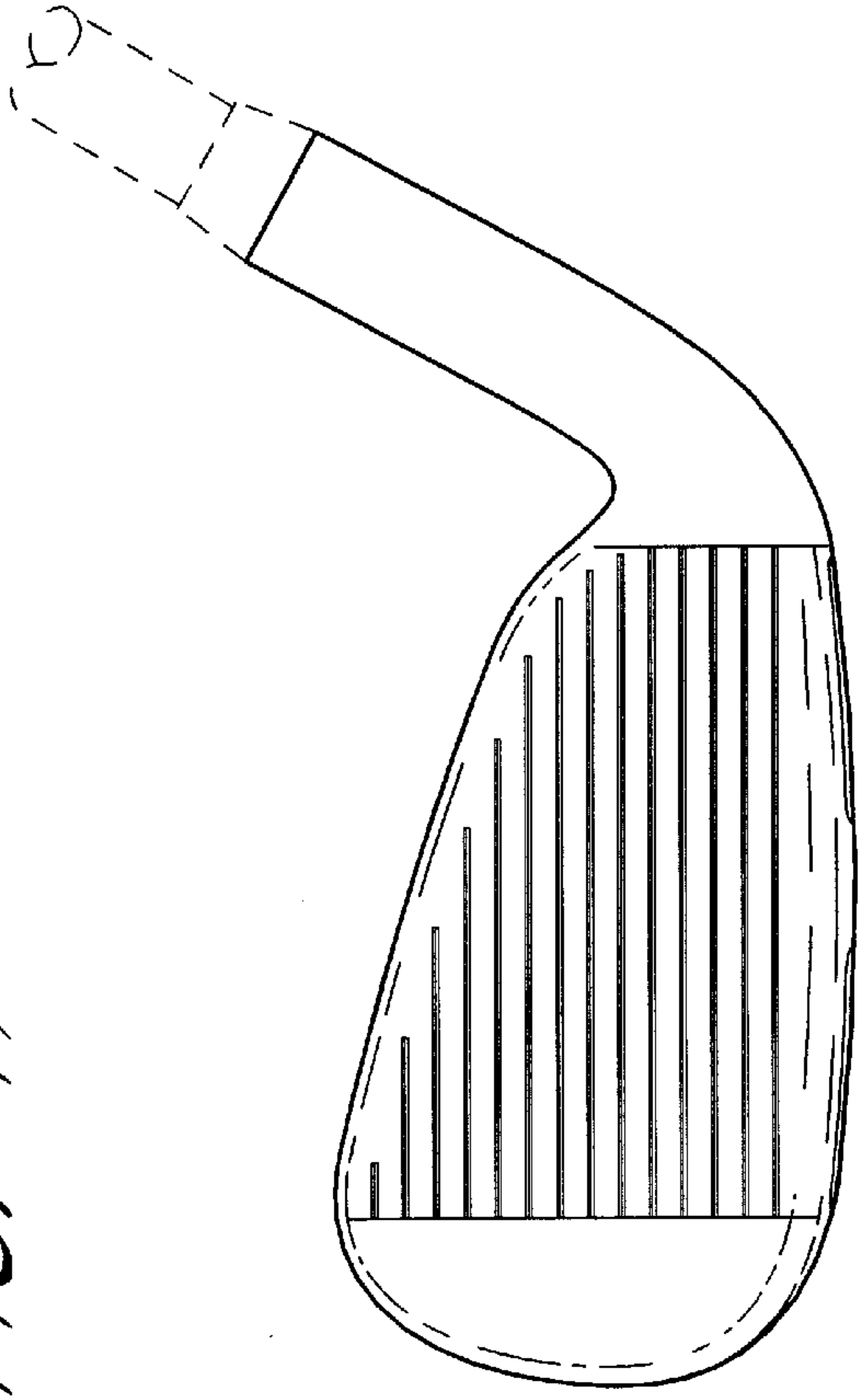


FIG. 18

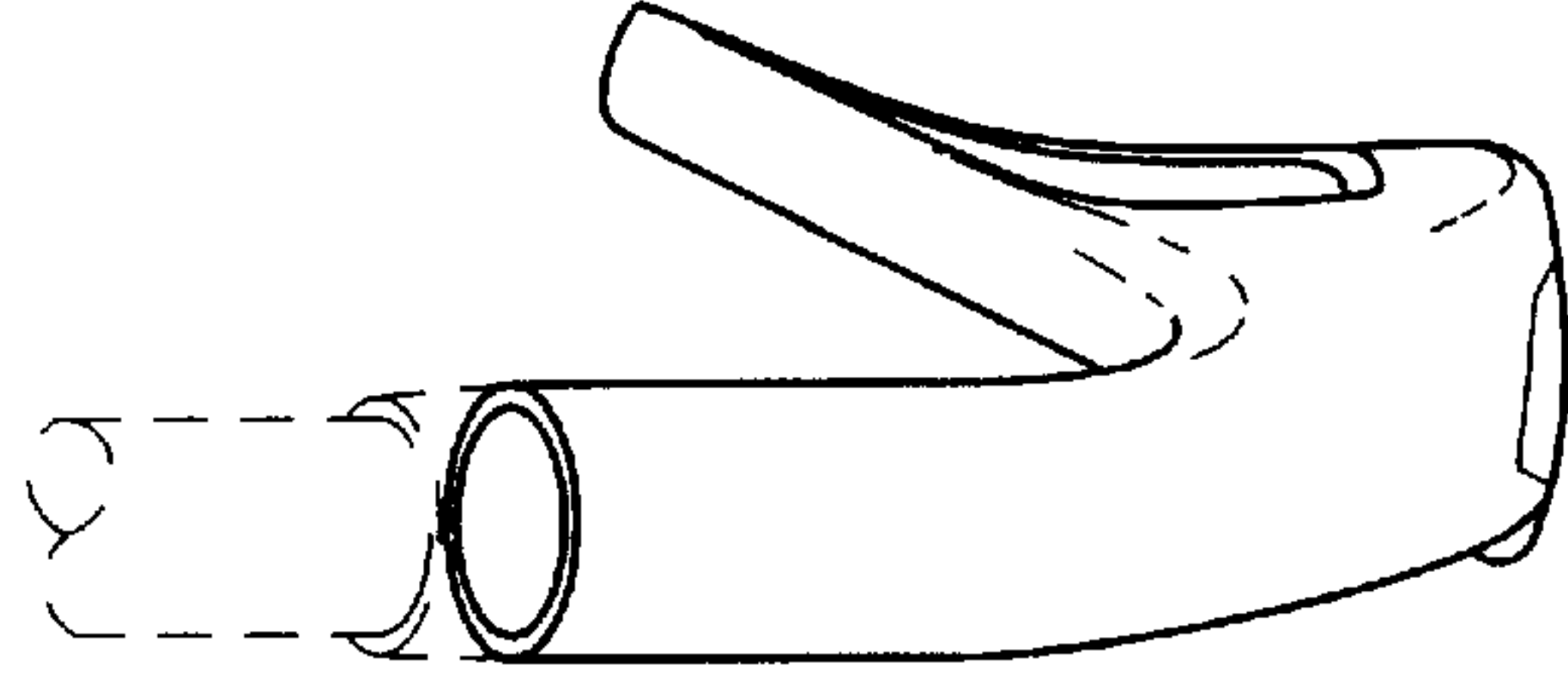


FIG. 21

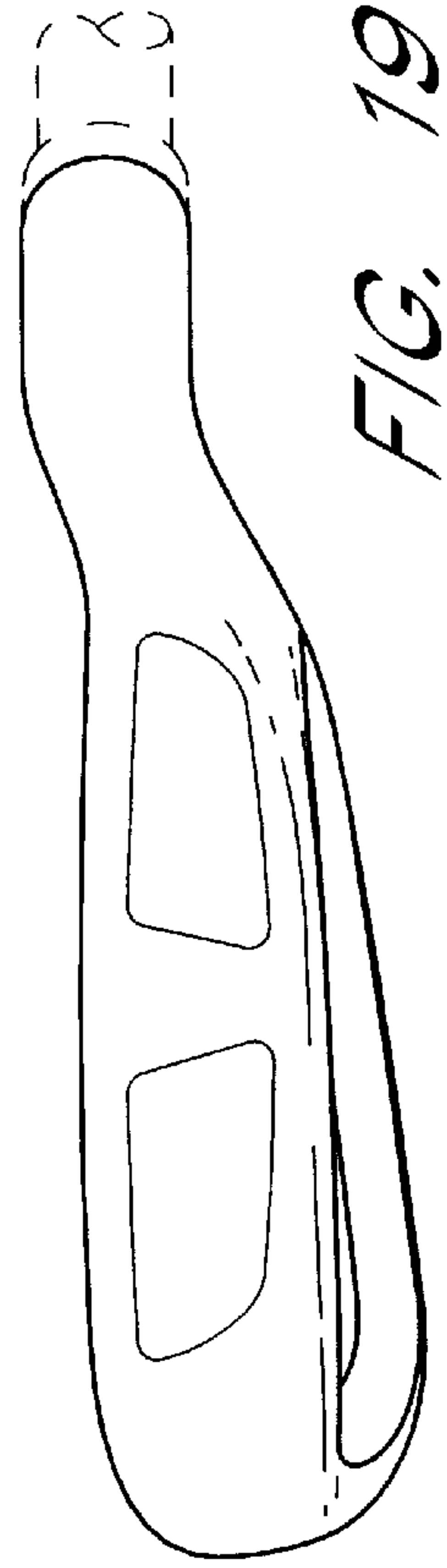


FIG. 19

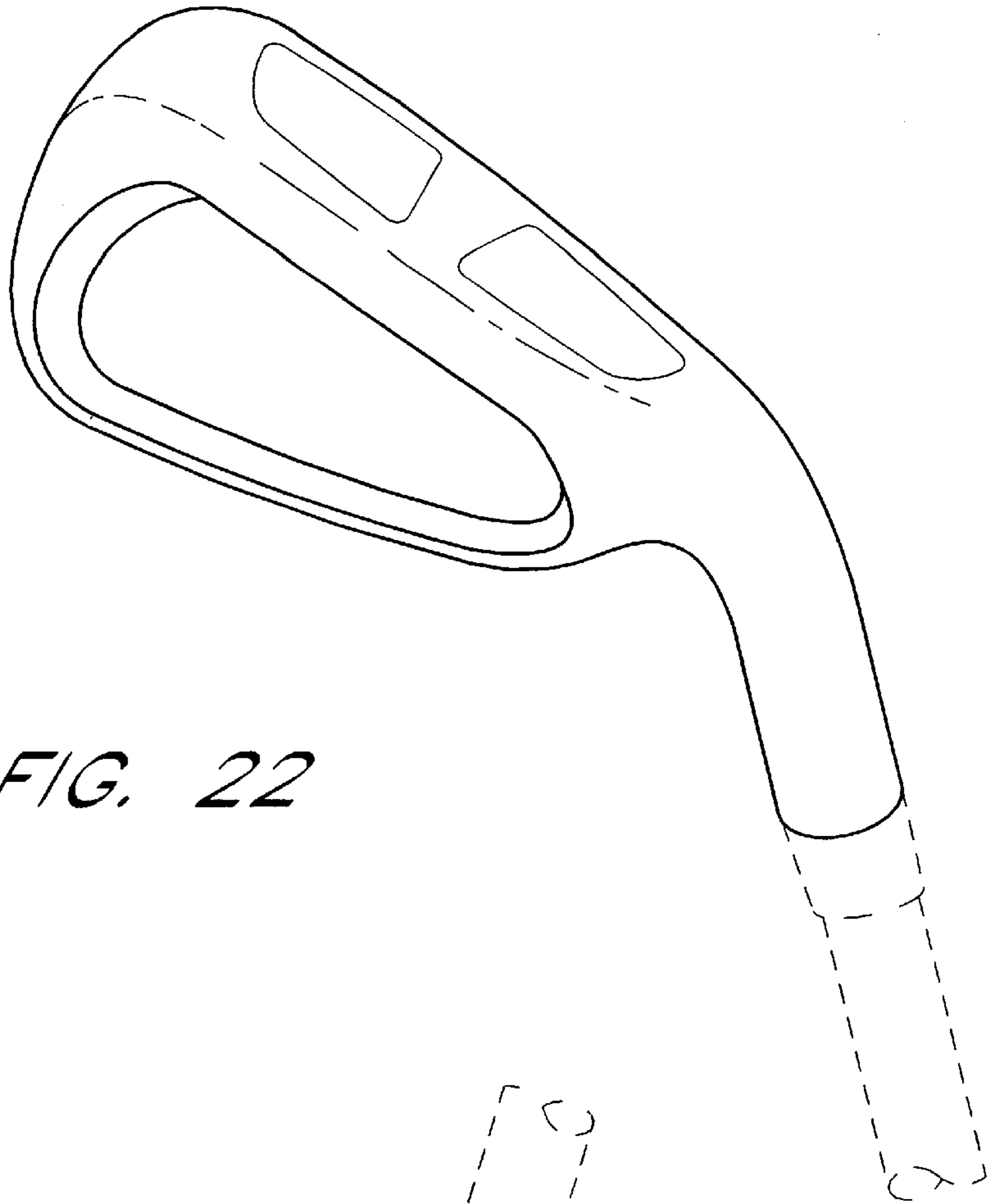


FIG. 22

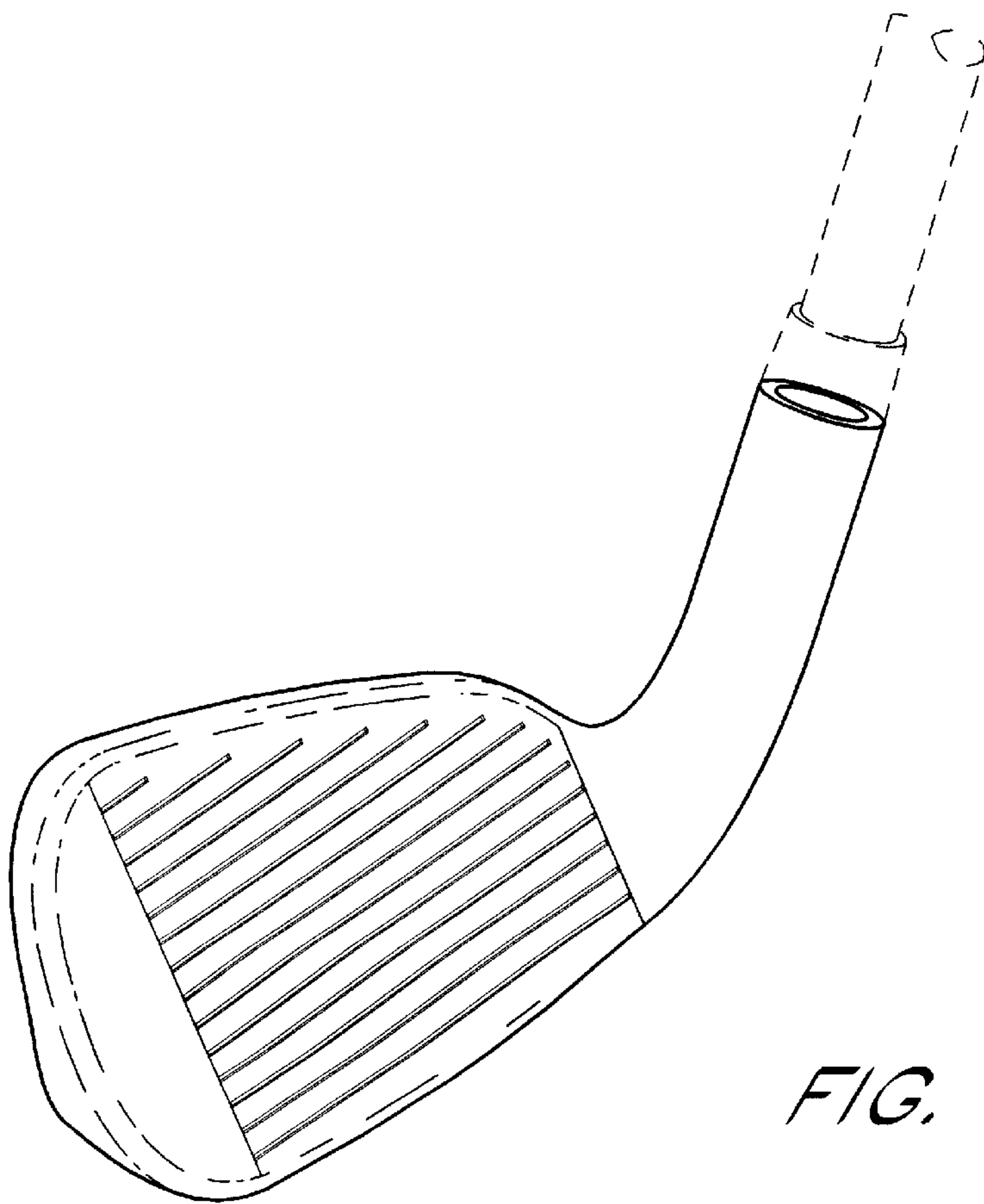


FIG. 23

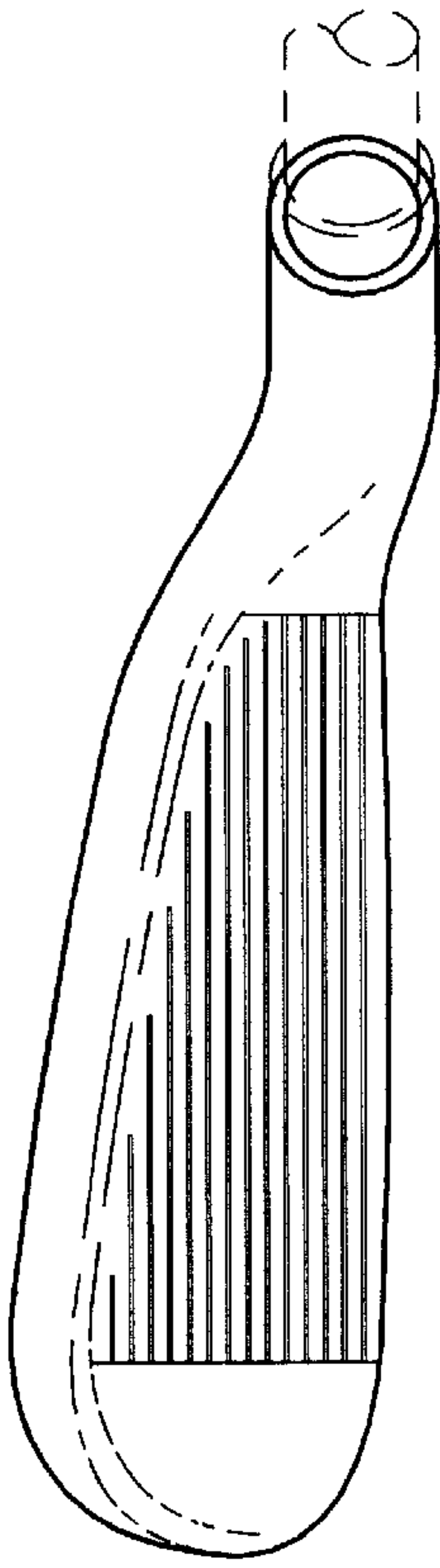


FIG. 24

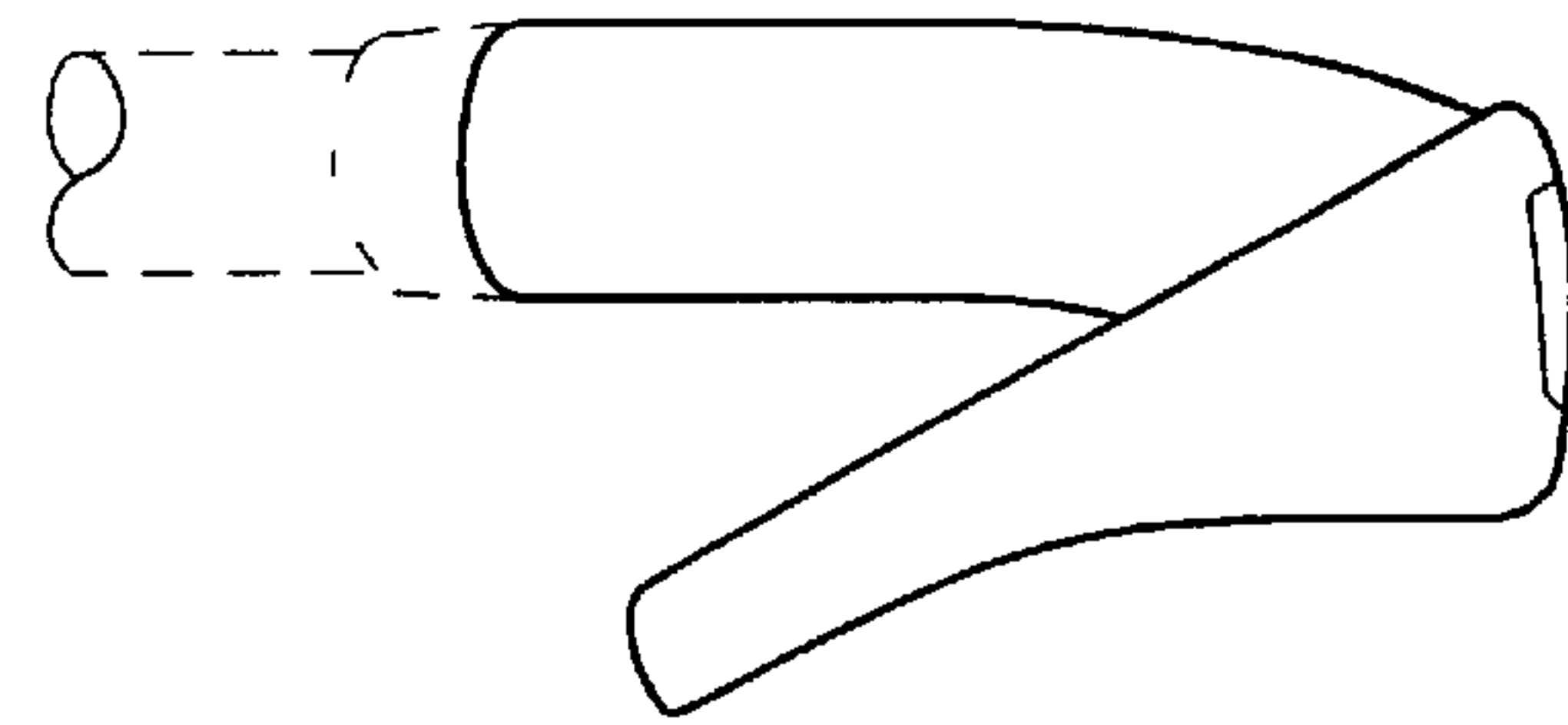


FIG. 27

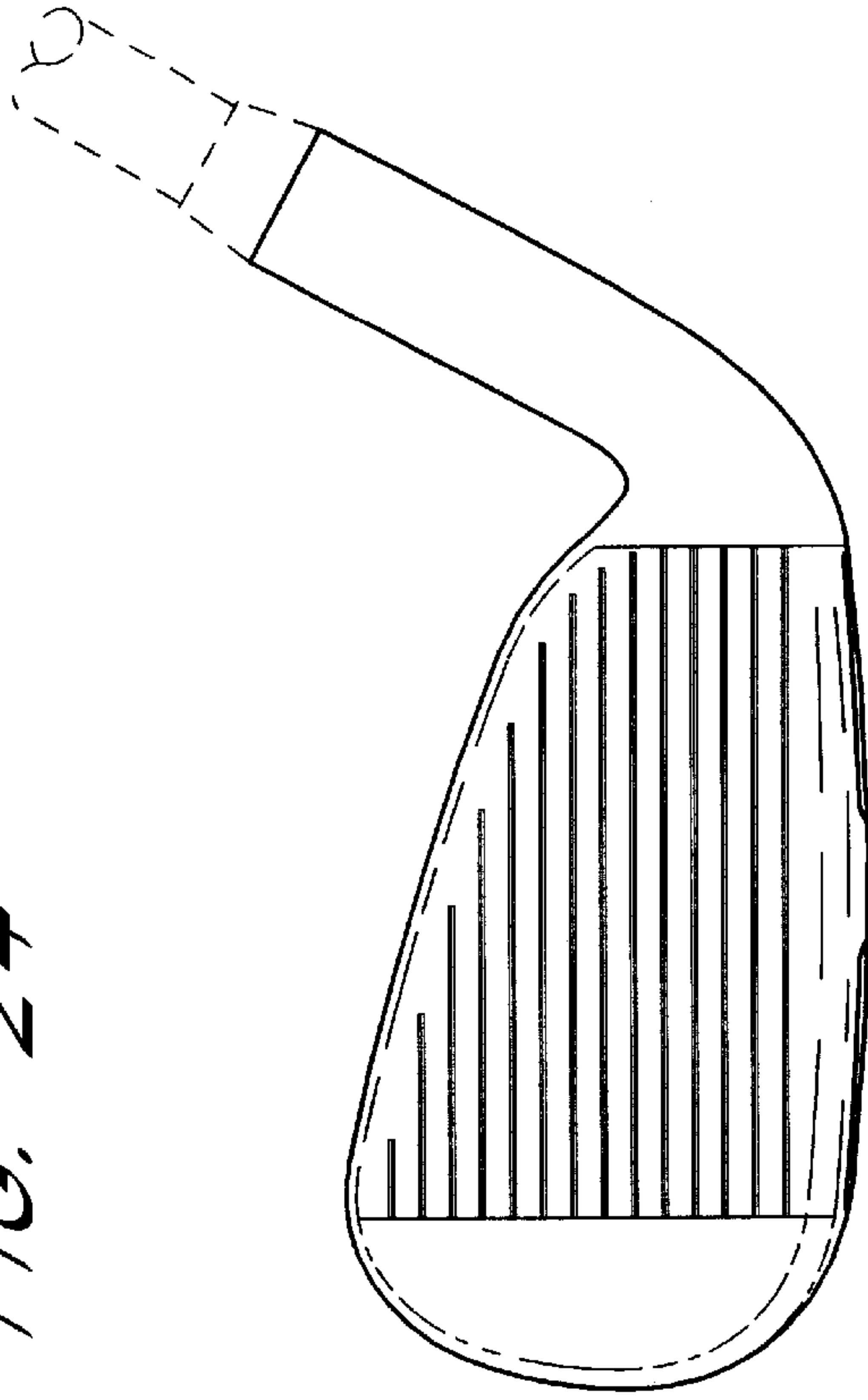


FIG. 25

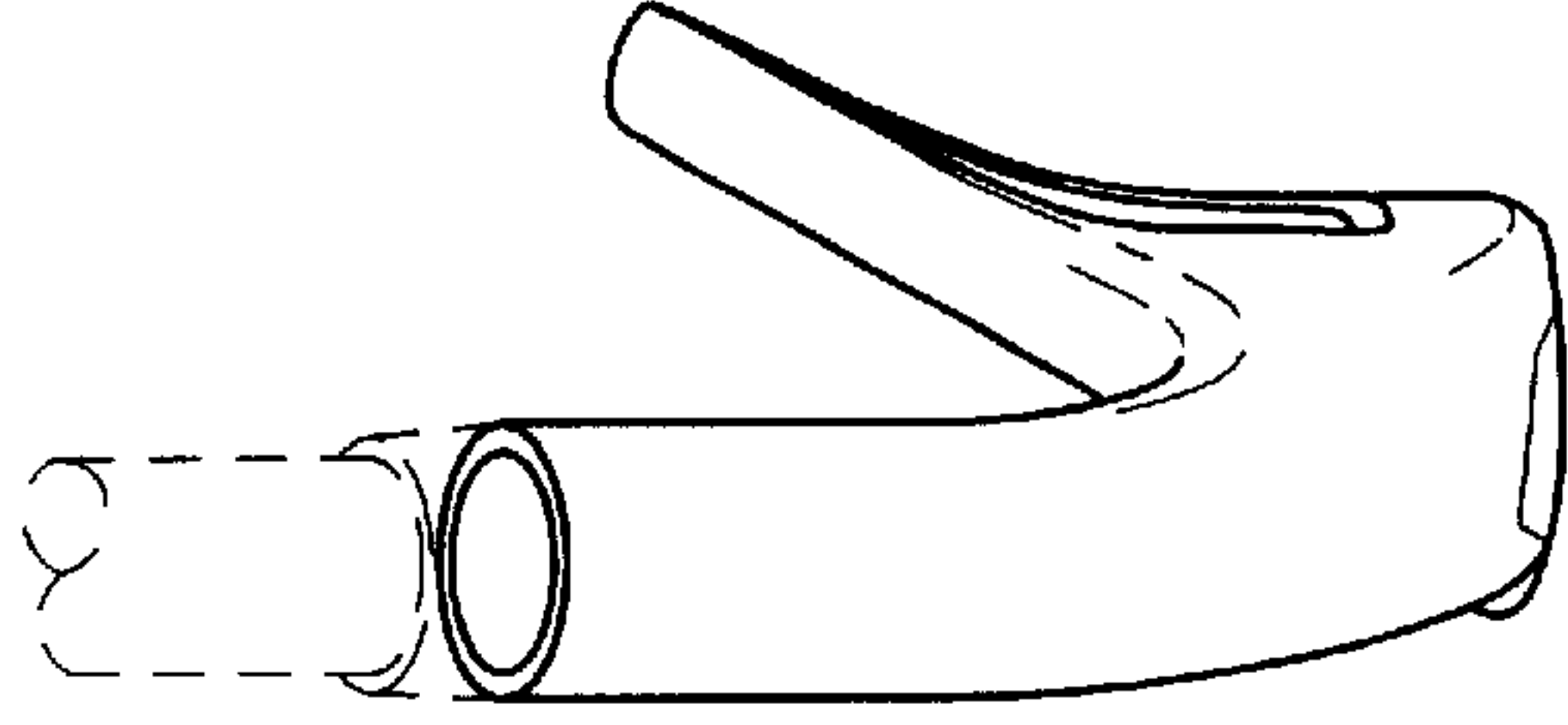


FIG. 28

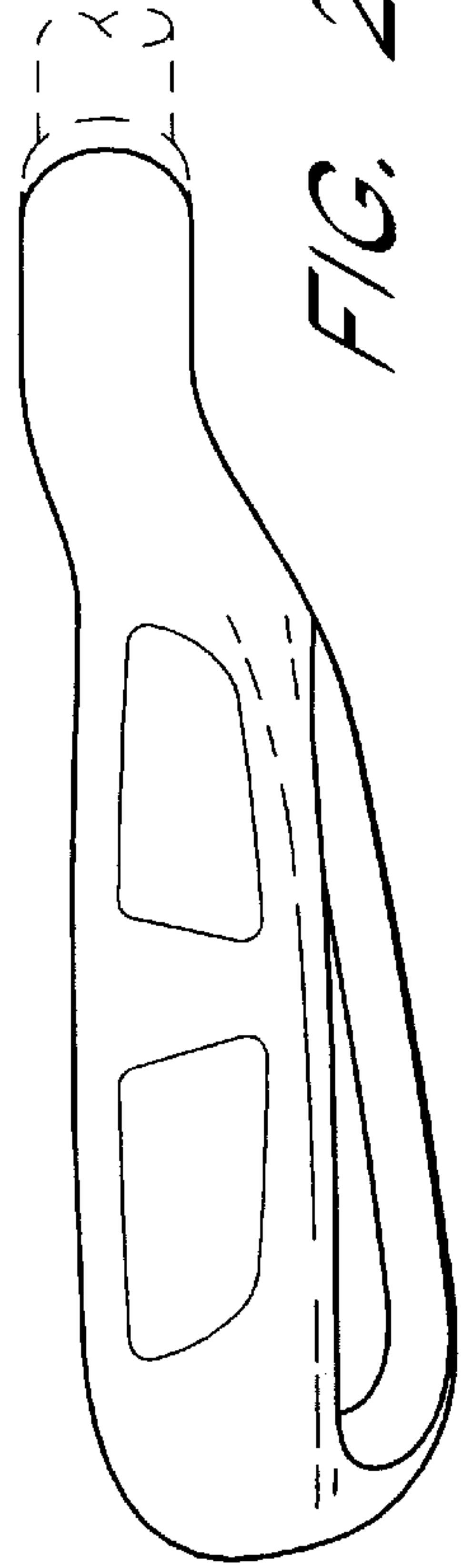


FIG. 26

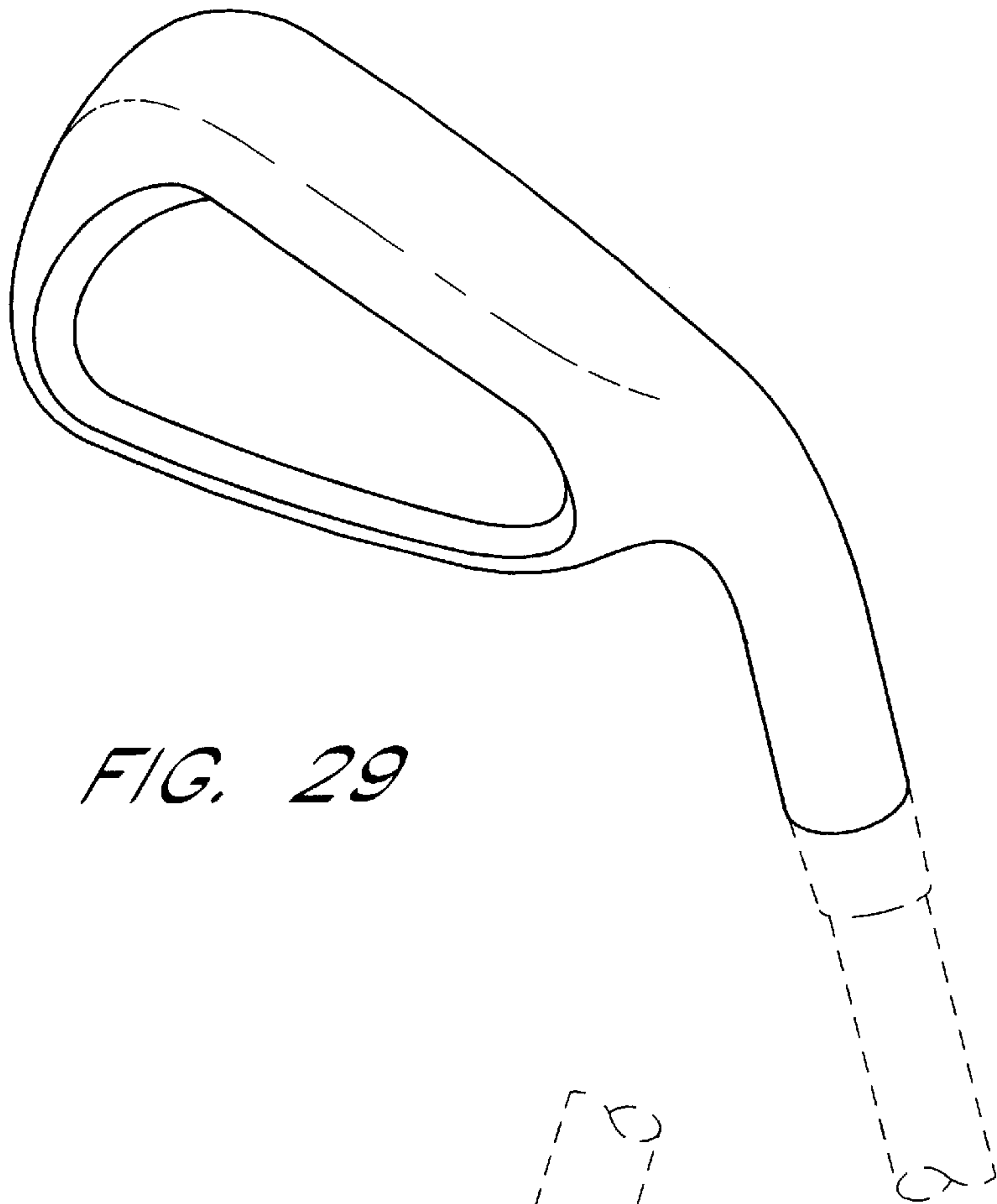


FIG. 29

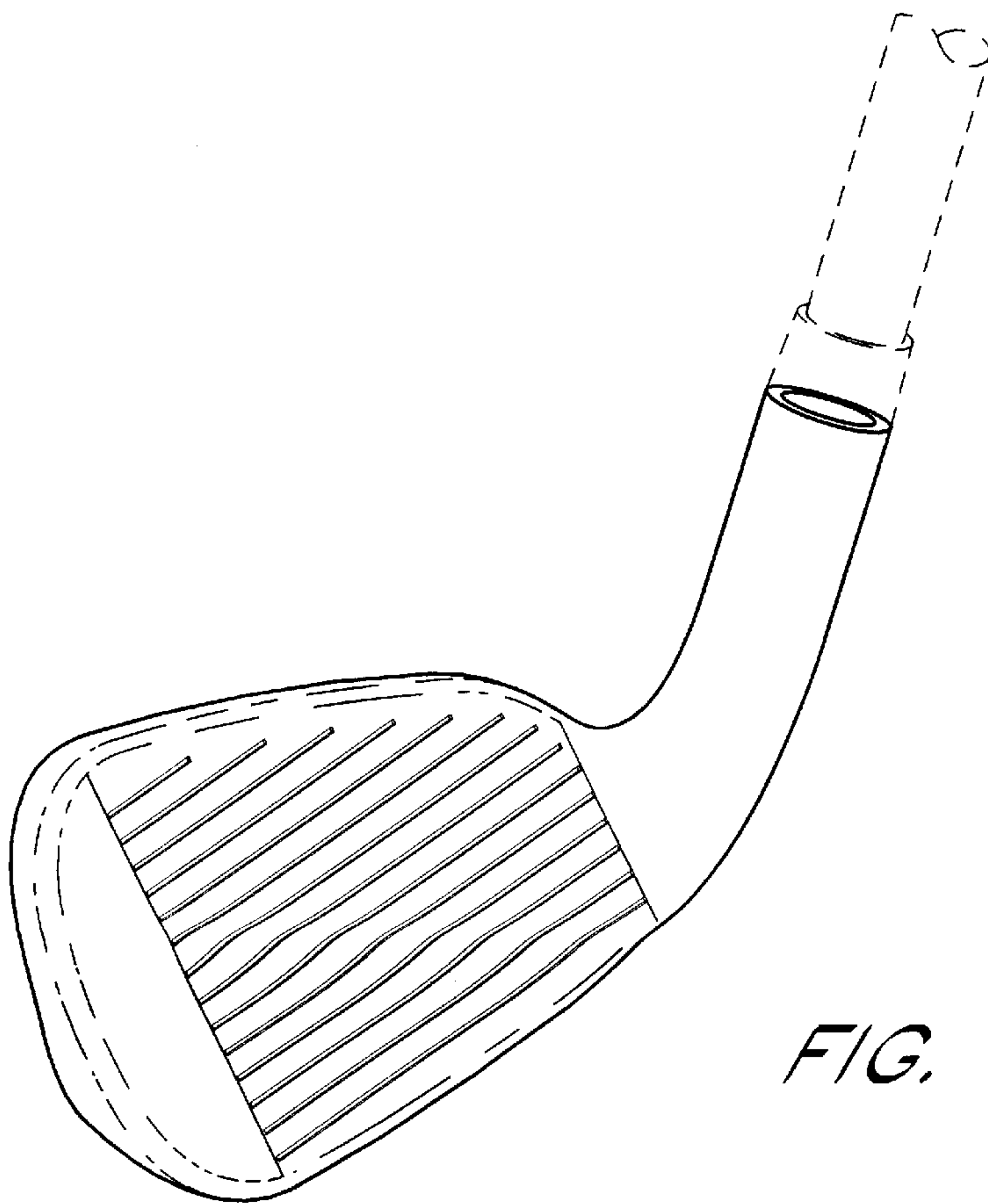


FIG. 30

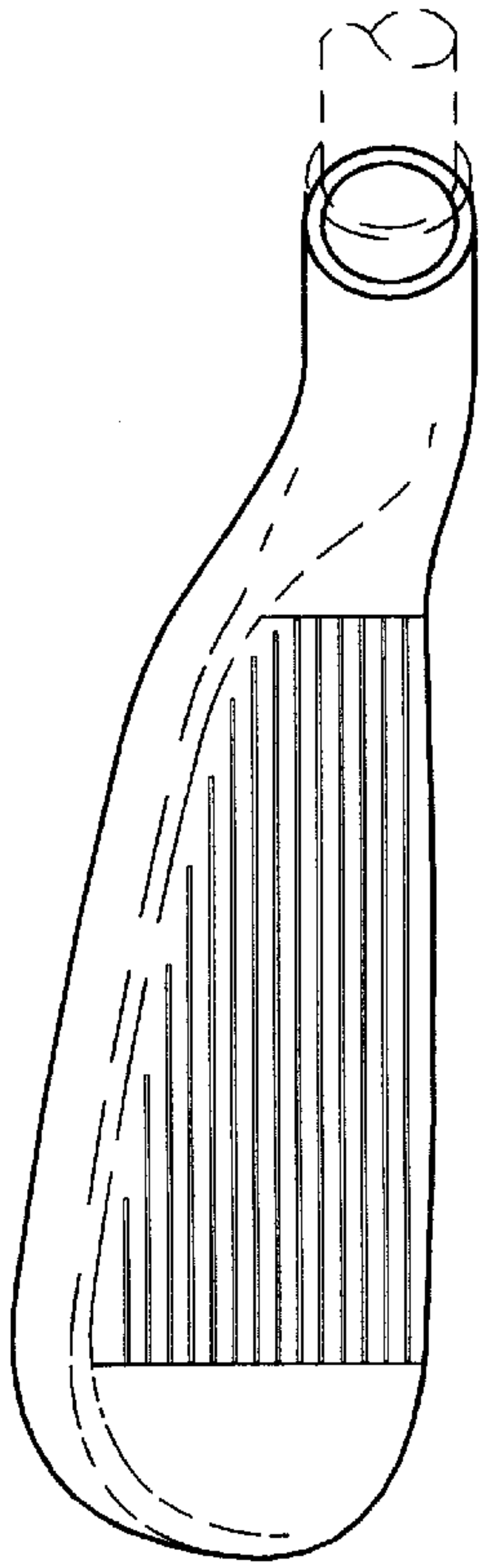


FIG. 31

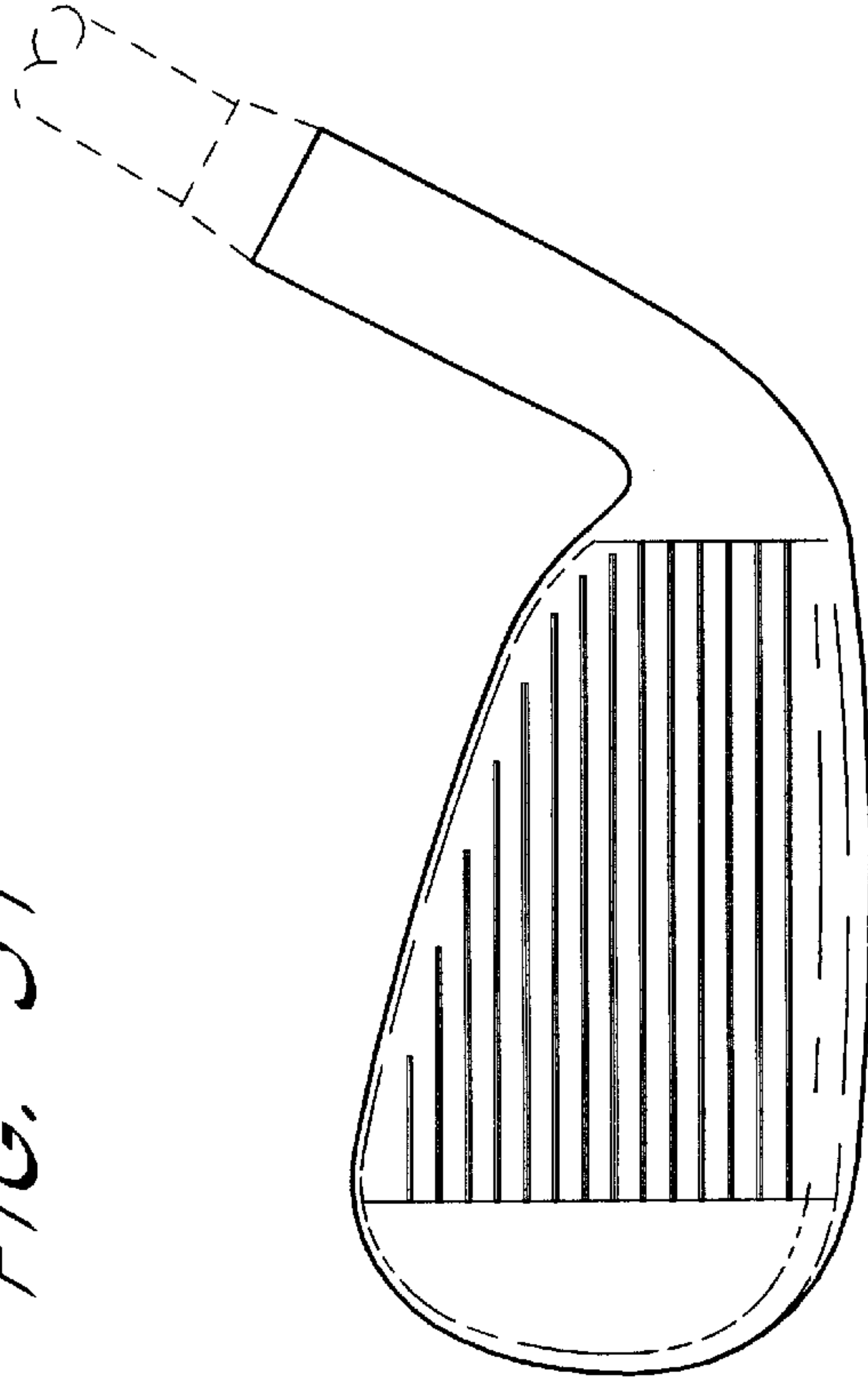


FIG. 32

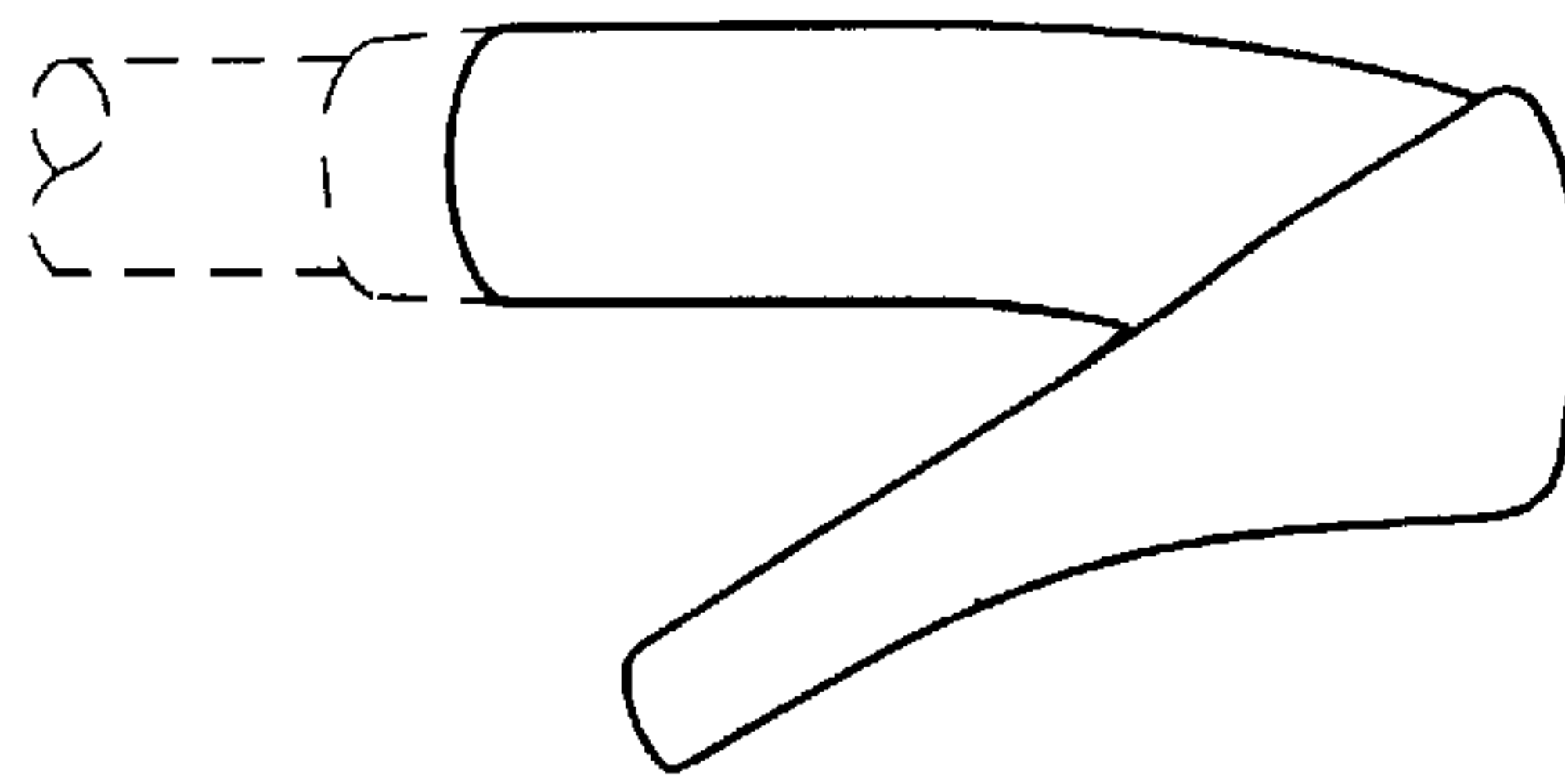


FIG. 34

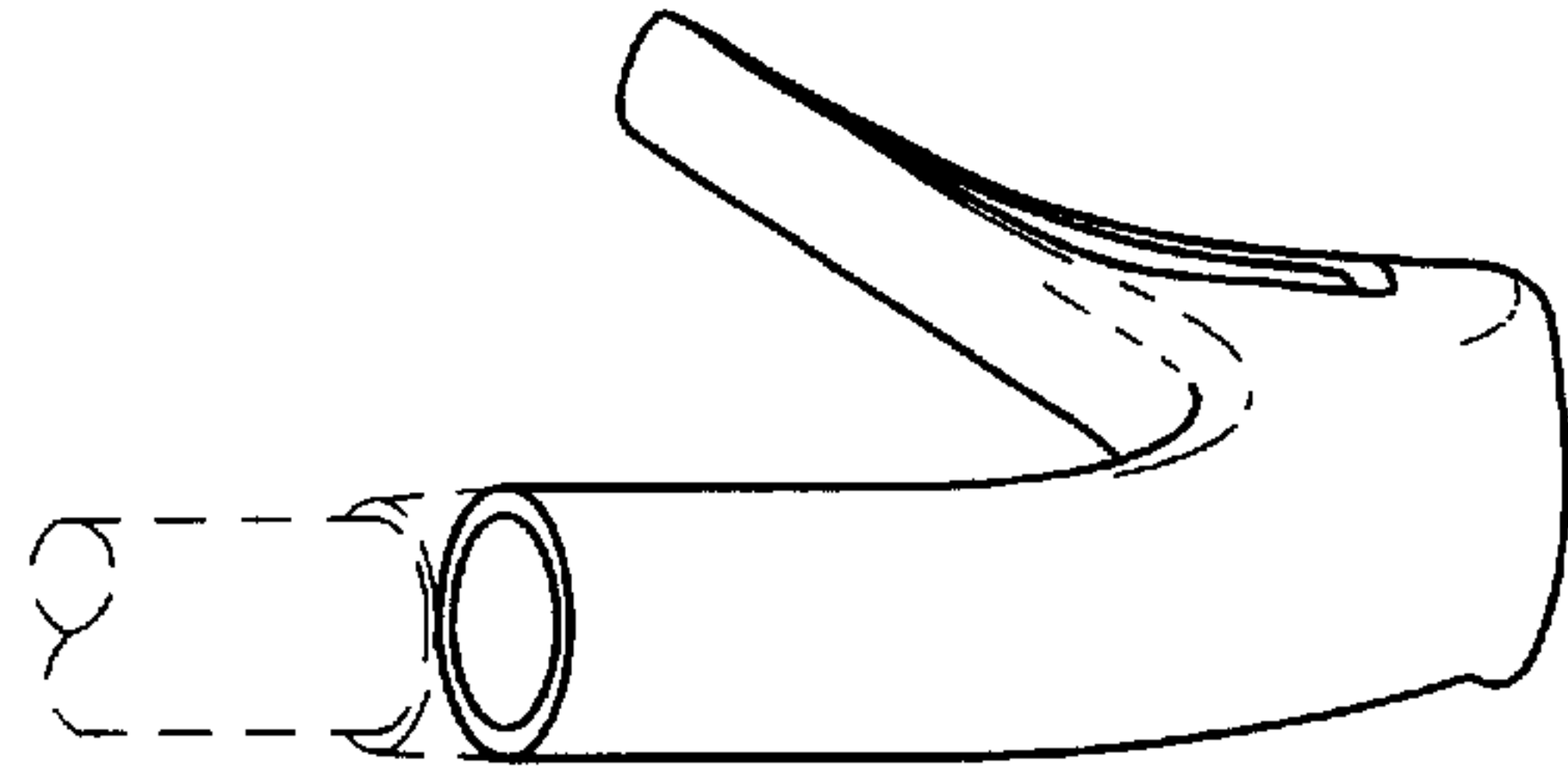


FIG. 35



FIG. 33

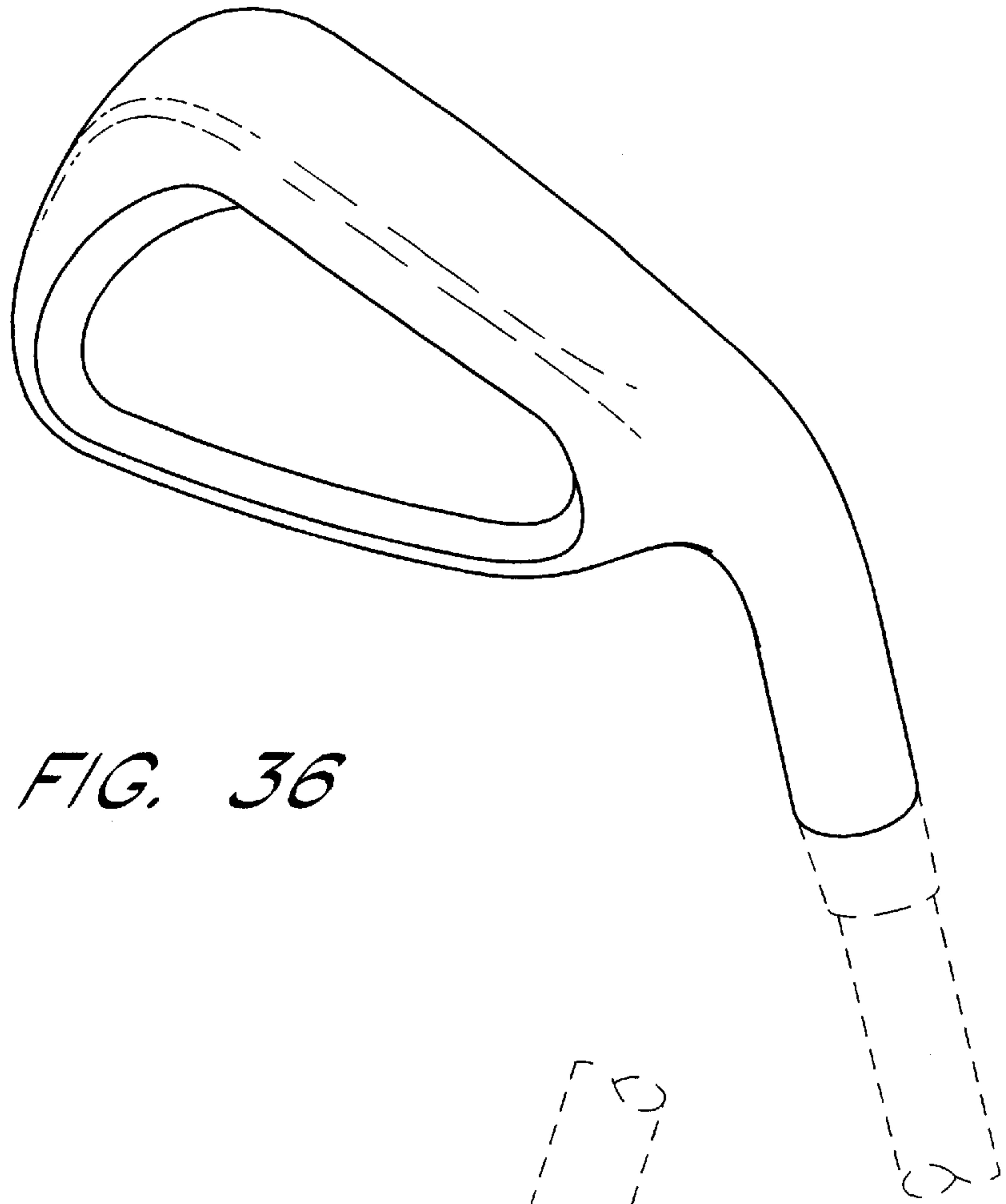


FIG. 36

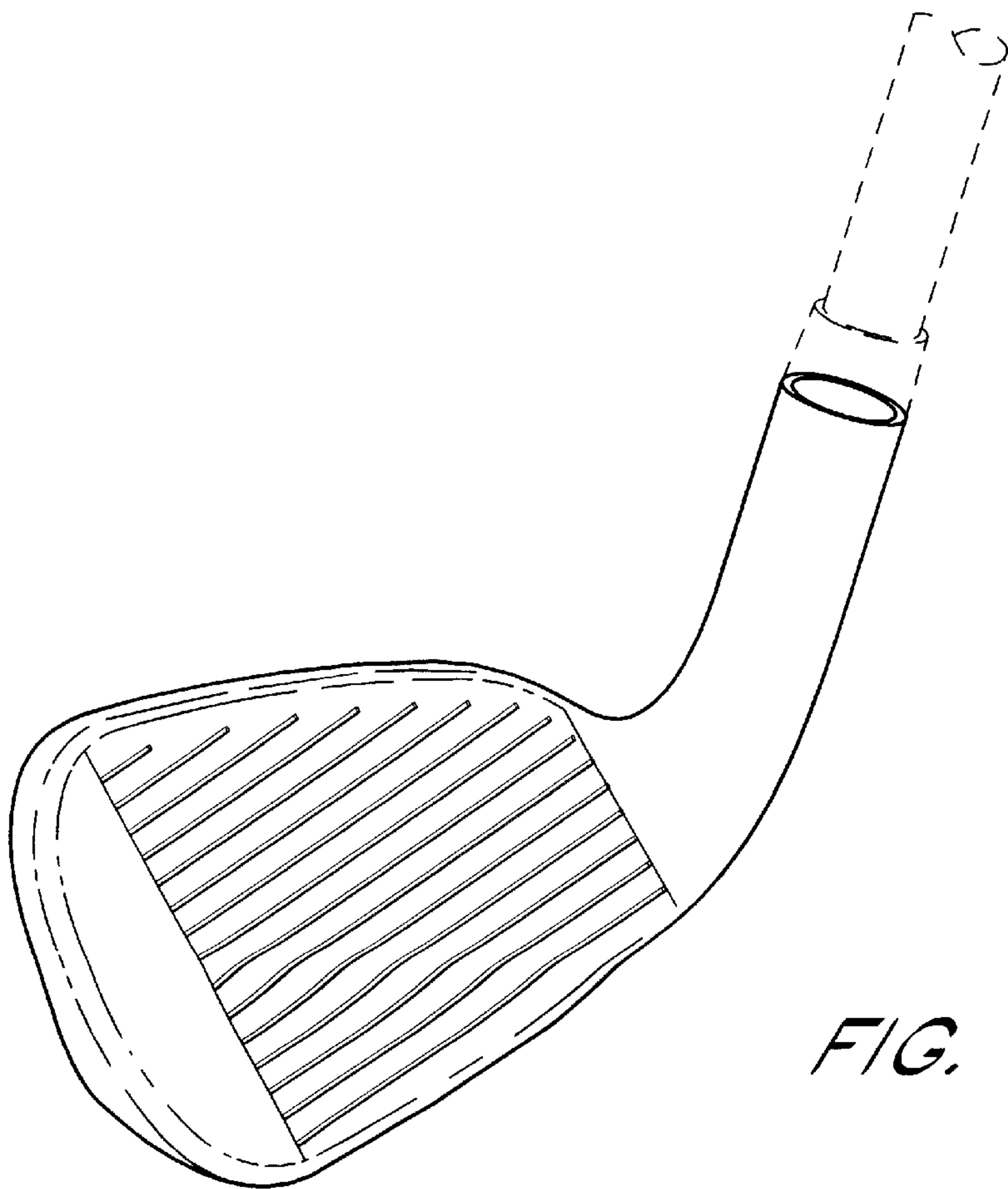


FIG. 37

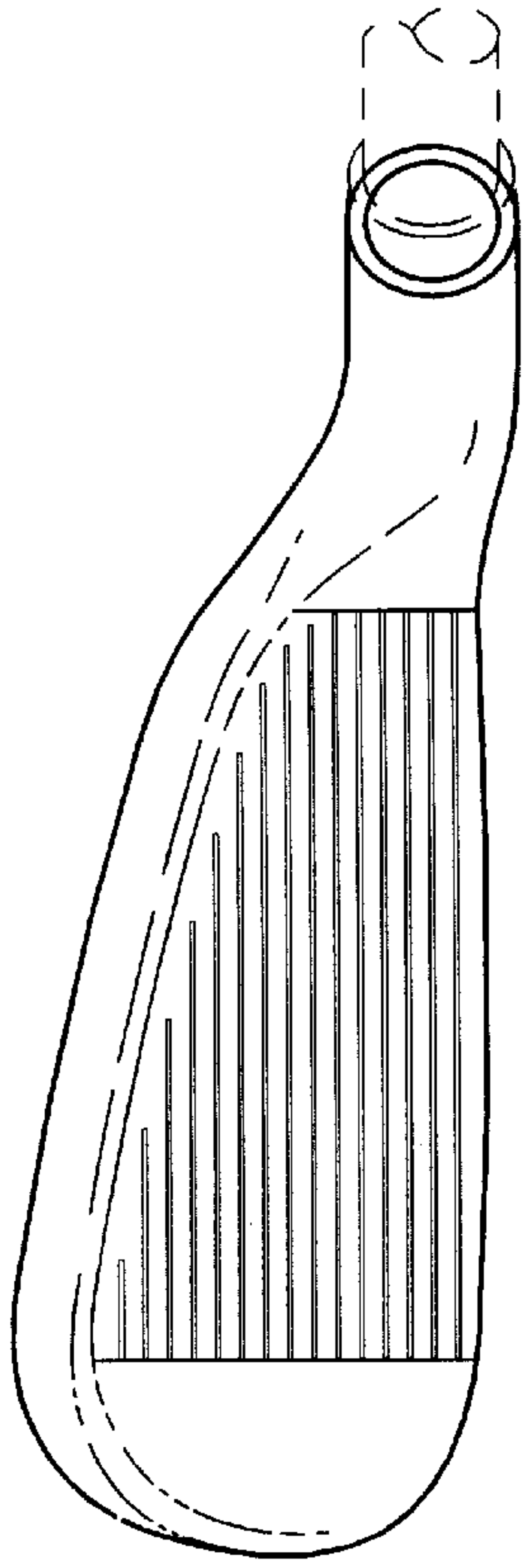


FIG. 38

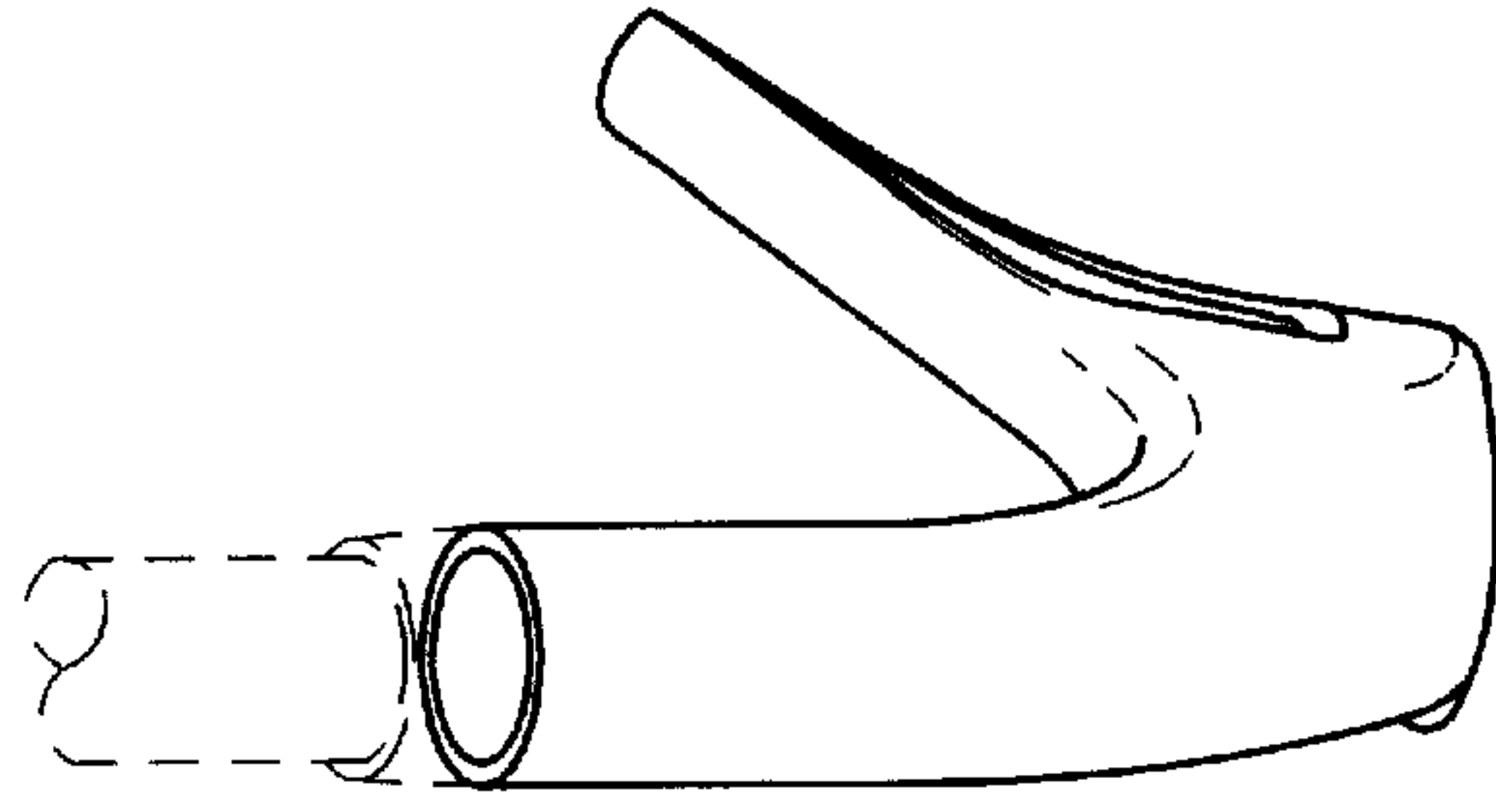


FIG. 42

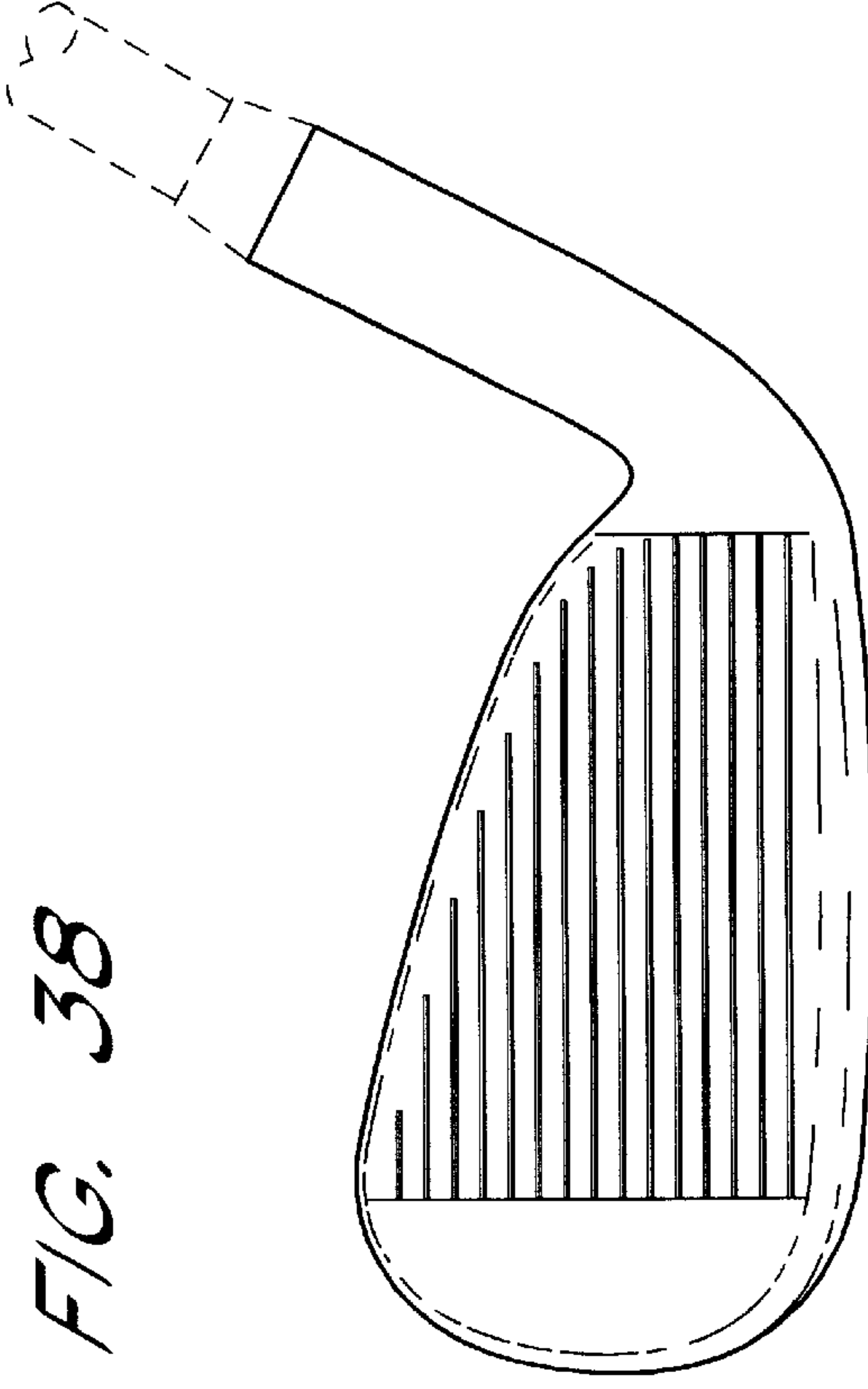


FIG. 39

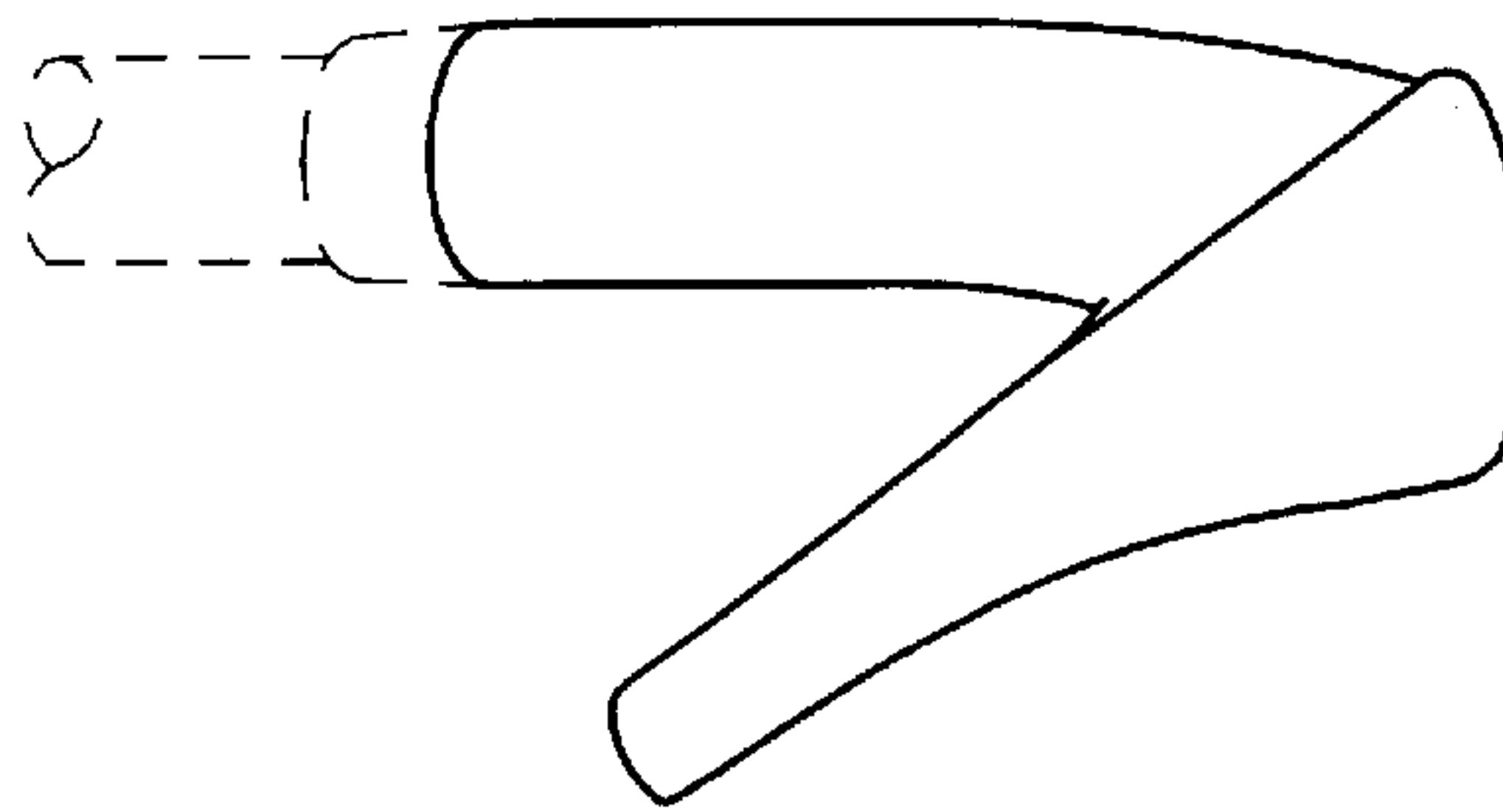


FIG. 41

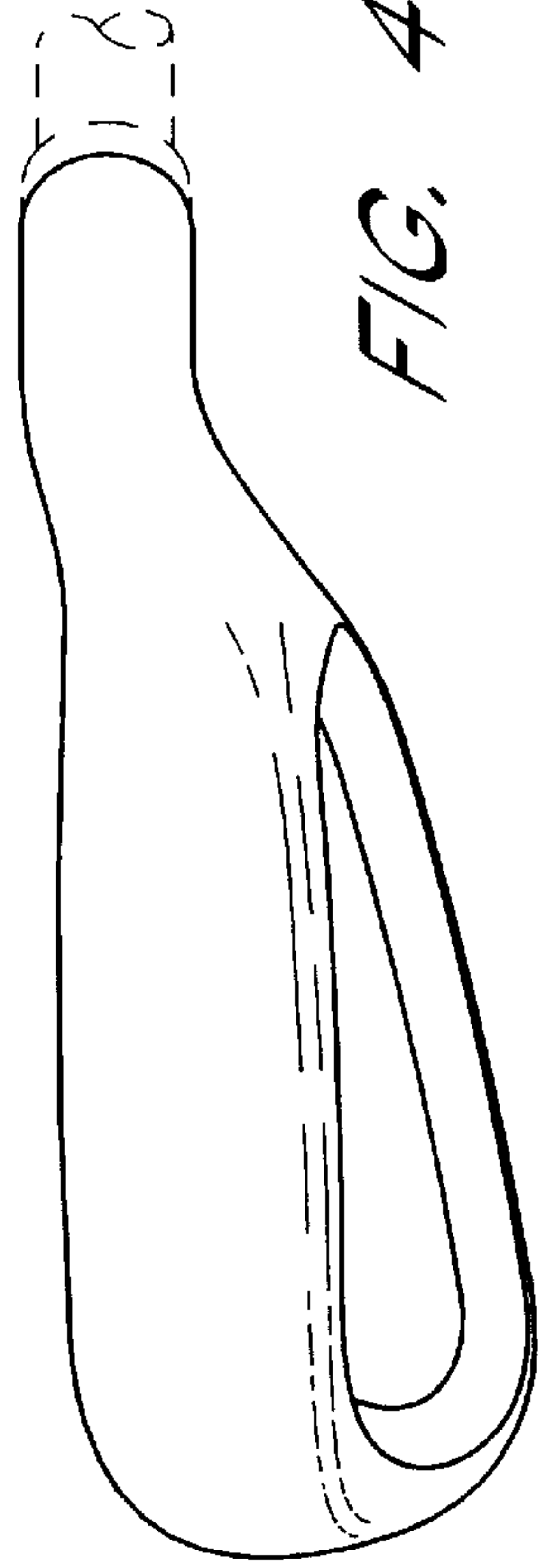


FIG. 40

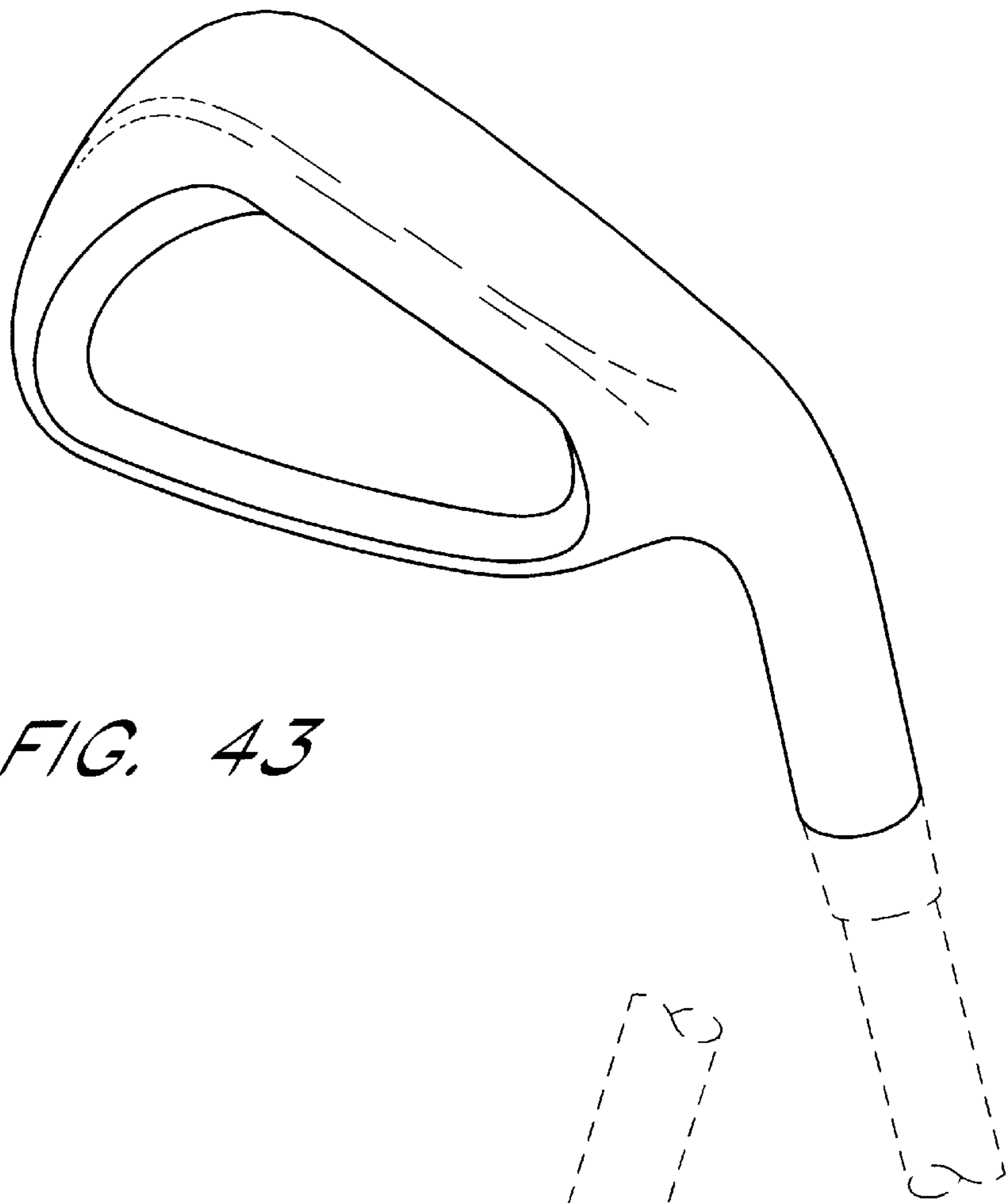


FIG. 43

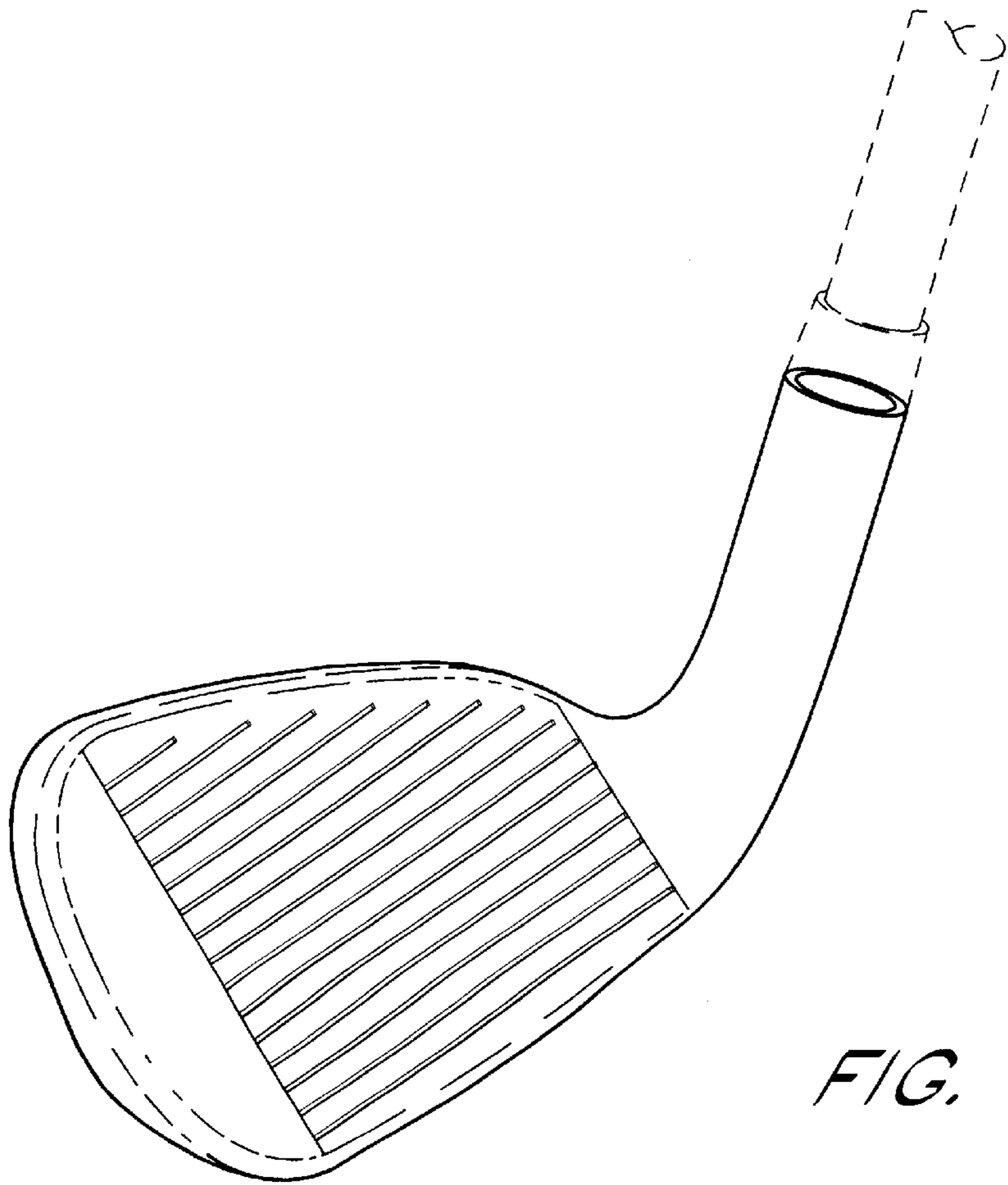


FIG. 44

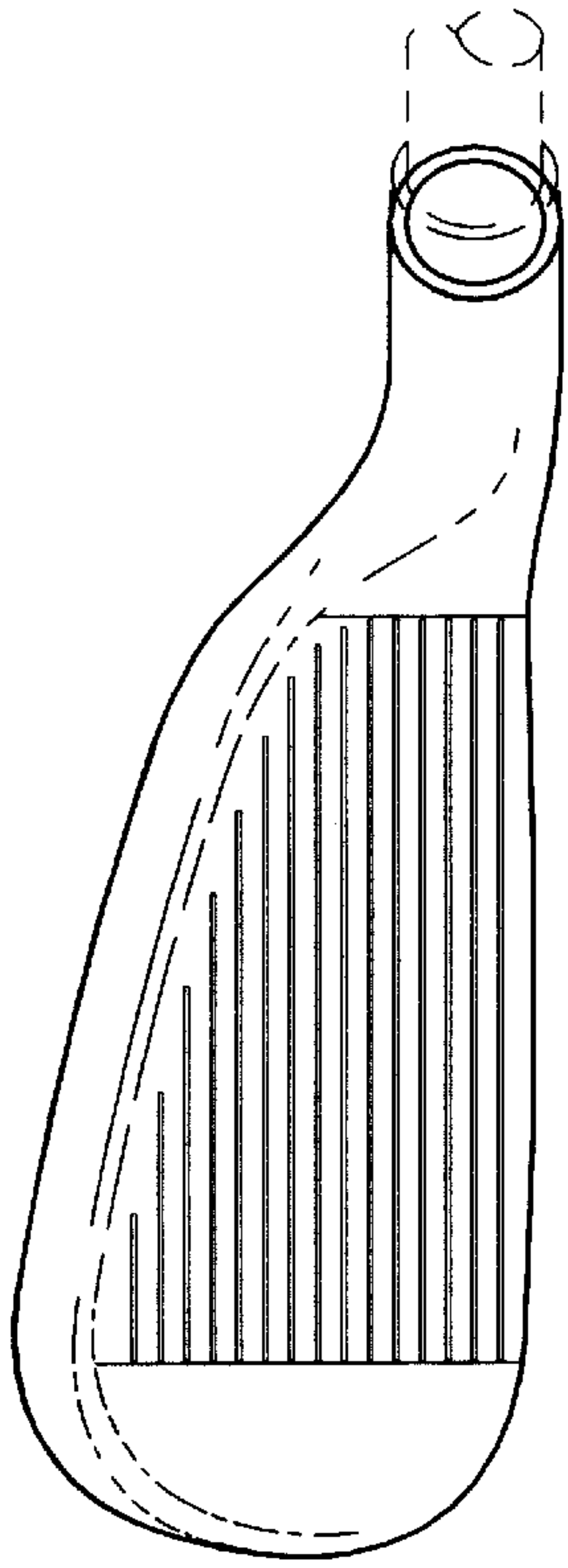


FIG. 45

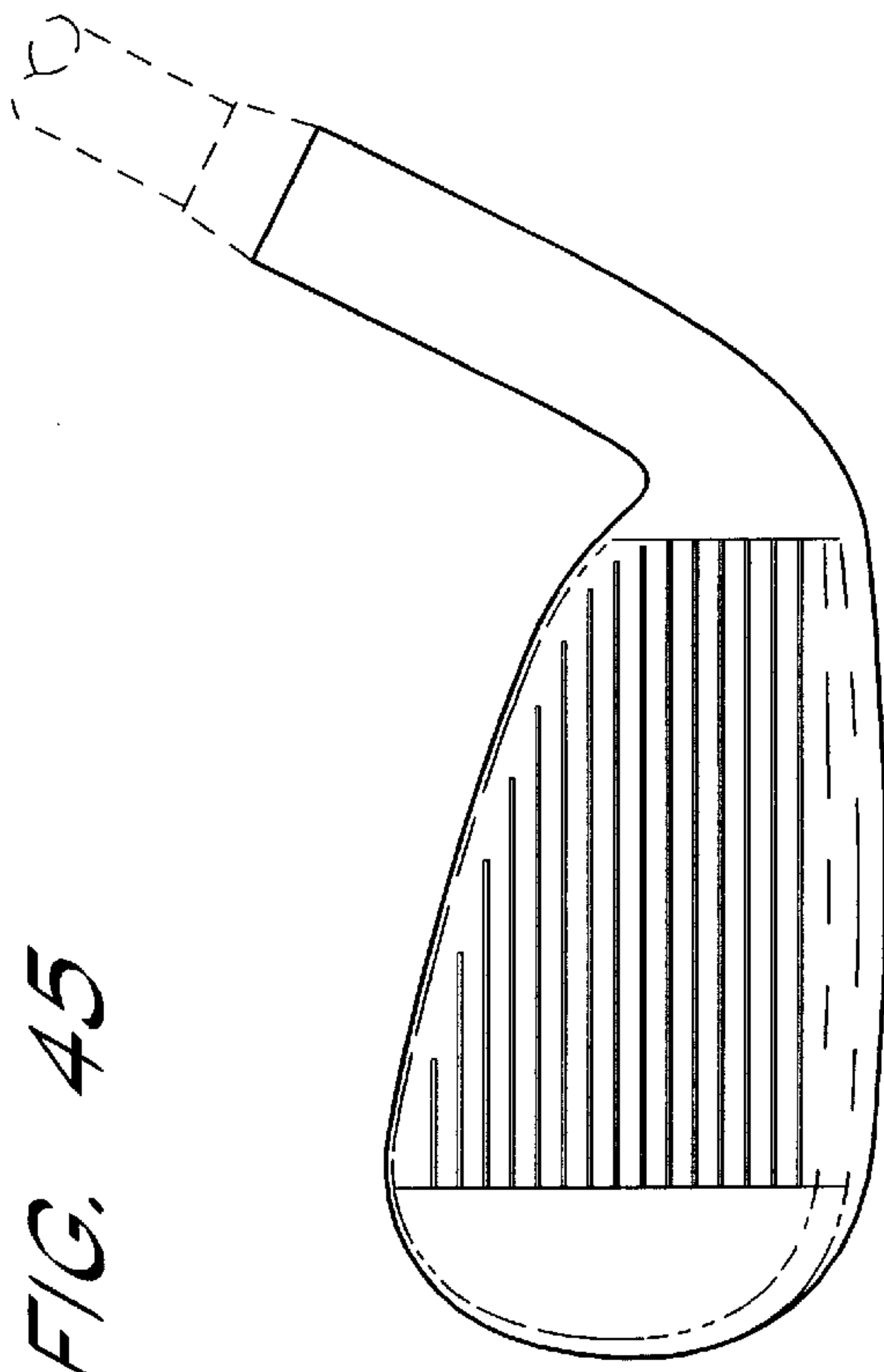


FIG. 46

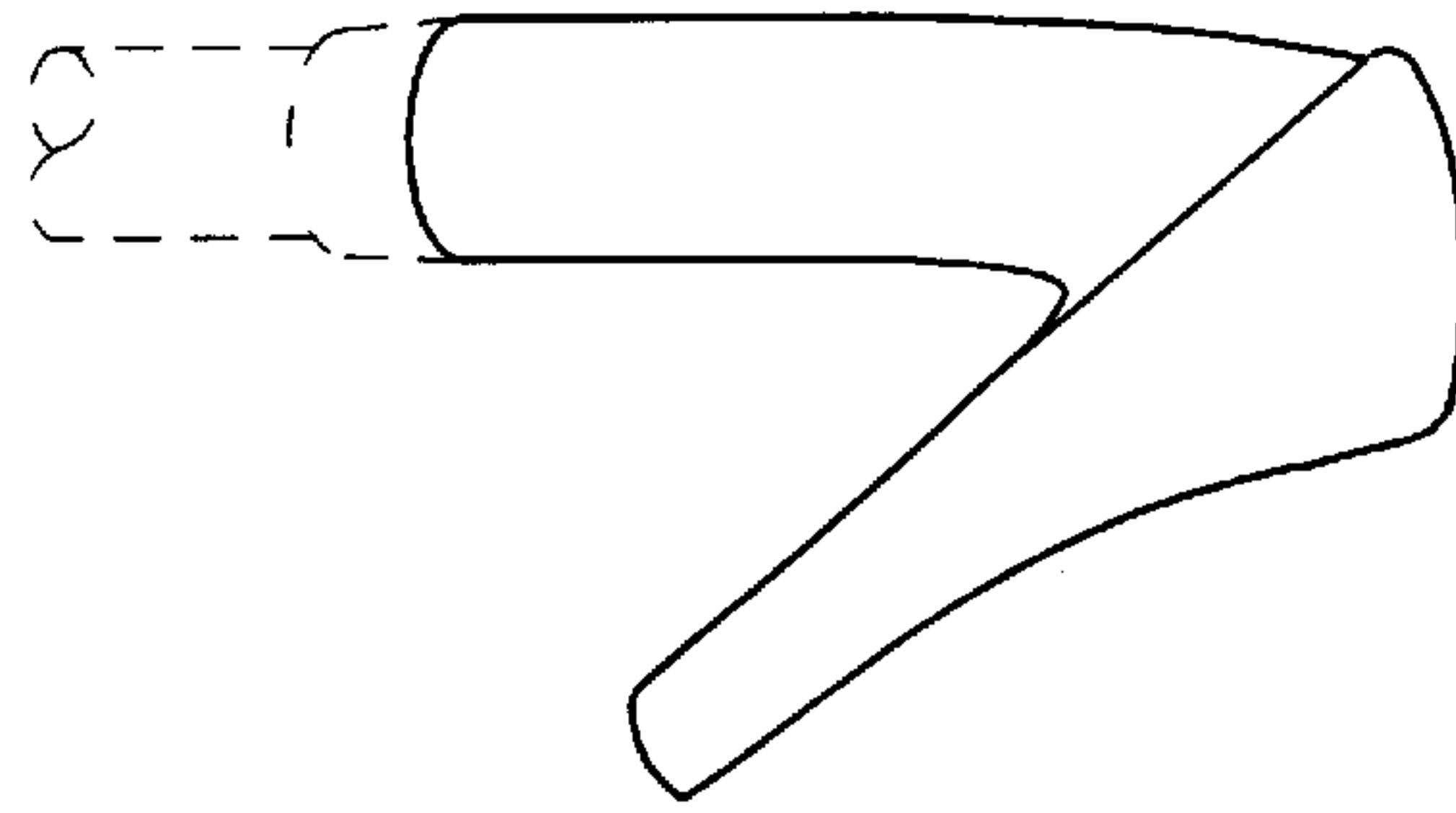


FIG. 48

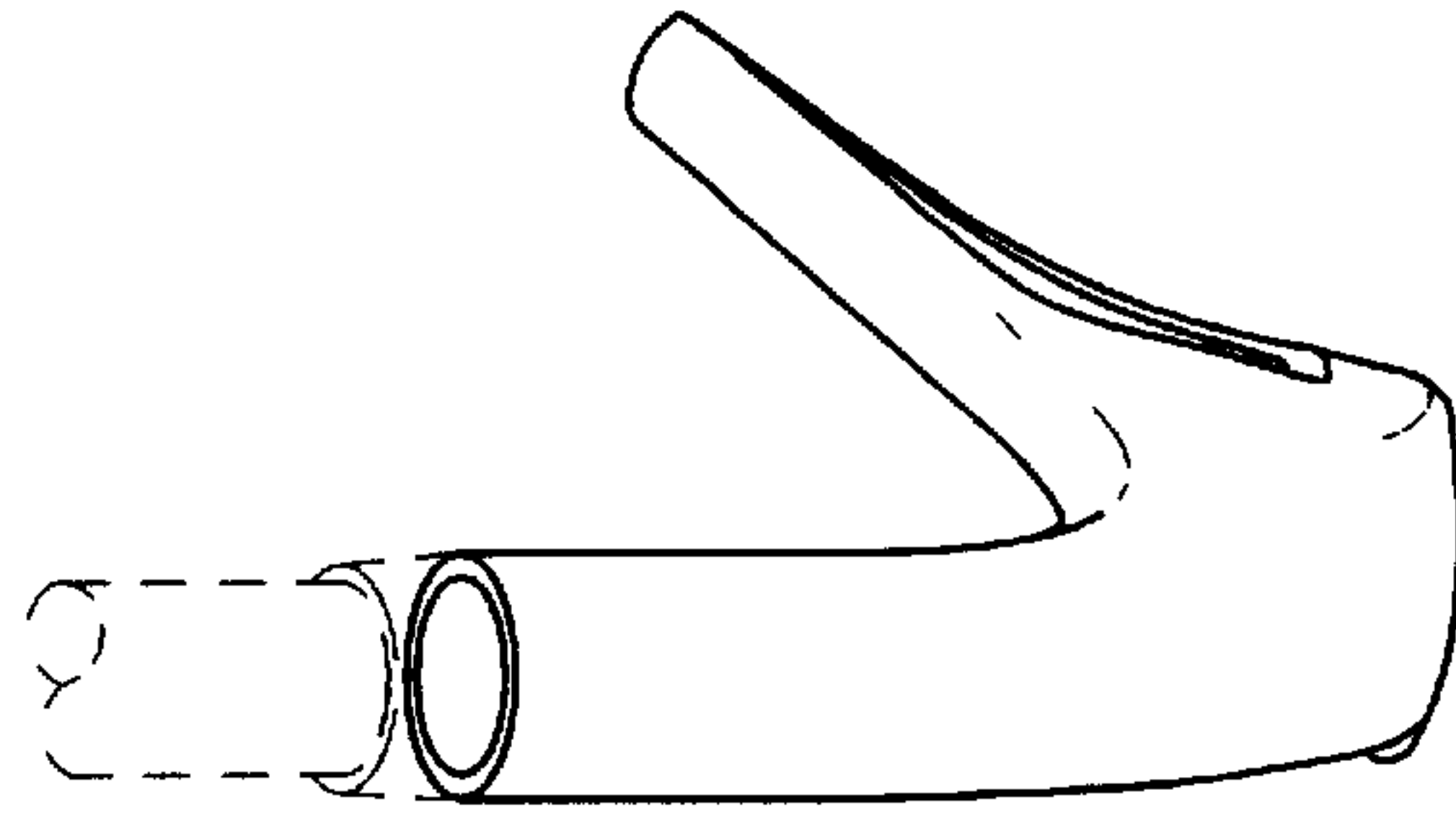


FIG. 49

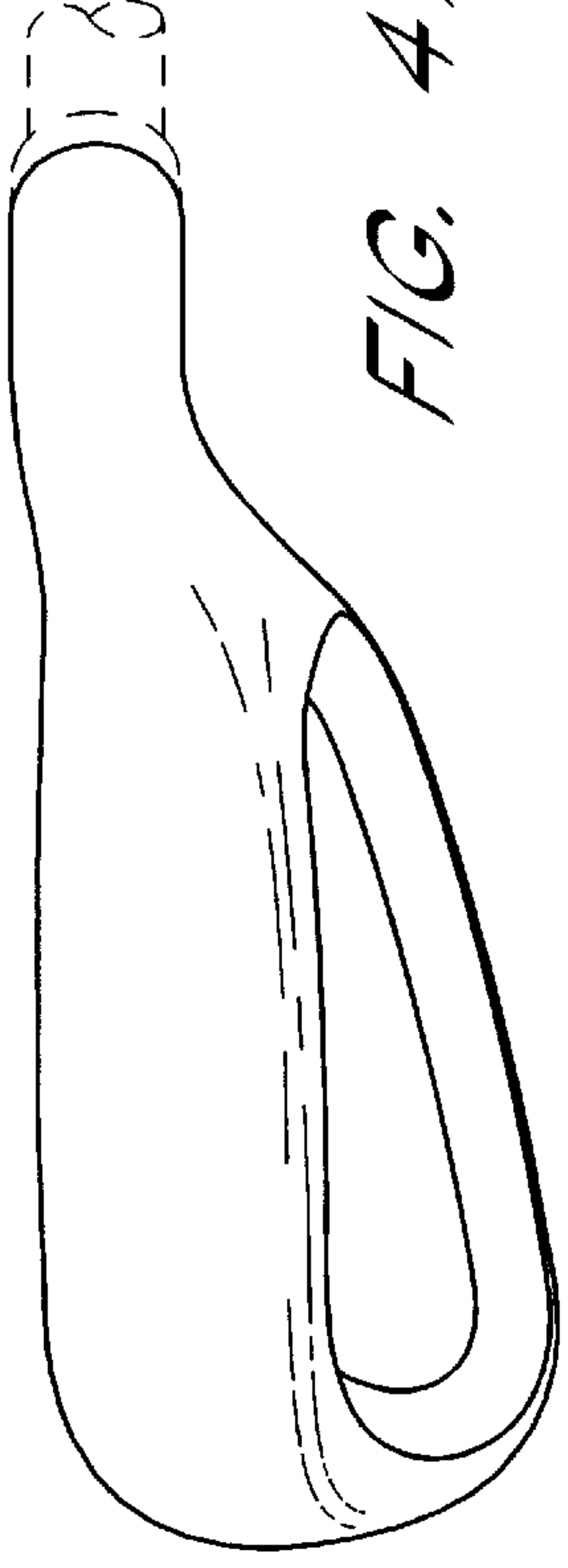


FIG. 47

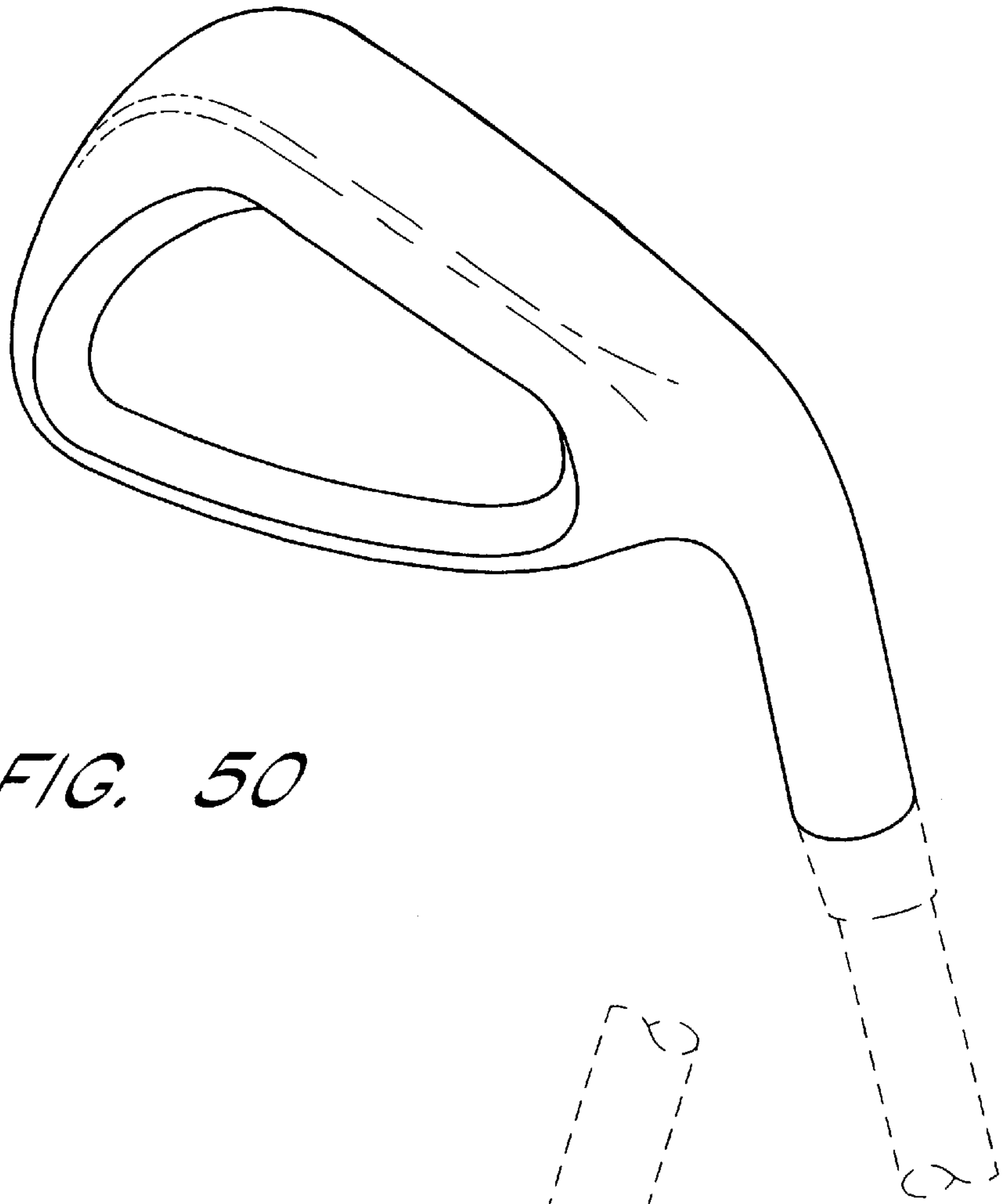


FIG. 50

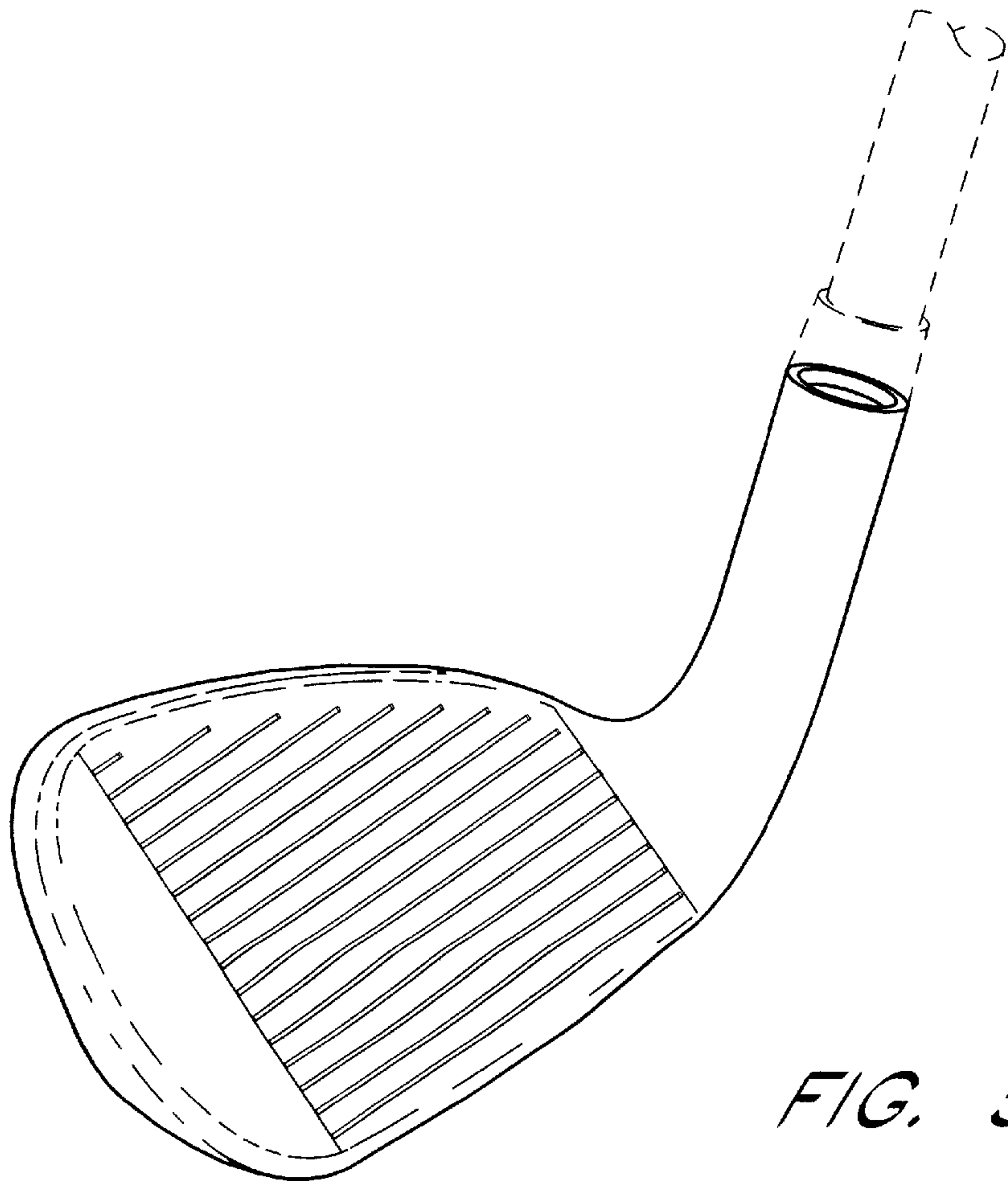


FIG. 51

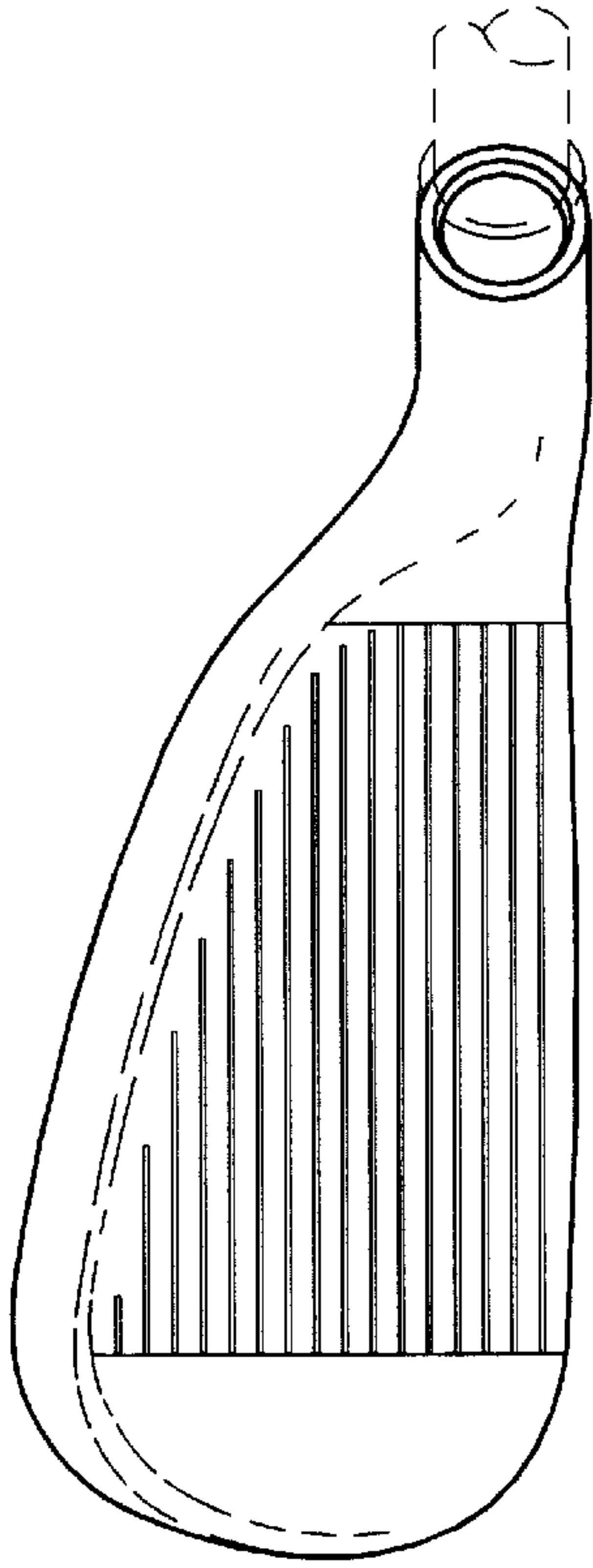


FIG. 52

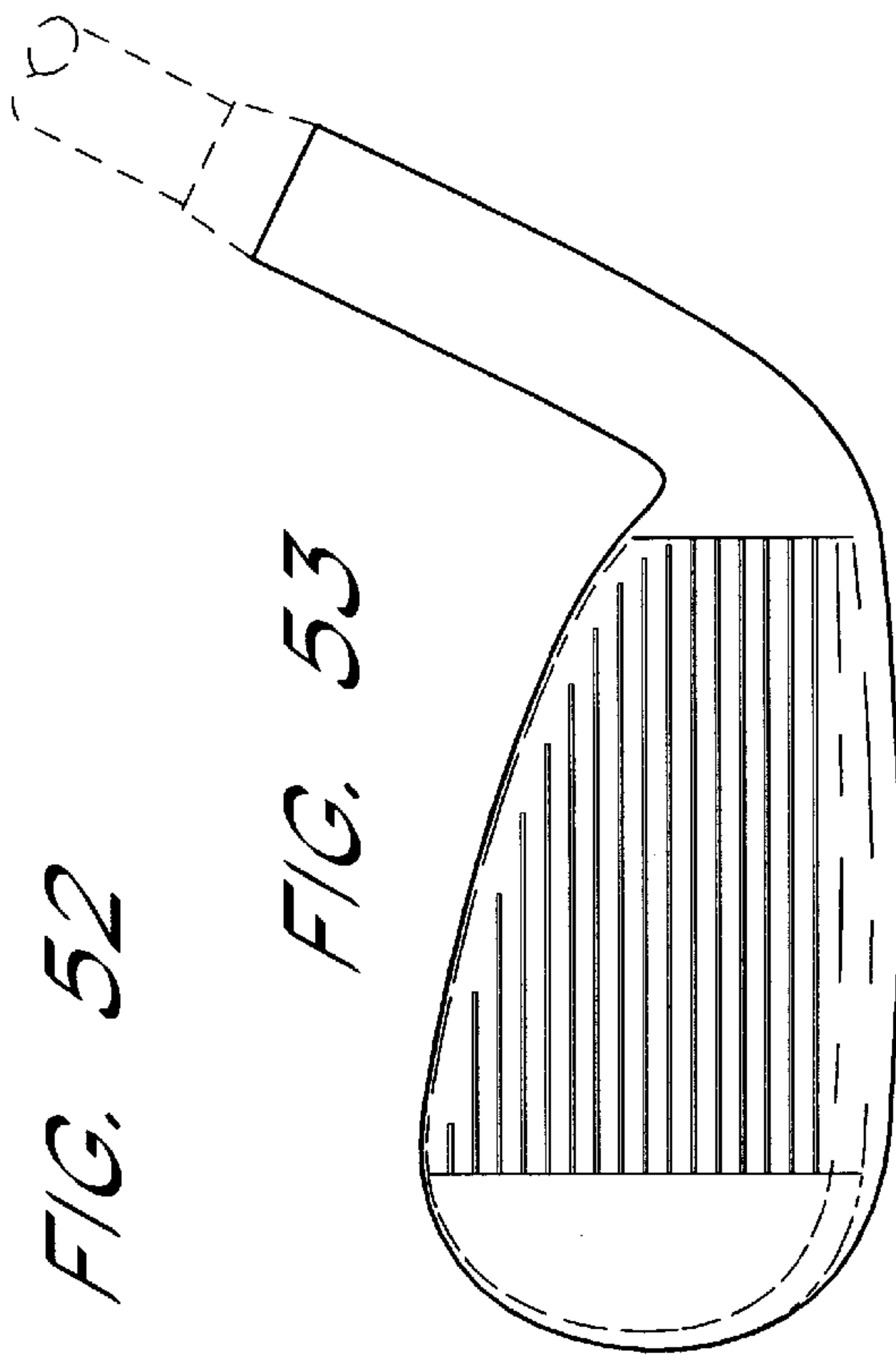


FIG. 53

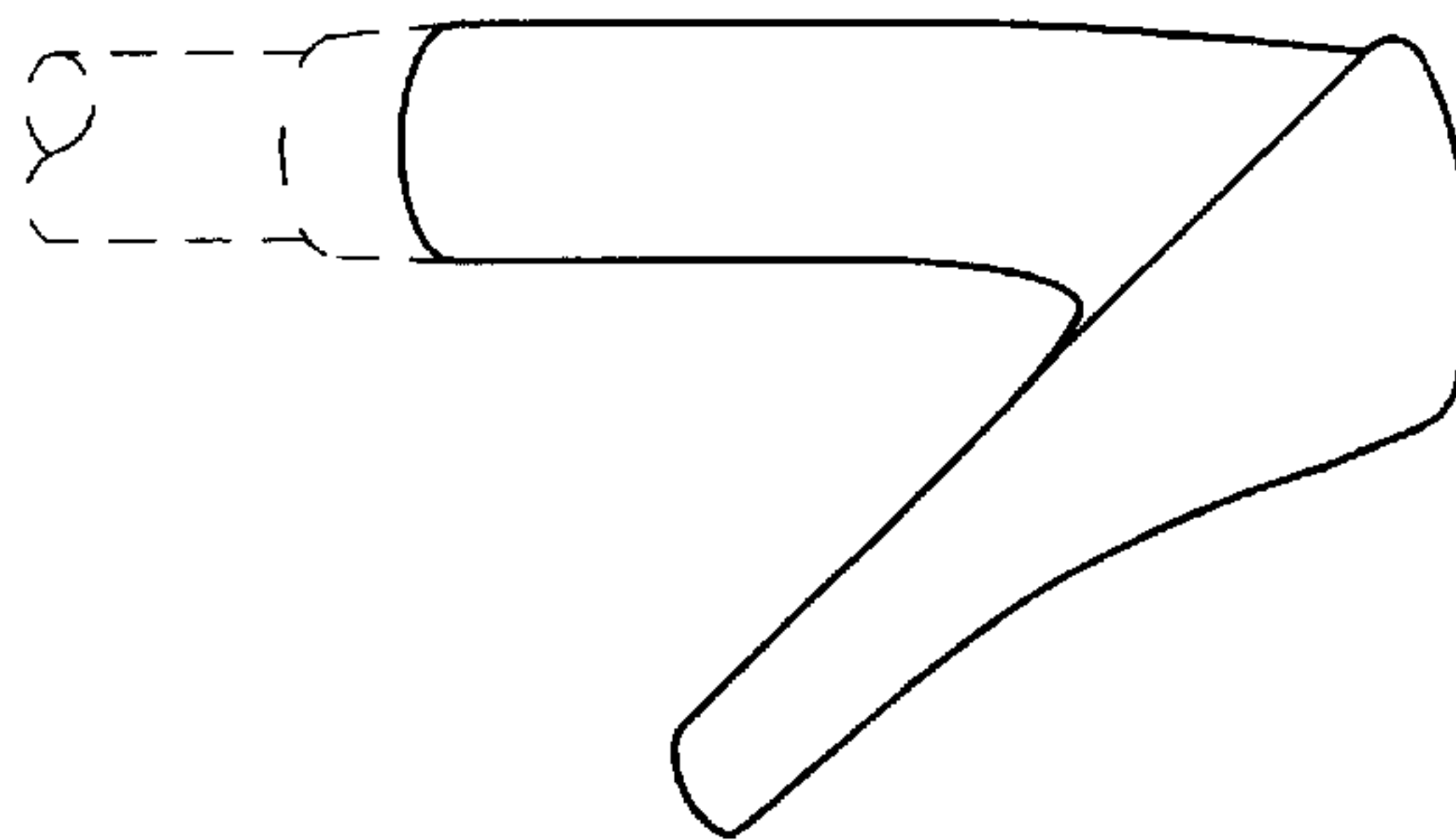


FIG. 55

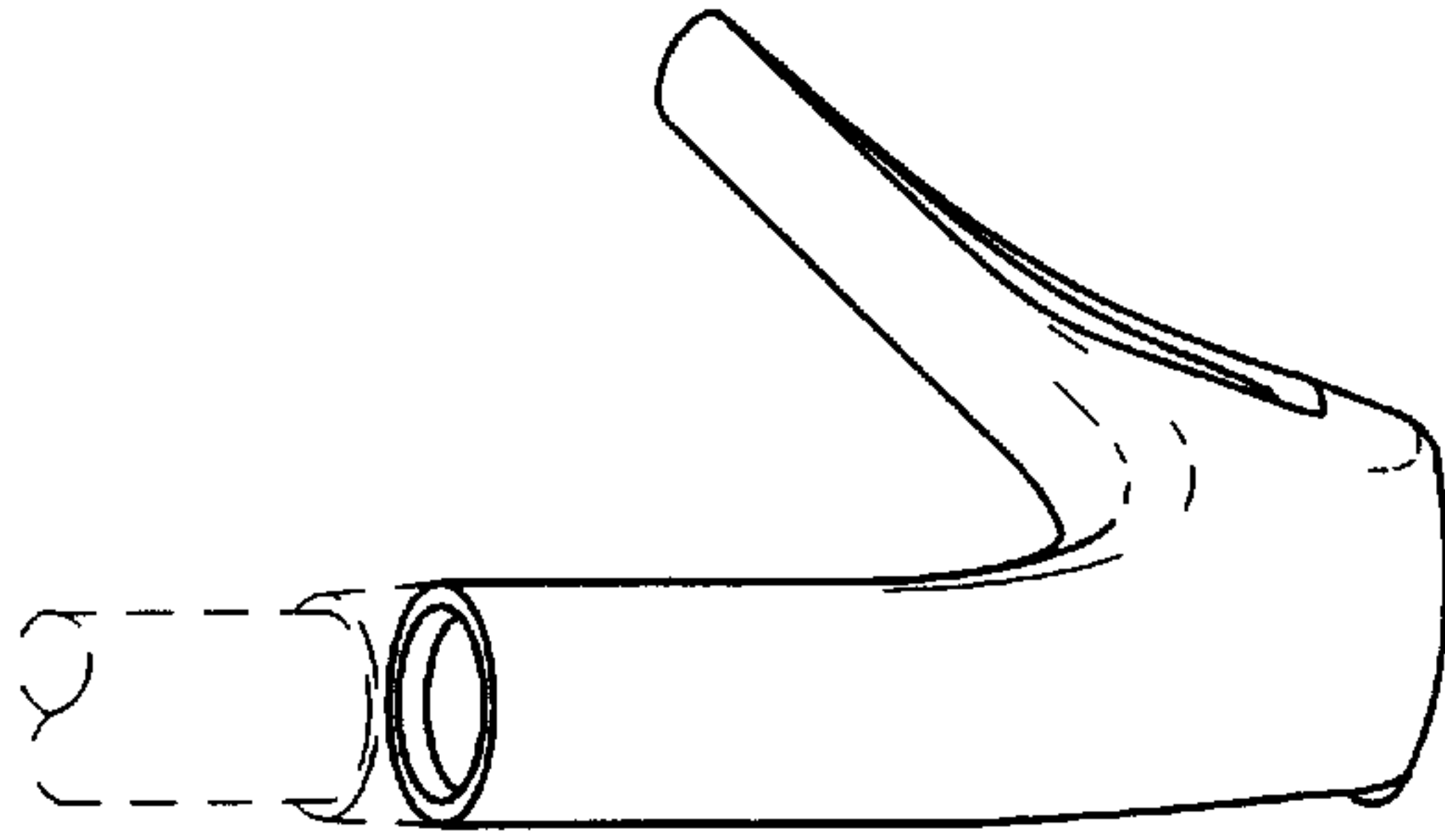


FIG. 56



FIG. 54

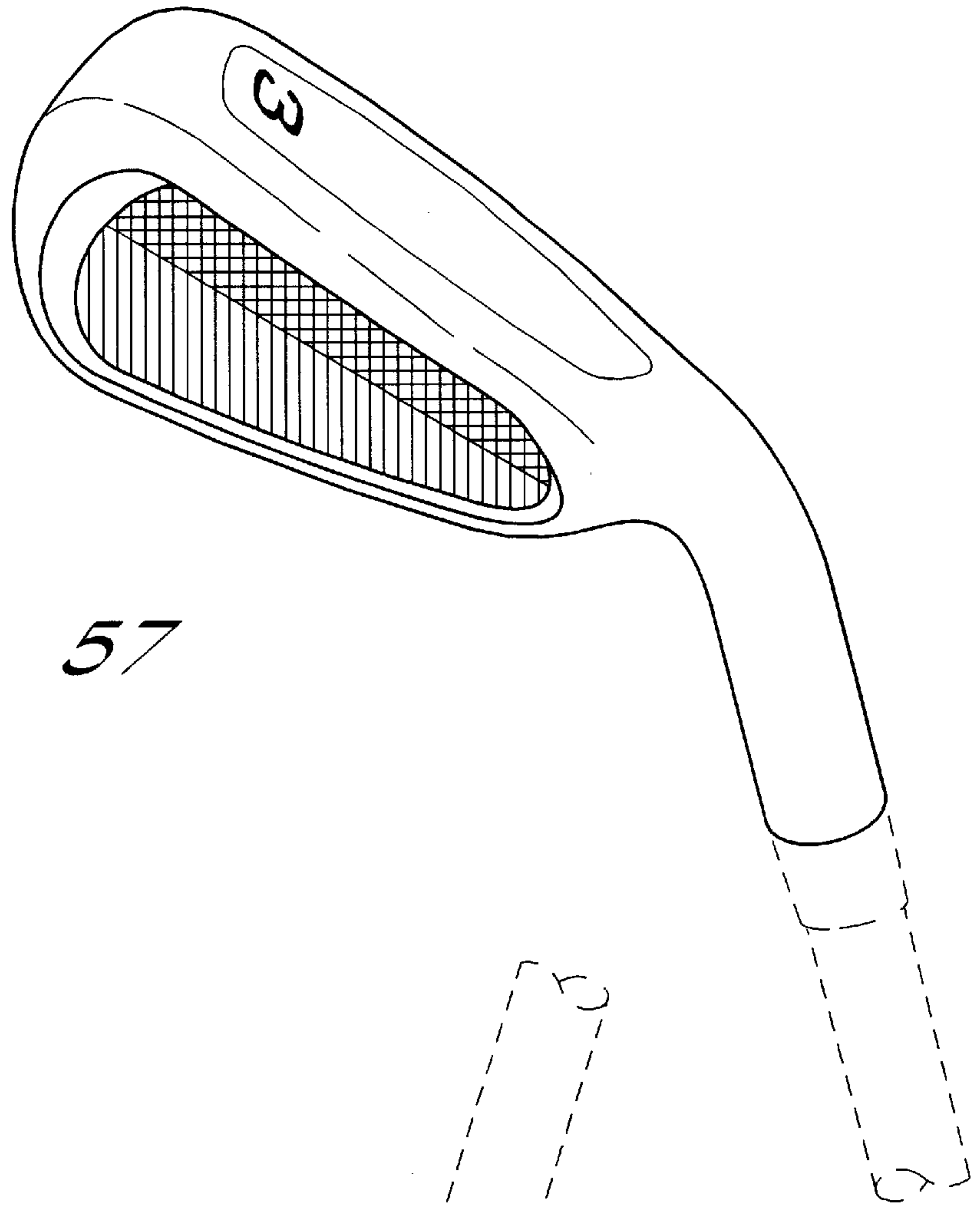


FIG. 57

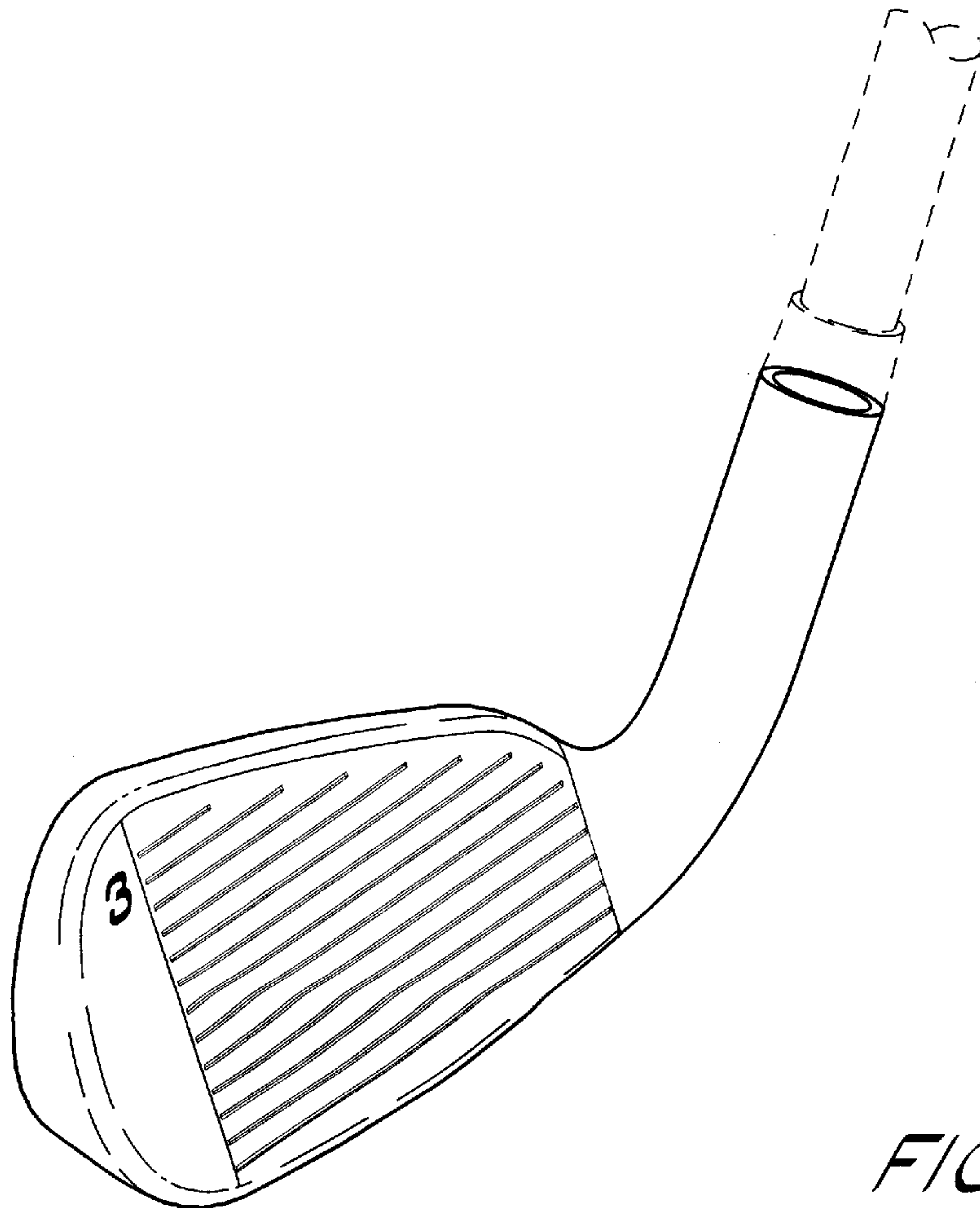


FIG. 58

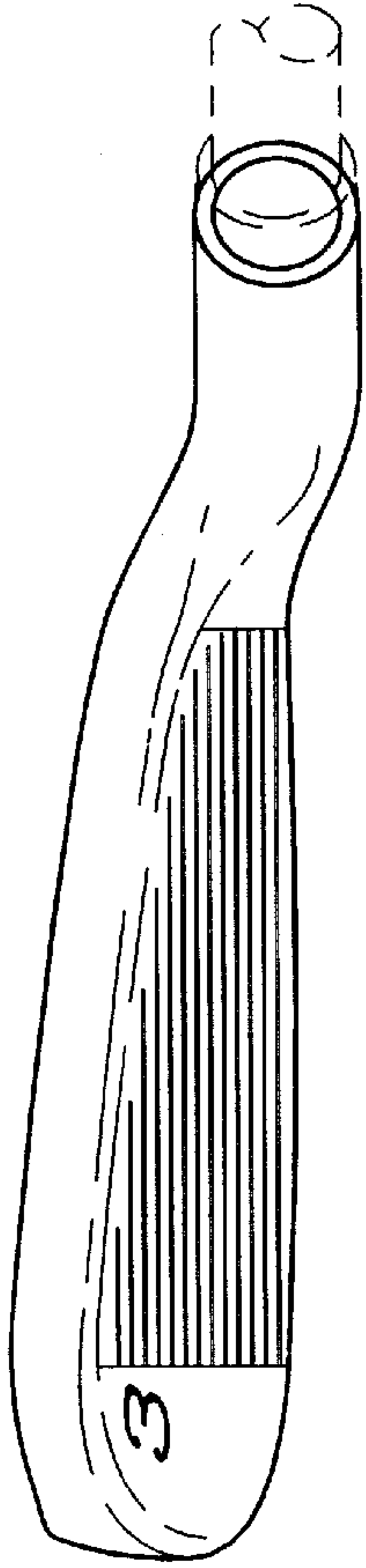


FIG. 59

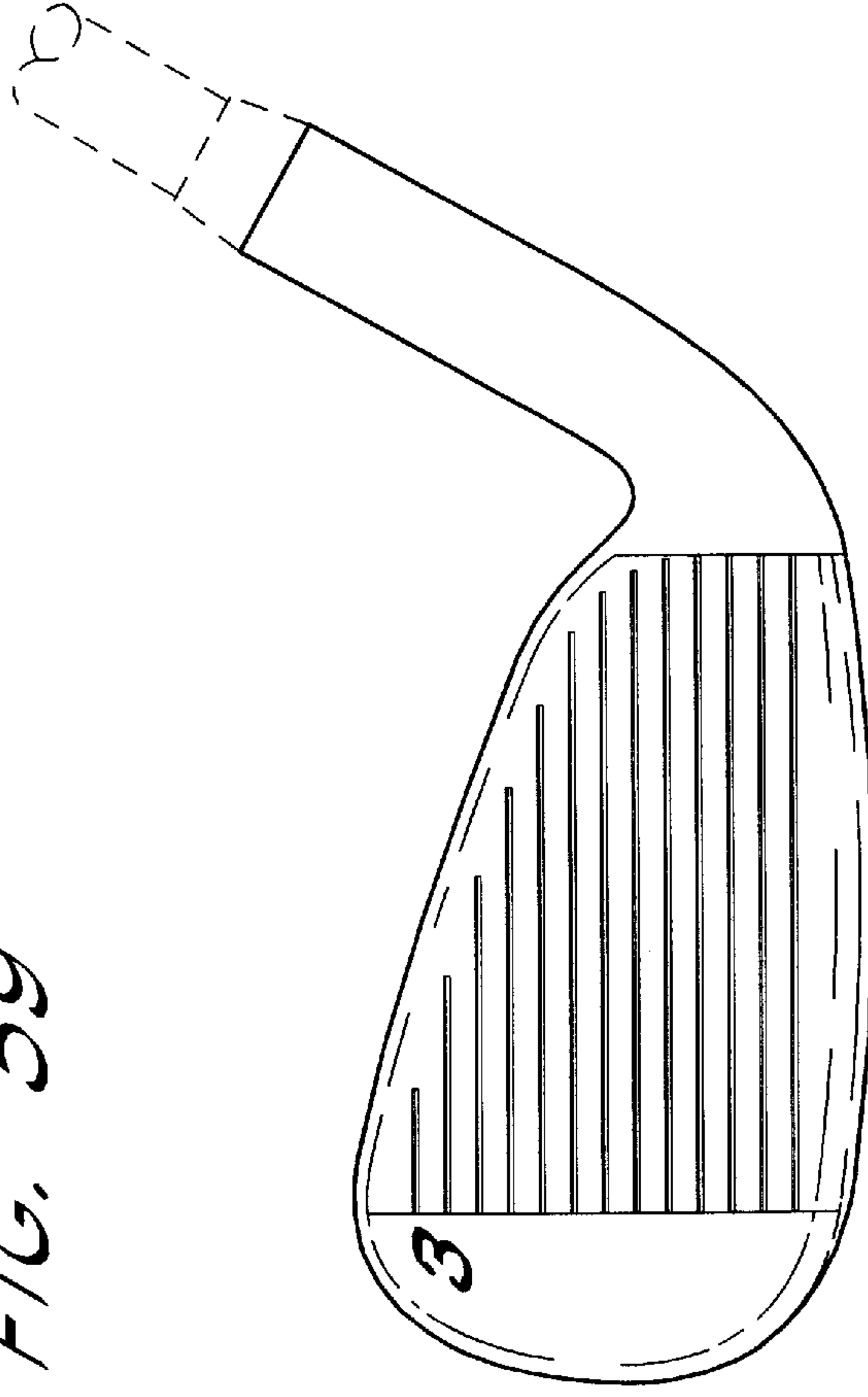


FIG. 60

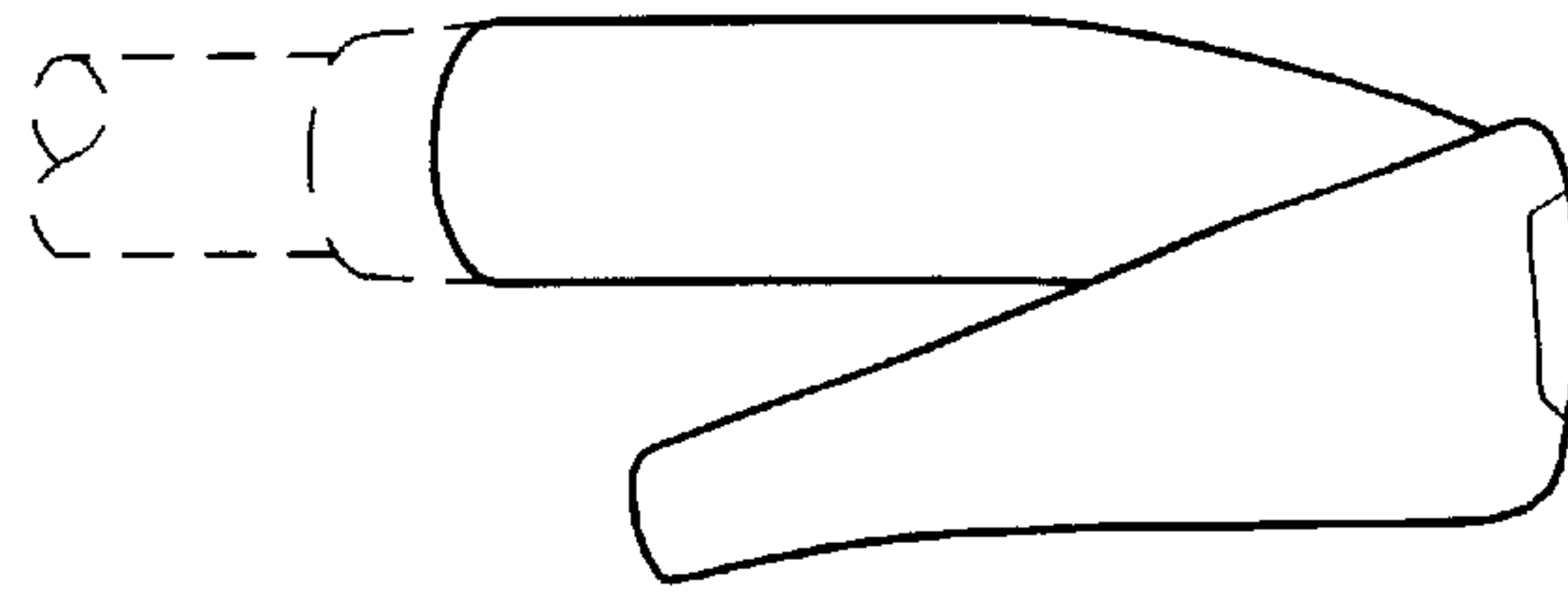


FIG. 62

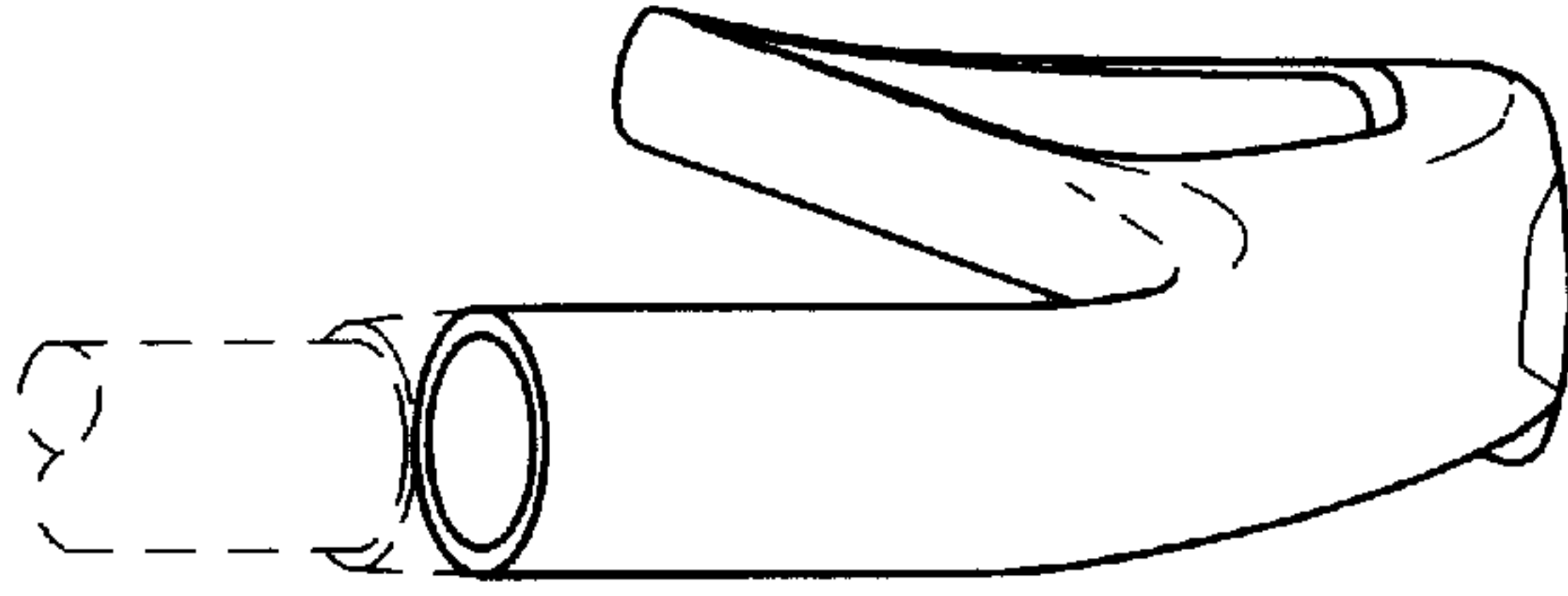


FIG. 63

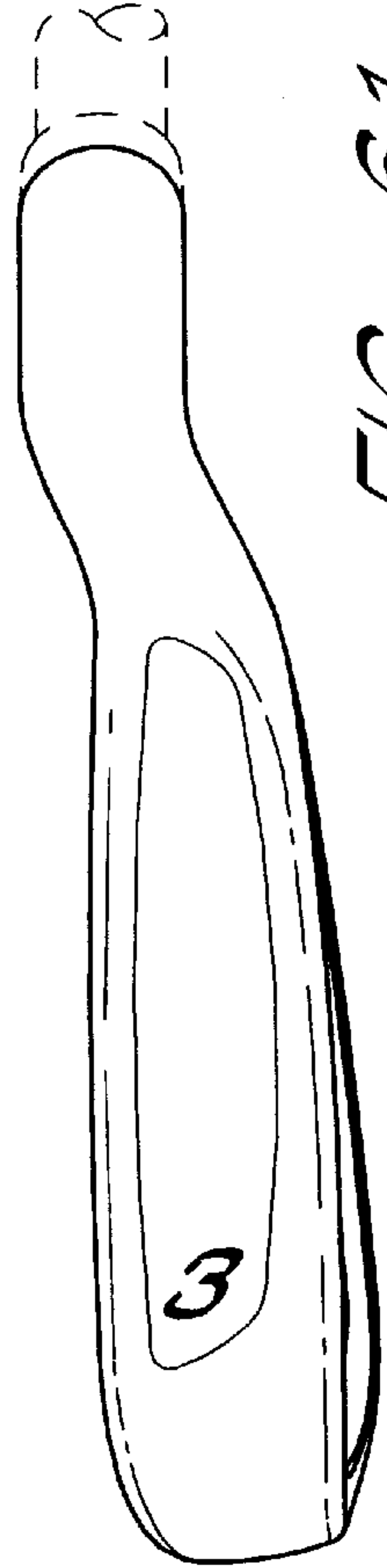


FIG. 61

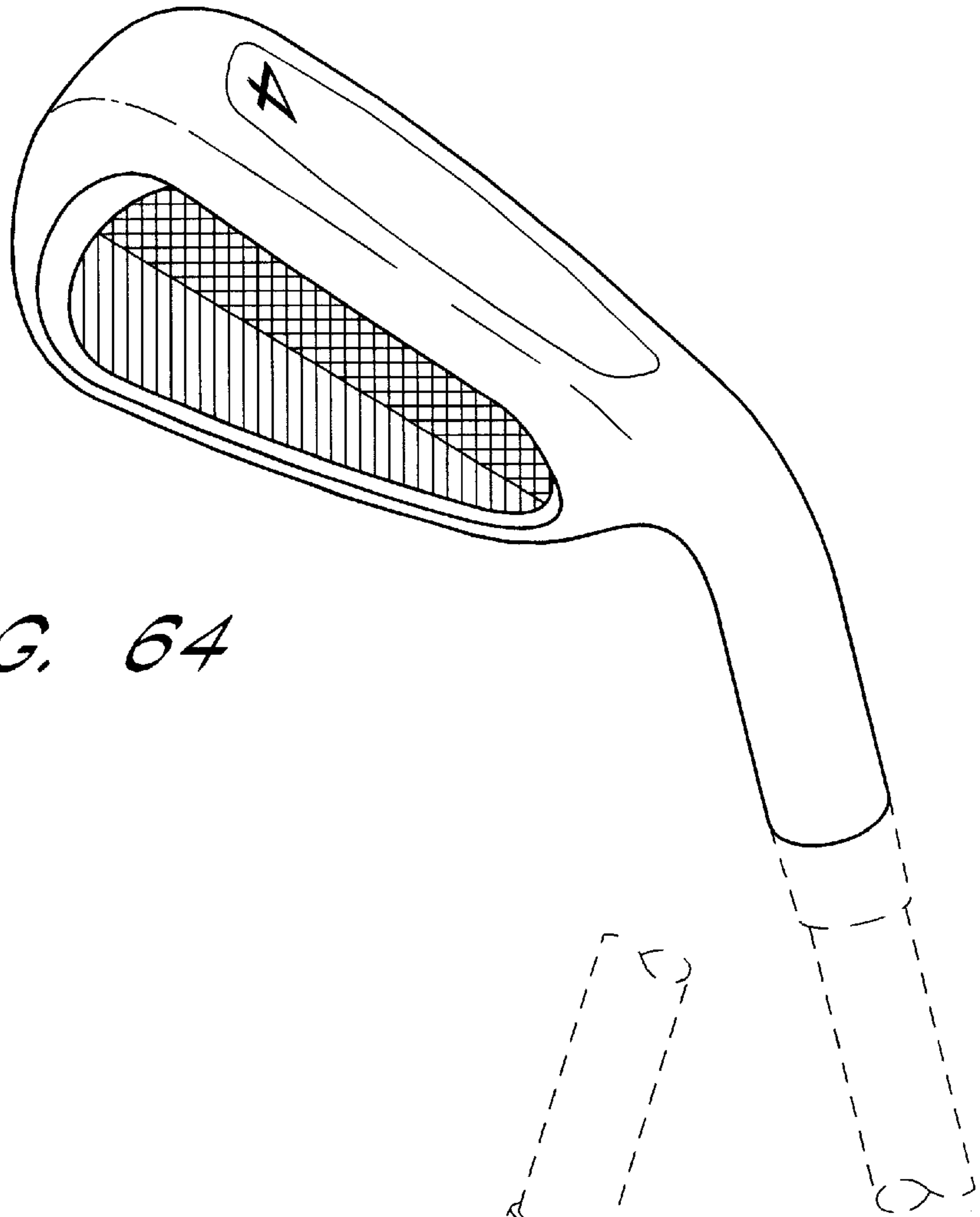


FIG. 64

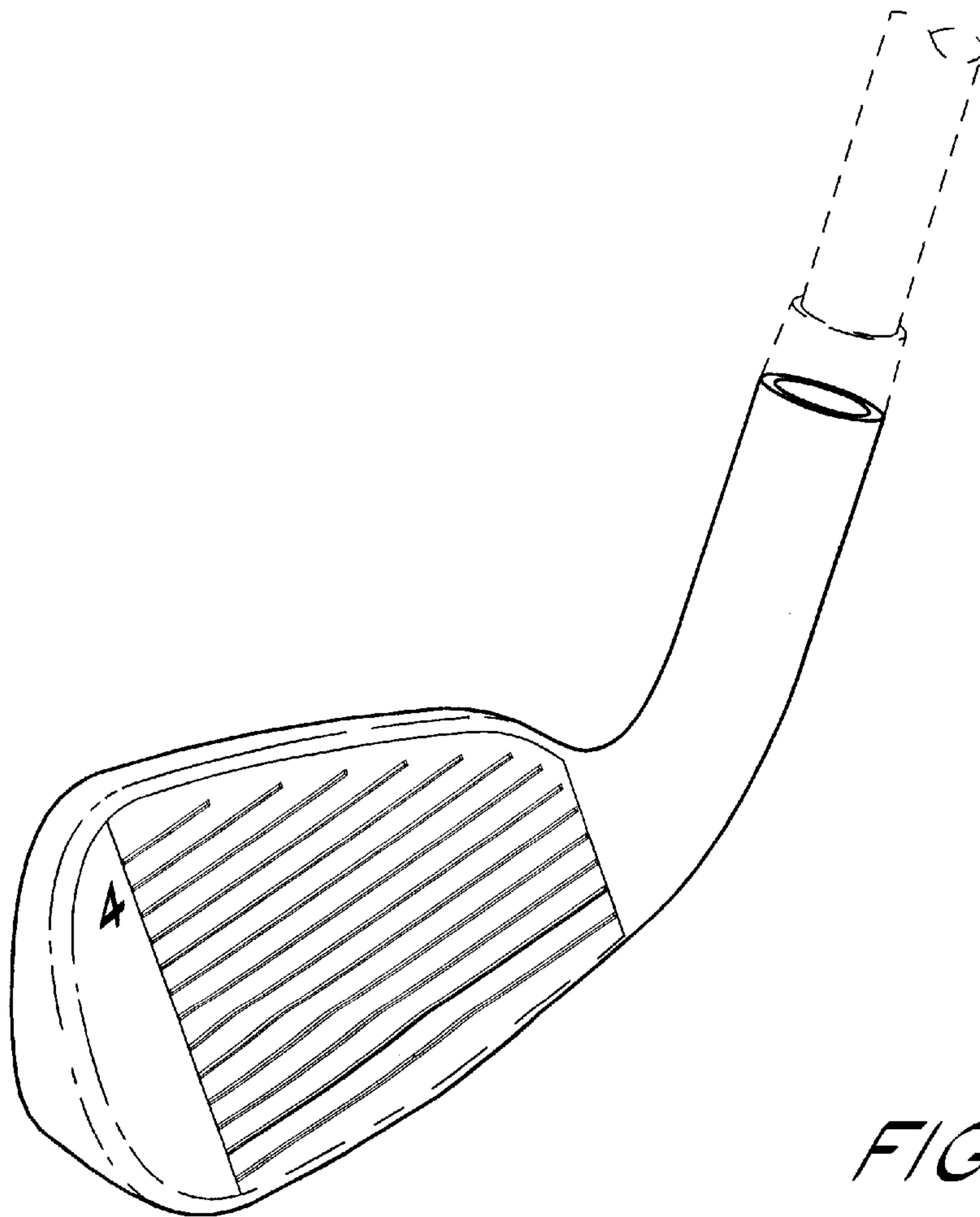


FIG. 65

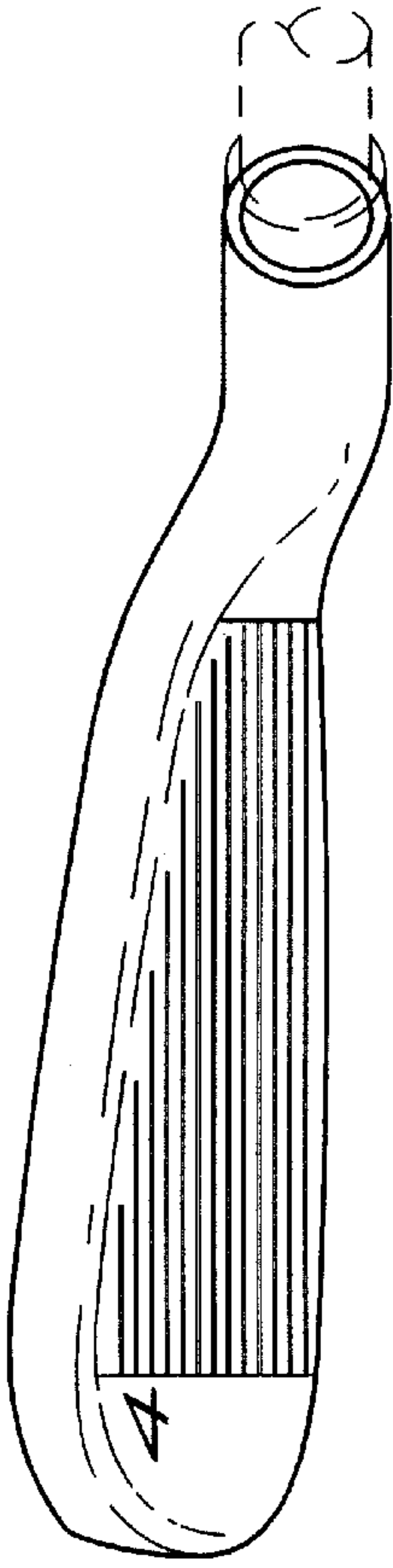


FIG. 66

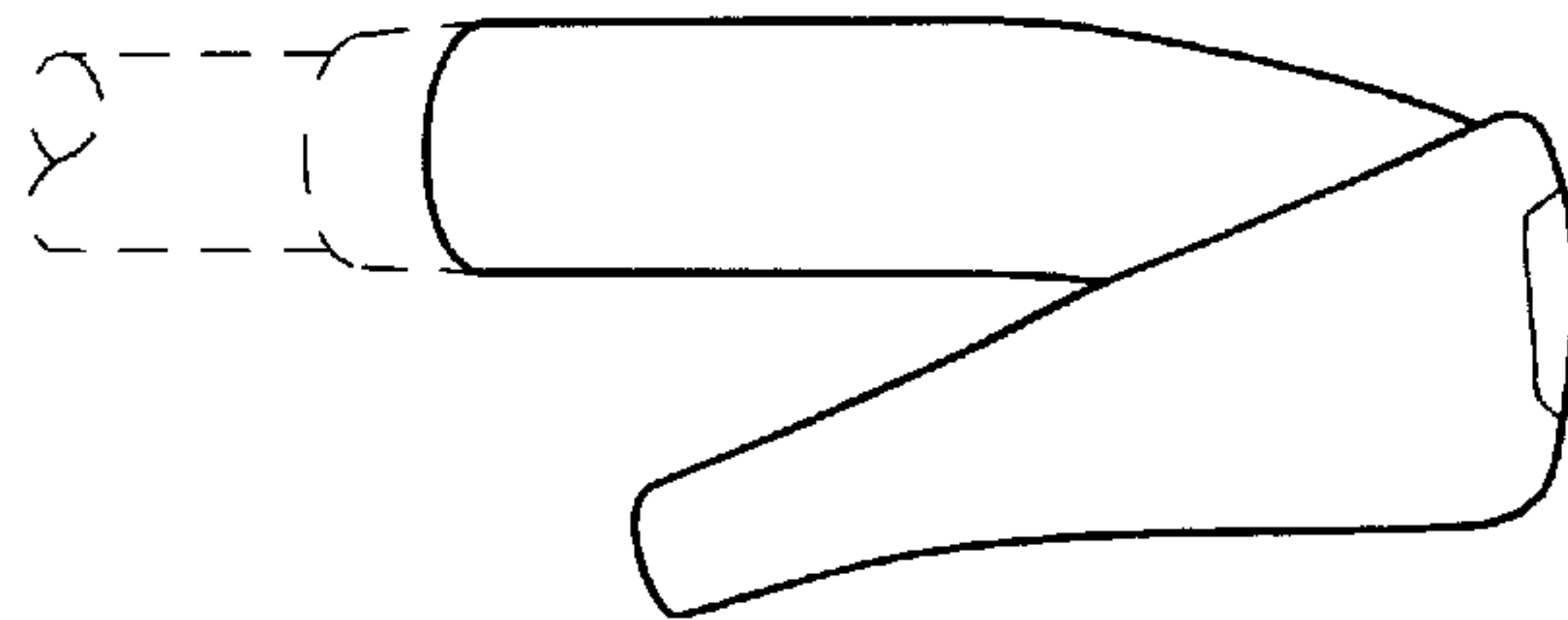


FIG. 69

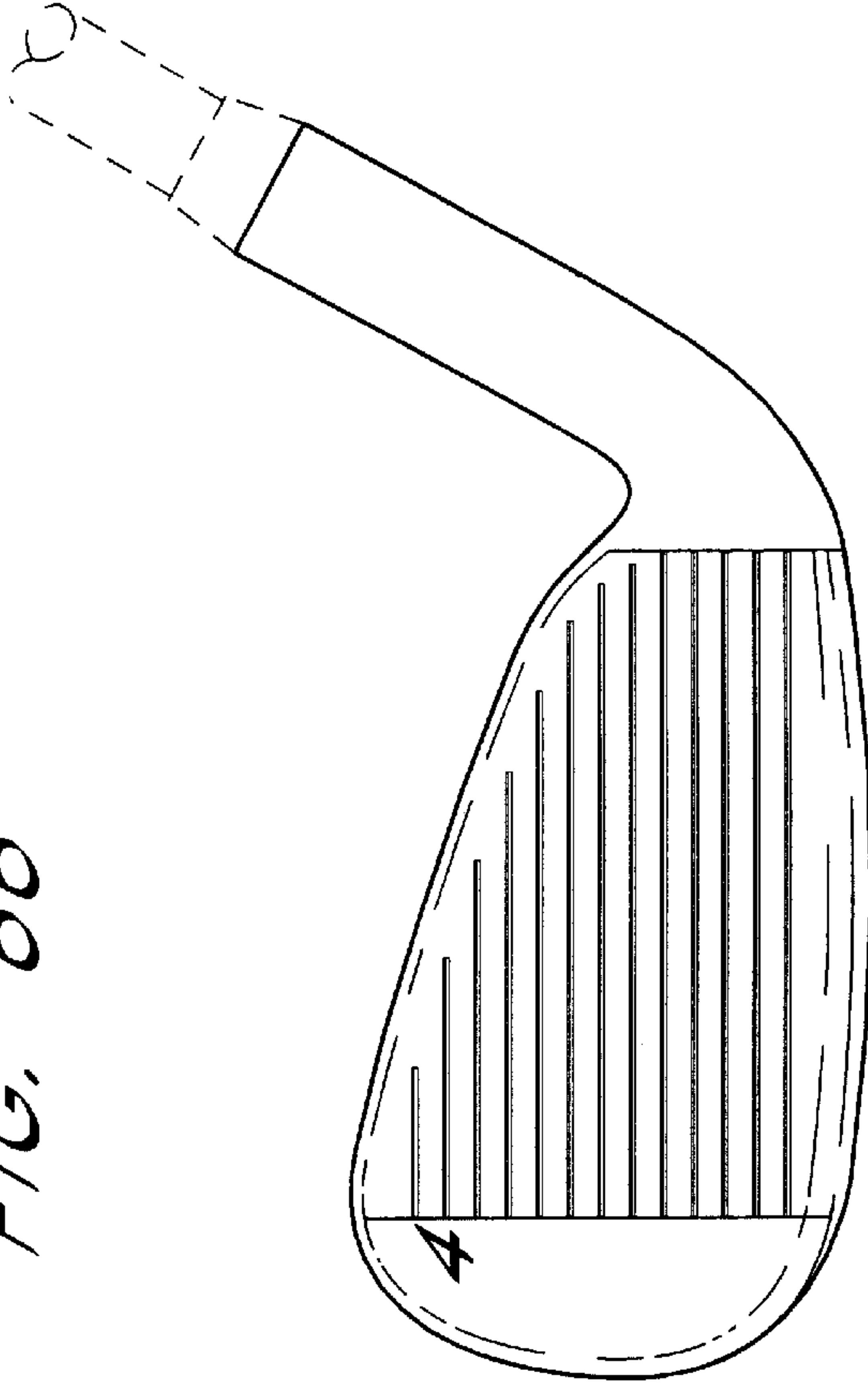


FIG. 67

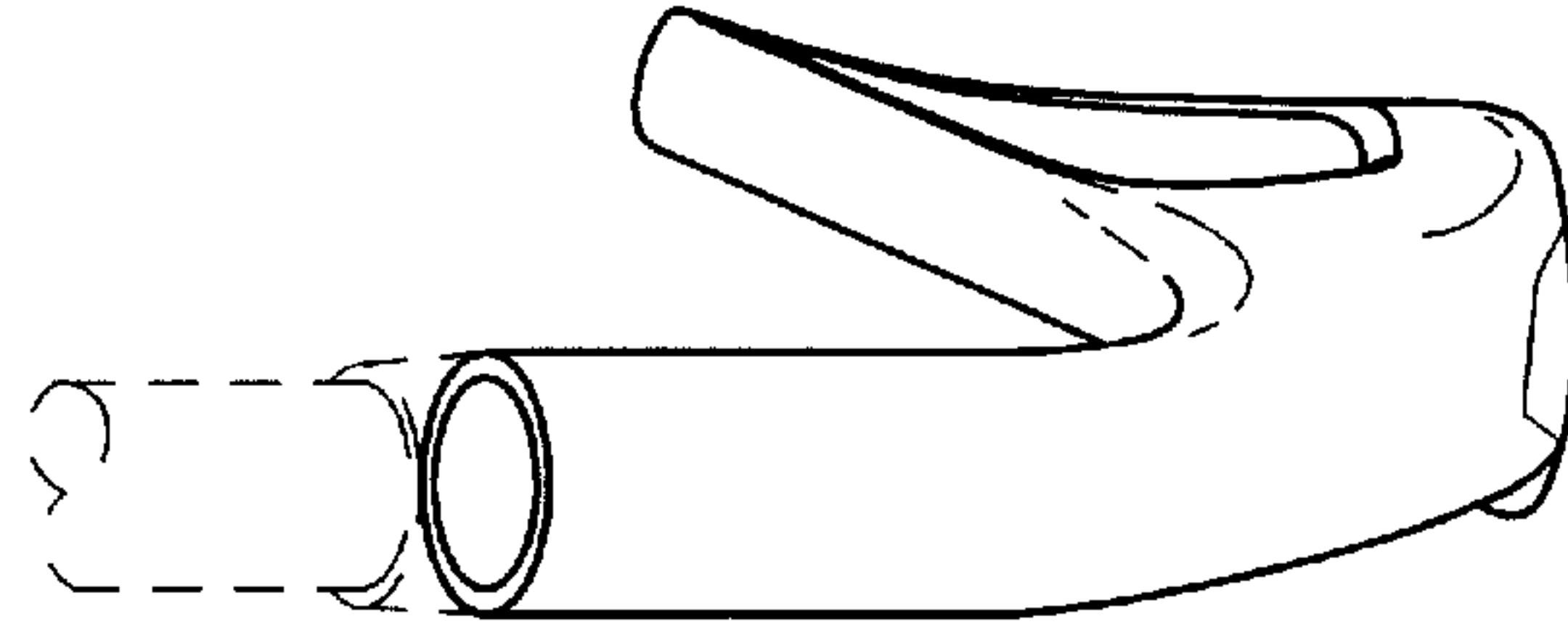


FIG. 70

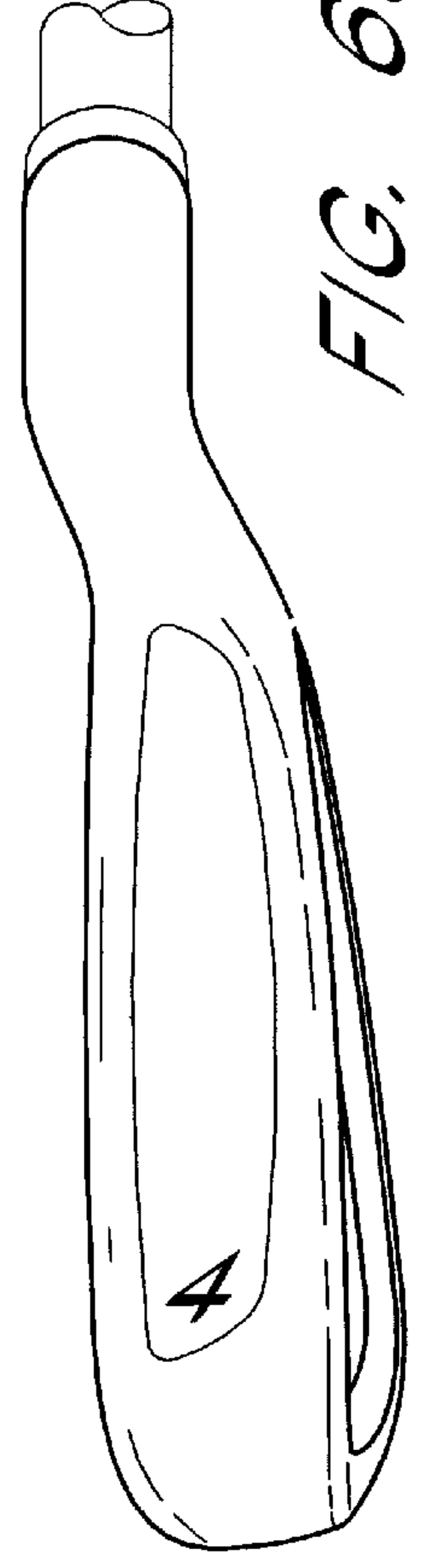


FIG. 68

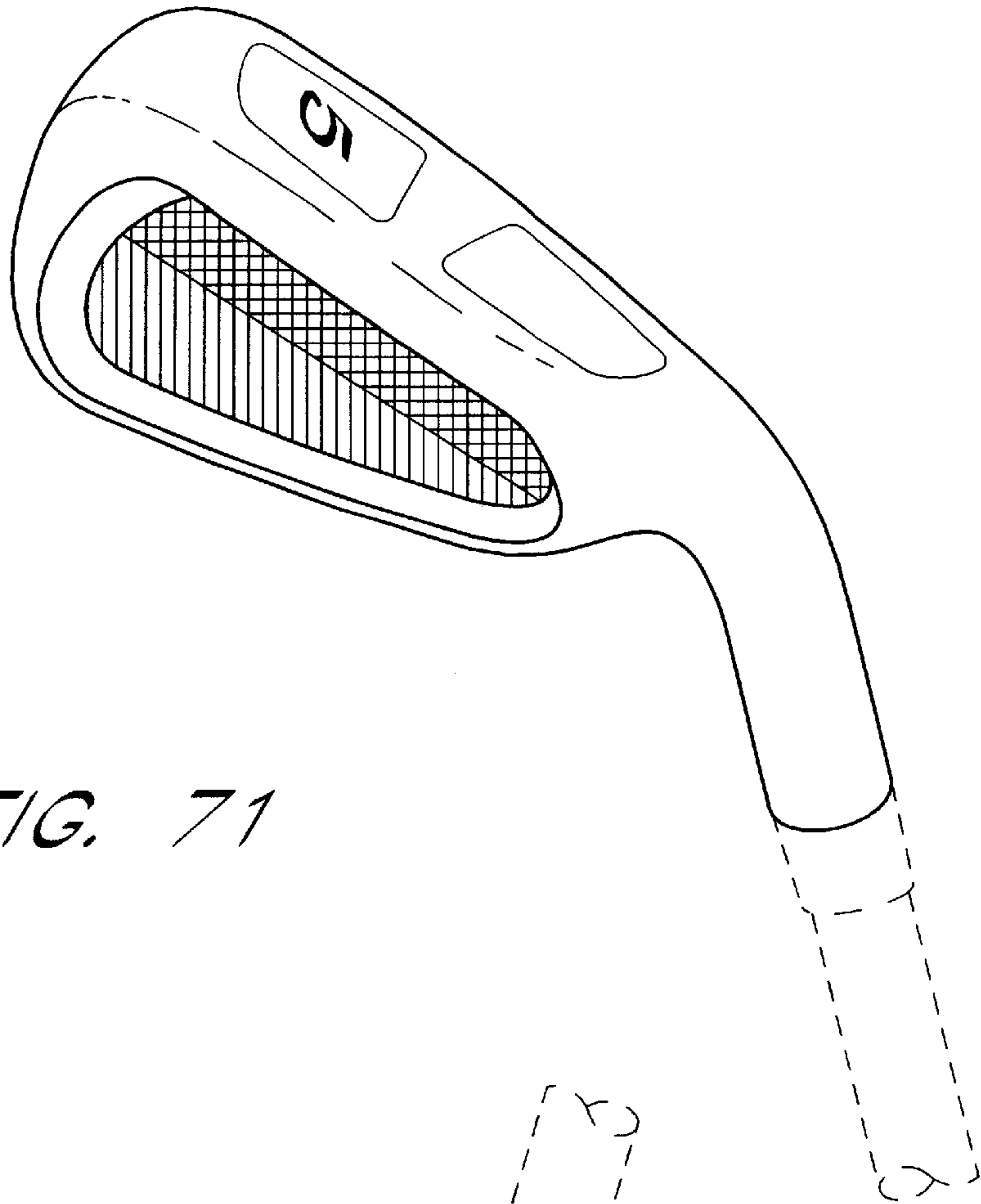


FIG. 71

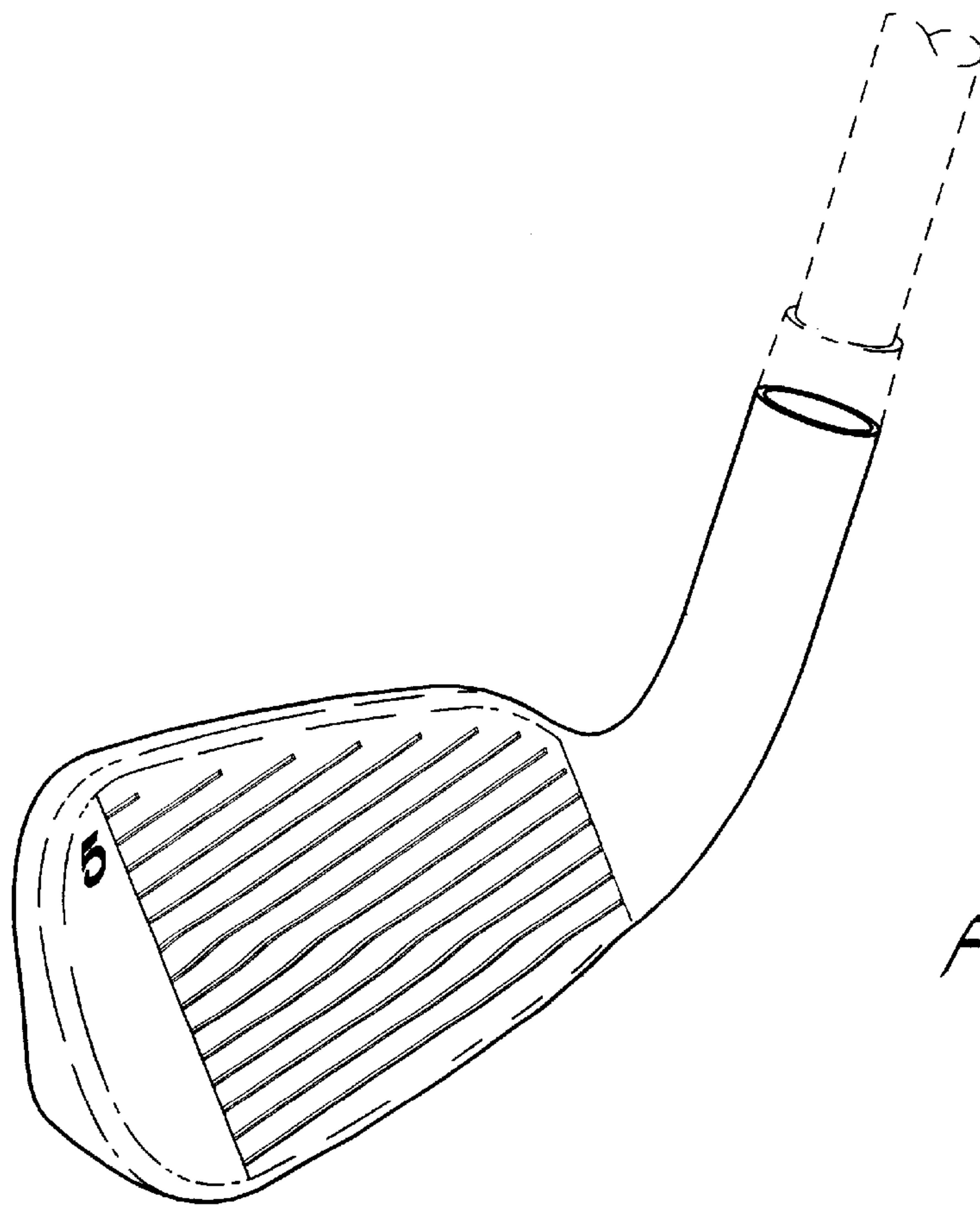


FIG. 72

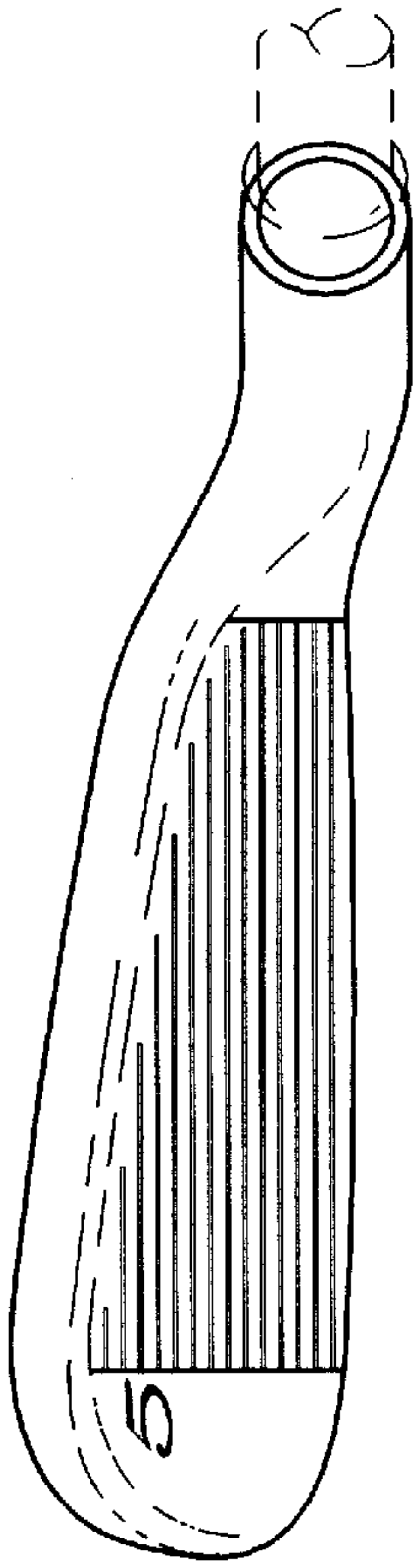


FIG. 73

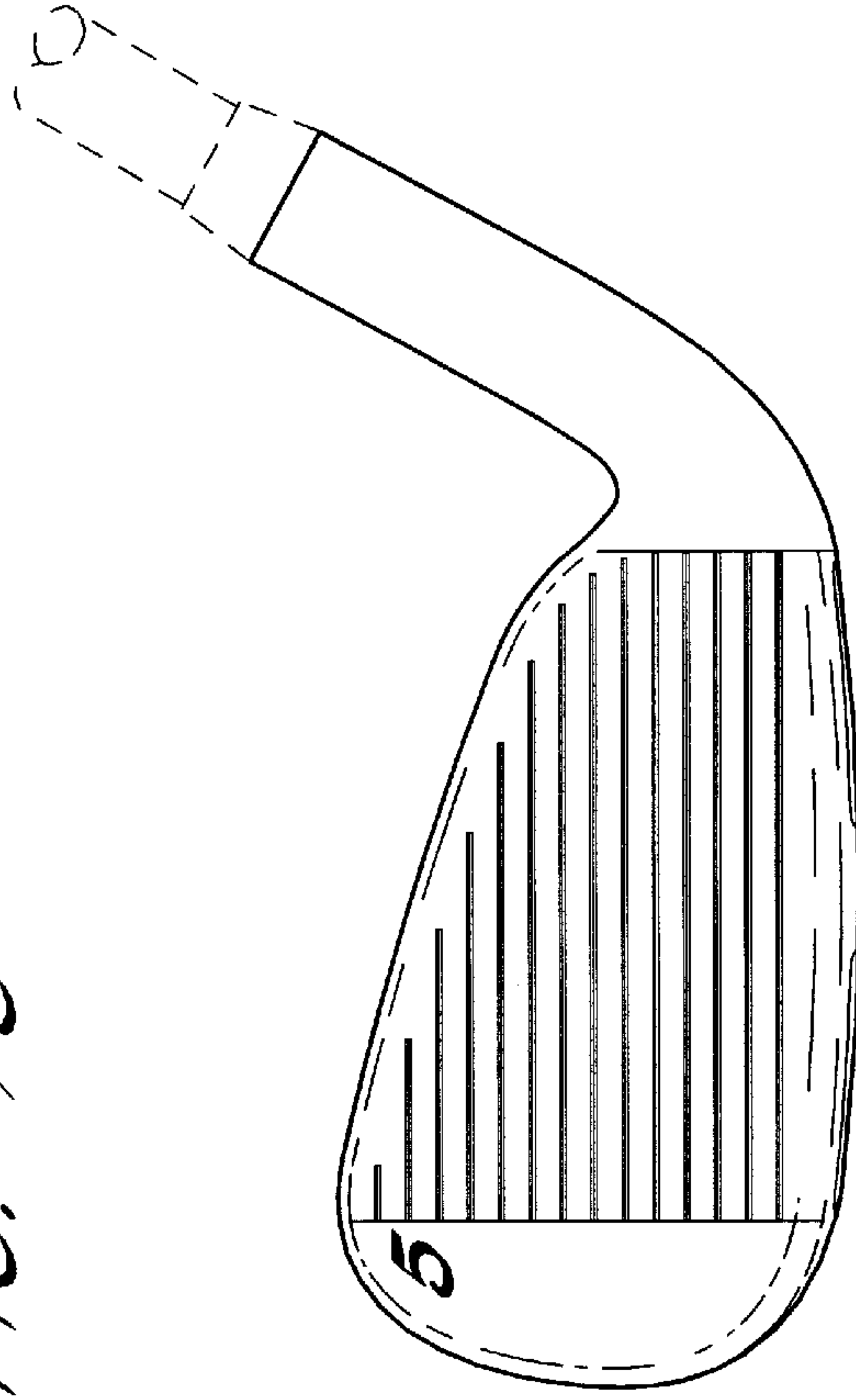


FIG. 74

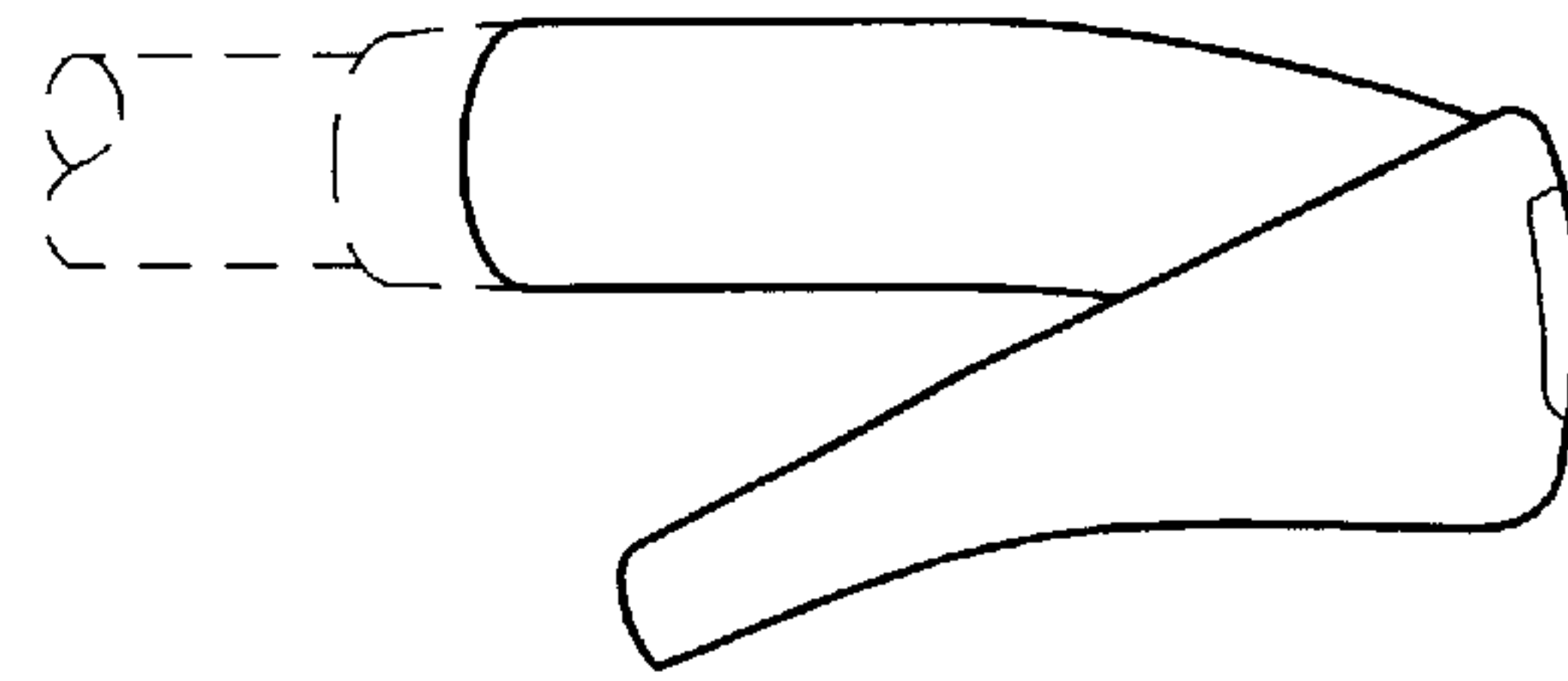


FIG. 76

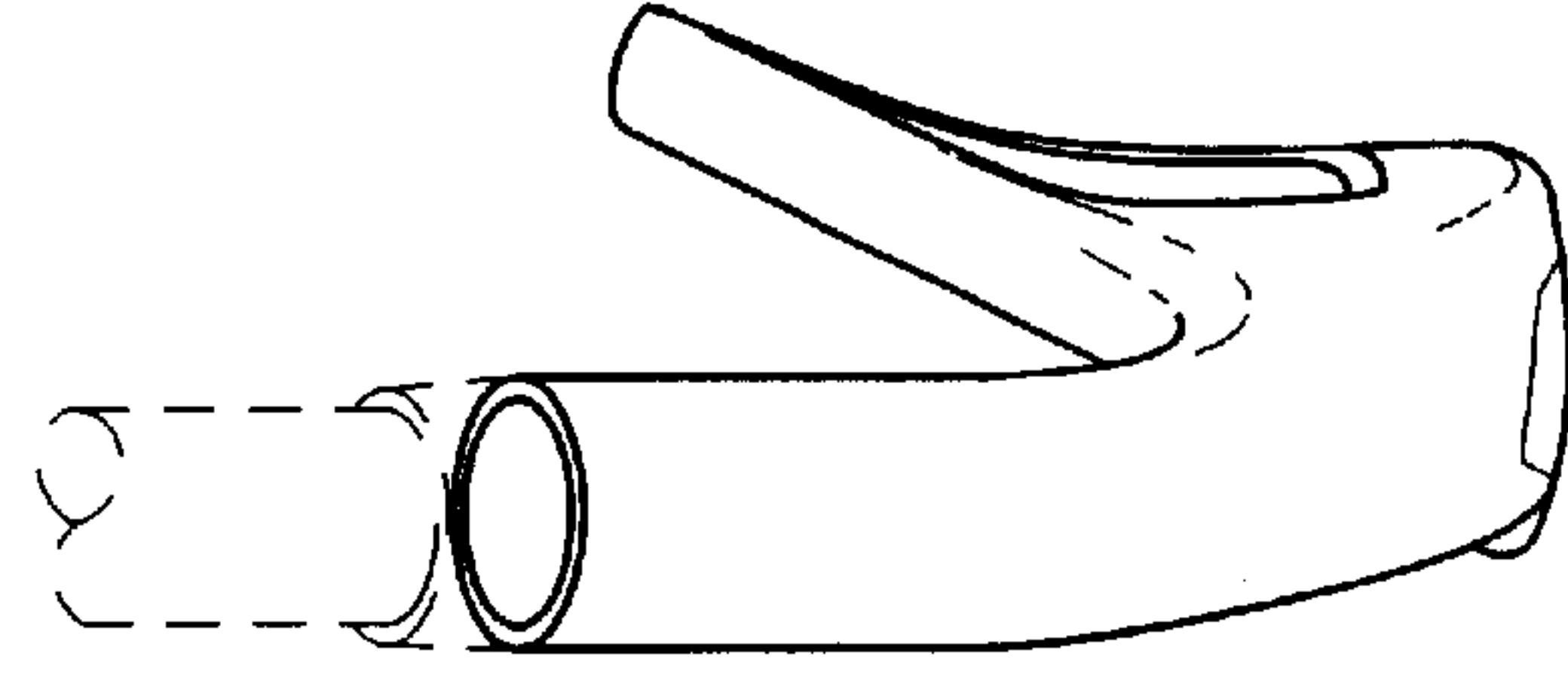


FIG. 77

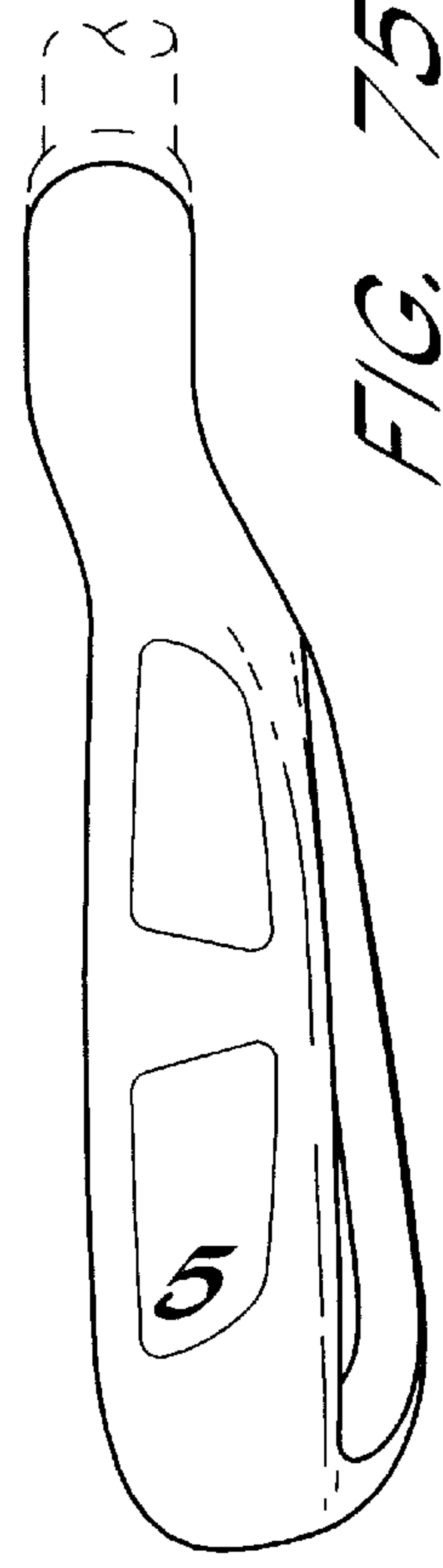


FIG. 75

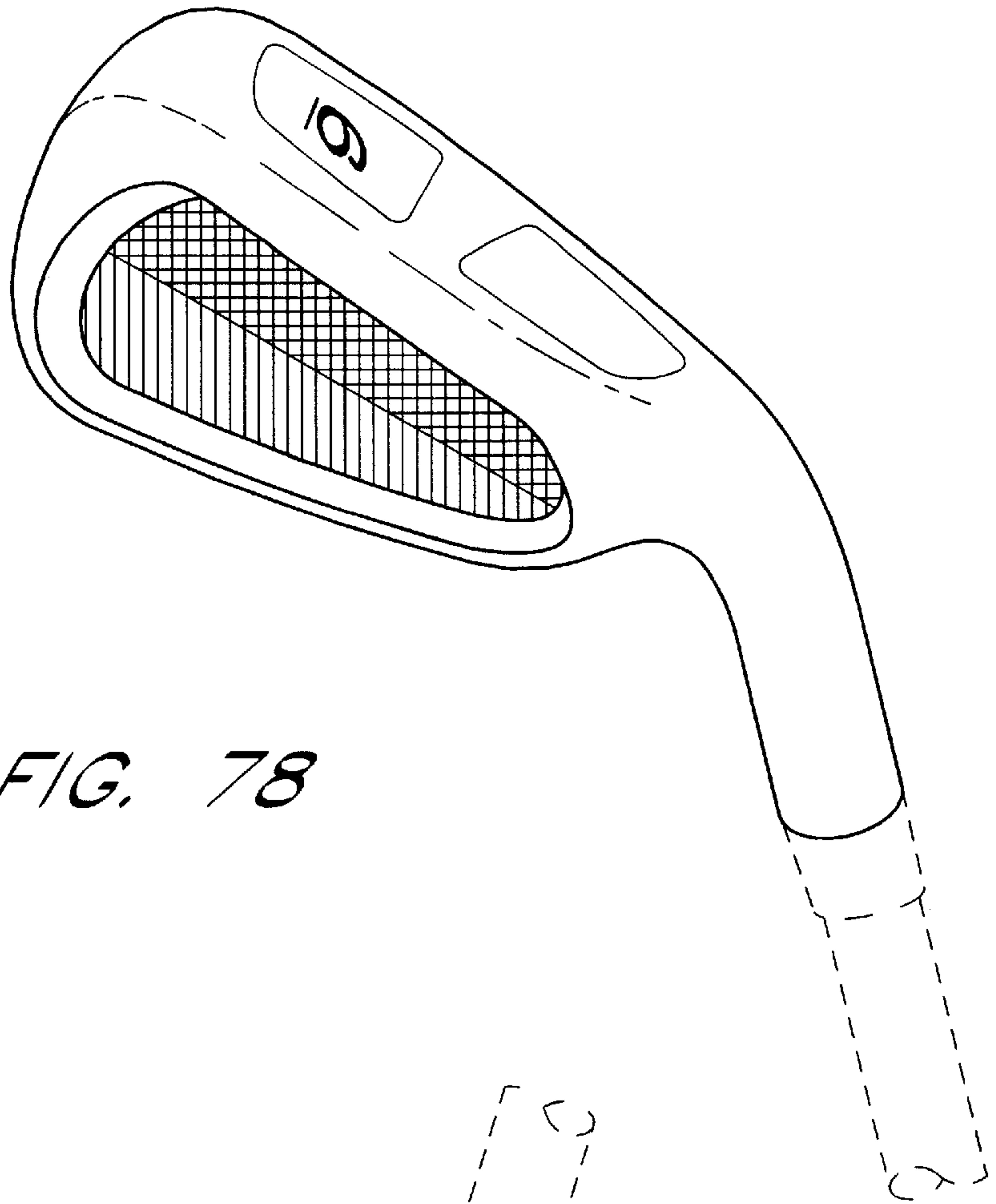


FIG. 78

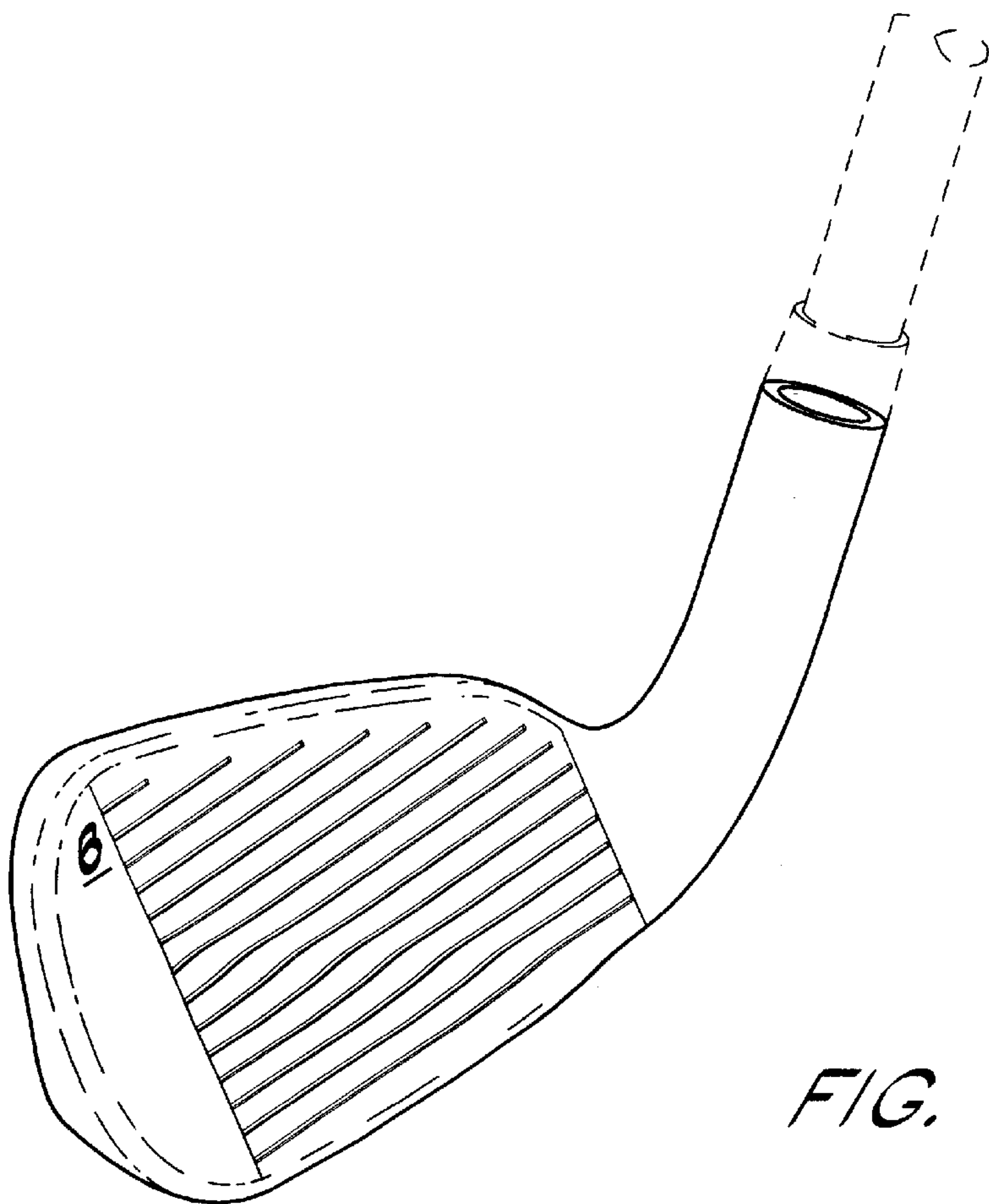


FIG. 79

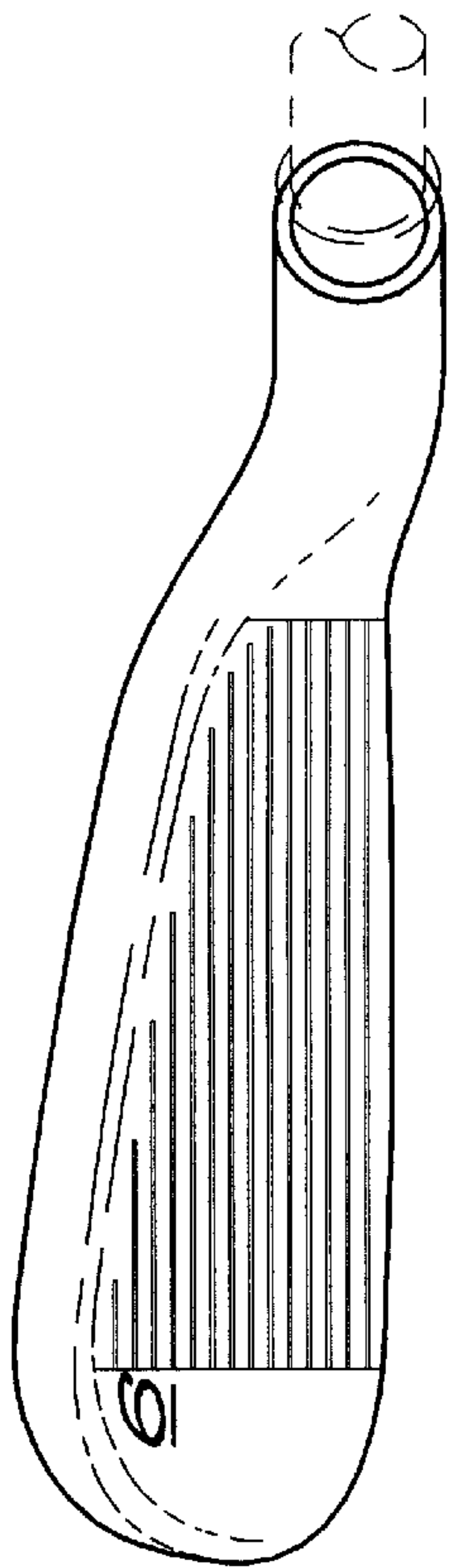


FIG. 80

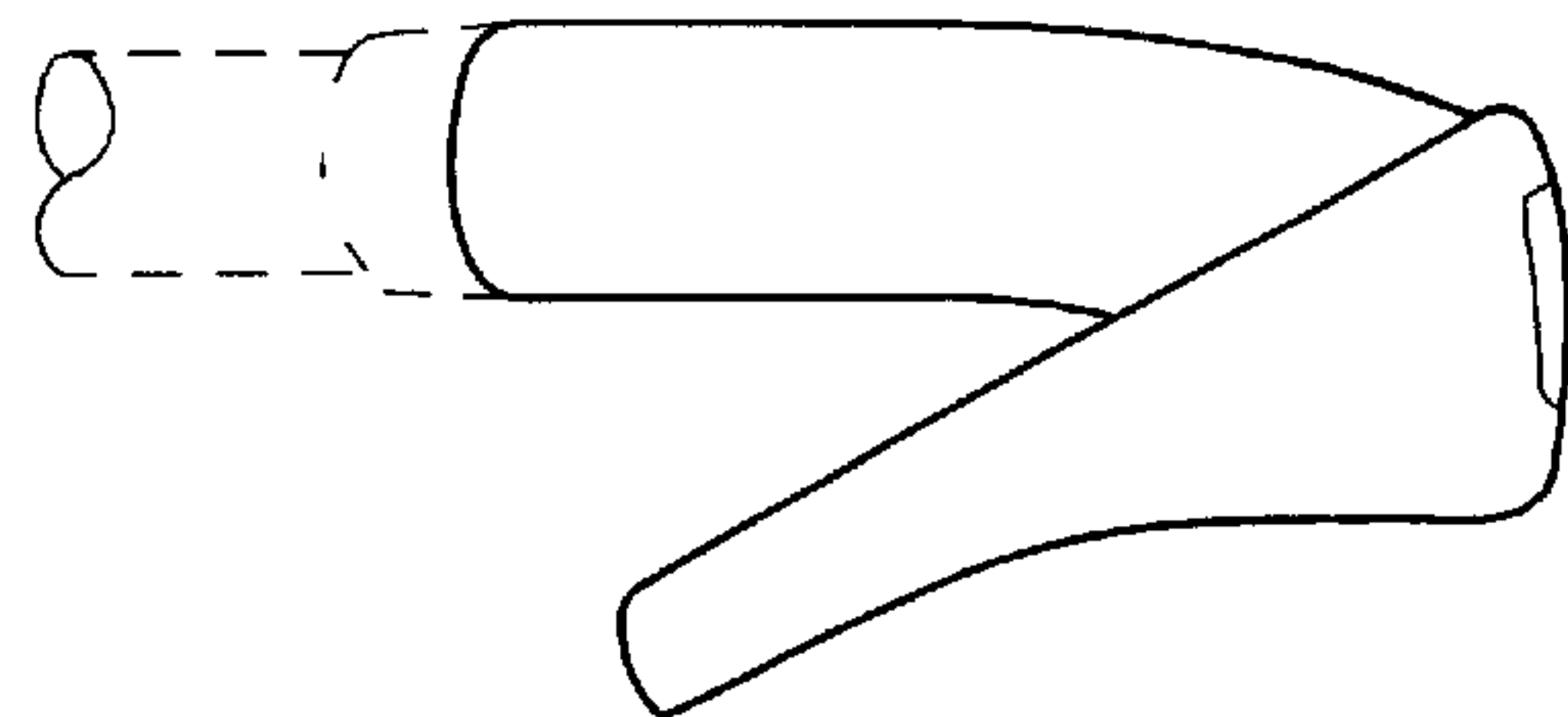


FIG. 83

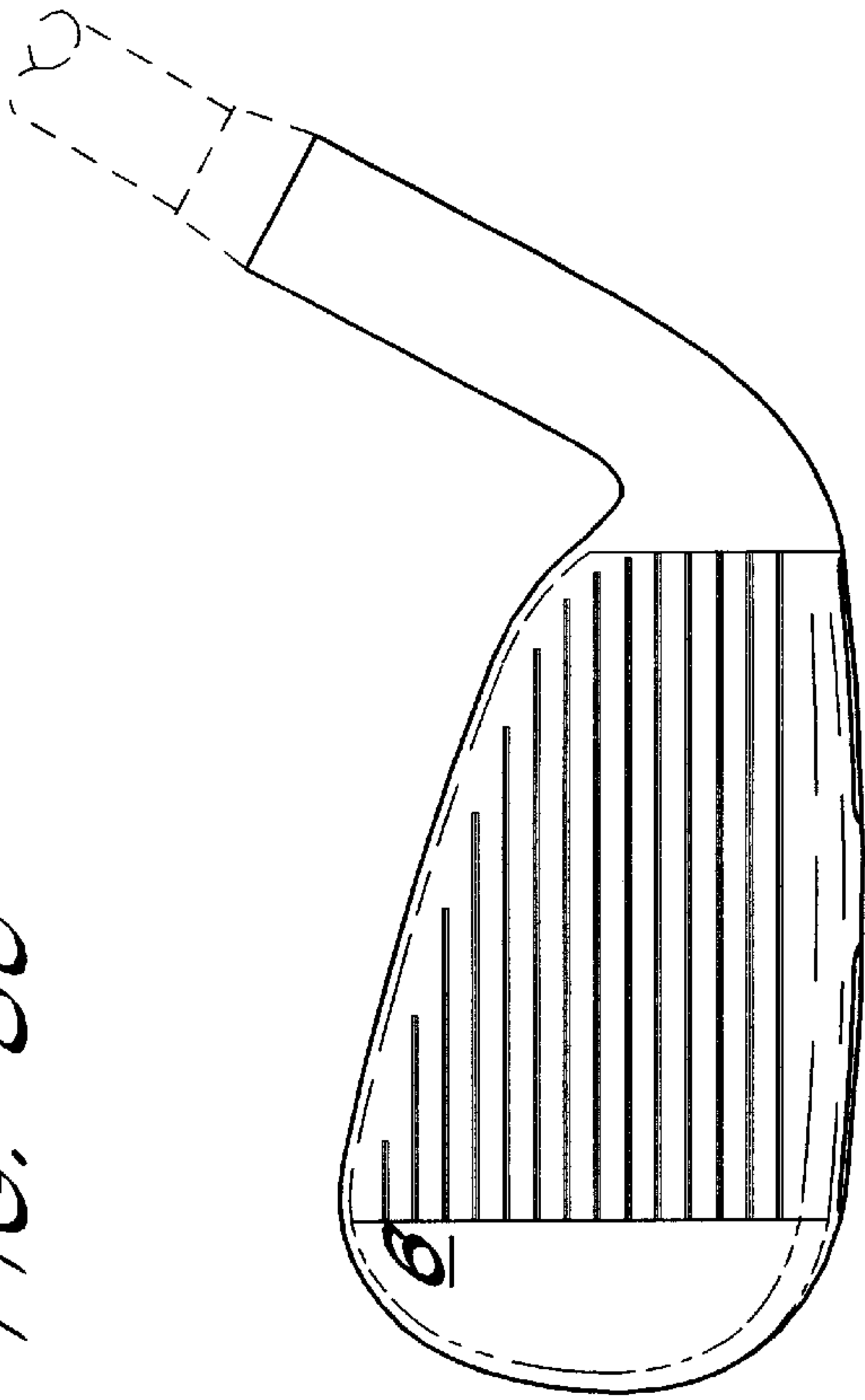


FIG. 81

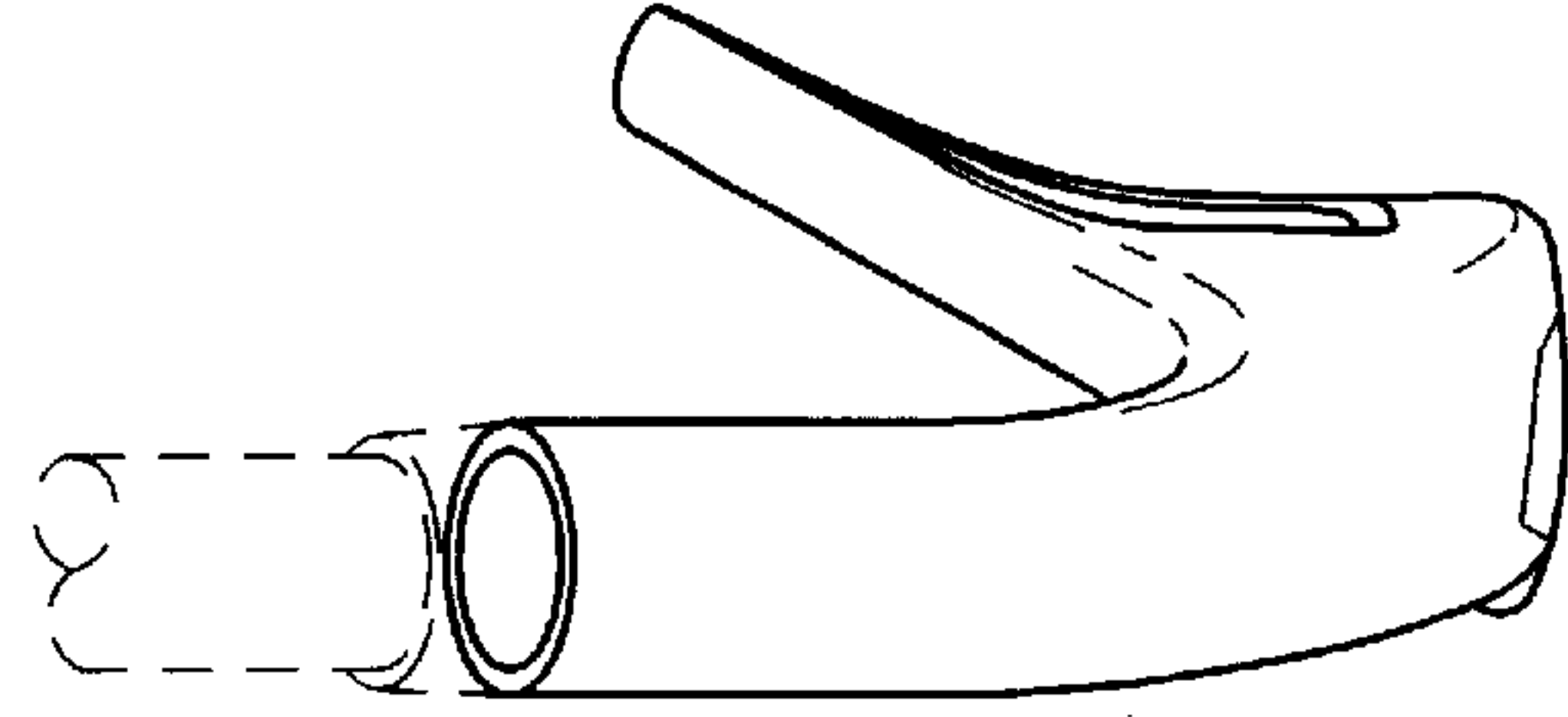


FIG. 84

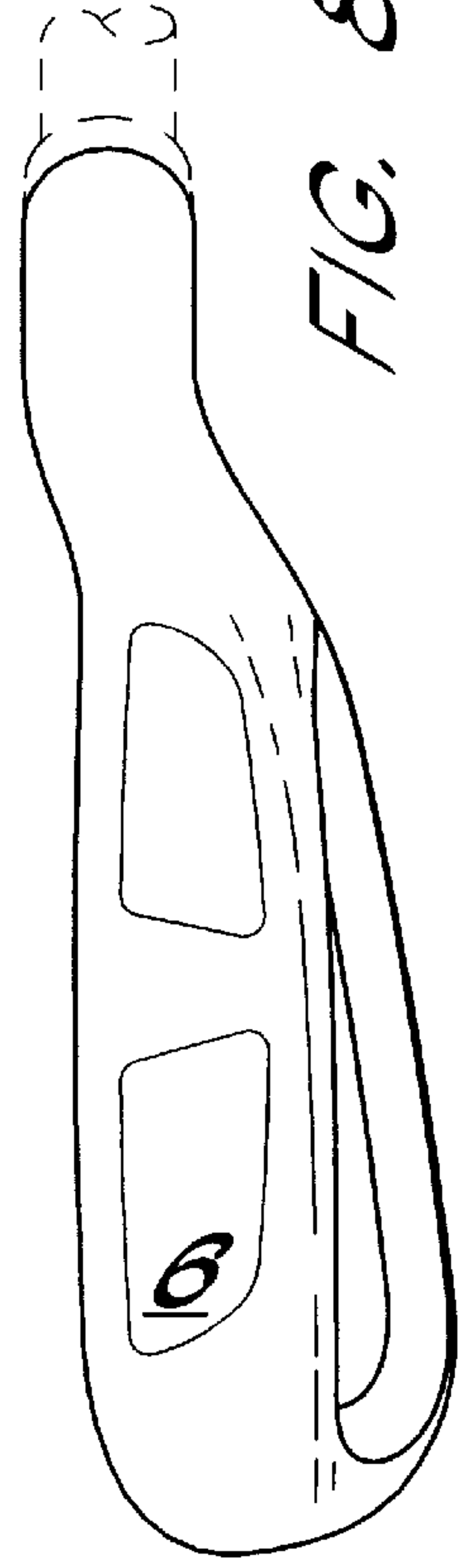


FIG. 82

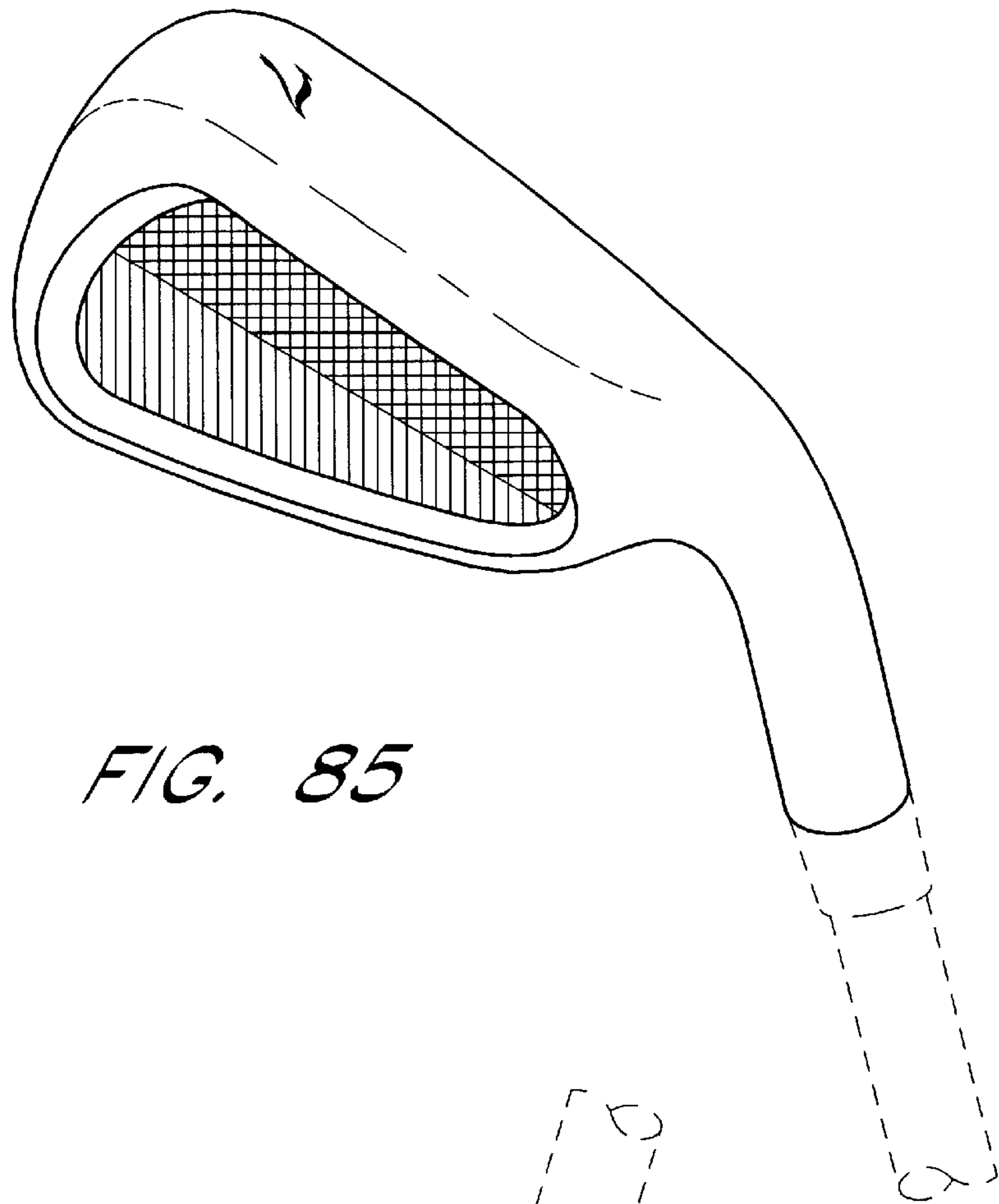


FIG. 85

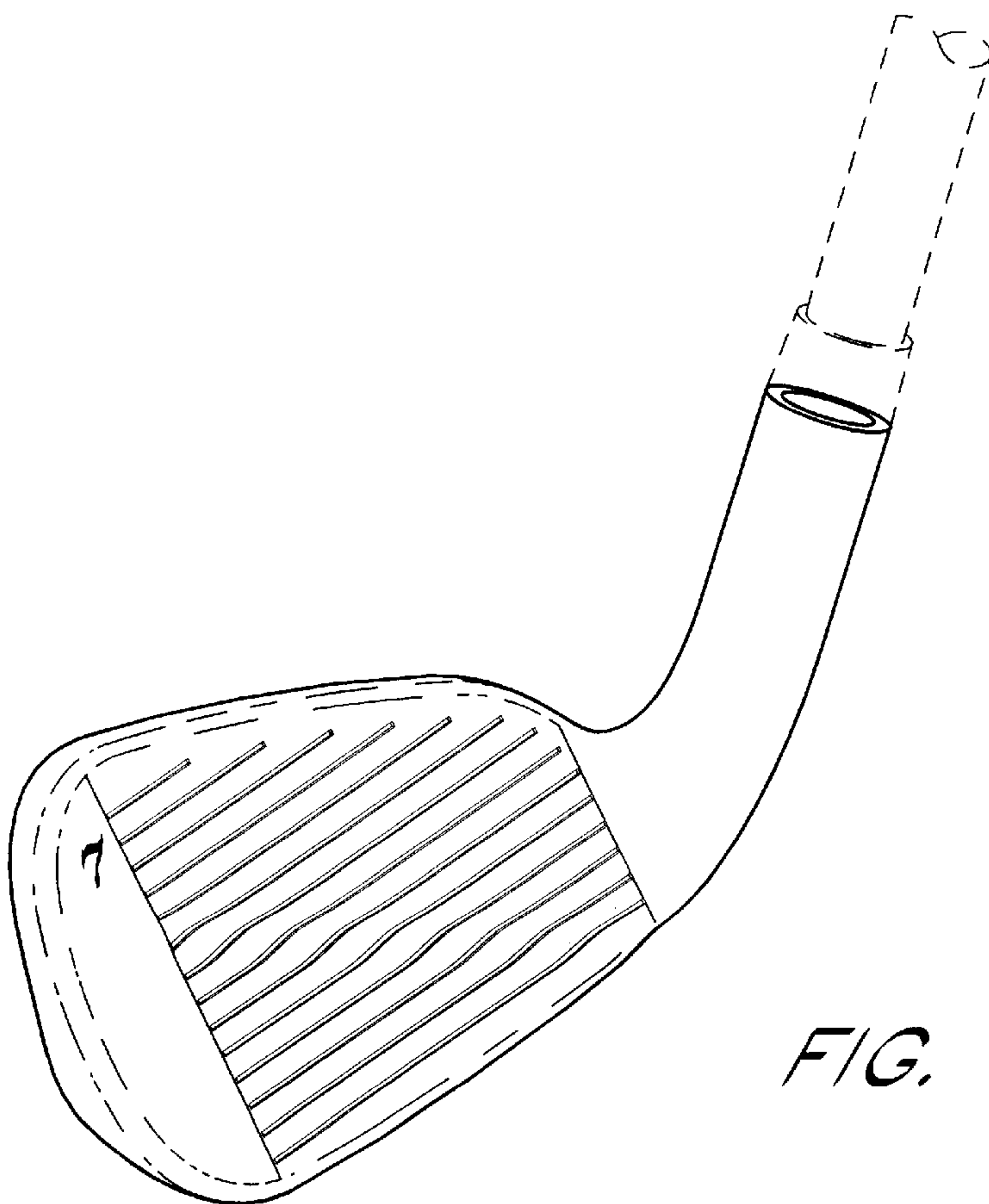


FIG. 86

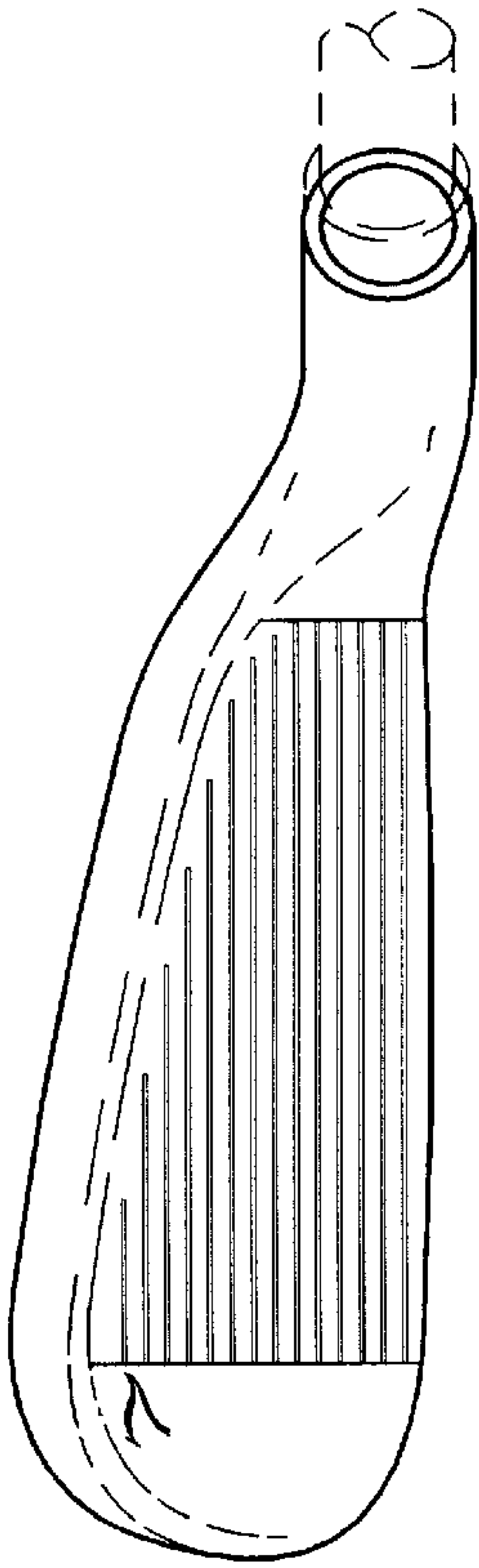


FIG. 87

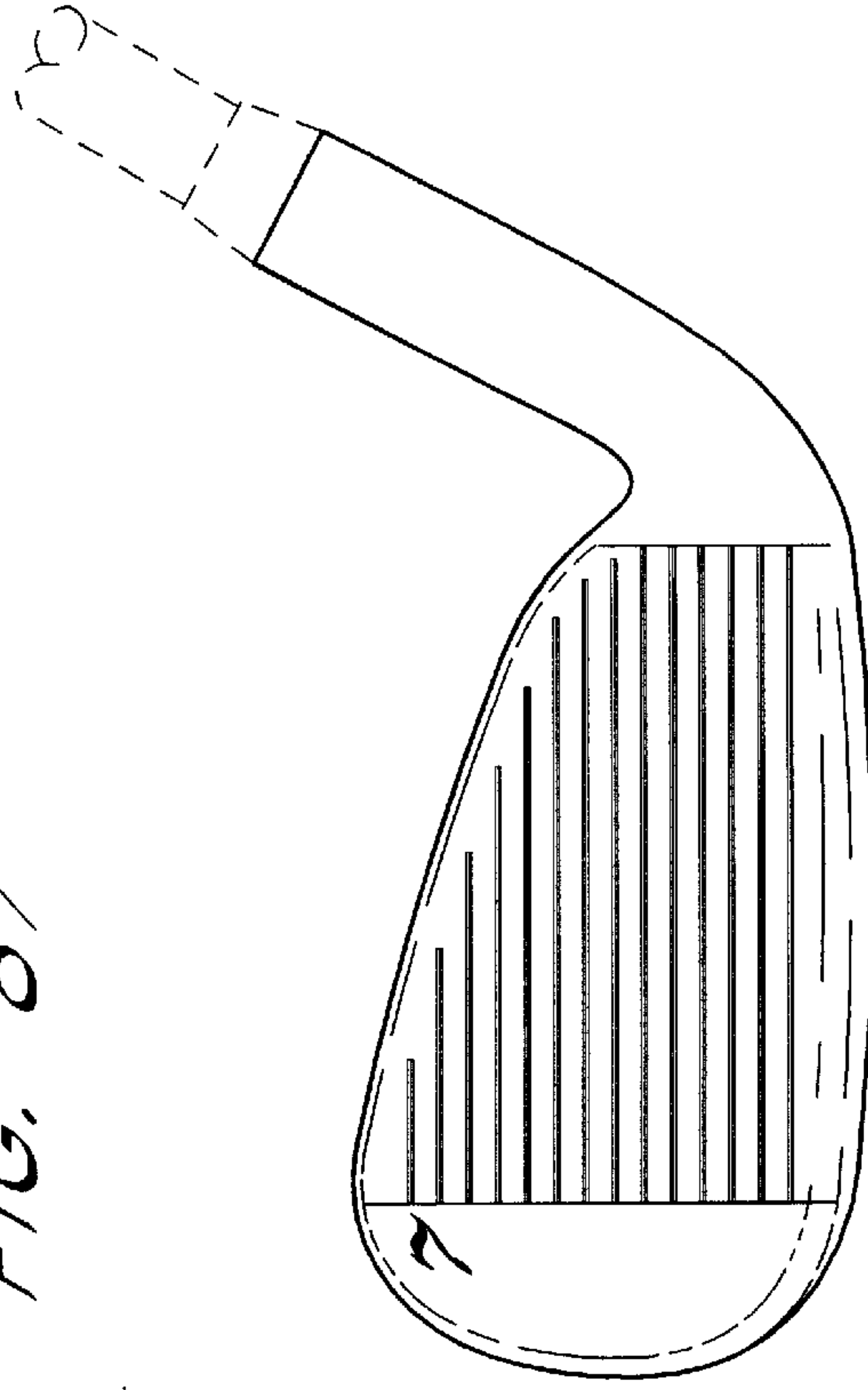


FIG. 88

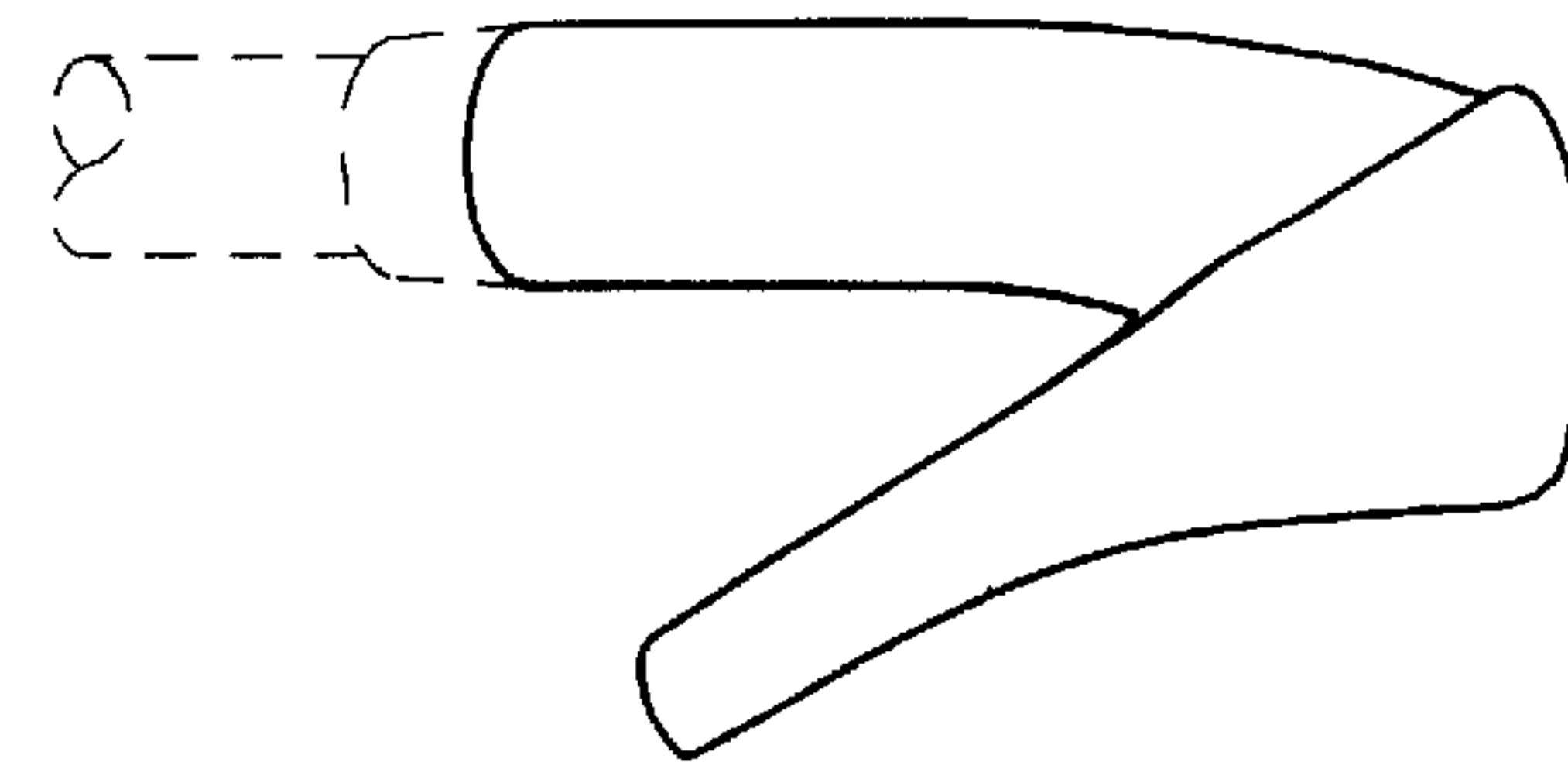


FIG. 90

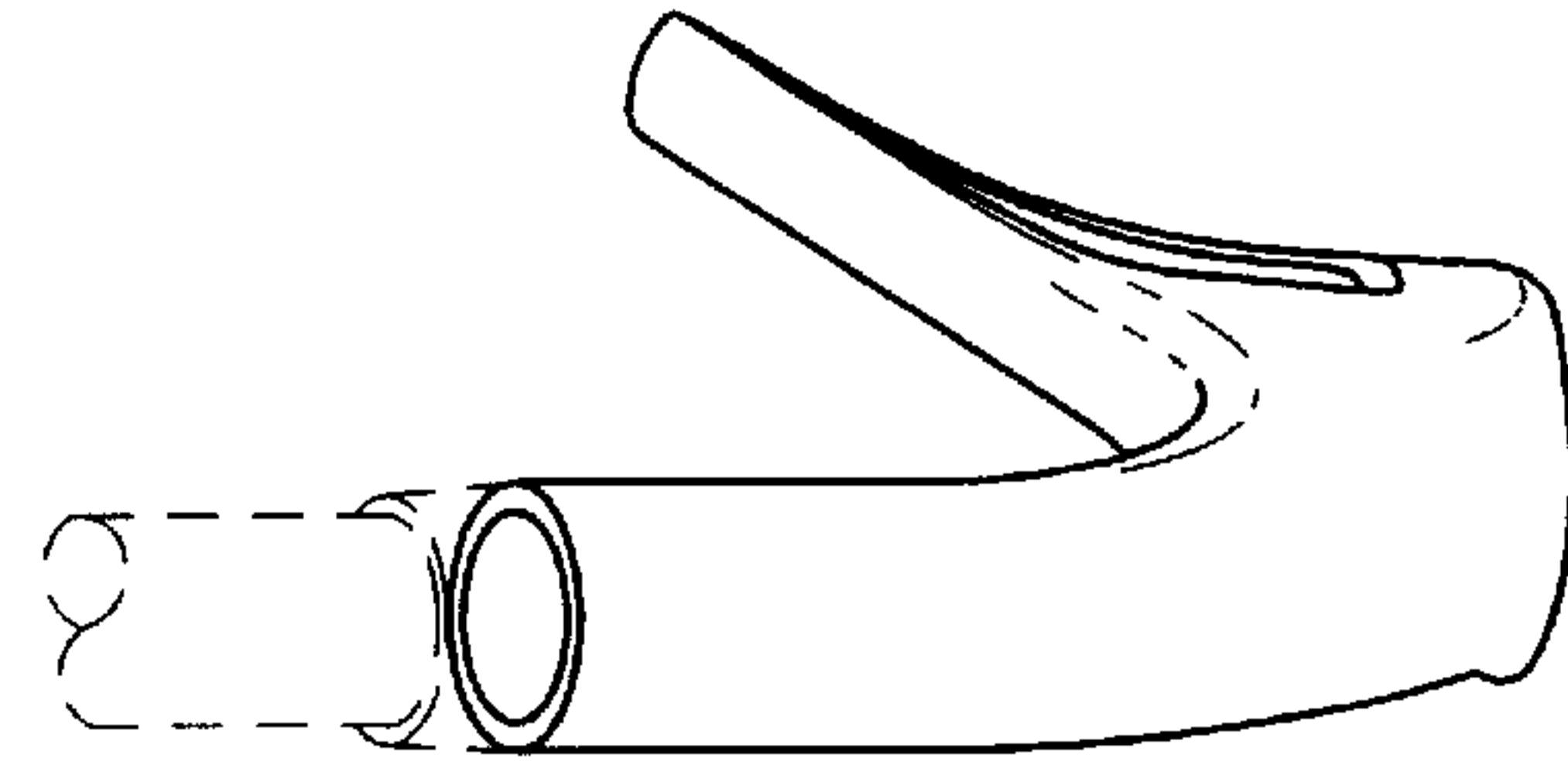


FIG. 91



FIG. 89

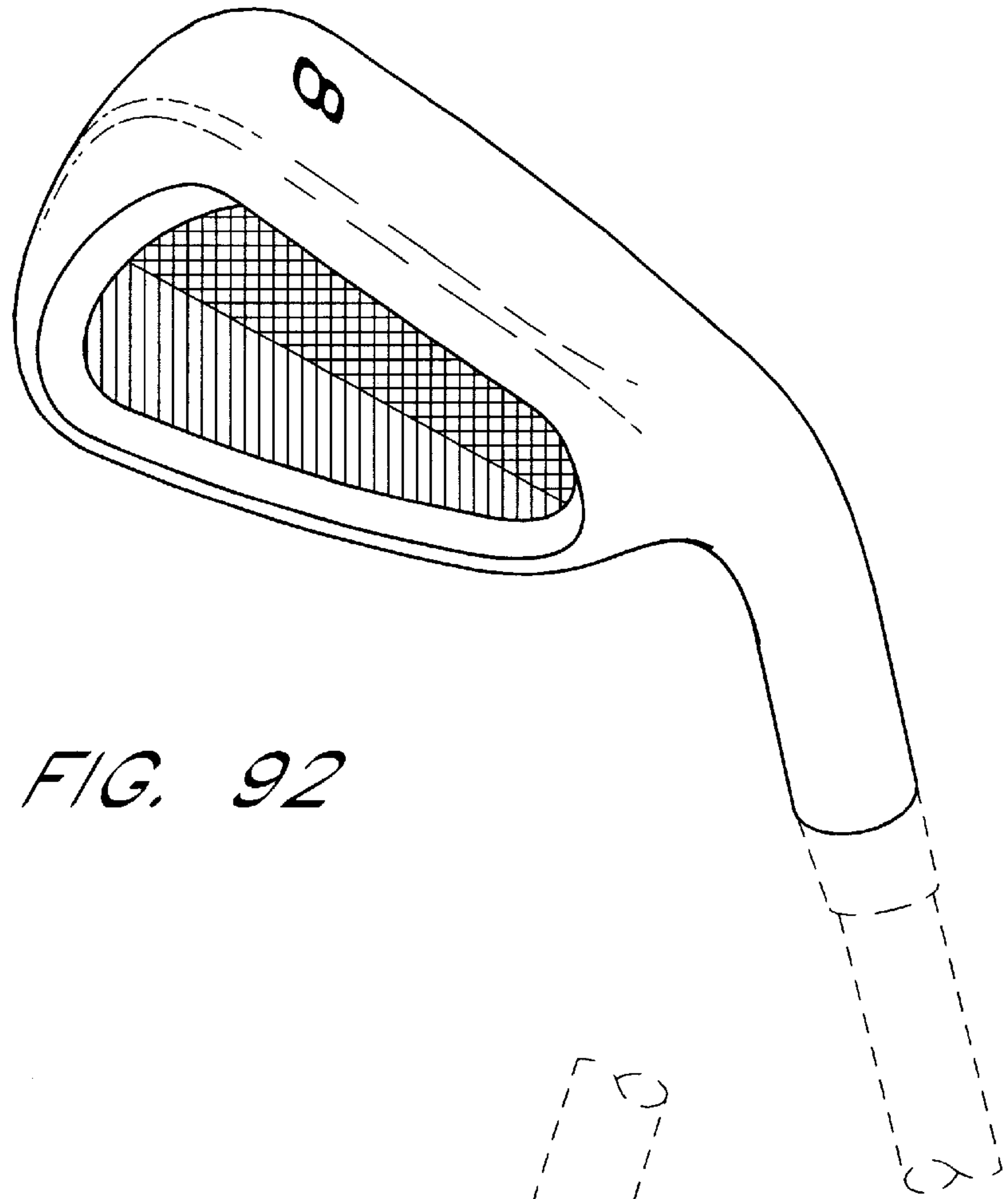


FIG. 92

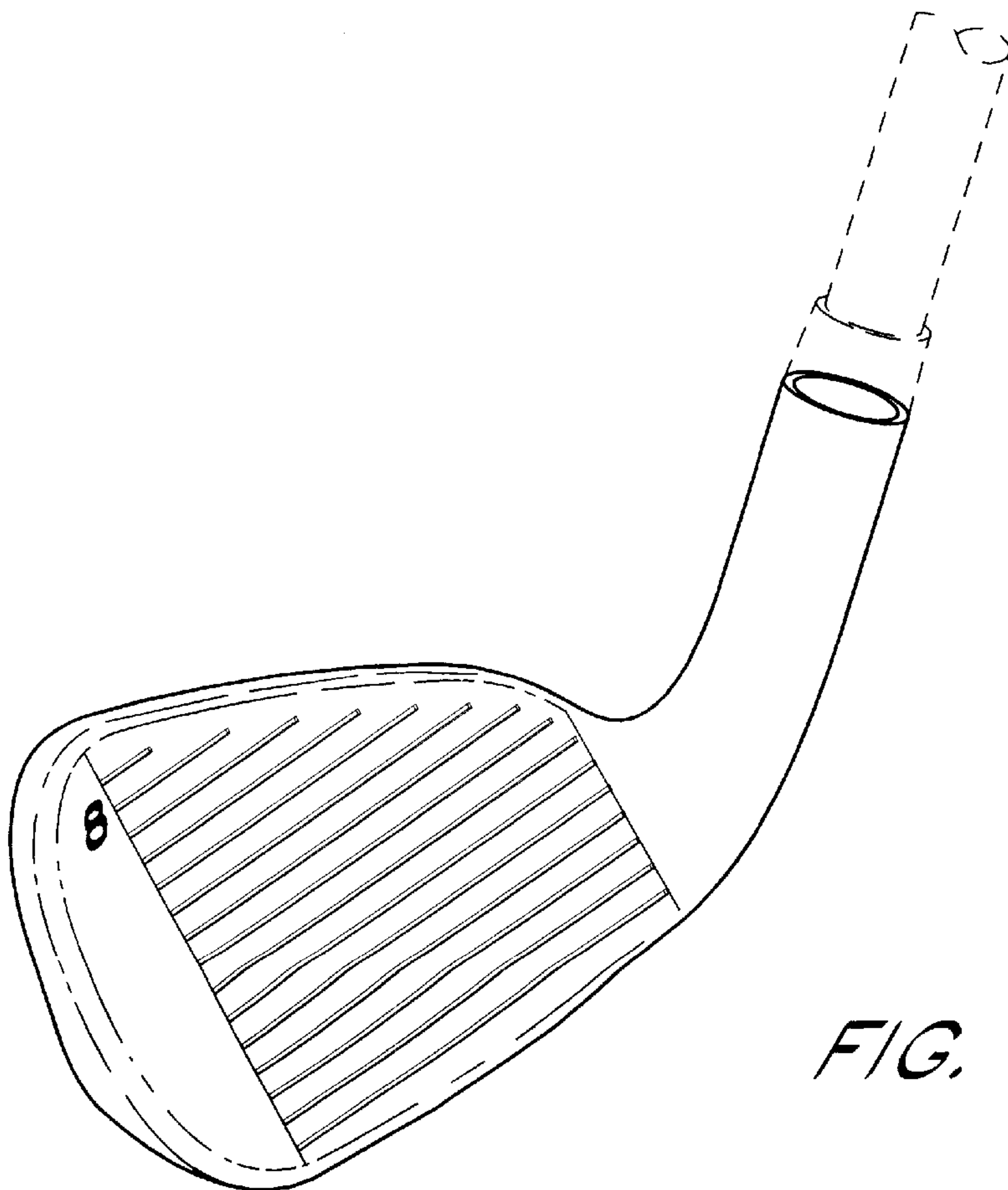


FIG. 93

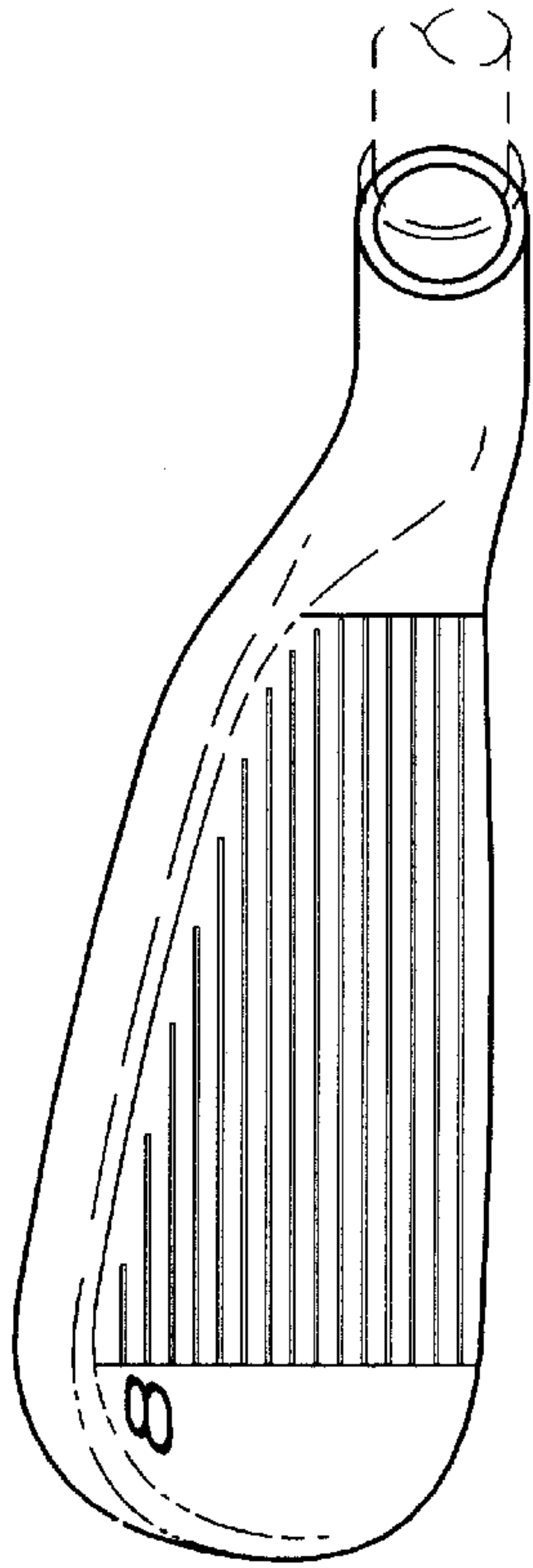


FIG. 94

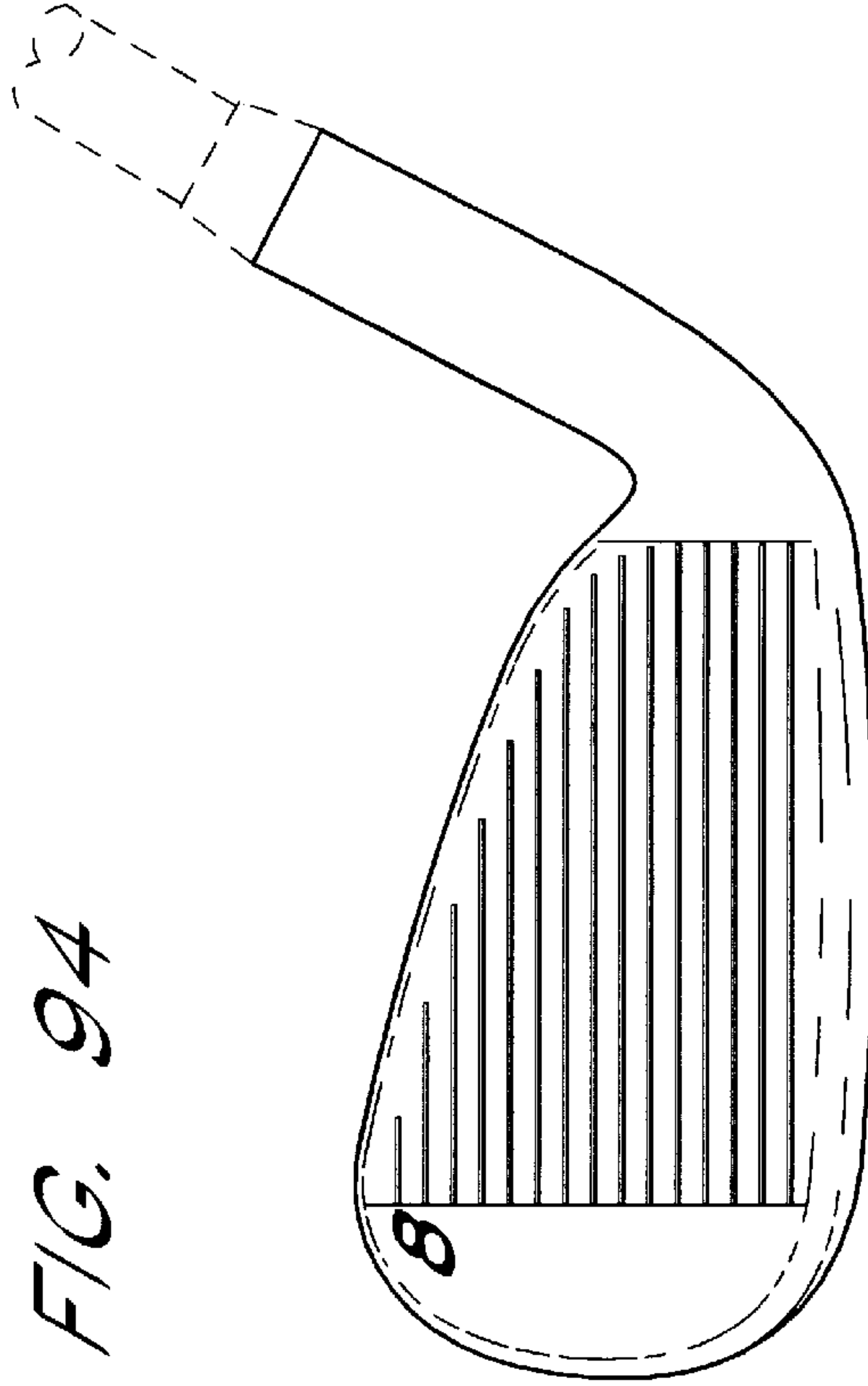


FIG. 95

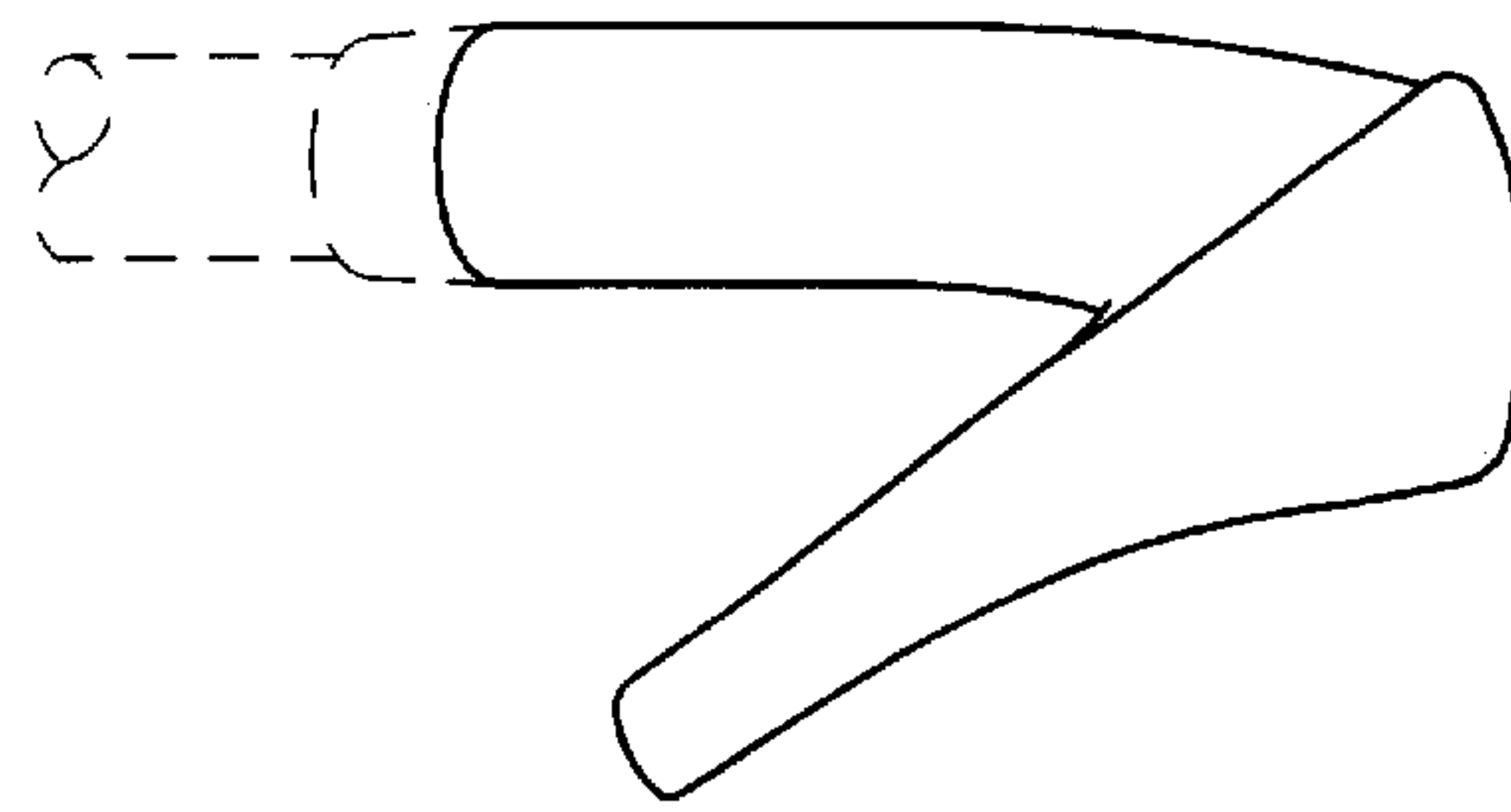


FIG. 97

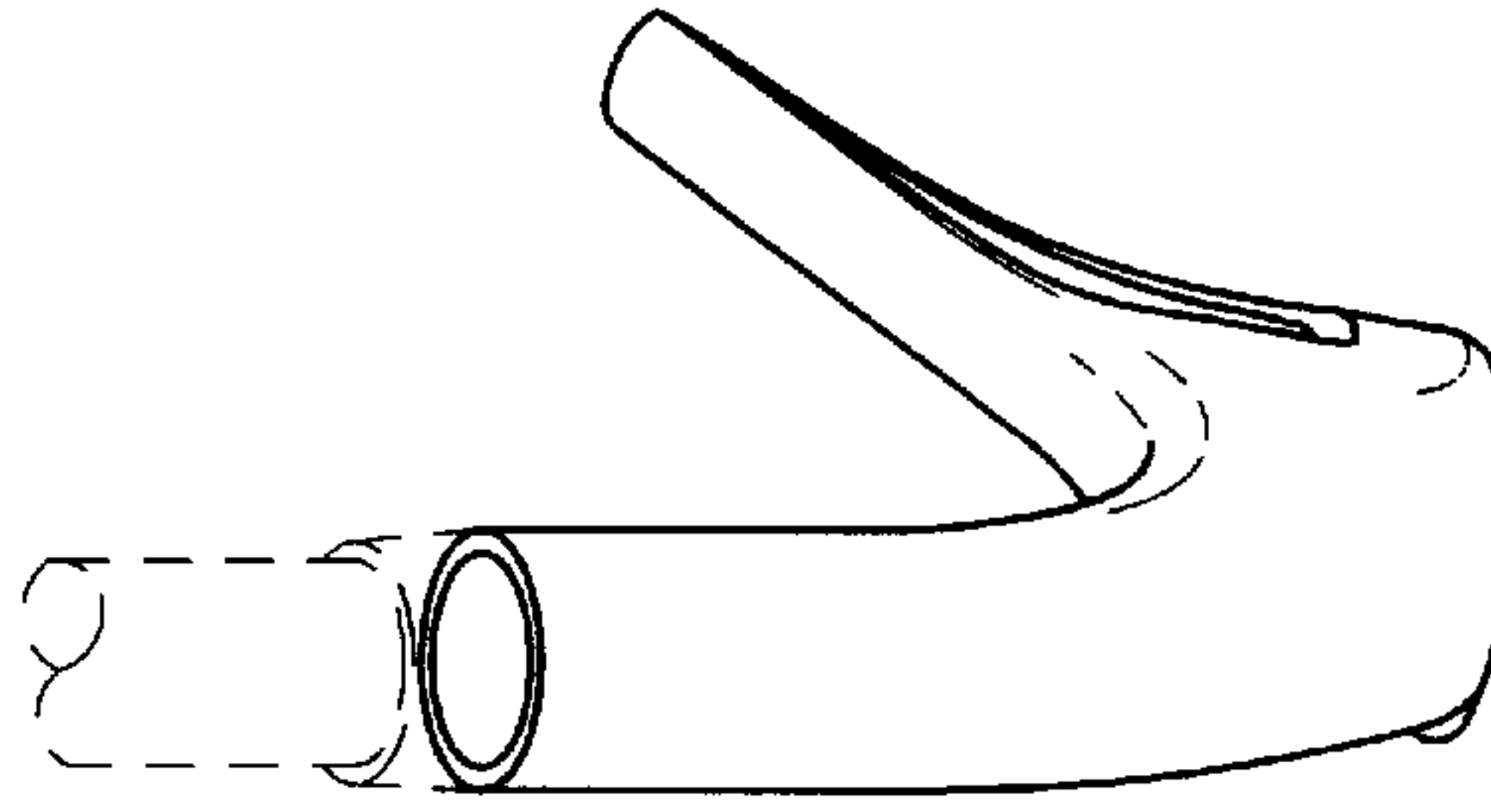
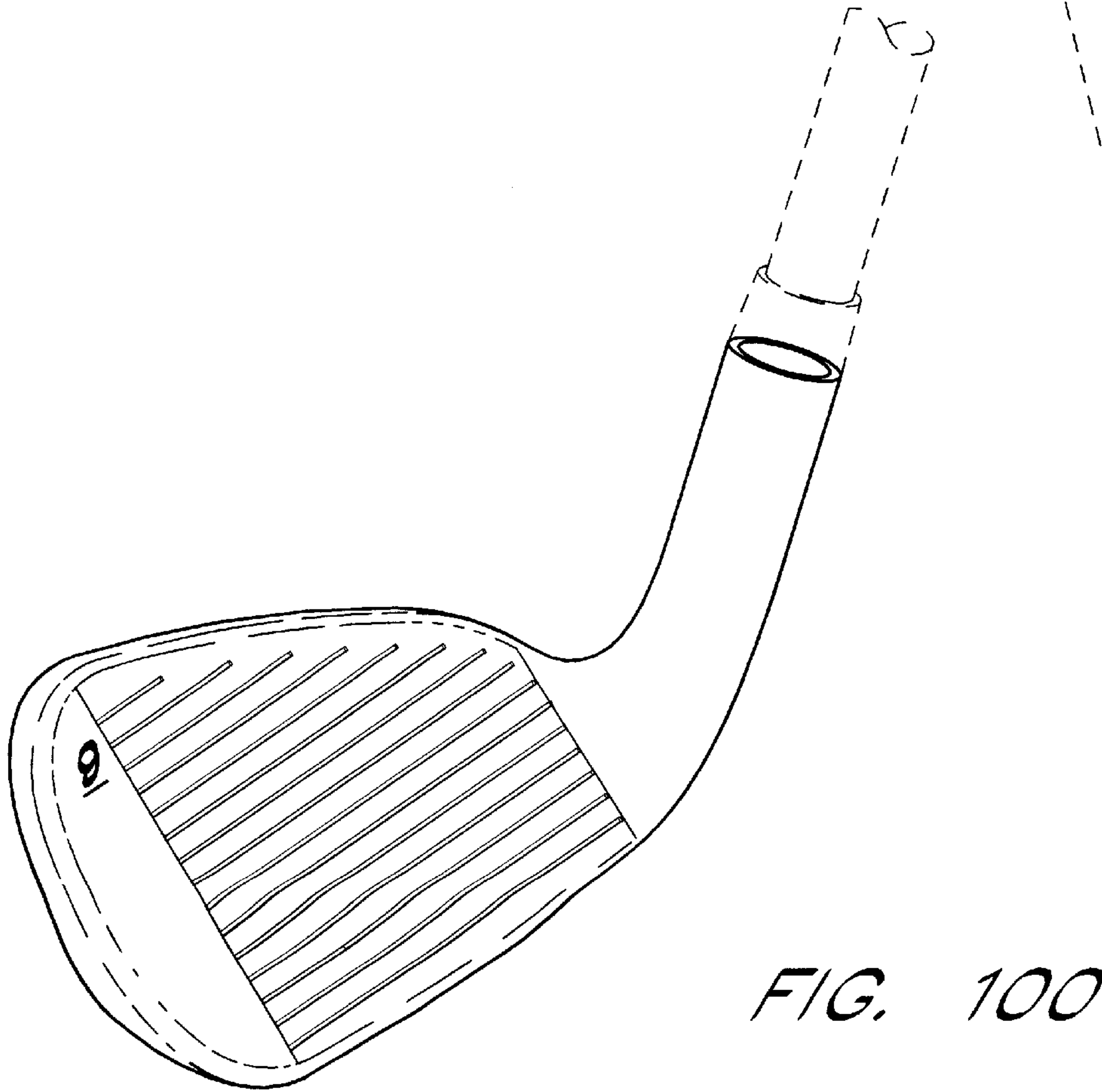
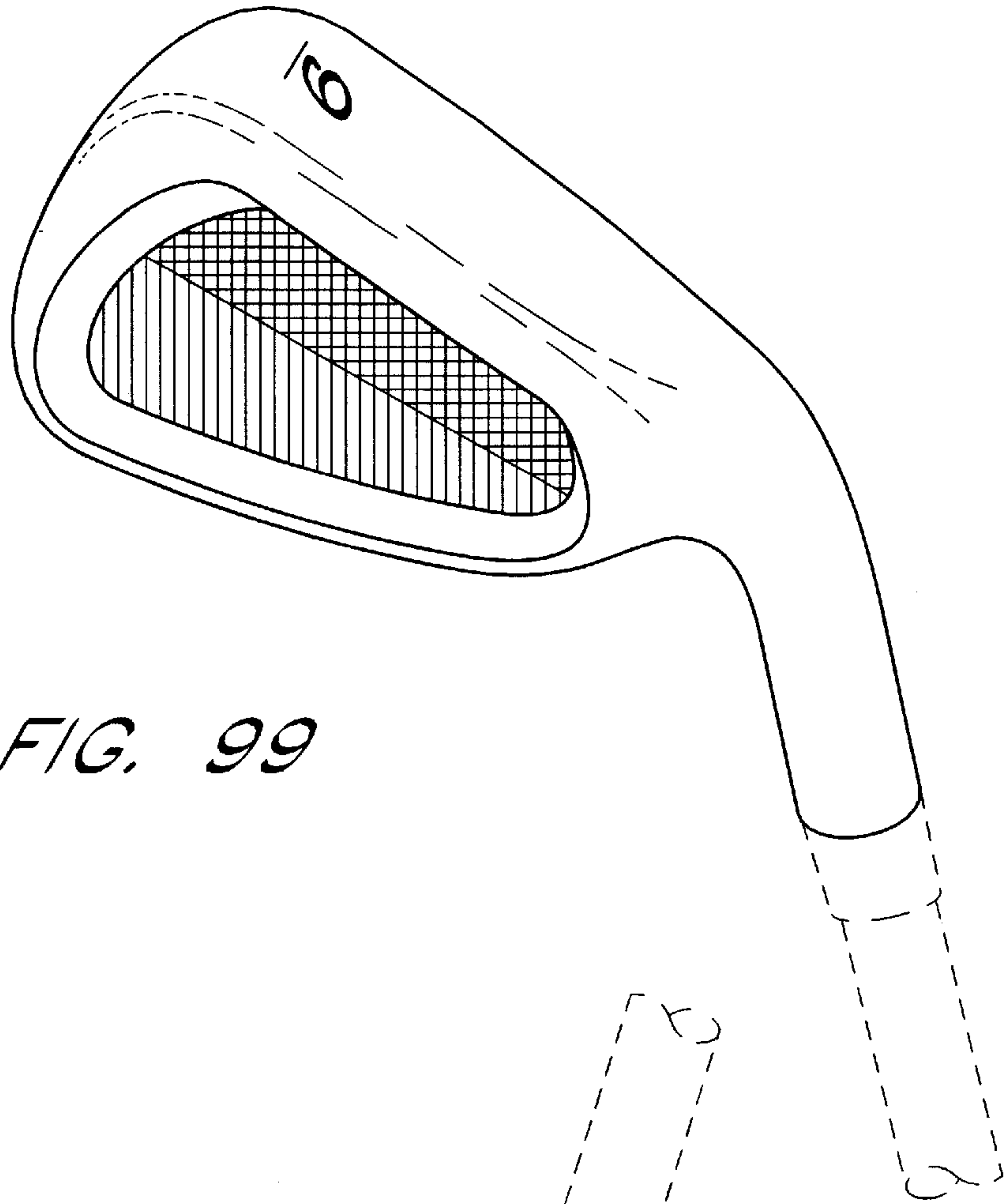


FIG. 98



FIG. 96



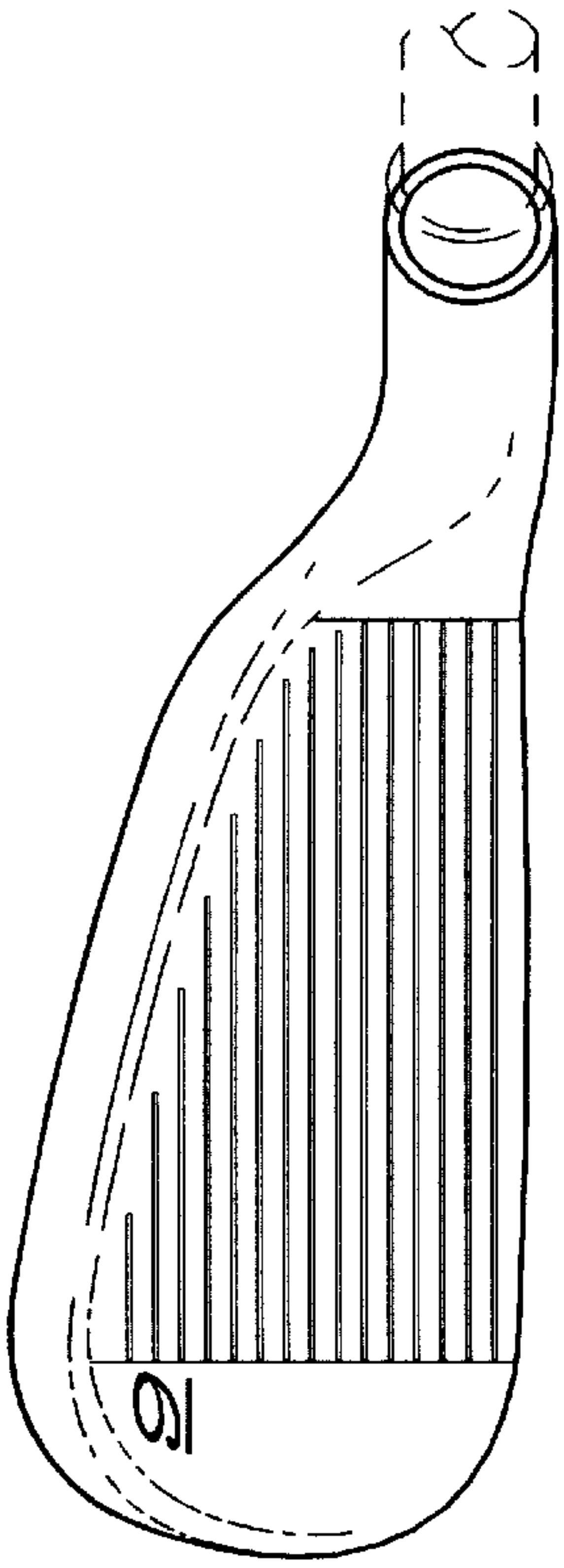


FIG. 101

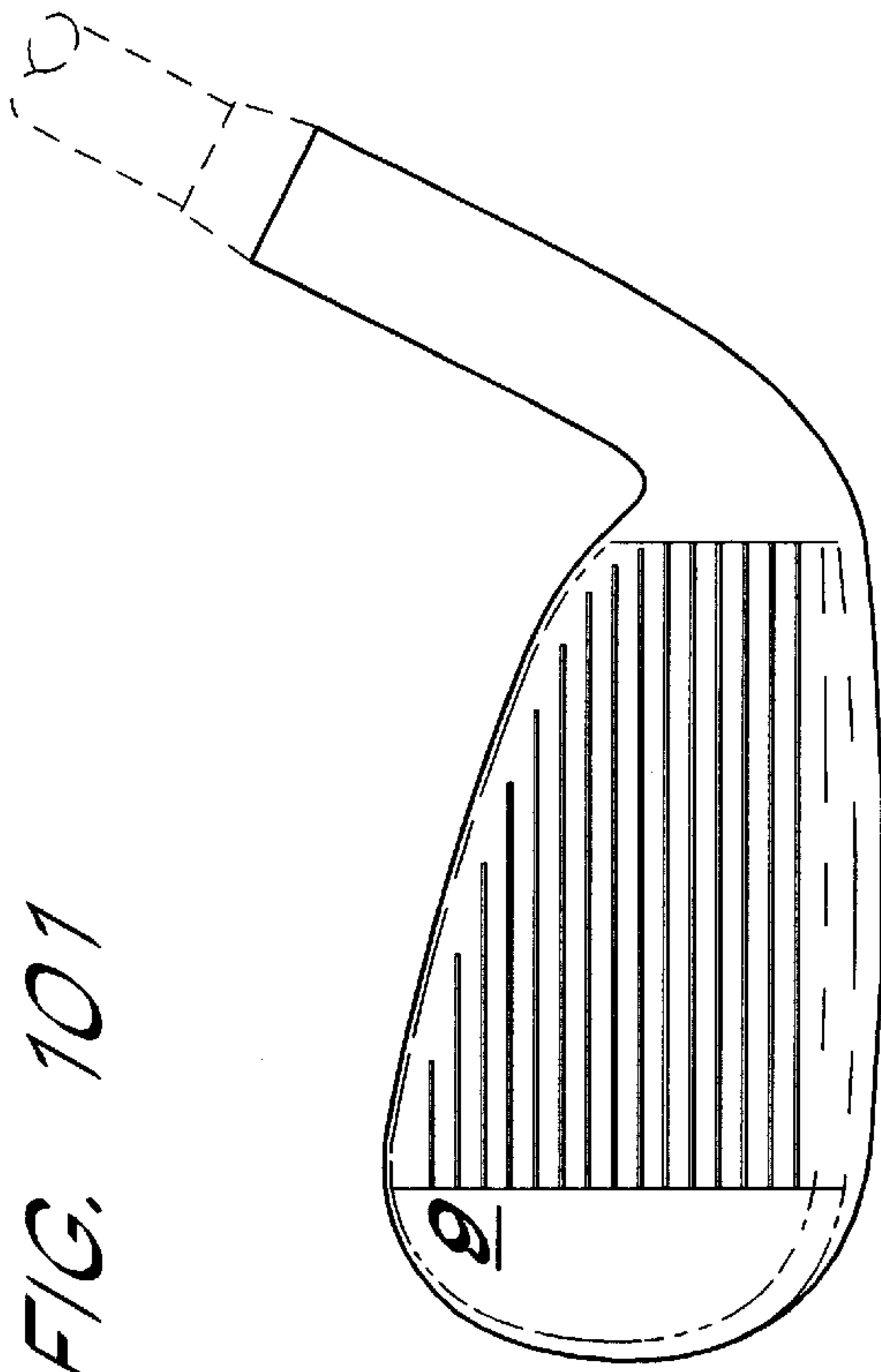


FIG. 102

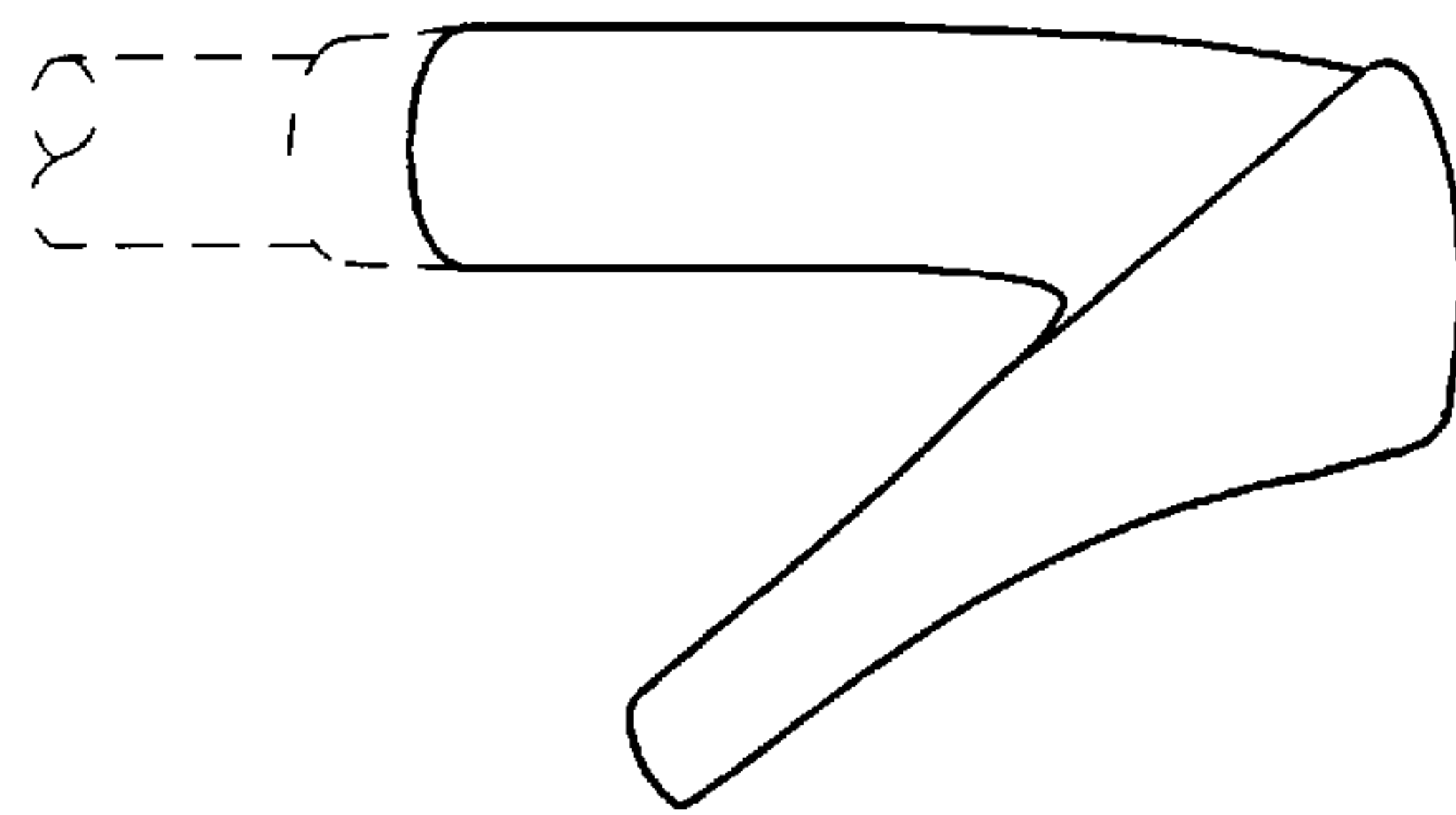


FIG. 104

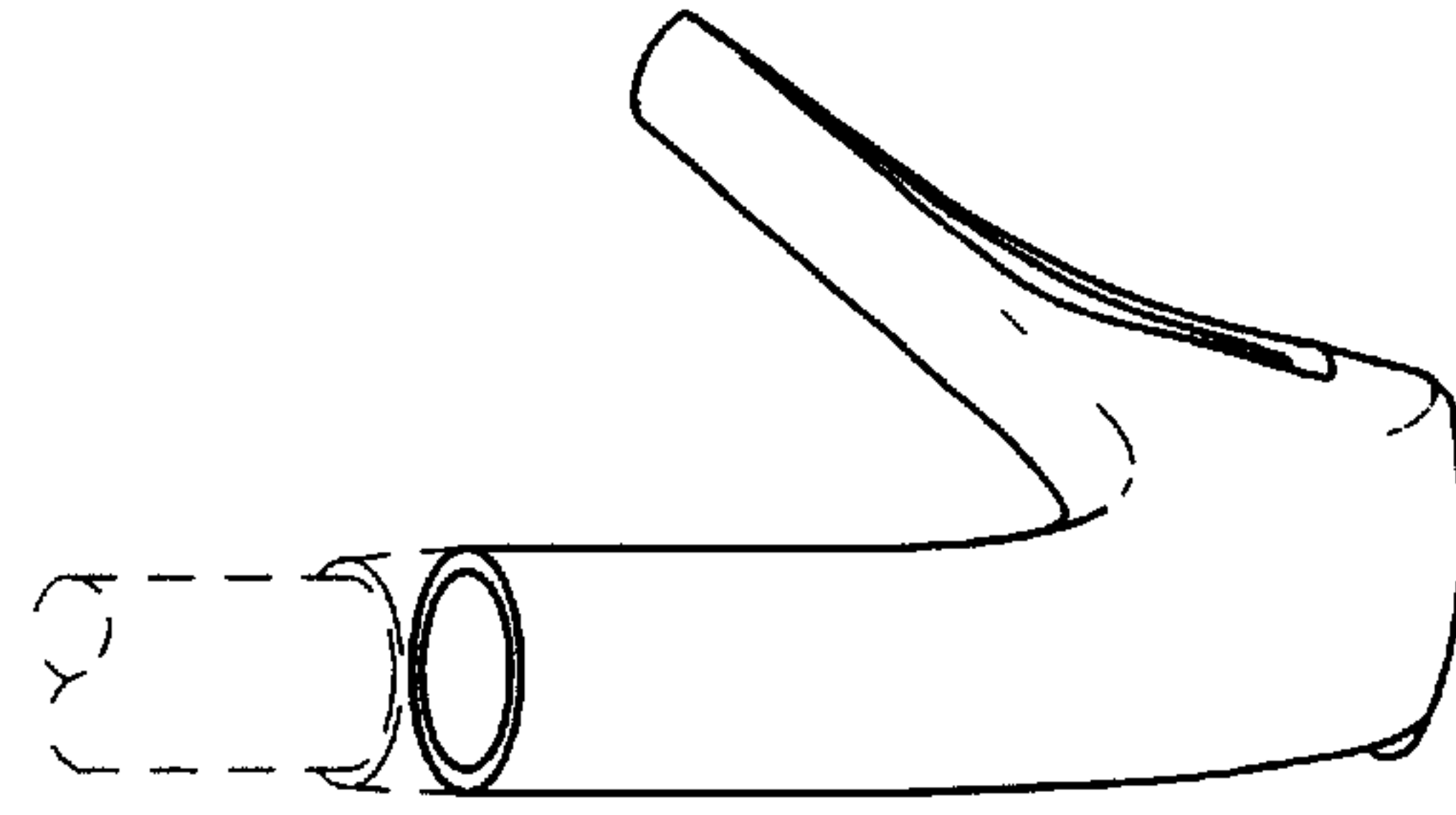


FIG. 105

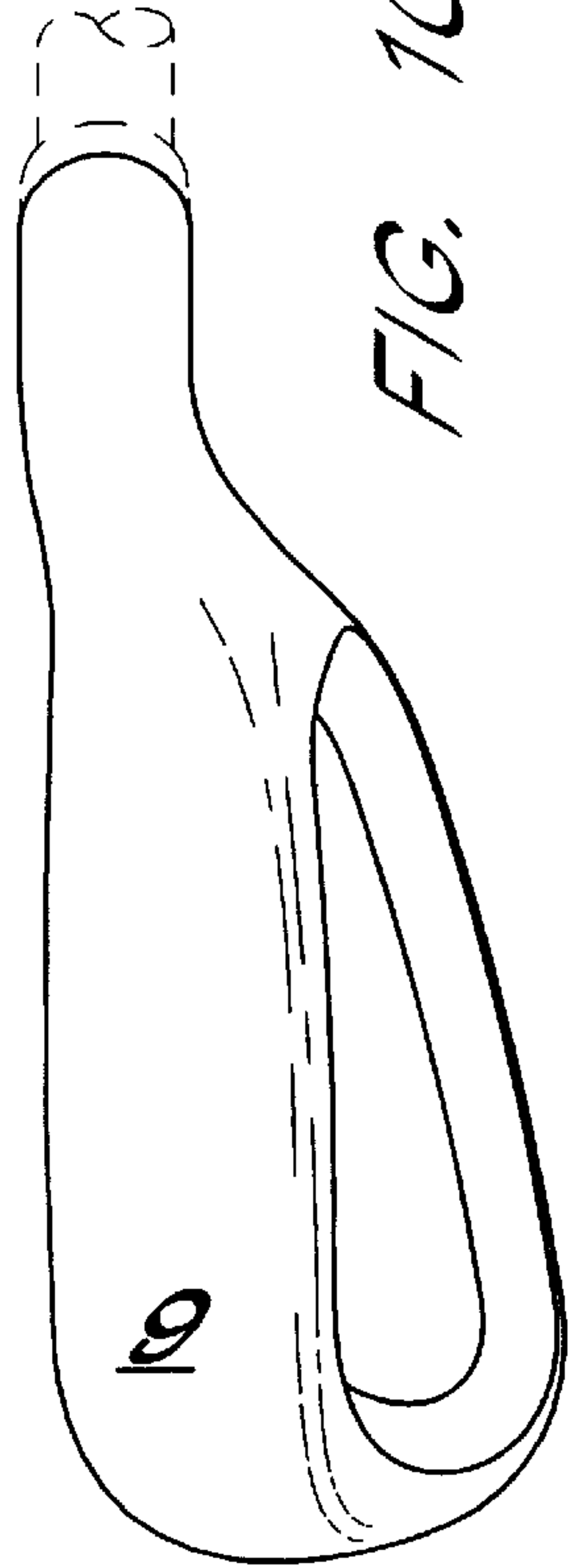


FIG. 103

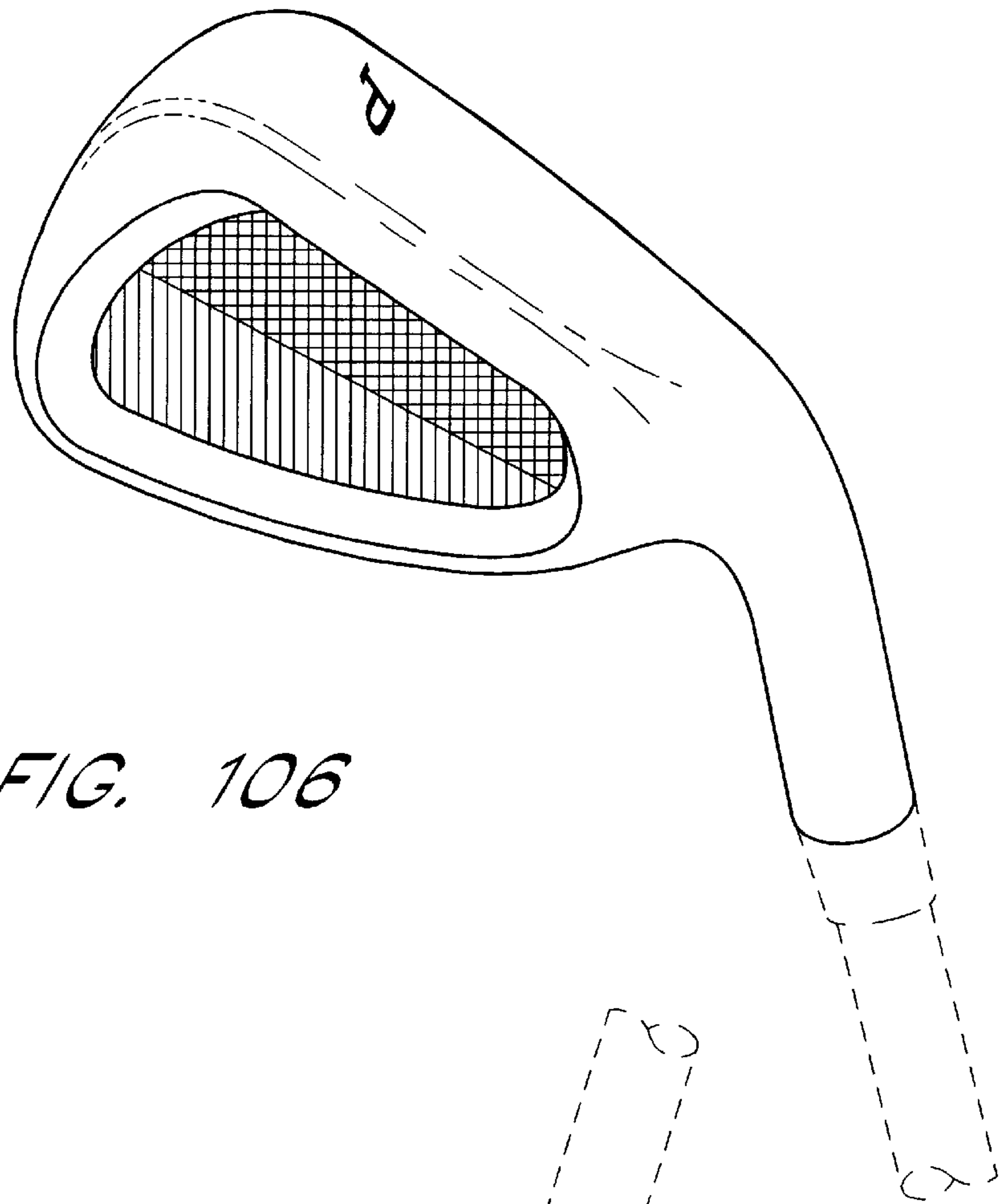


FIG. 106

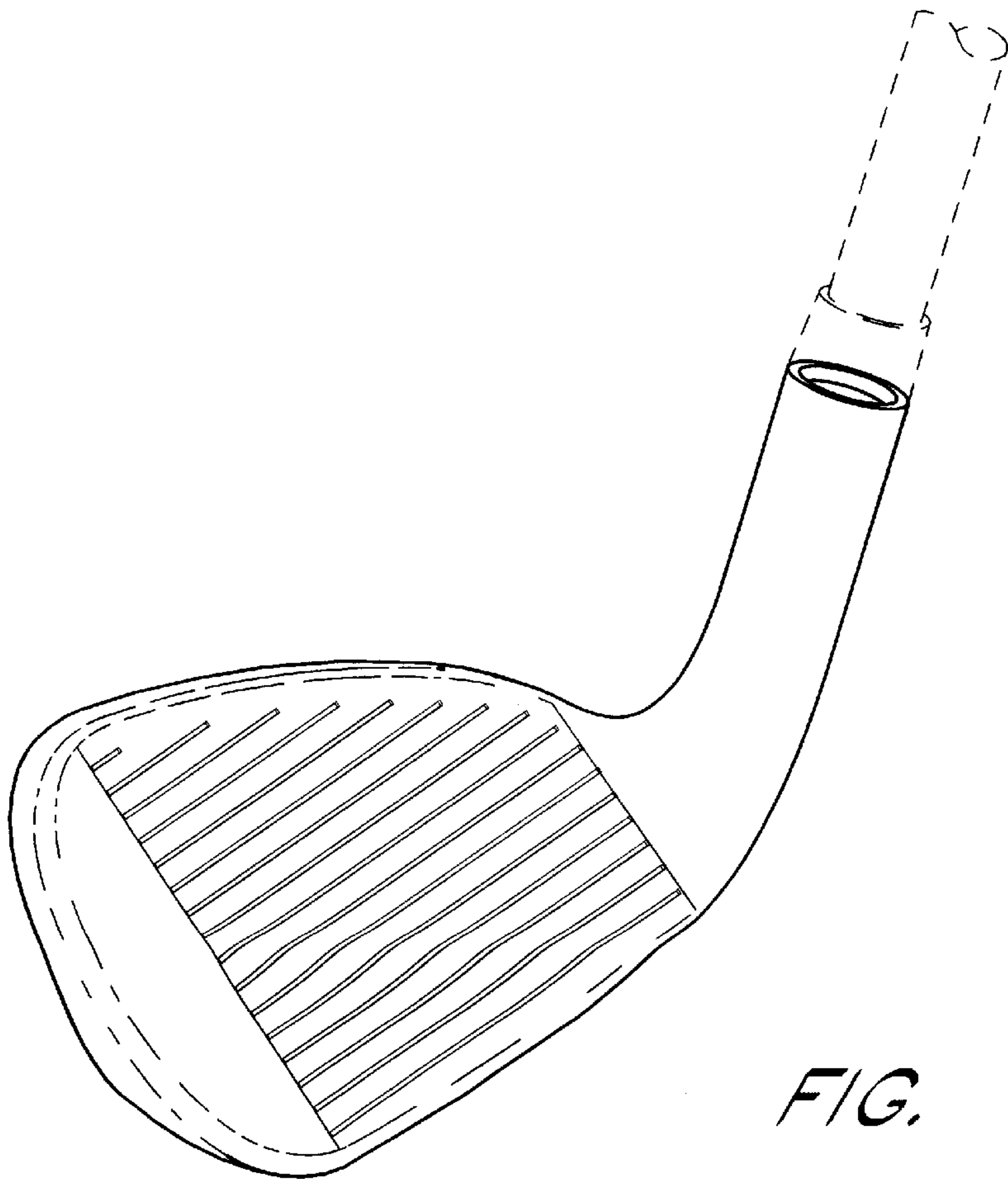


FIG. 107

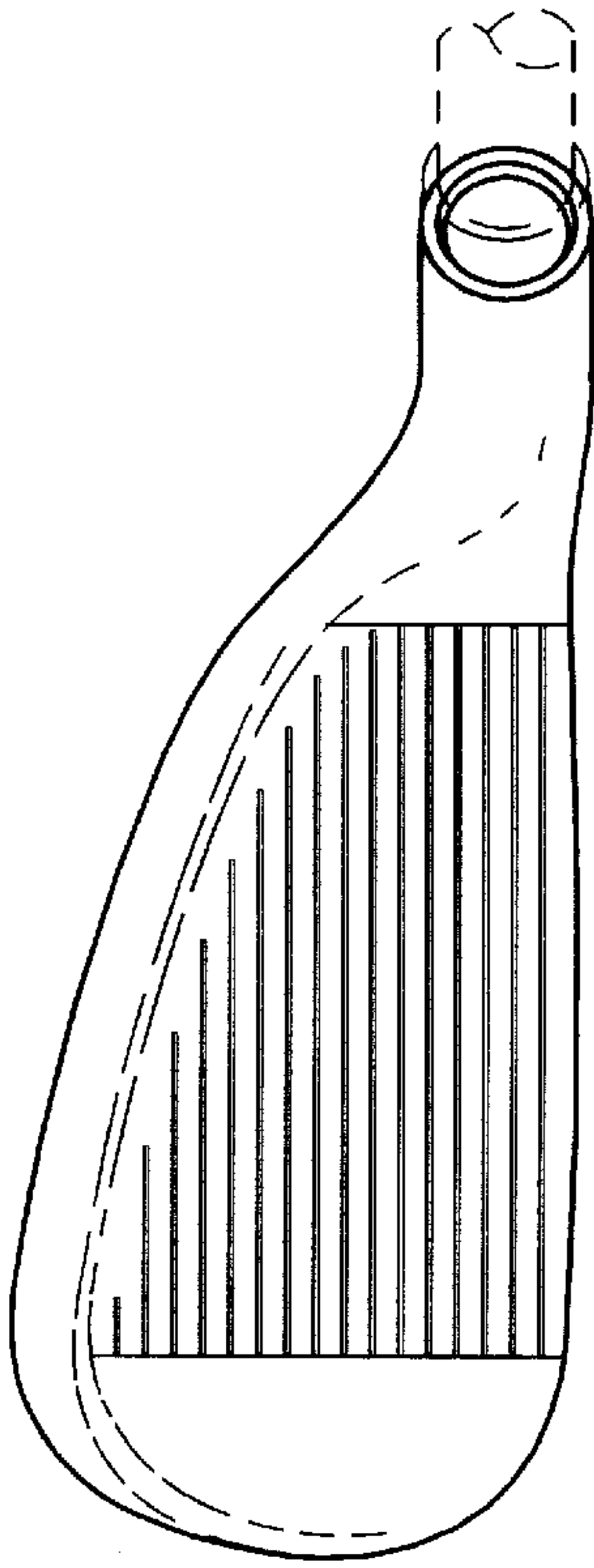


FIG. 108

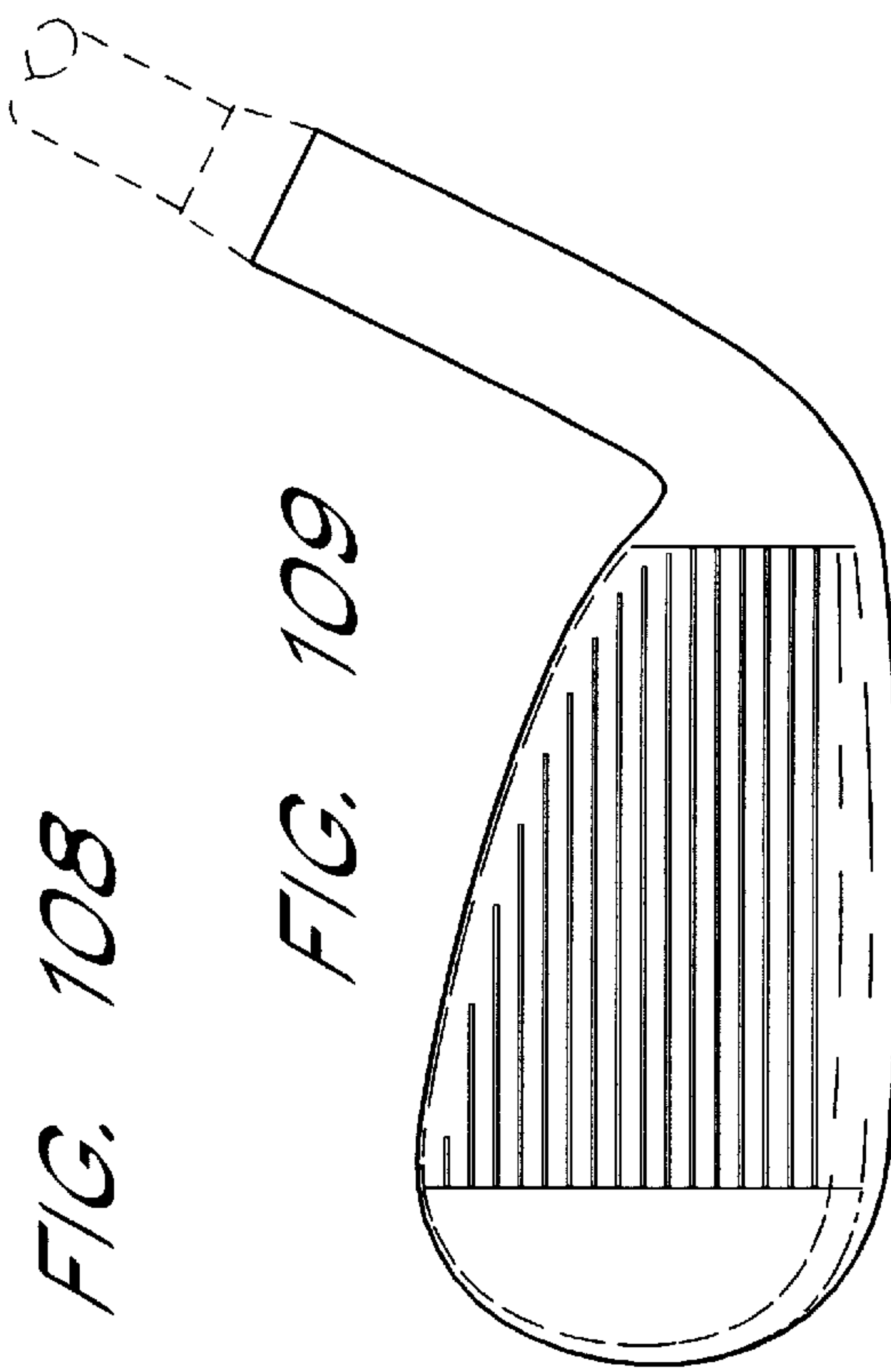


FIG. 109

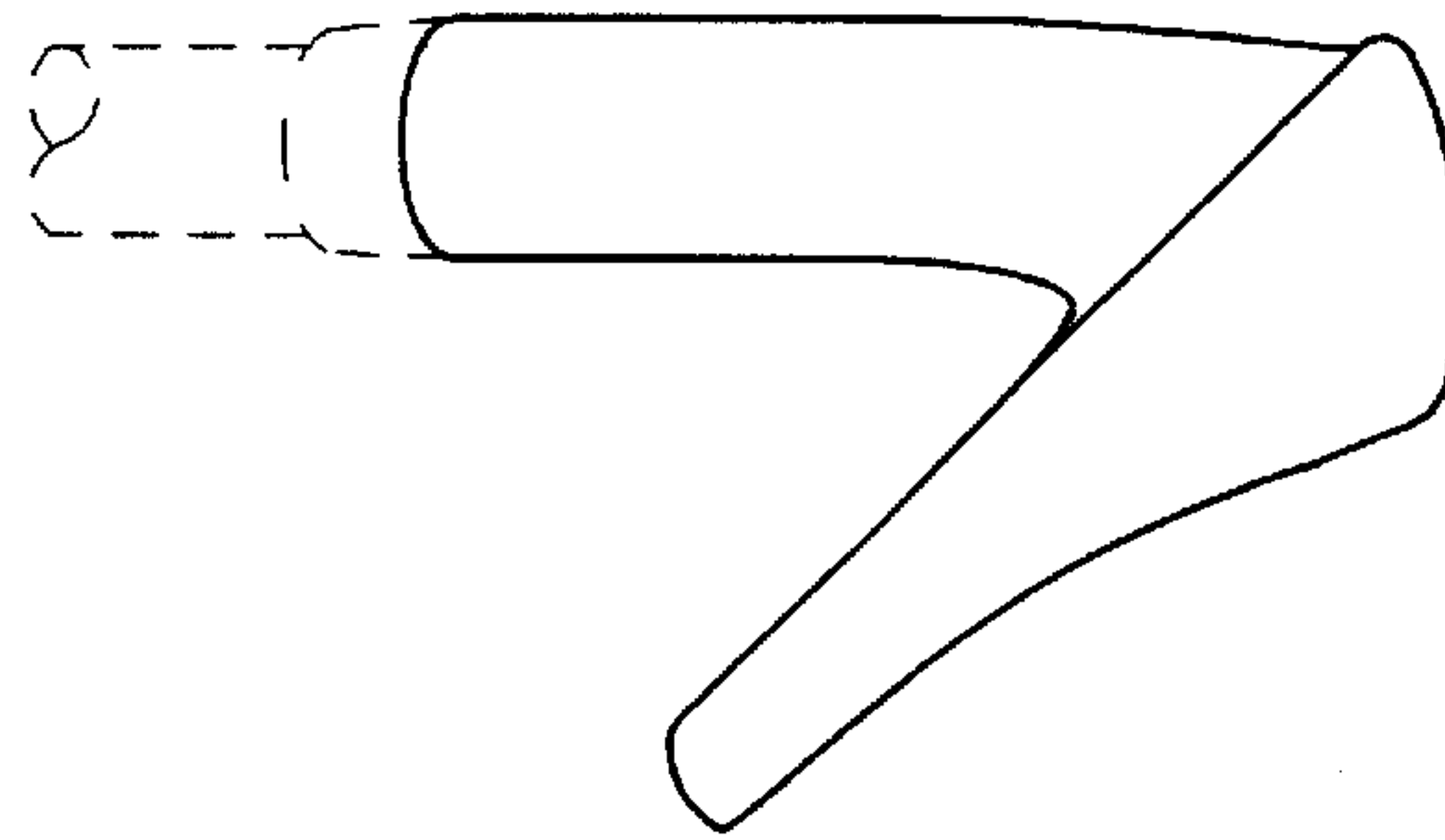


FIG. 111

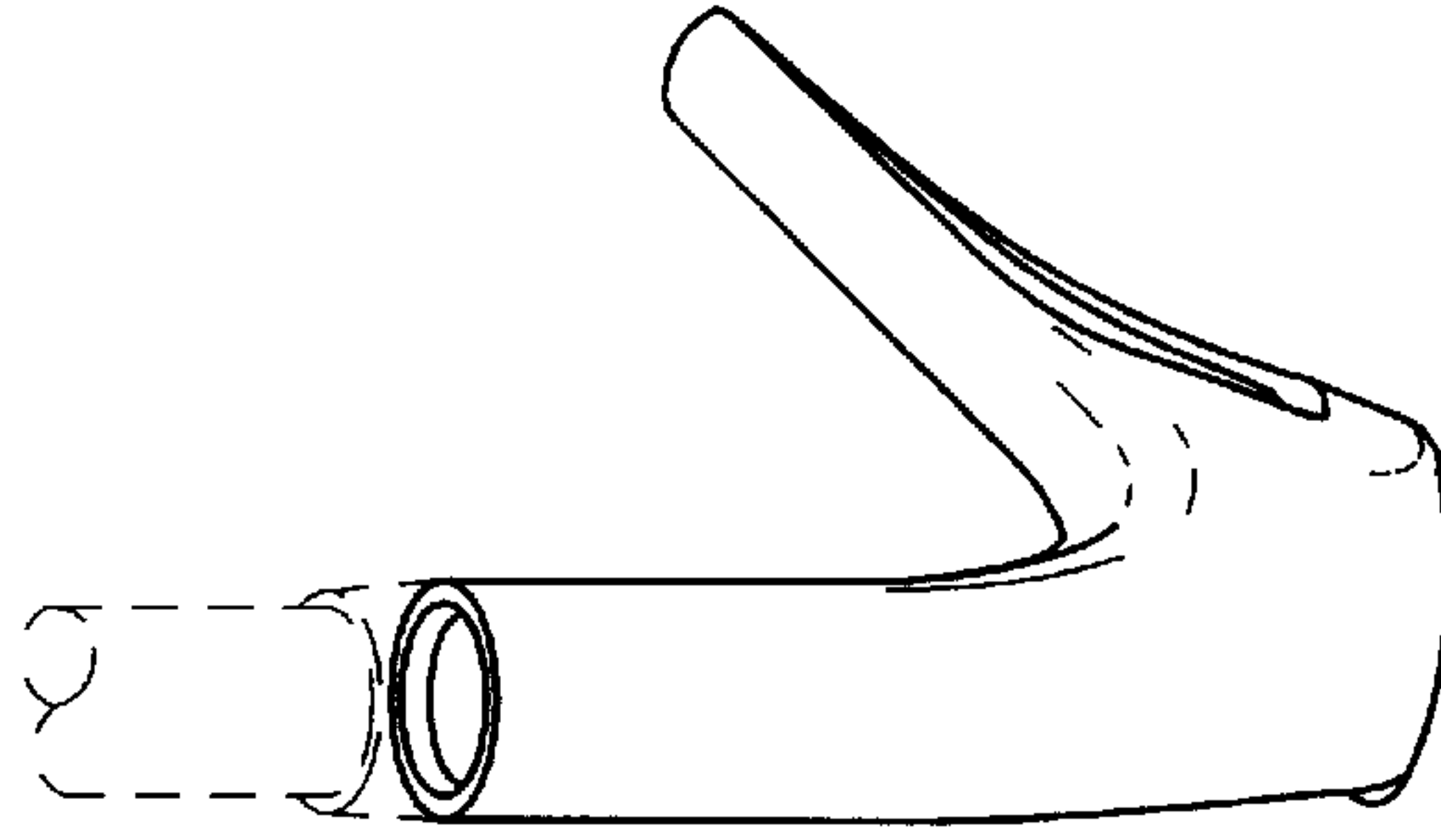


FIG. 112

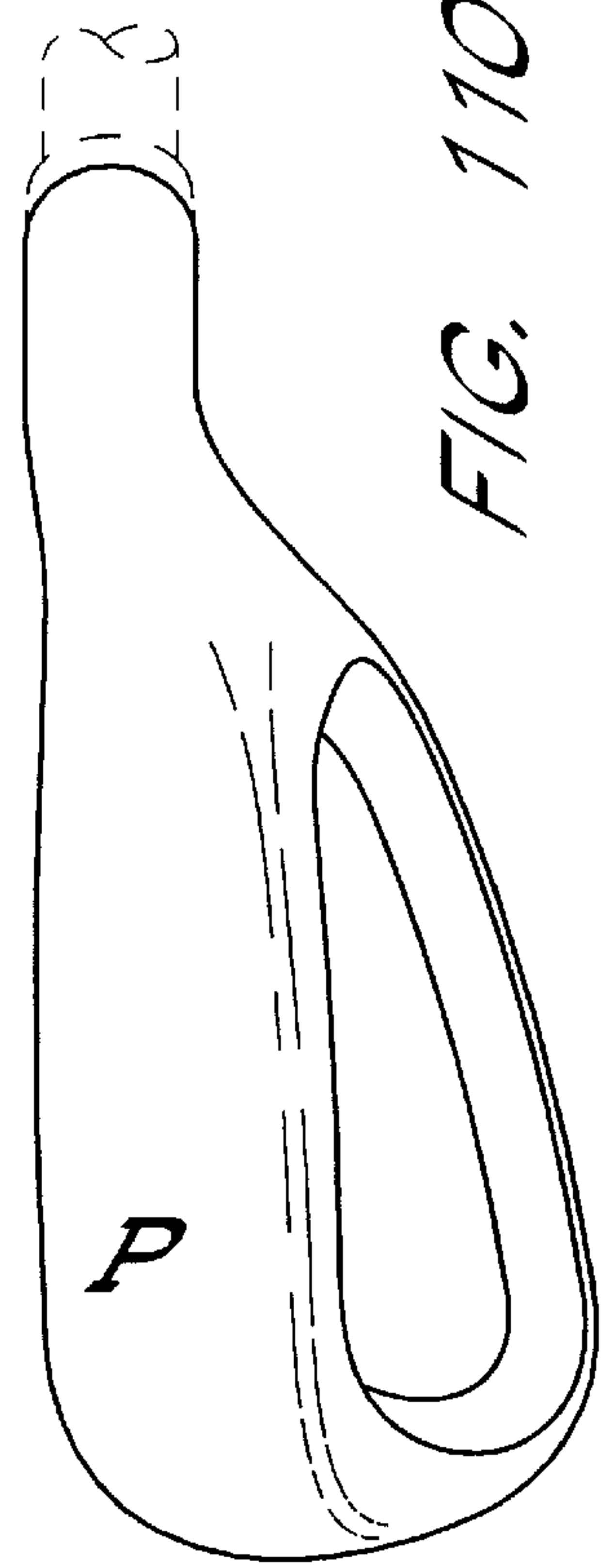


FIG. 110