



US00D428631S

United States Patent [19] Stein

[11] **Patent Number: Des. 428,631**
[45] **Date of Patent: ** Jul. 25, 2000**

[54] **EXERCISER FOR THE MUSCLES OF THE PELVIS**

5,399,138 3/1995 Jones 482/126
5,507,712 4/1996 Chang 482/127
5,674,164 10/1997 Kravitz 482/121

[76] Inventor: **Daniel S. Stein**, P.O. Box 49072, St. Petersburg, Fla. 33743

Primary Examiner—Philip S. Hyder
Attorney, Agent, or Firm—Pettis & Van Royen, P.A.

[**] Term: **14 Years**

[57] CLAIM

[21] Appl. No.: **29/112,978**

The ornamental design for an exerciser for the muscles of the pelvis, as shown and described.

[22] Filed: **Oct. 28, 1999**

DESCRIPTION

[51] **LOC (7) Cl.** **21-02**

[52] **U.S. Cl.** **D21/692; D21/662; D21/684**

[58] **Field of Search** D21/692, 684,
D21/662; 482/121, 122, 124, 126, 127,
128

FIG. 1 is a perspective view of the exerciser for the muscles of the pelvis of this invention;

FIG. 2 is a top plan view thereof and a bottom plan view thereof which is identified thereto;

FIG. 3 is a left side elevational view thereof, the right side elevational view being a mirror image thereof;

FIG. 4 is a front elevational view thereof; and,

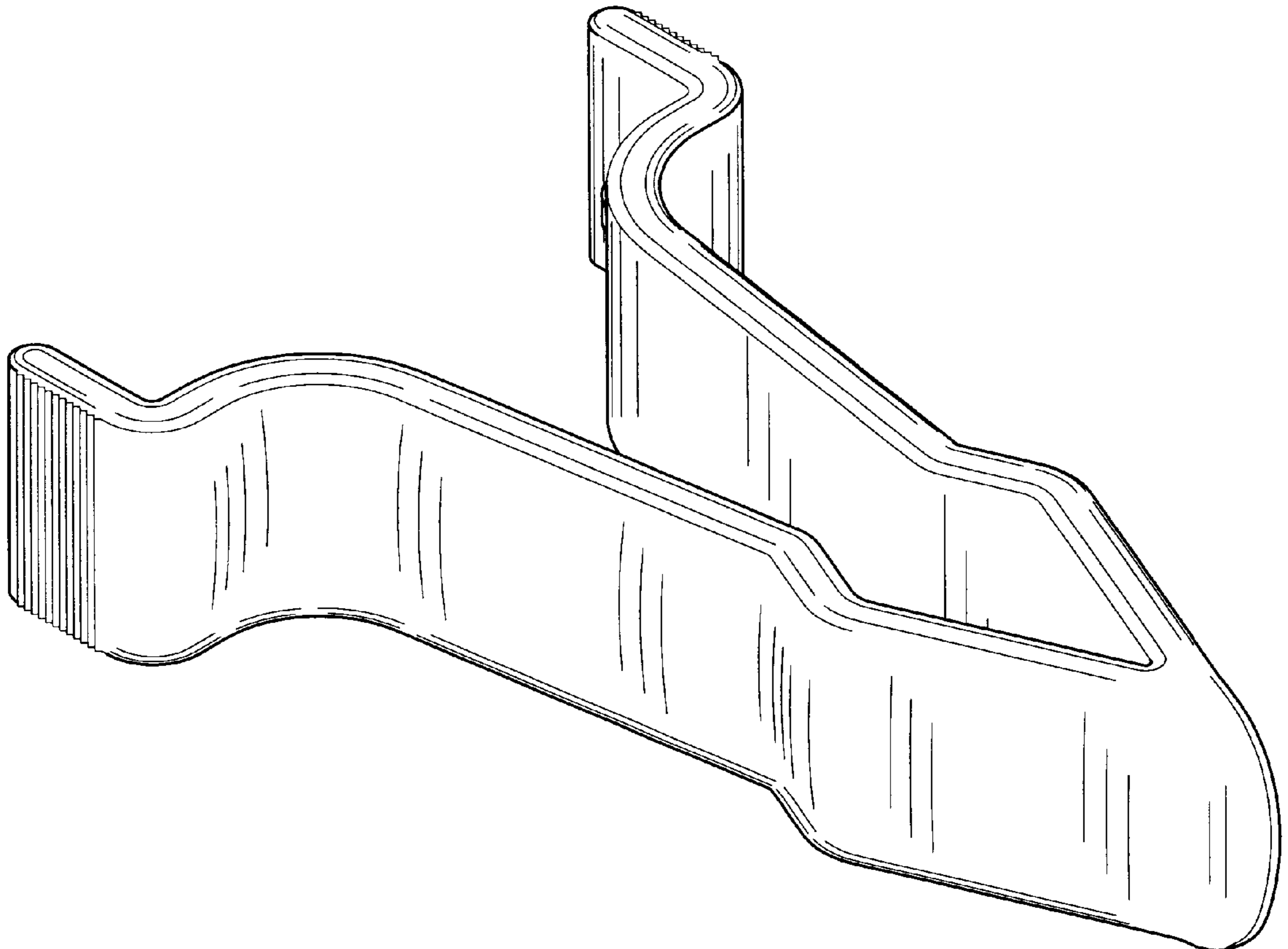
FIG. 5 is a rear elevational view thereof.

[56] References Cited

U.S. PATENT DOCUMENTS

D. 281,802 12/1985 Gordon D21/684
5,026,050 6/1991 Leung et al. 482/126
5,246,413 9/1993 Koblick 482/126

1 Claim, 2 Drawing Sheets



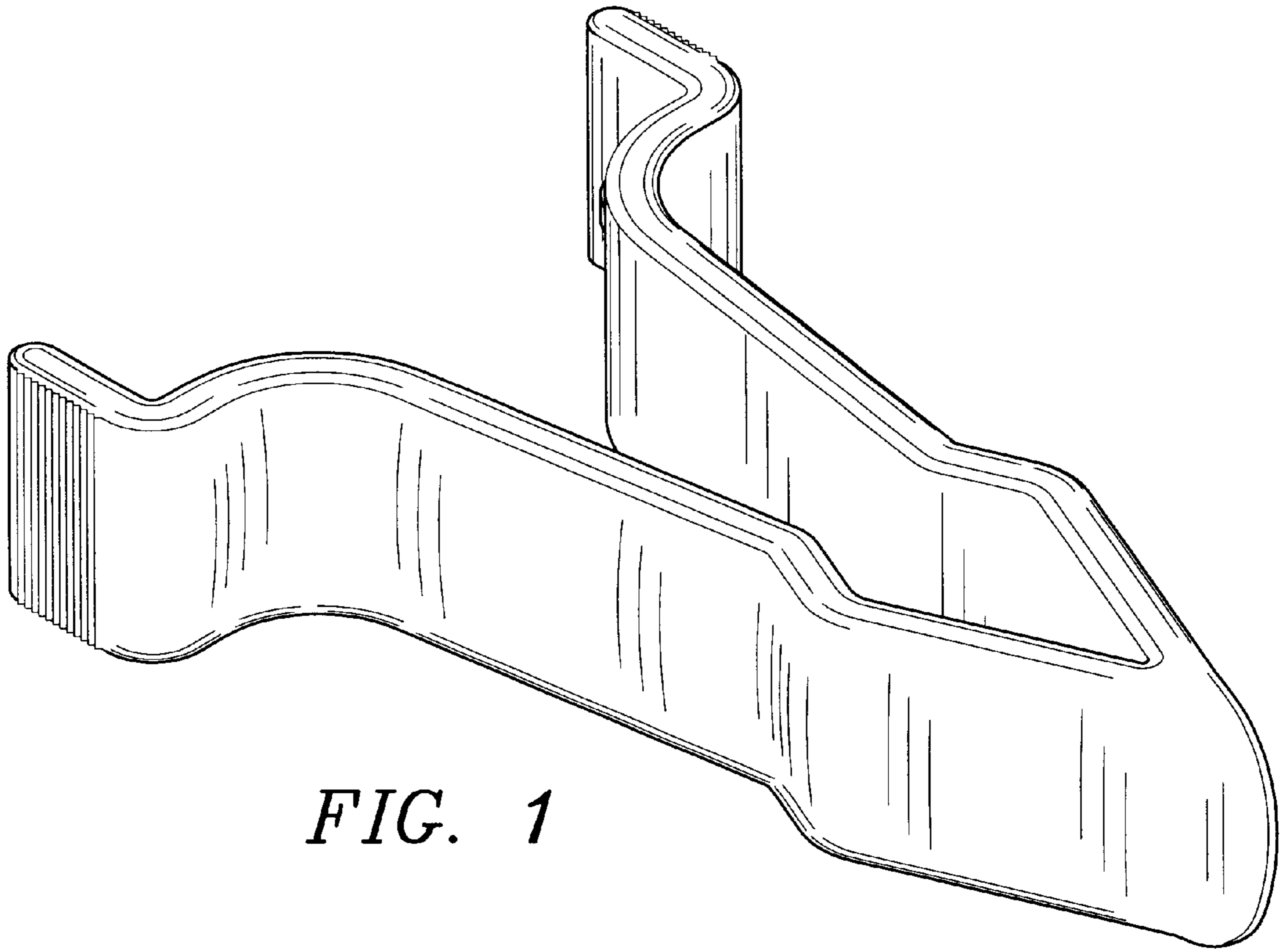


FIG. 1

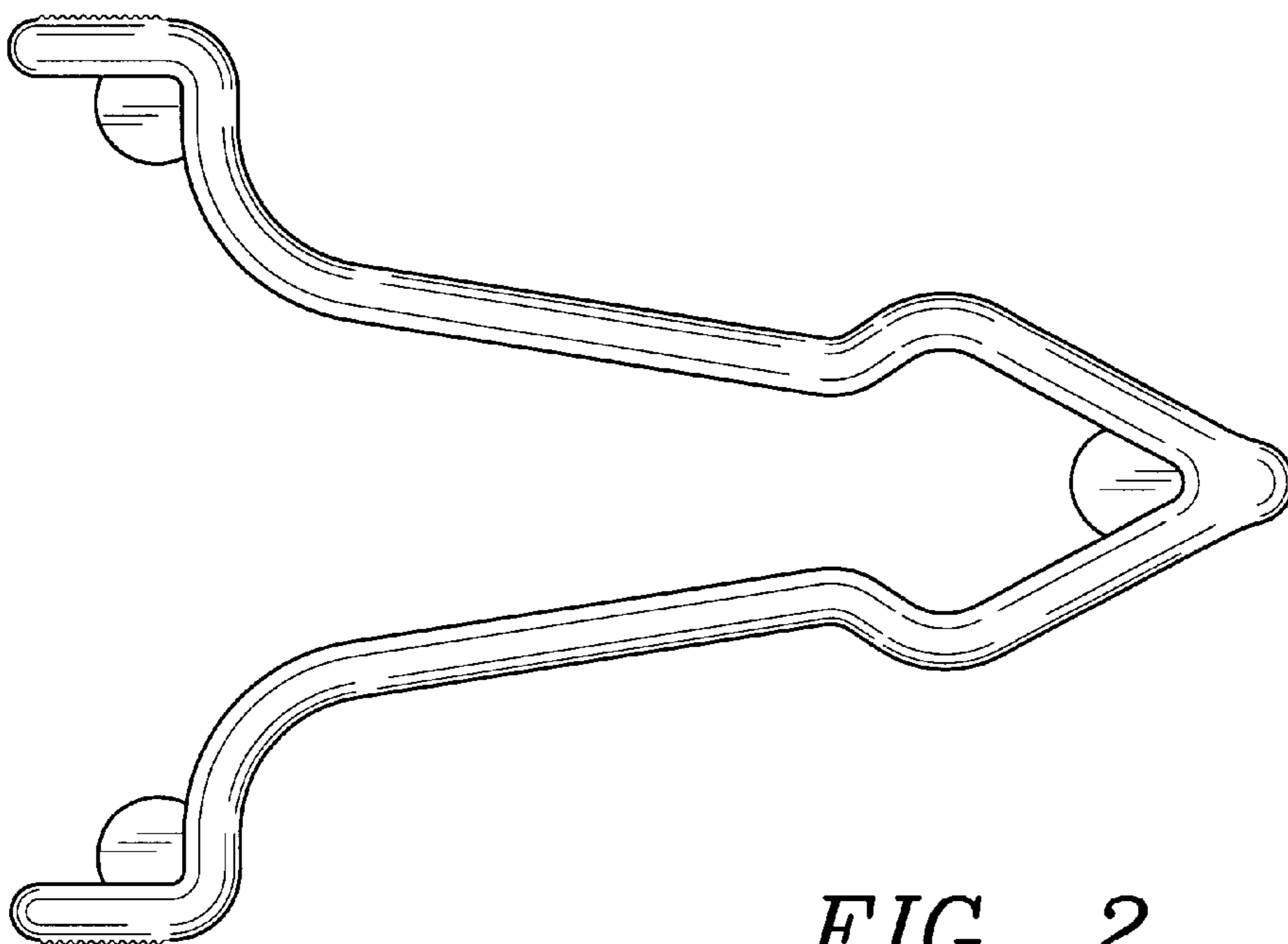


FIG. 2

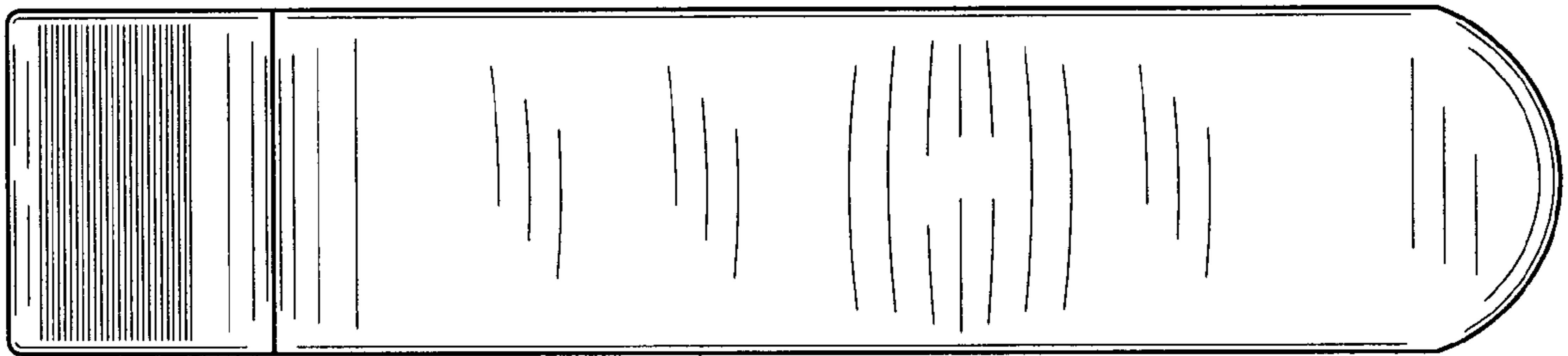


FIG. 3

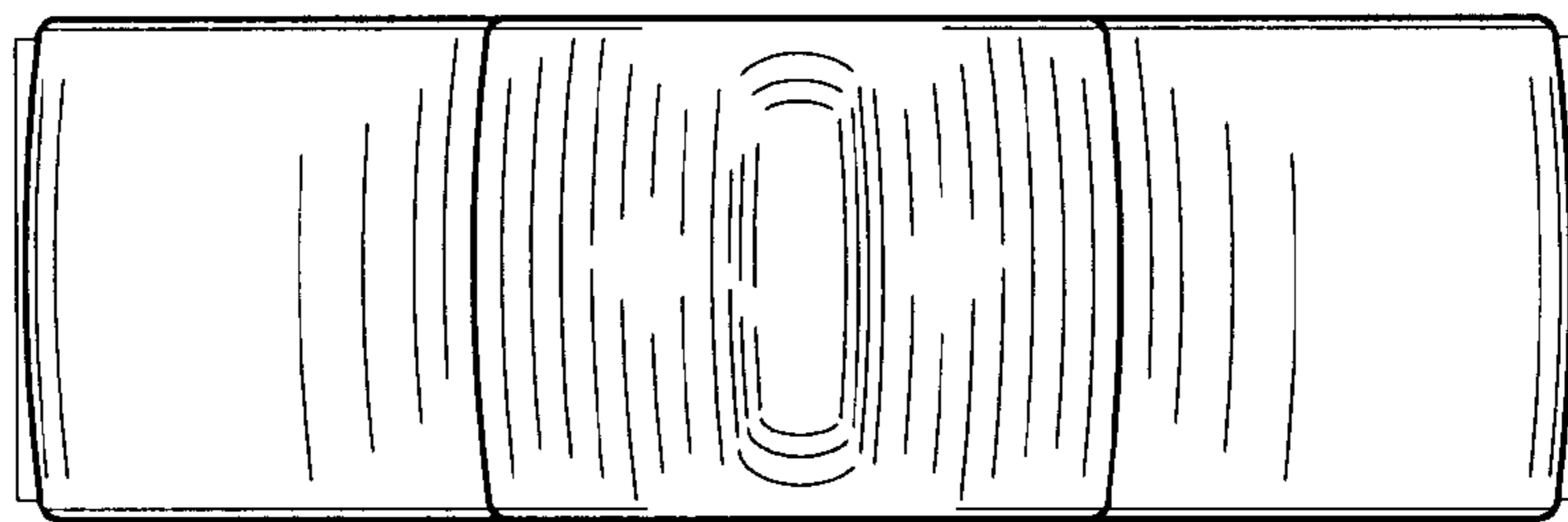


FIG. 4

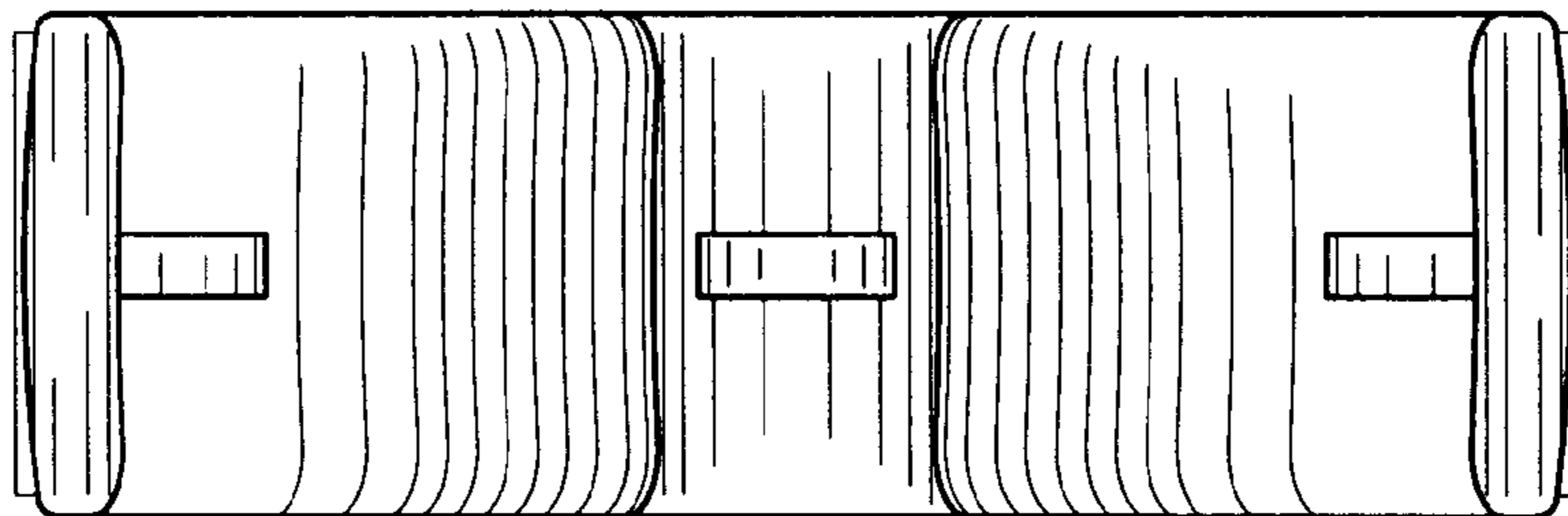


FIG. 5